



US00D478755S

(12) **United States Design Patent**
Moore

(10) **Patent No.:** **US D478,755 S**

(45) **Date of Patent:** **** Aug. 26, 2003**

(54) **BATH ACCESSORY POST**

(75) Inventor: **Glenn D Moore**, Pompton Lakes, NJ
(US)

(73) Assignee: **Bath Unlimited, Inc.**, Passaic, NJ (US)

(**) Term: **14 Years**

(21) Appl. No.: **29/160,510**

(22) Filed: **May 9, 2002**

(51) **LOC (7) Cl.** **23-02**

(52) **U.S. Cl.** **D6/524; D6/550**

(58) **Field of Search** D6/546-50, 518,
D6/522-24; D8/300, 303, 315-21, 354,
363, 373, 380; 108/28-29; 211/13.1, 16,
60.1, 86.01, 87.01, 88.01, 88.04, 100, 105.1-105.2,
119.003, 123, 126.1, 133.6, 134, 181.1,
182; 248/175, 176.1, 200, 214, 251, 302,
309.1; 16/110.1, 412, 415; 242/570, 590,
595-598; 206/389, 557

(56) **References Cited**

U.S. PATENT DOCUMENTS

D41,956 S * 12/1911 Nelson D6/549

D53,683 S * 8/1919 Jordan D6/549
3,098,240 A * 7/1963 Fleenor 248/251
D337,034 S * 7/1993 Berry, Jr. D8/107
D465,365 S * 11/2002 Moore D6/523
D466,734 S * 12/2002 Moore D6/523

* cited by examiner

Primary Examiner—Brian N. Vinson

(74) *Attorney, Agent, or Firm*—Edgar A. Zarins; Lloyd D. Doigan

(57) **CLAIM**

The ornamental design for a bath accessory post, as shown and described.

DESCRIPTION

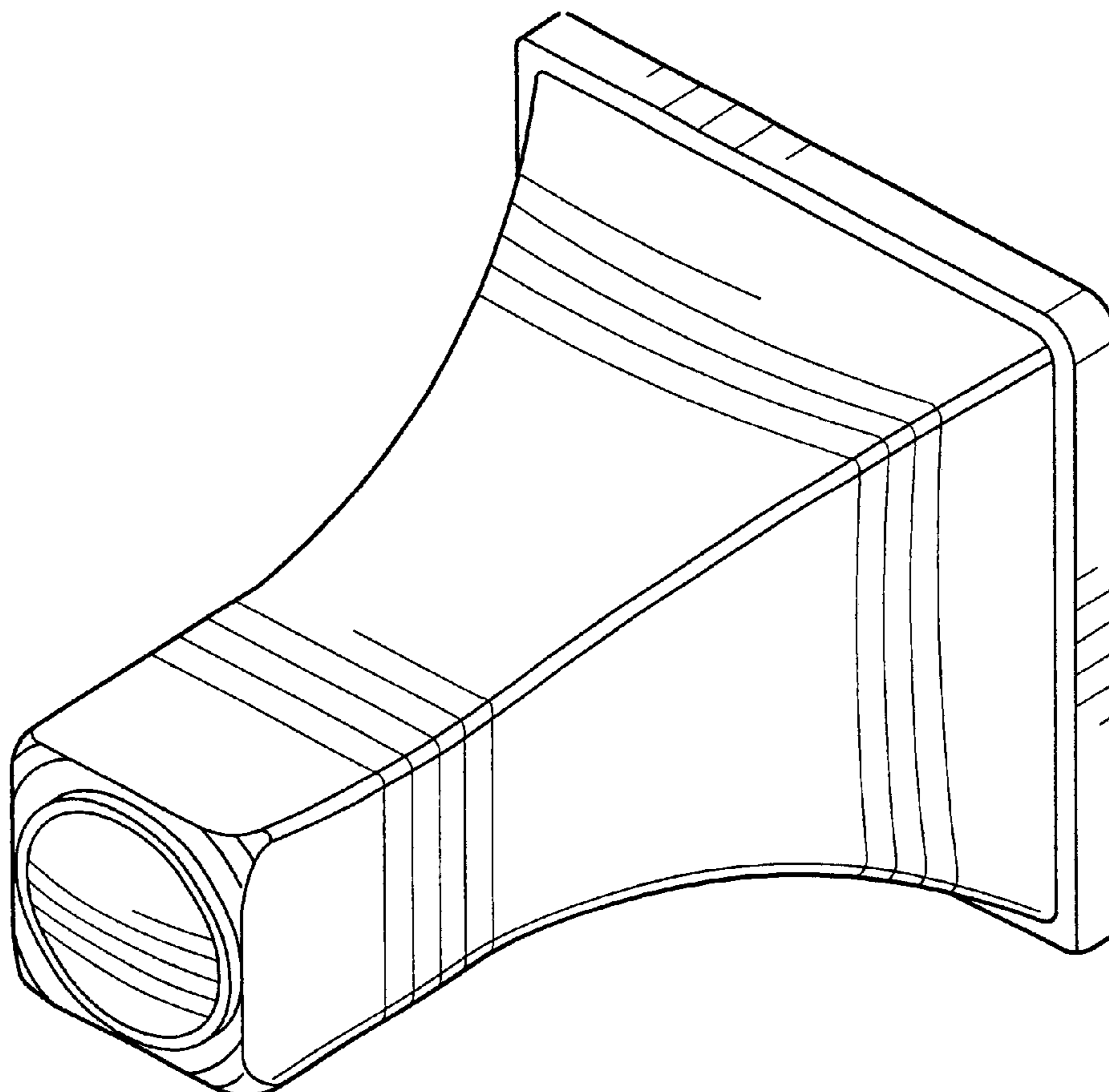
FIG. 1 is a perspective view of a bath accessory post showing my new design;

FIG. 2 is a side view thereof;

FIG. 3 is a front elevational view thereof; and,

FIG. 4 is a rear view thereof.

1 Claim, 2 Drawing Sheets



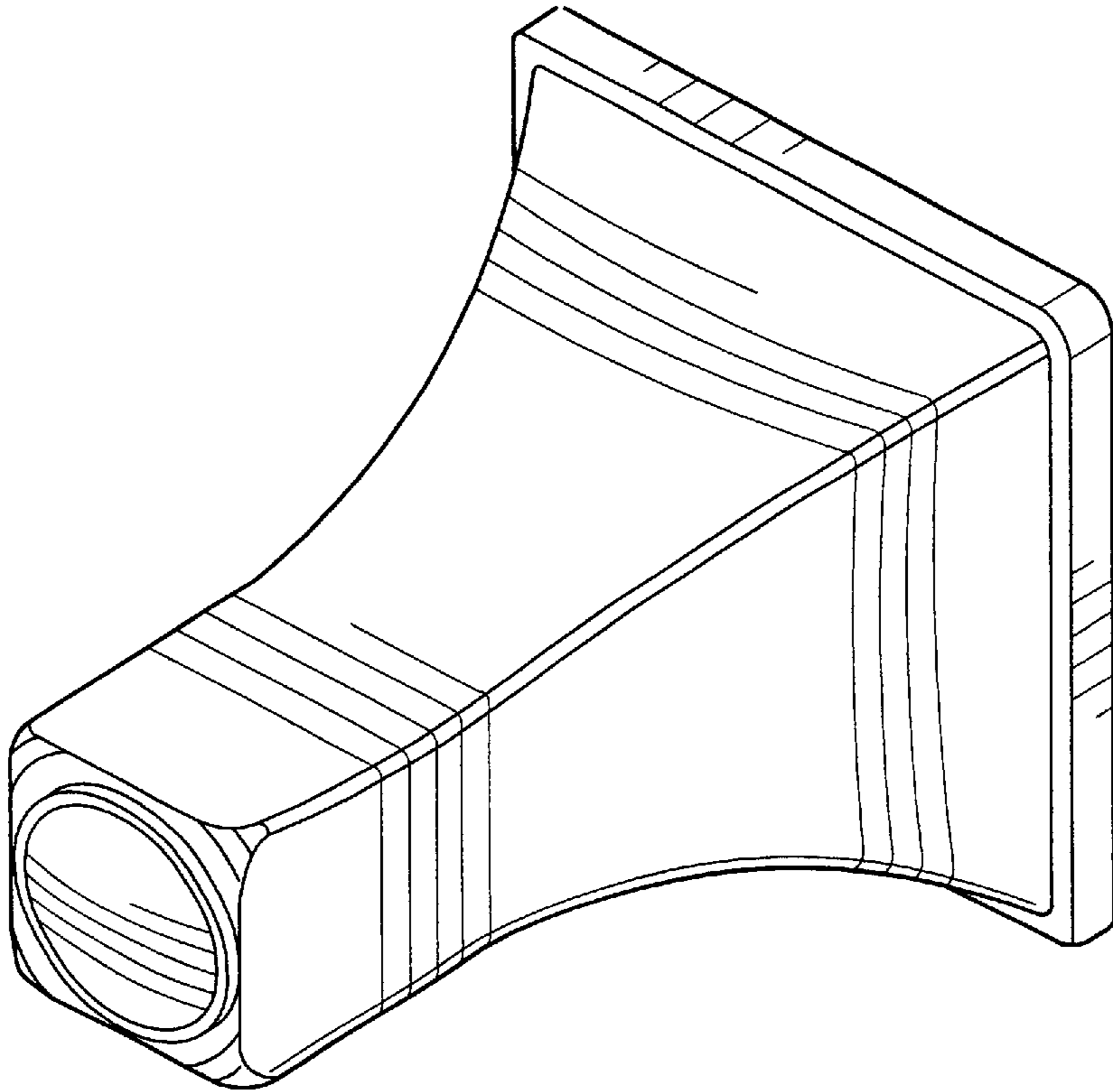


Fig-1

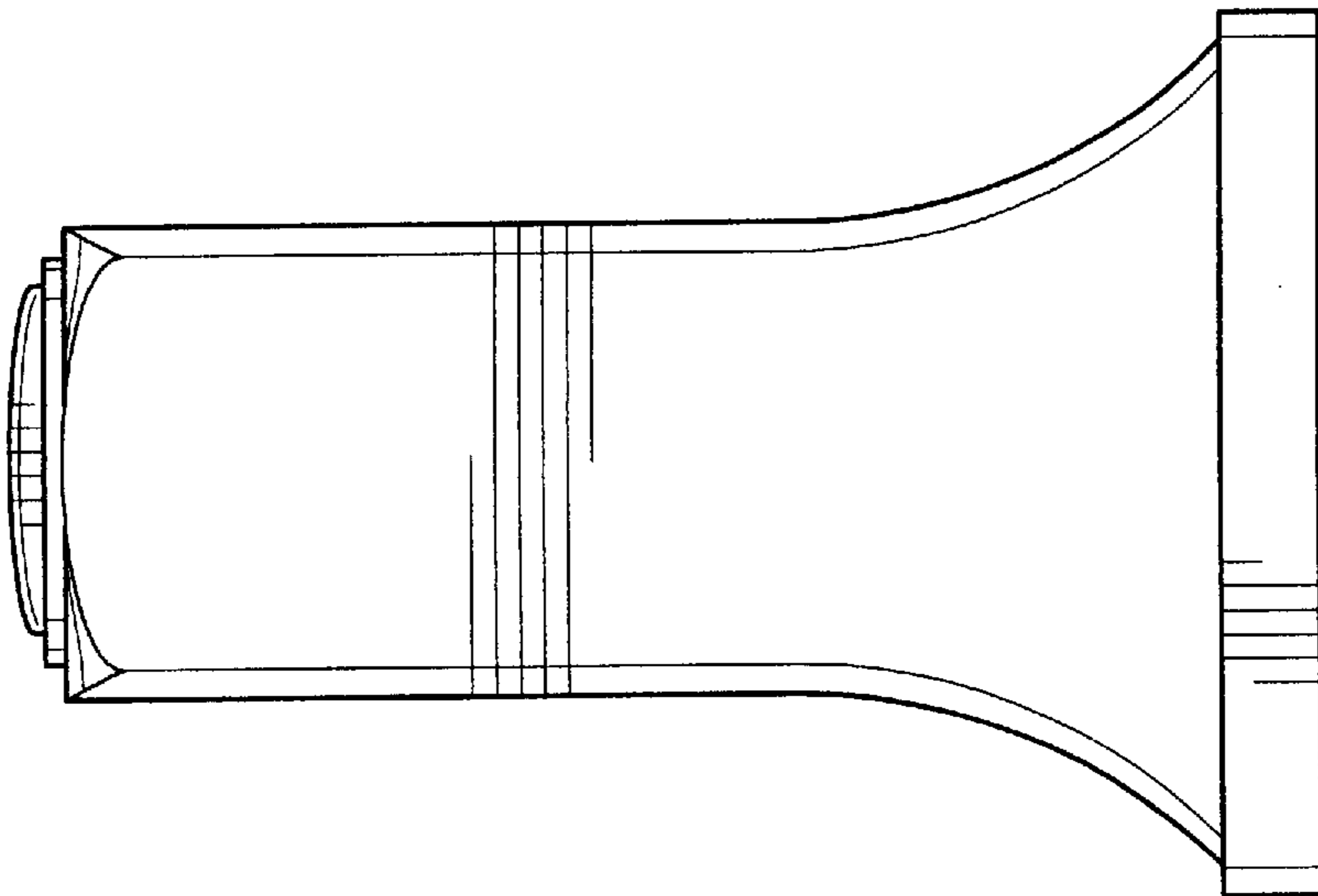


Fig-2

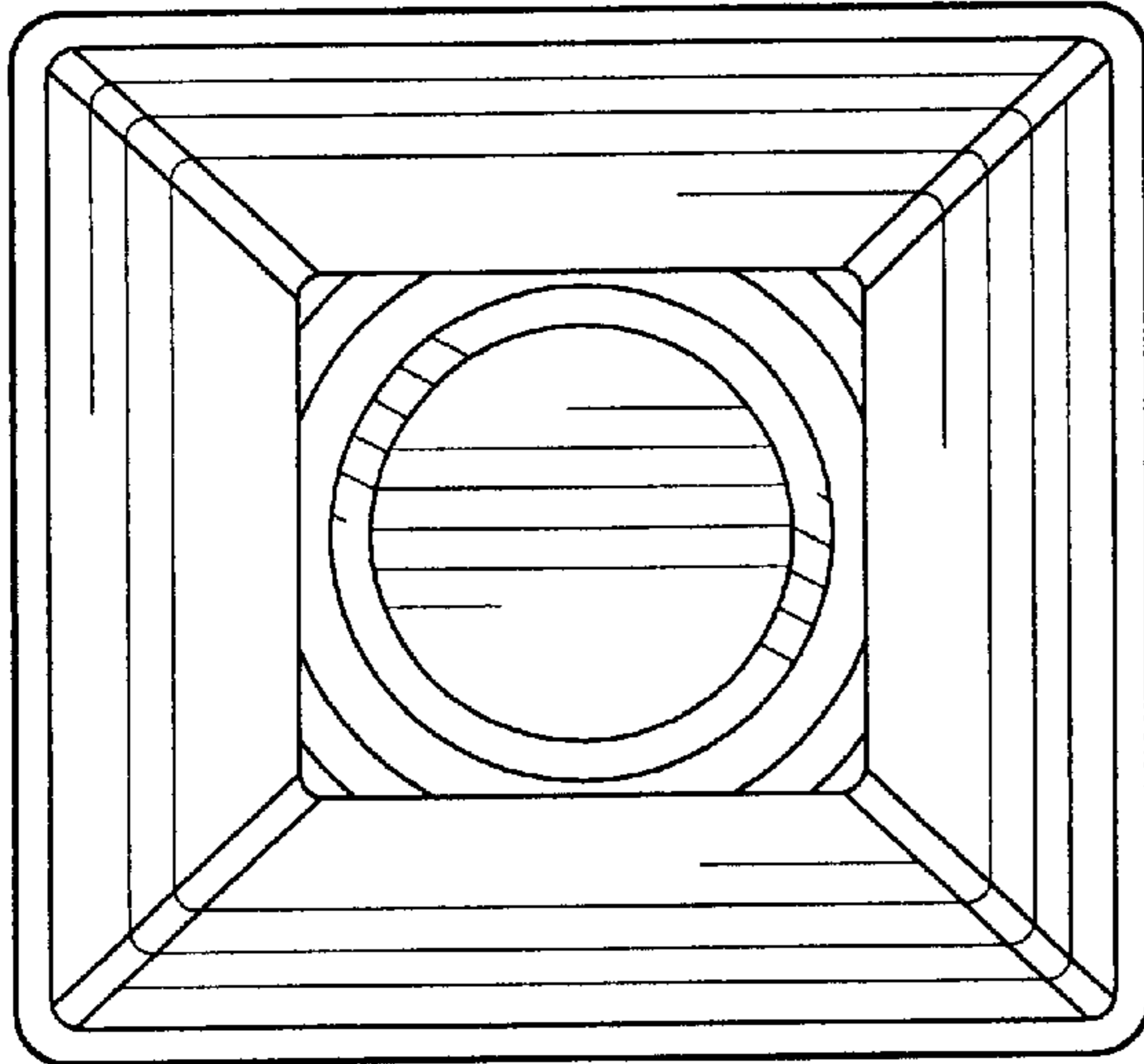


Fig-3

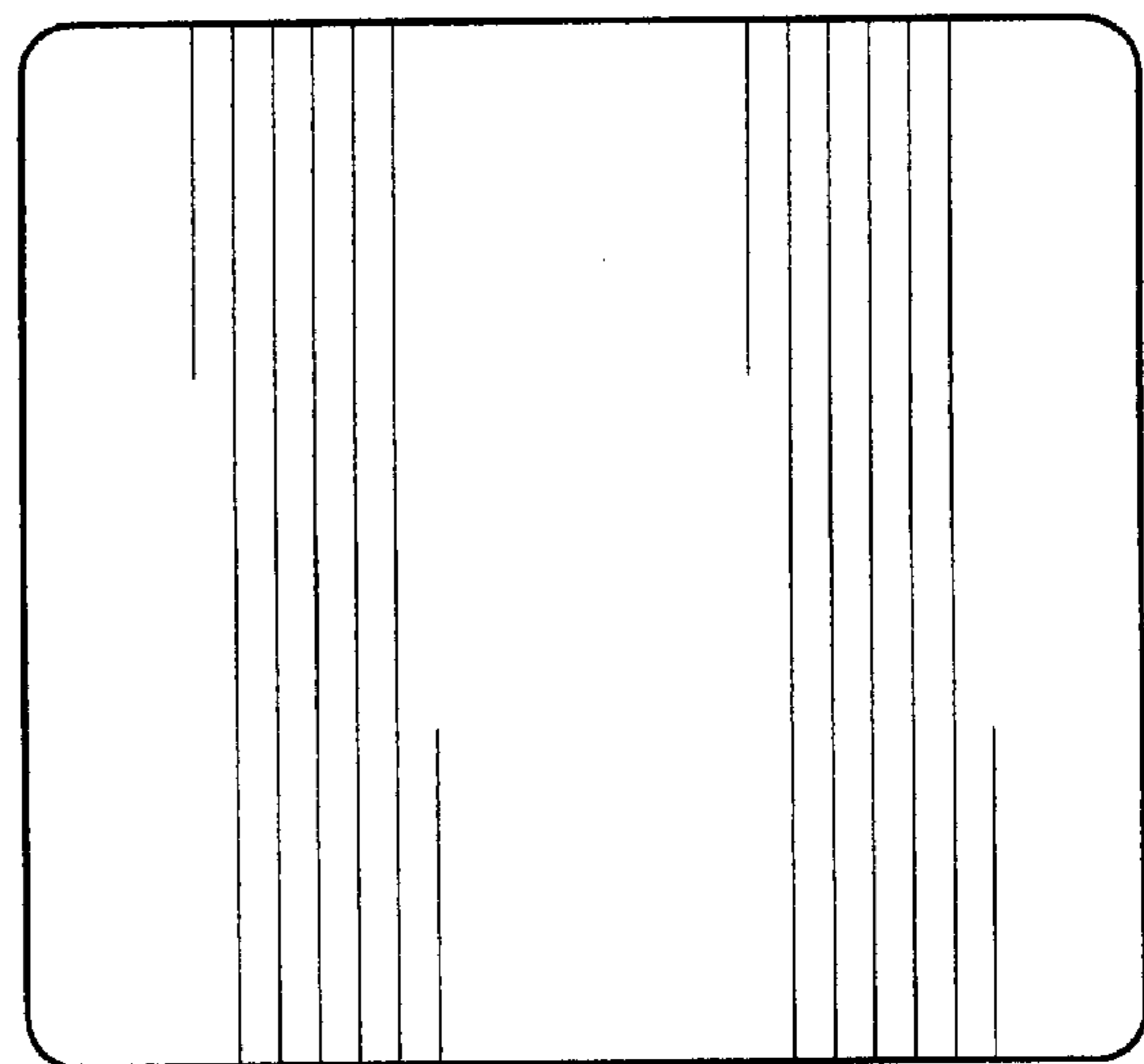


Fig-4