



US00D478753S

(12) **United States Design Patent**  
**Hall et al.**

(10) **Patent No.:** **US D478,753 S**

(45) **Date of Patent:** **\*\* Aug. 26, 2003**

(54) **CAMPER'S/TRAVELER'S TOILET PAPER PROTECTOR WITH SNAP-ON LID**

(76) Inventors: **Eddie C. Hall**, 14104 Rutgers Ave., Orlando, FL (US) 32826; **Kathy M. Hall**, 14104 Rutgers Ave., Orlando, FL (US) 32826

(\*\*) Term: **14 Years**

(21) Appl. No.: **29/174,283**

(22) Filed: **Jan. 16, 2003**

(51) **LOC (7) Cl.** ..... **23-02**

(52) **U.S. Cl.** ..... **D6/523**

(58) **Field of Search** ..... D6/518-523; D3/201; 206/389; 221/45; 242/560; 312/34.8

(56) **References Cited**

**U.S. PATENT DOCUMENTS**

D160,739 S	10/1950	Ransburg	
4,177,958 A	12/1979	Poole	
D257,805 S	1/1981	Havener et al.	
D263,181 S	3/1982	Thompson	
D277,714 S	2/1985	Noble	
4,615,442 A	* 10/1986	Beeken	..... 206/389 X

D294,789 S	3/1988	Nunnally	
D319,552 S	* 9/1991	Christensen	..... D6/520
D327,798 S	7/1992	Addison et al.	
D403,190 S	* 12/1998	Turner	..... D6/518
D419,012 S	* 1/2000	Wiggins, Jr.	..... D6/520

\* cited by examiner

*Primary Examiner*—Brian N. Vinson

(74) *Attorney, Agent, or Firm*—Donald R. Schoonover

(57) **CLAIM**

We claim the ornamental design for a camper's/traveler's toilet paper protector with snap-on lid, as shown and described.

**DESCRIPTION**

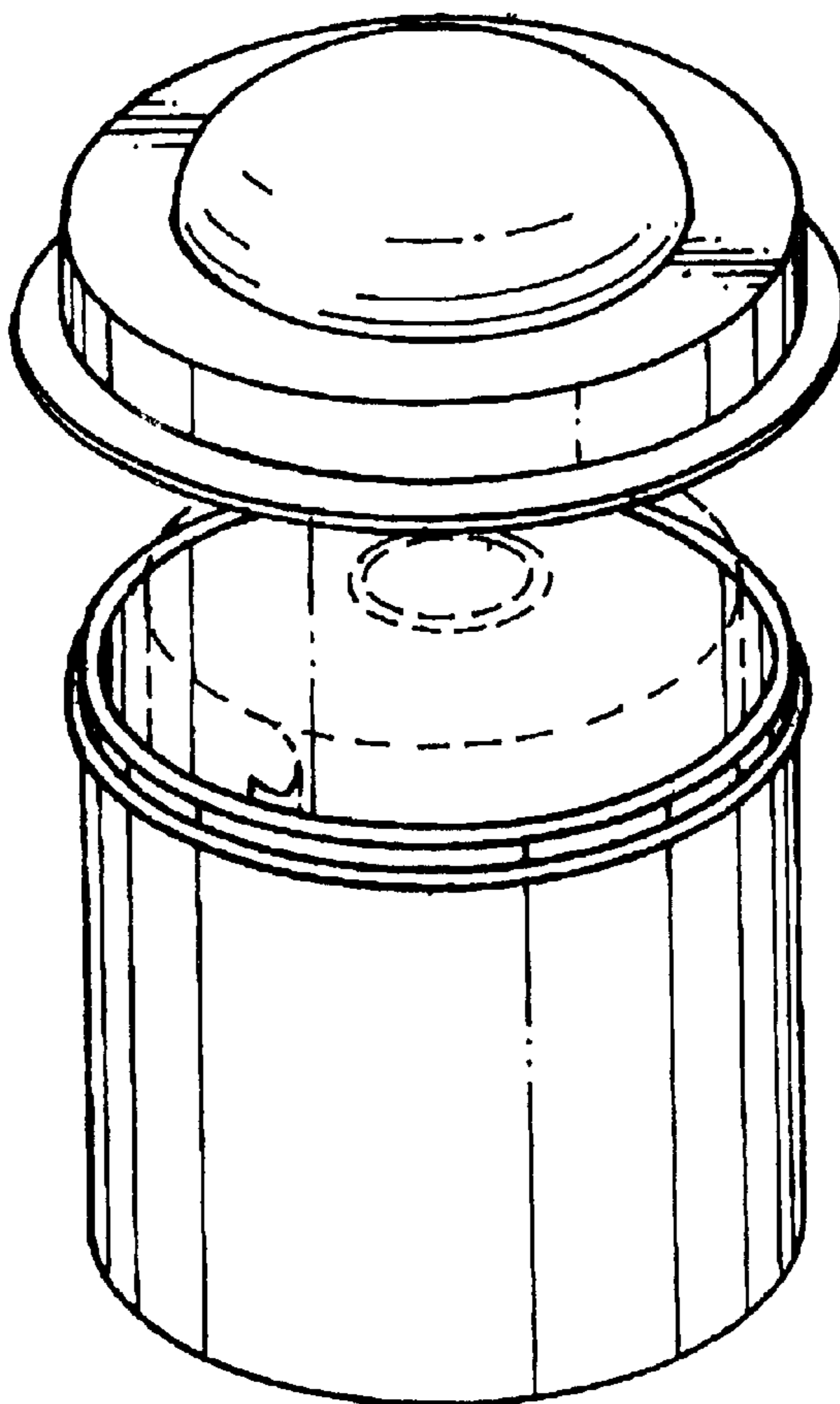
FIG. 1 is a perspective view of a camper's/traveler's toilet paper protector with snap-on lid showing our new design in use; the broken lines depict environmental structure for illustrative purposes only and form no part of the claimed design;

FIG. 2 is a side elevational view thereof, all other side elevational views being identical thereto;

FIG. 3 is a top plan view thereof; and,

FIG. 4 bottom plan view thereof.

**1 Claim, 3 Drawing Sheets**



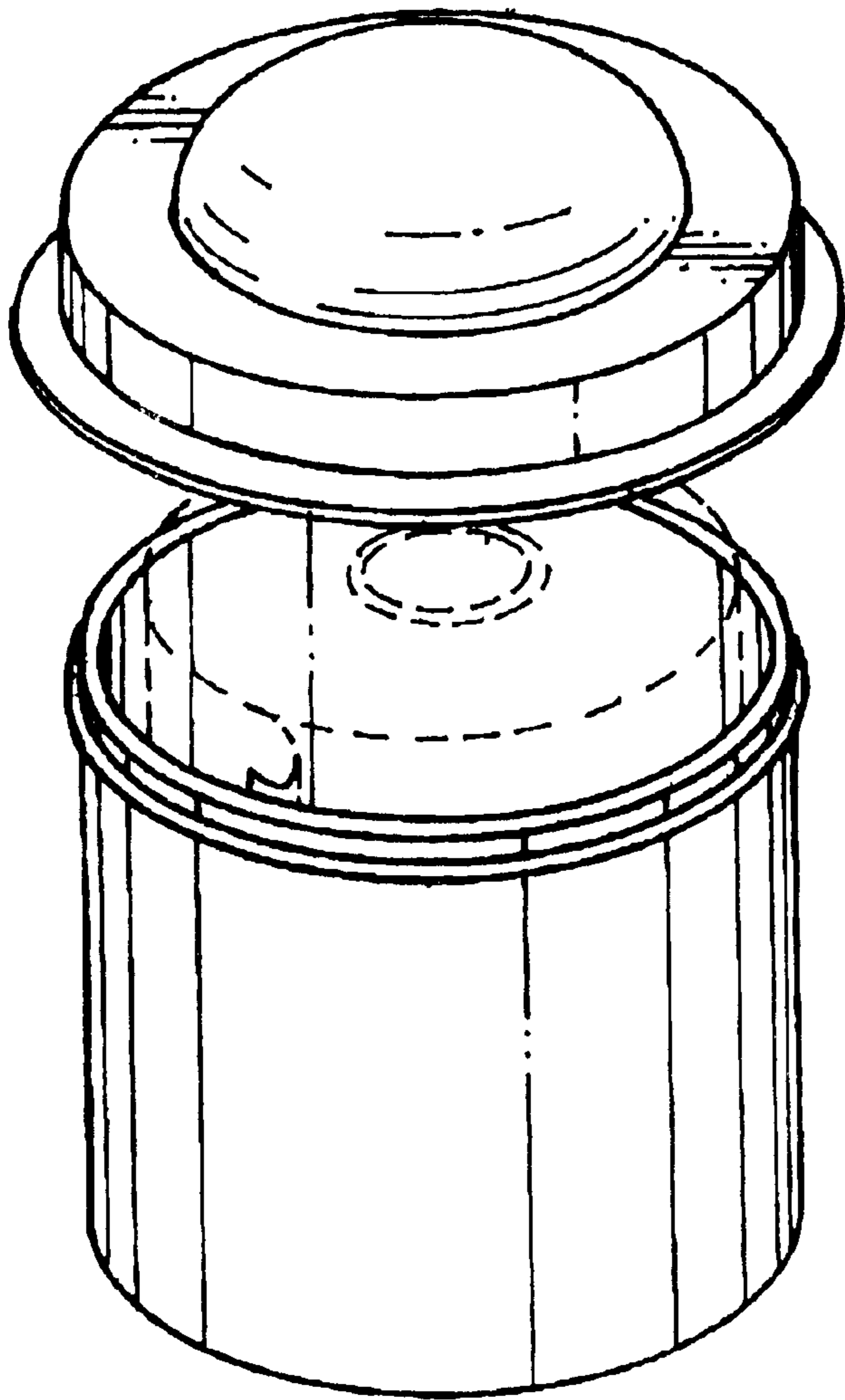


FIG. 1.

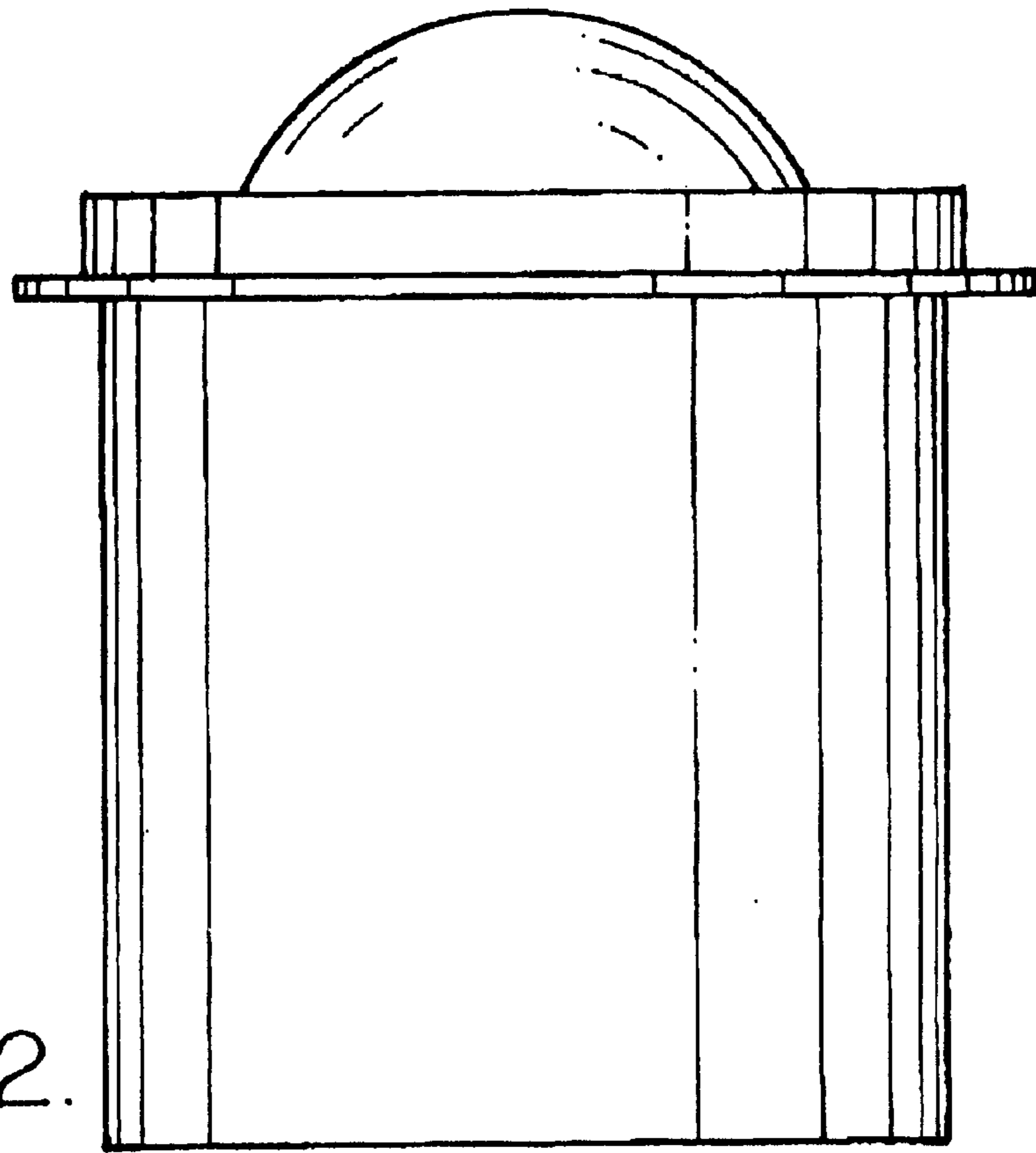


FIG. 2.

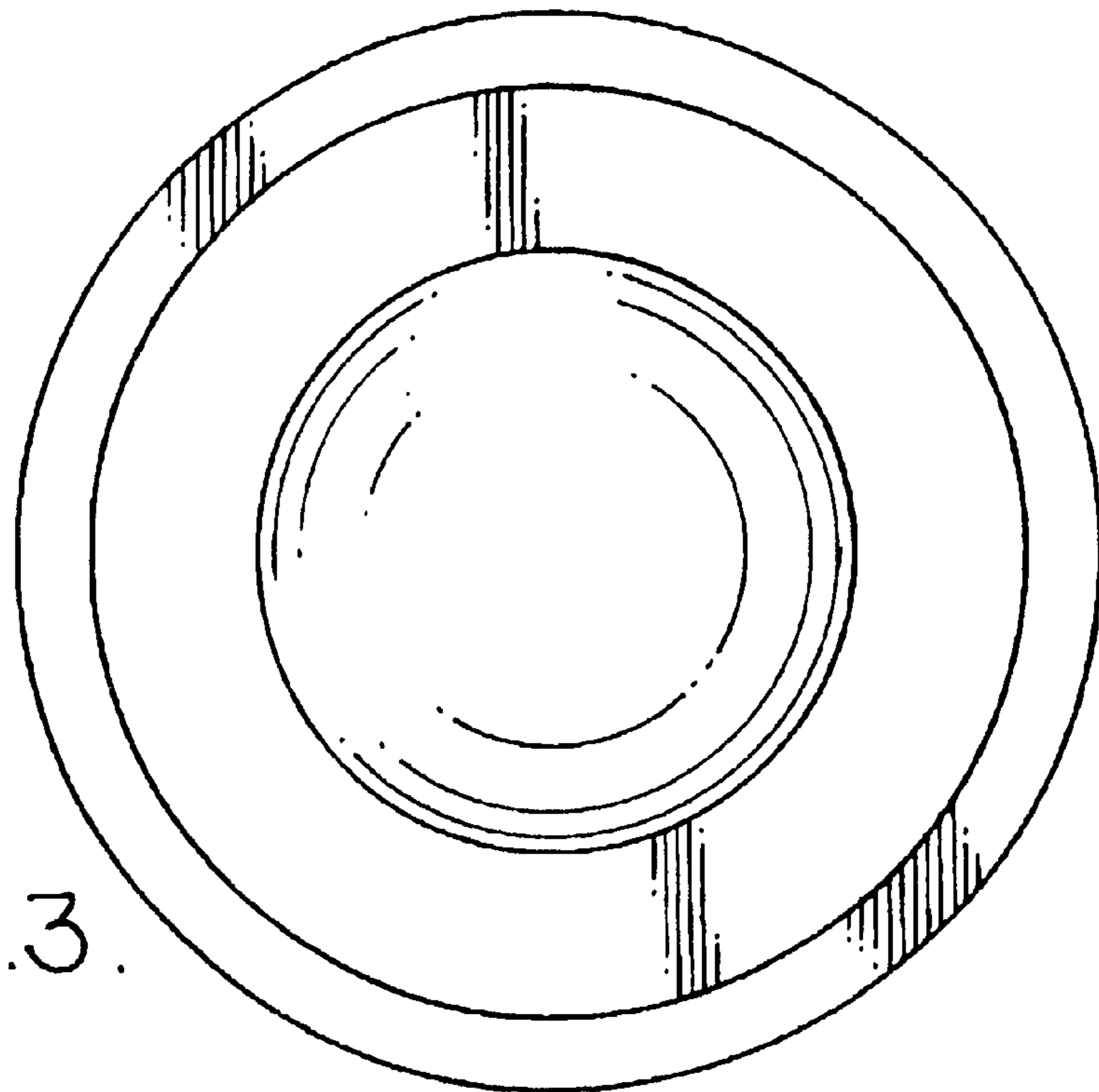


FIG. 3.

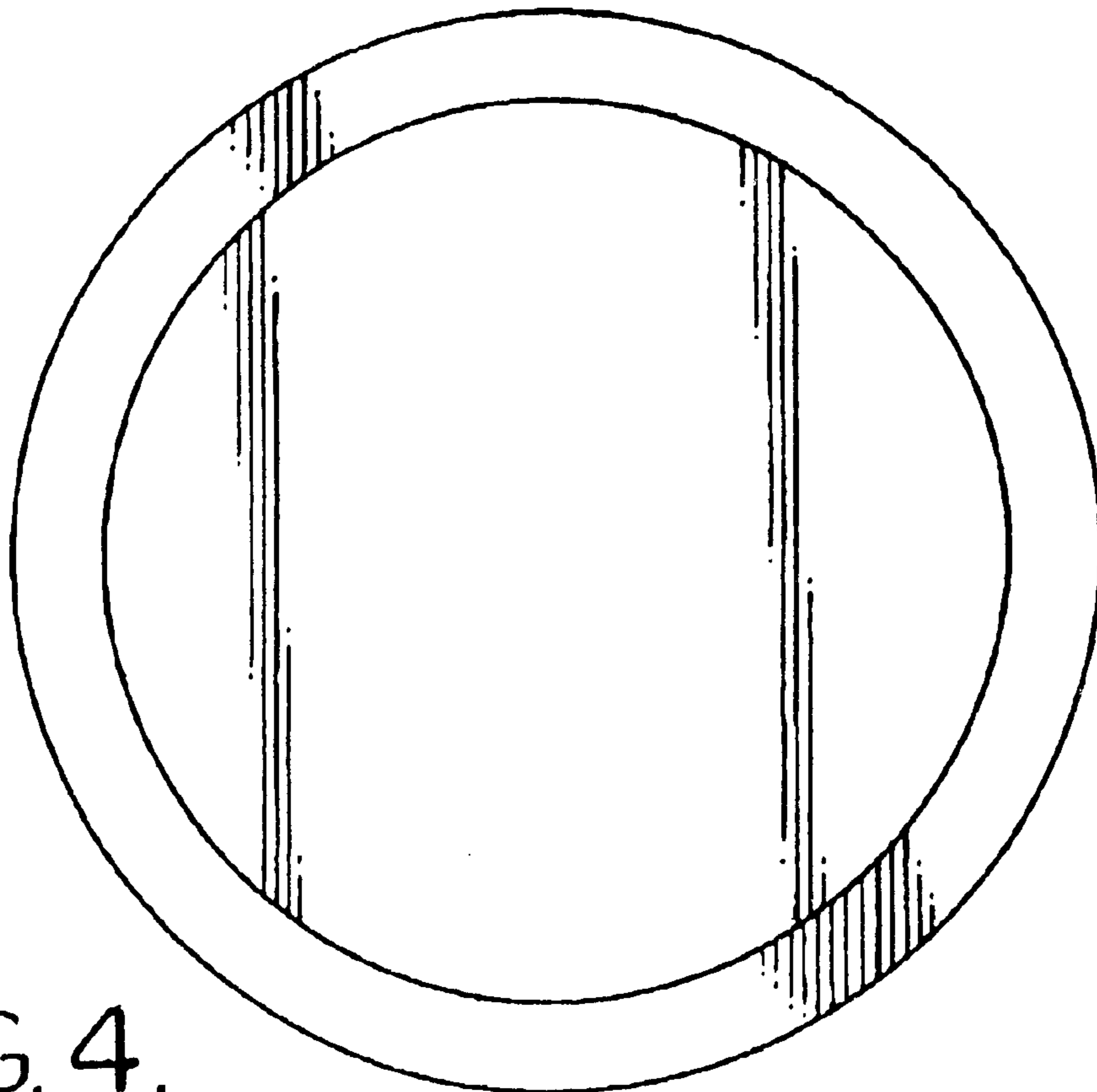


FIG. 4.