



US00D478752S

(12) **United States Design Patent**  
**Gilbert et al.**

(10) **Patent No.:** **US D478,752 S**

(45) **Date of Patent:** **\*\* Aug. 26, 2003**

(54) **SHOWER CHAIR SEAT**  
(75) **Inventors:** **Christopher Jon Gilbert**, Moreland Hills, OH (US); **Jill M. Hunt**, Harvard, IL (US)

(73) **Assignee:** **Moen Incorporated**, North Olmsted, OH (US)

(\*\*) **Term:** **14 Years**

(21) **Appl. No.:** **29/172,357**

(22) **Filed:** **Dec. 10, 2002**

(51) **LOC (7) Cl.** ..... **06-06**

(52) **U.S. Cl.** ..... **D6/502; D6/374**

(58) **Field of Search** ..... D6/334, 335, 336, D6/349, 368, 372, 374, 377, 380, 500-502, 524, 525, 527; D23/303, 304; 297/24, 183.1, 183.7, 338, 445.1, 446.1, 451.11, 452.18, 452.19, 452.21, 452.29, 452.36, 452.38

(56) **References Cited**

**U.S. PATENT DOCUMENTS**

941,544	A	*	11/1909	Skogsberg	.....	4/579
D221,752	S		9/1971	Brewer		
D250,559	S	*	12/1978	Petersen	.....	D6/372
4,941,218	A		7/1990	McCartney		
D350,238	S		9/1994	Ward		
D350,653	S	*	9/1994	Citterio	.....	D6/380
D355,985	S		3/1995	Karten et al.		
5,536,068	A	*	7/1996	Valentor et al.	.....	297/183.1
D375,638	S		11/1996	Dhanapal et al.		
D390,024	S		2/1998	DeJule		
5,740,563	A	*	4/1998	Gaddy	.....	4/579
5,755,489	A	*	5/1998	Rossman et al.	.....	297/338

5,784,728	A		7/1998	Weddendorf et al.		
5,845,962	A		12/1998	Lin		
5,887,297	A	*	3/1999	Sutor	.....	4/578.1
D411,054	S		6/1999	Williams		
5,940,905	A	*	8/1999	Cheng	.....	4/578.1
6,105,183	A	*	8/2000	Bly	.....	4/579
6,122,776	A	*	9/2000	Cheng	.....	4/578.1
D434,253	S		11/2000	Turner et al.		
6,182,304	B1	*	2/2001	Freeberg	.....	4/560.1
D439,429	S		3/2001	Higgs et al.		
D439,452	S	*	3/2001	Turner et al.	.....	D6/502
6,340,205	B1	*	1/2002	Battiston	.....	297/24
D455,571	S		4/2002	Van De Riet et al.		

\* cited by examiner

*Primary Examiner*—Doris V. Coles

*Assistant Examiner*—Mimosa De

(74) *Attorney, Agent, or Firm*—Cook, Alex, McFarron, Manzo, Cummings & Mehler, Ltd.

(57) **CLAIM**

The ornamental design for a shower chair seat, as shown and described.

**DESCRIPTION**

FIG. 1 is a perspective view of our new design for a shower chair seat.

FIG. 2 is a top plan view.

FIG. 3 is a bottom plan view.

FIG. 4 is a right side elevation view.

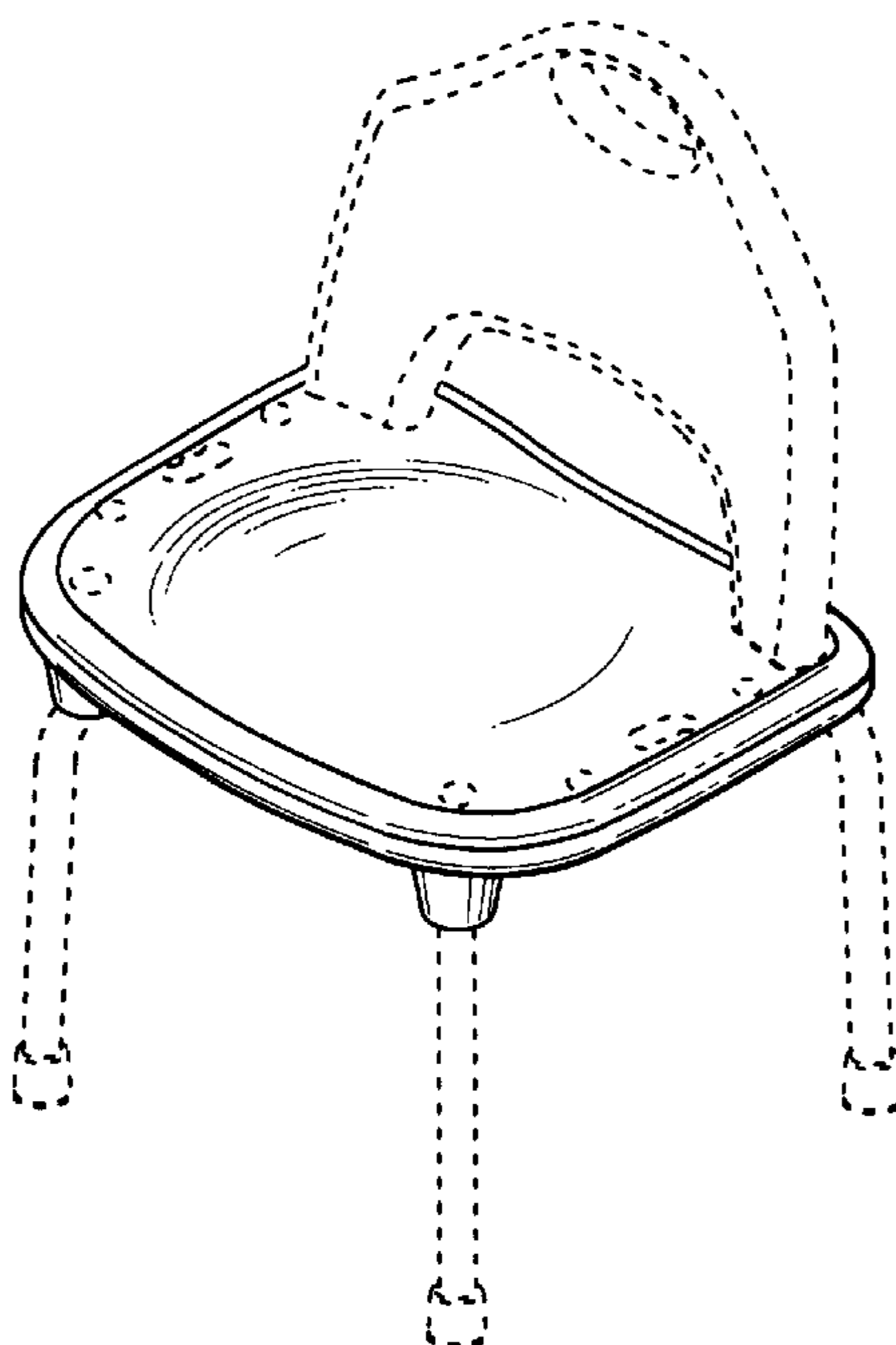
FIG. 5 is a rear elevation view.

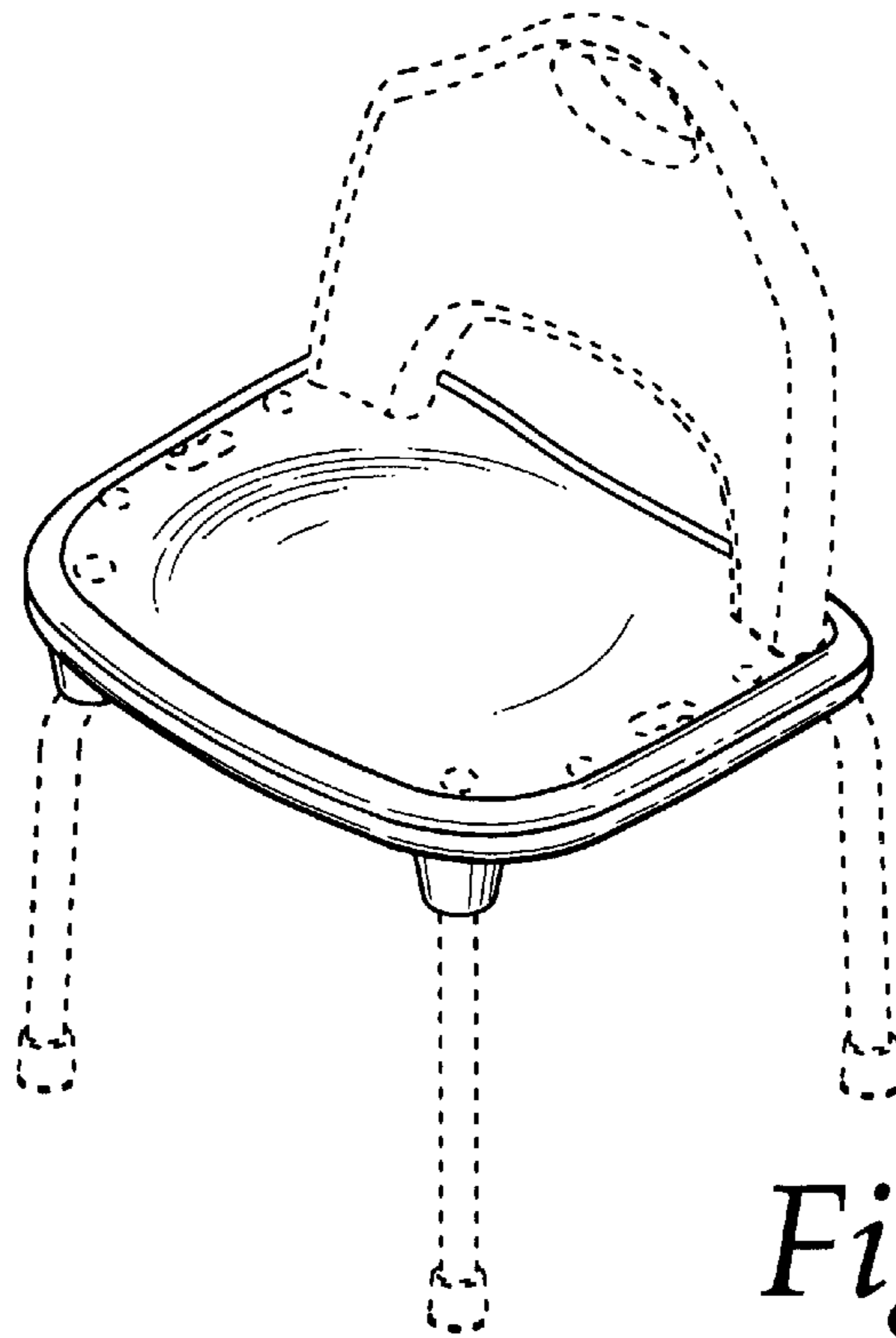
FIG. 6 is a left side elevation view; and,

FIG. 7 is a front elevation view.

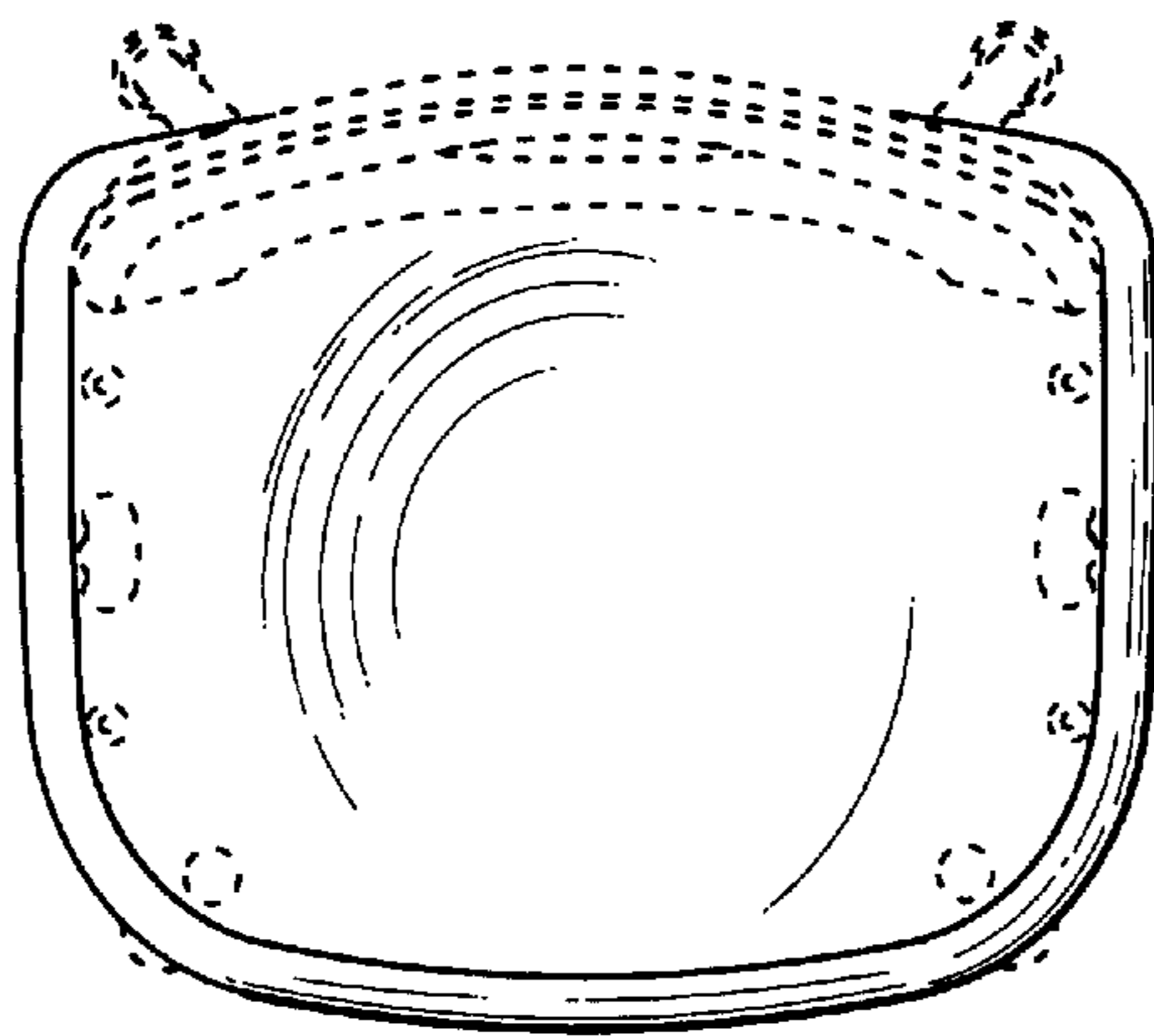
The broken lines shown in the drawing are for illustrative purposes only and form no part of the claimed design.

**1 Claim, 2 Drawing Sheets**

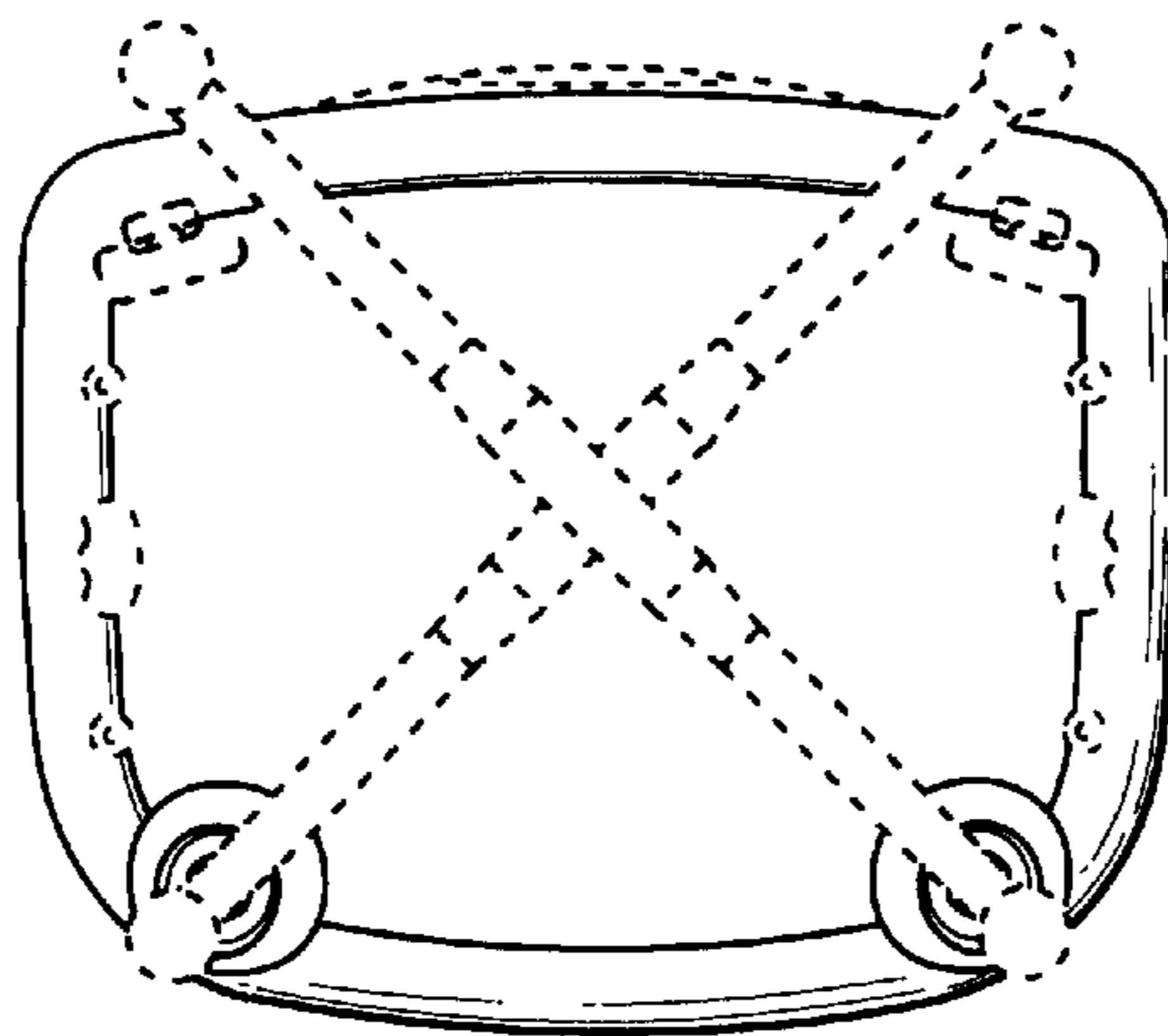




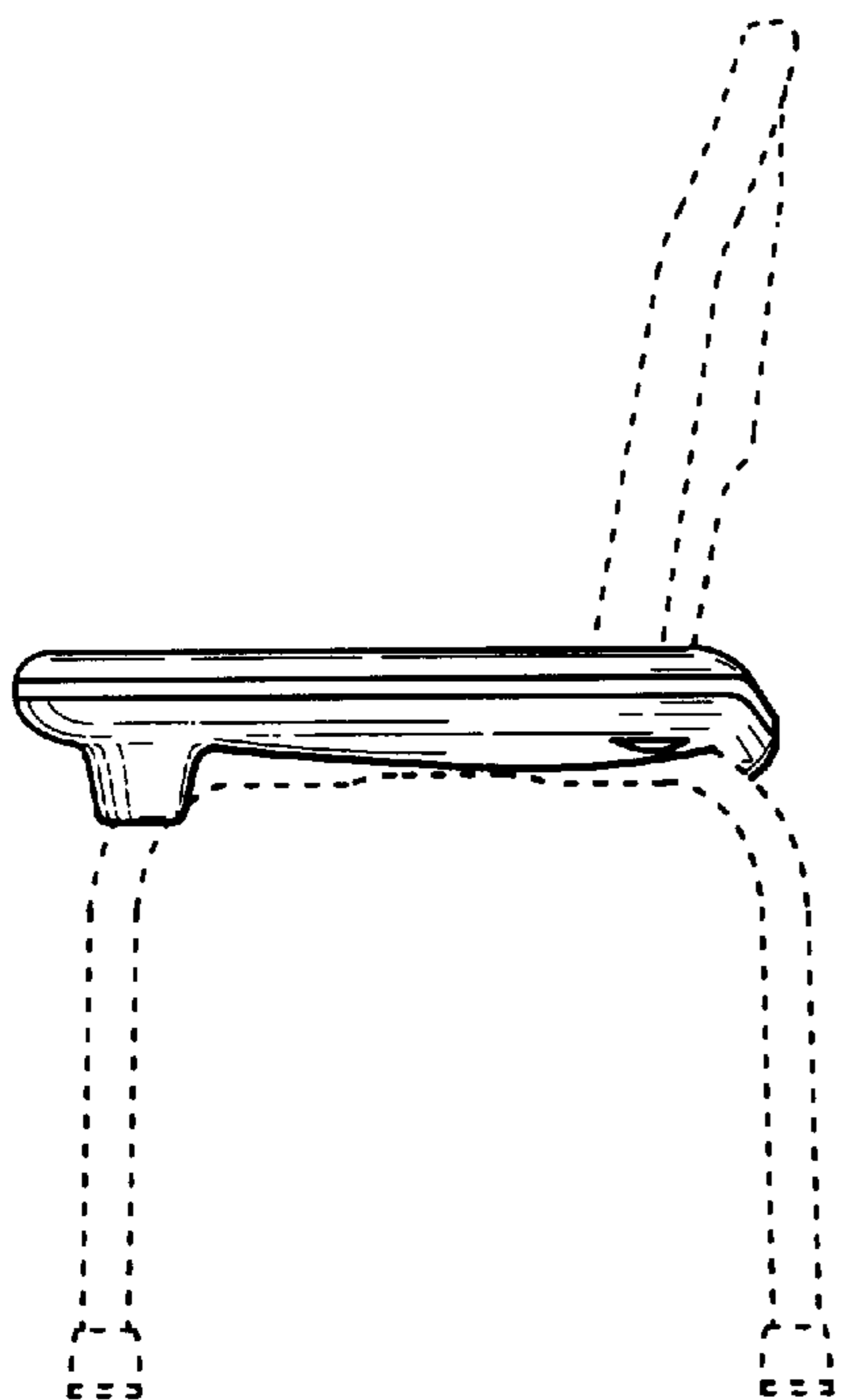
*Fig. 1*



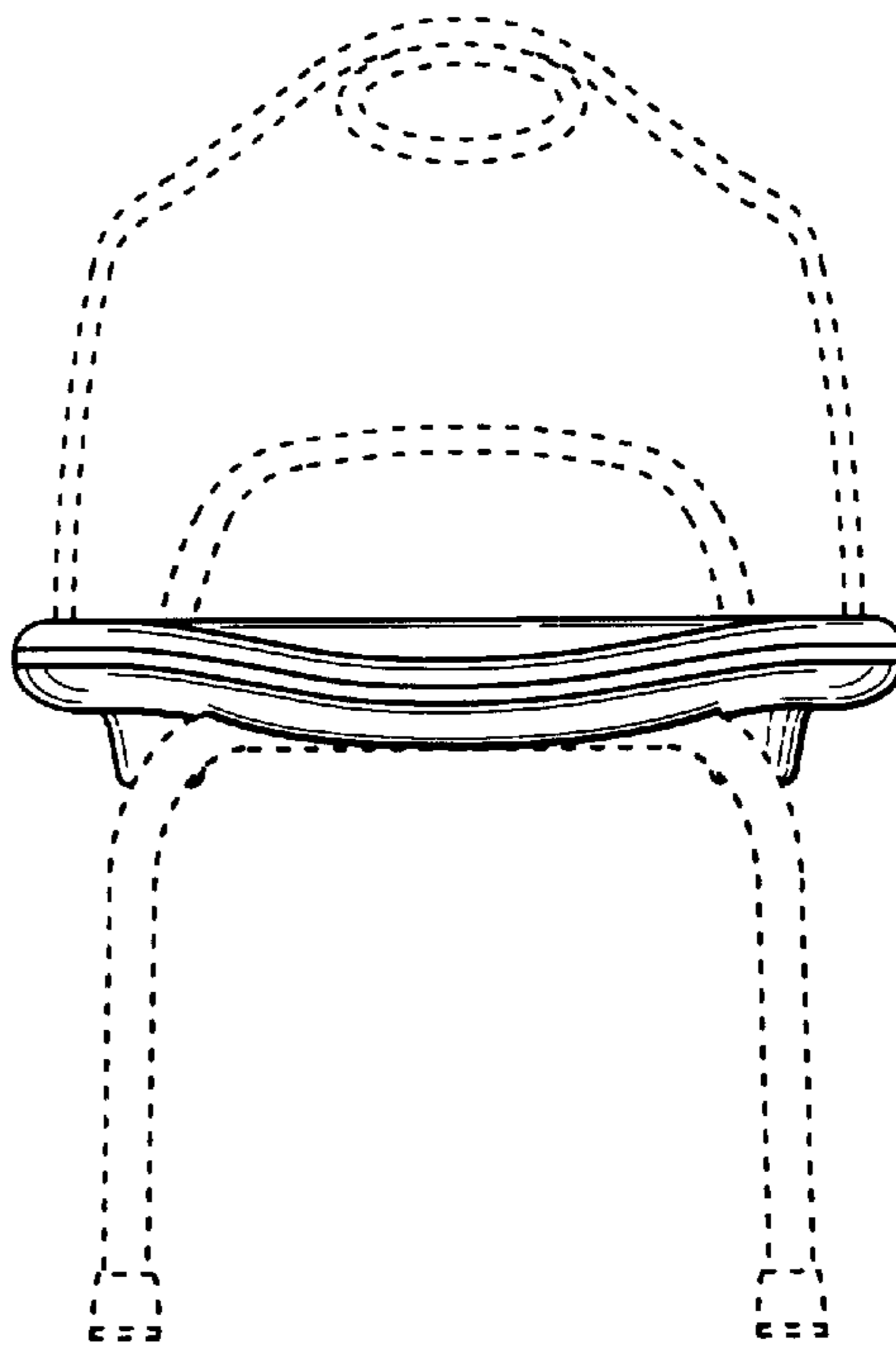
*Fig. 2*



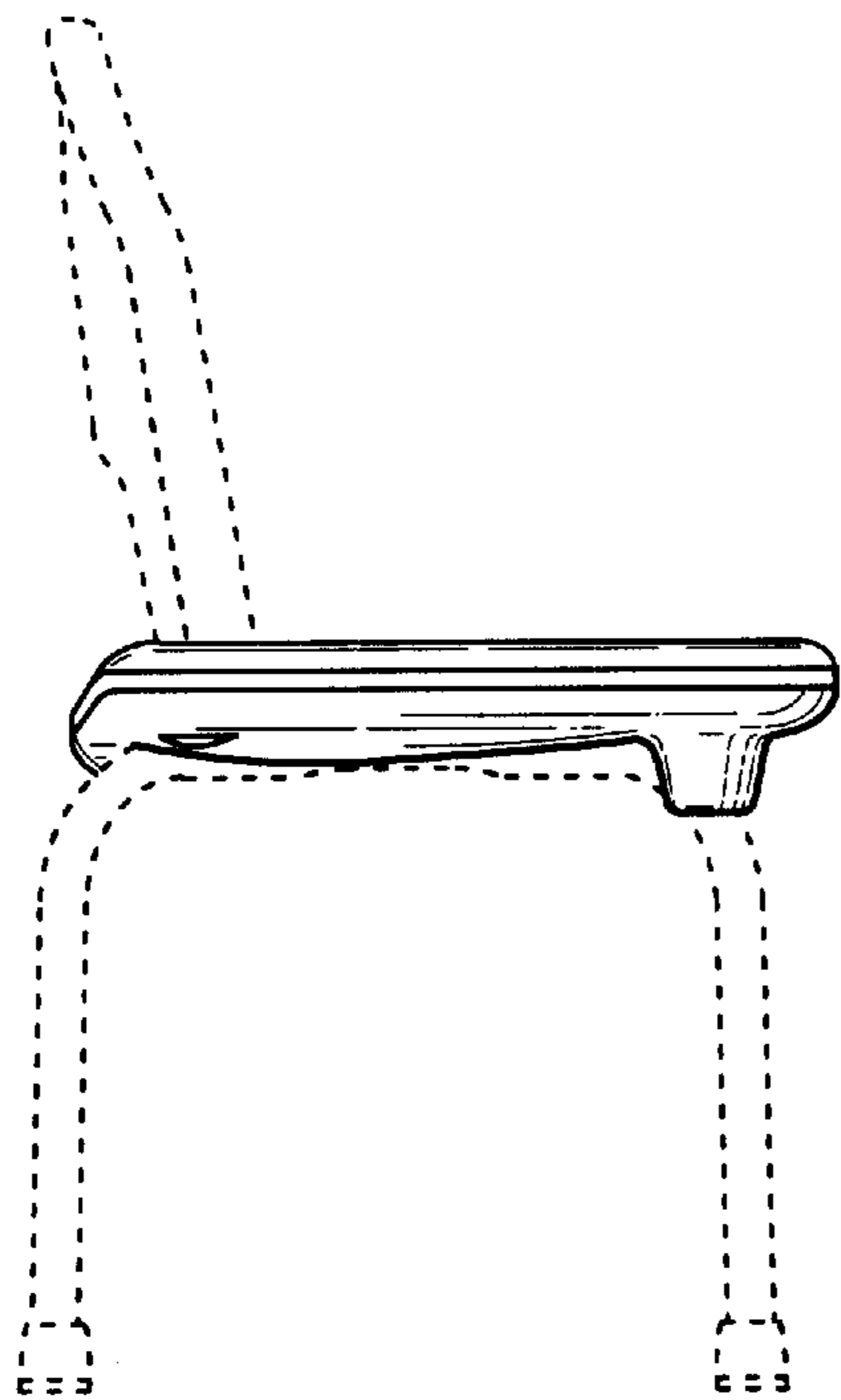
*Fig. 3*



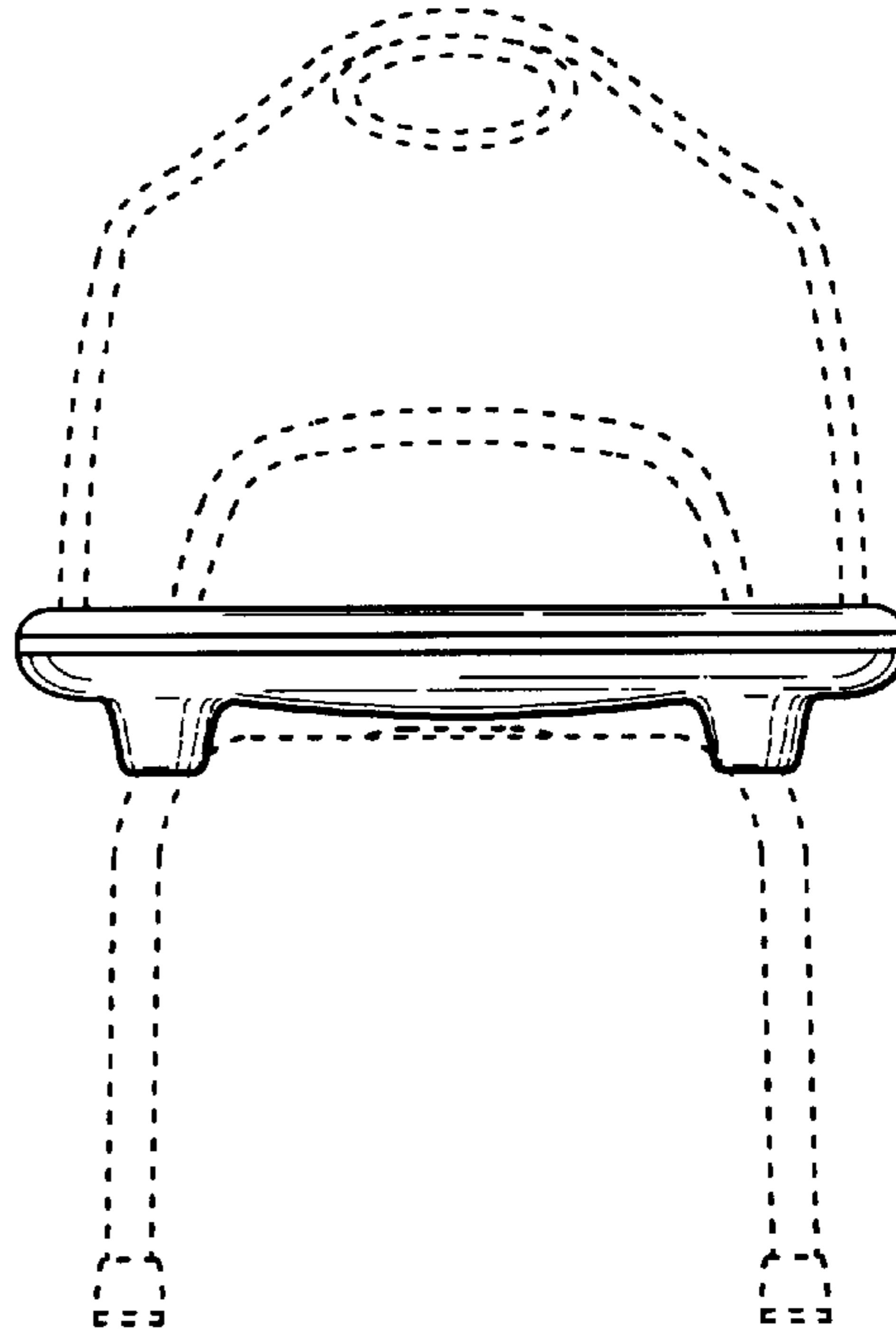
*Fig. 4*



*Fig. 5*



*Fig. 6*



*Fig. 7*