



US00D478751S

(12) **United States Design Patent**
Gilbert et al.

(10) **Patent No.:** **US D478,751 S**

(45) **Date of Patent:** **** Aug. 26, 2003**

(54) **TRANSFER BENCH EXTENSION**
(75) Inventors: **Christopher Jon Gilbert**, Moreland Hills, OH (US); **Jill M. Hunt**, Harvard, IL (US)

(73) Assignee: **Moen Incorporated**, North Olmsted, OH (US)

(**) Term: **14 Years**

(21) Appl. No.: **29/172,307**

(22) Filed: **Dec. 10, 2002**

(51) **LOC (7) Cl.** **06-06**

(52) **U.S. Cl.** **D6/502; D6/374**

(58) **Field of Search** D6/334, 335, 336, D6/349, 368, 374, 377, 380, 500-502, 524, 525, 527; D23/303, 304; 297/24, 183.1, 183.7, 338, 445.1, 446.1, 451.11, 452.18, 452.19, 452.21, 452.29, 452.36, 452.38

(56) **References Cited**

U.S. PATENT DOCUMENTS

D35,304 S	*	11/1901	Pendergast	4/559
941,544 A	*	11/1909	Skogsberg	4/579
D224,384 S		7/1972	Brewer et al.	
D252,239 S	*	7/1979	Smith	D6/367
4,168,549 A	*	9/1979	Davies	4/578.1
4,391,006 A	*	7/1983	Smith	4/559
4,472,844 A		9/1984	Mace	
4,475,256 A		10/1984	Hatala	
4,941,218 A		7/1990	McCartney	
D347,526 S		6/1994	Hamilton	
5,335,377 A	*	8/1994	Masyada et al.	4/578.1
D350,238 S		9/1994	Ward	

5,361,428 A	*	11/1994	Nanowsky et al.	4/579
D366,104 S		1/1996	Breen et al.	
D375,638 S		11/1996	Dhanapal et al.	
D390,024 S		2/1998	DeJule	
5,784,728 A		7/1998	Weddendorf et al.	
5,940,905 A		8/1999	Cheng	
6,039,403 A		3/2000	Hargroder	
6,105,183 A	*	8/2000	Bly	4/579
6,182,304 B1		2/2001	Freeberg	
D439,429 S		3/2001	Higgs et al.	
6,279,178 B1	*	8/2001	Hill	4/578.1
6,467,102 B1		10/2002	Peterson et al.	

* cited by examiner

Primary Examiner—Doris V. Coles

Assistant Examiner—Mimosa De

(74) *Attorney, Agent, or Firm*—Cook, Alex, McFarron, Manzo, Cummings & Mehler, Ltd.

(57) **CLAIM**

The ornamental design for a transfer bench extension, as shown and described.

DESCRIPTION

FIG. 1 is a perspective view of our new design for a transfer bench extension.

FIG. 2 is a top plan view.

FIG. 3 is a bottom plan view.

FIG. 4 is a right side elevation view.

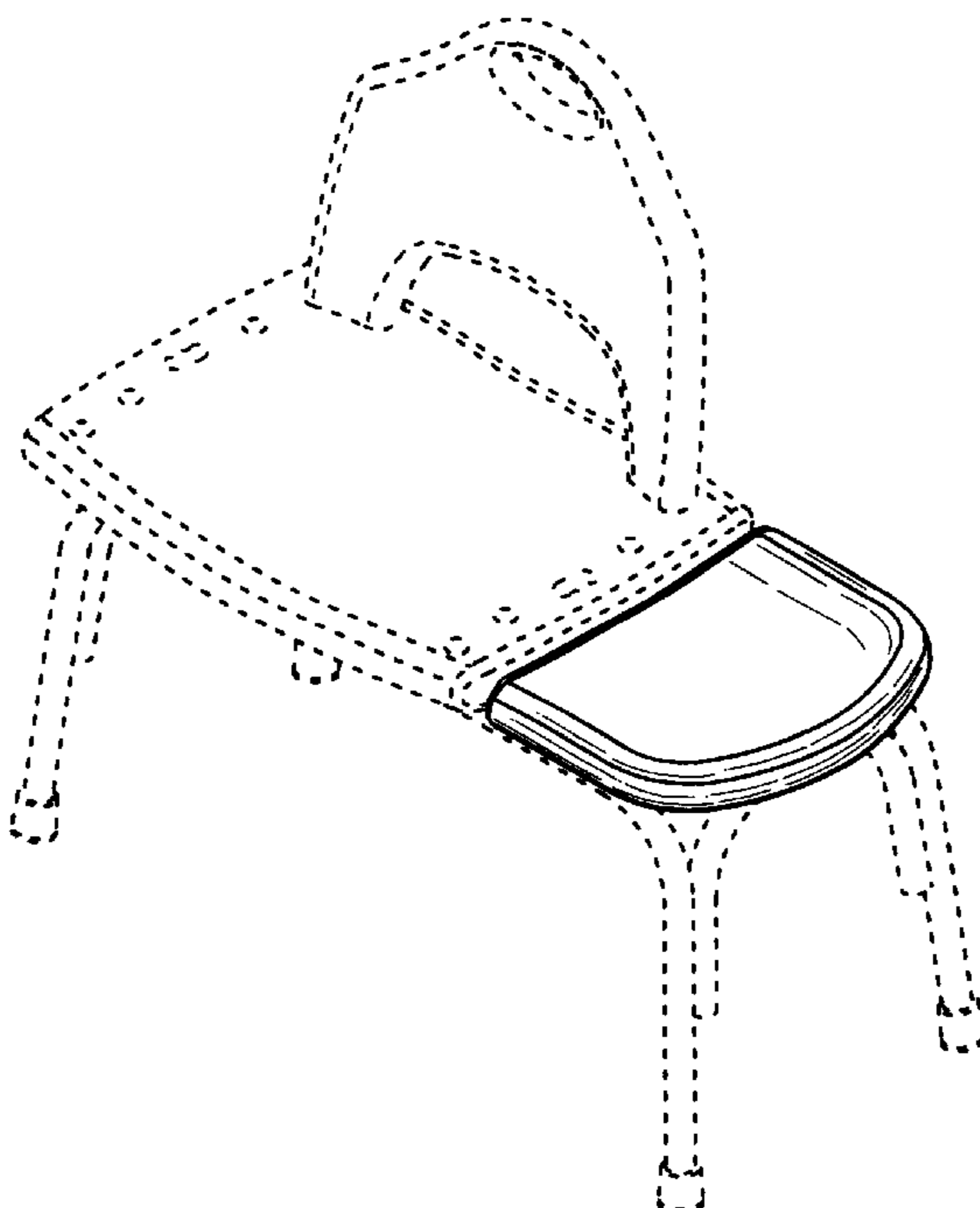
FIG. 5 is a rear elevation view.

FIG. 6 is a left side elevation view; and,

FIG. 7 is a front elevation view.

The broken lines shown in the drawing are for illustrative purposes only and form no part of the claimed design.

1 Claim, 2 Drawing Sheets



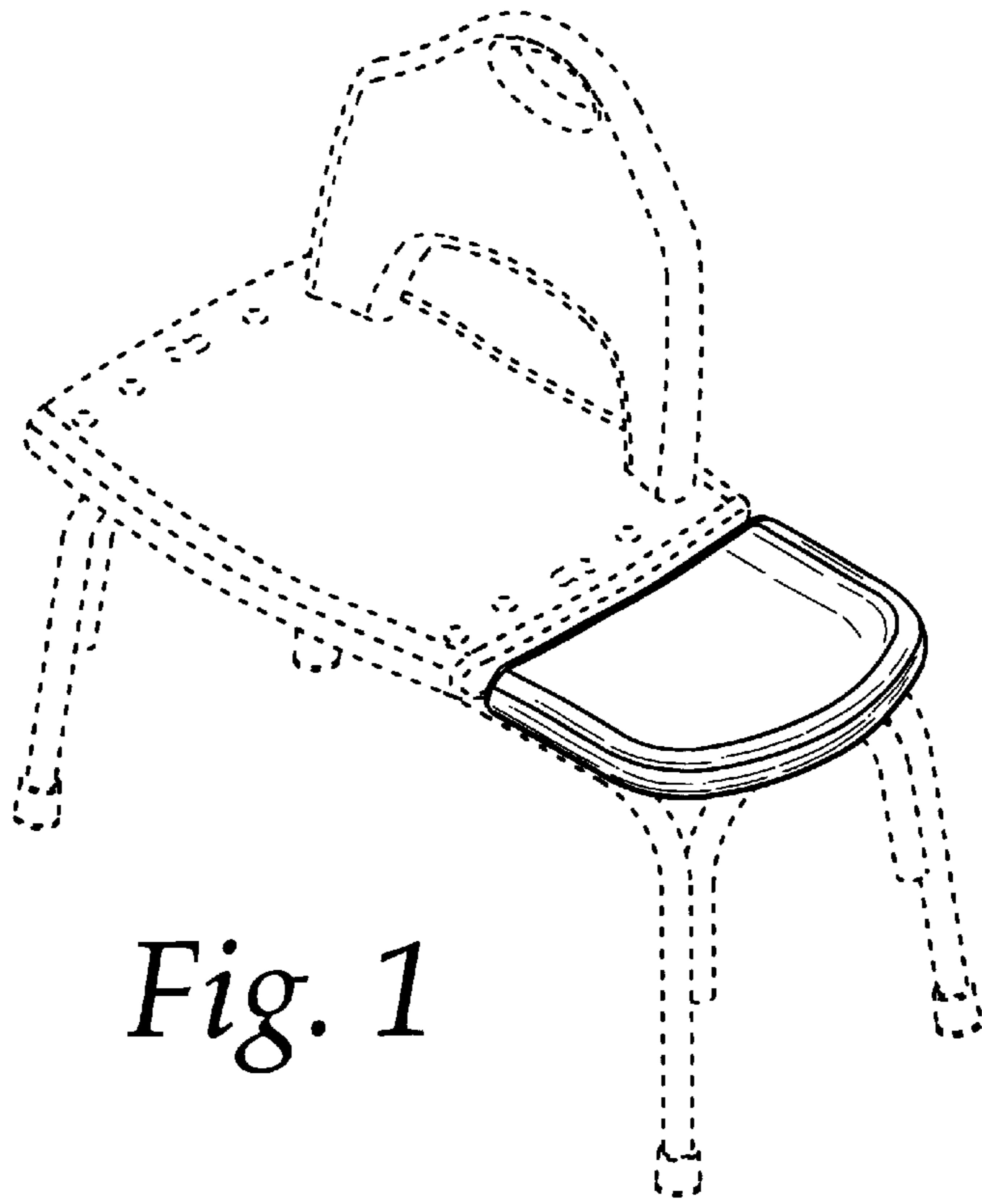


Fig. 1

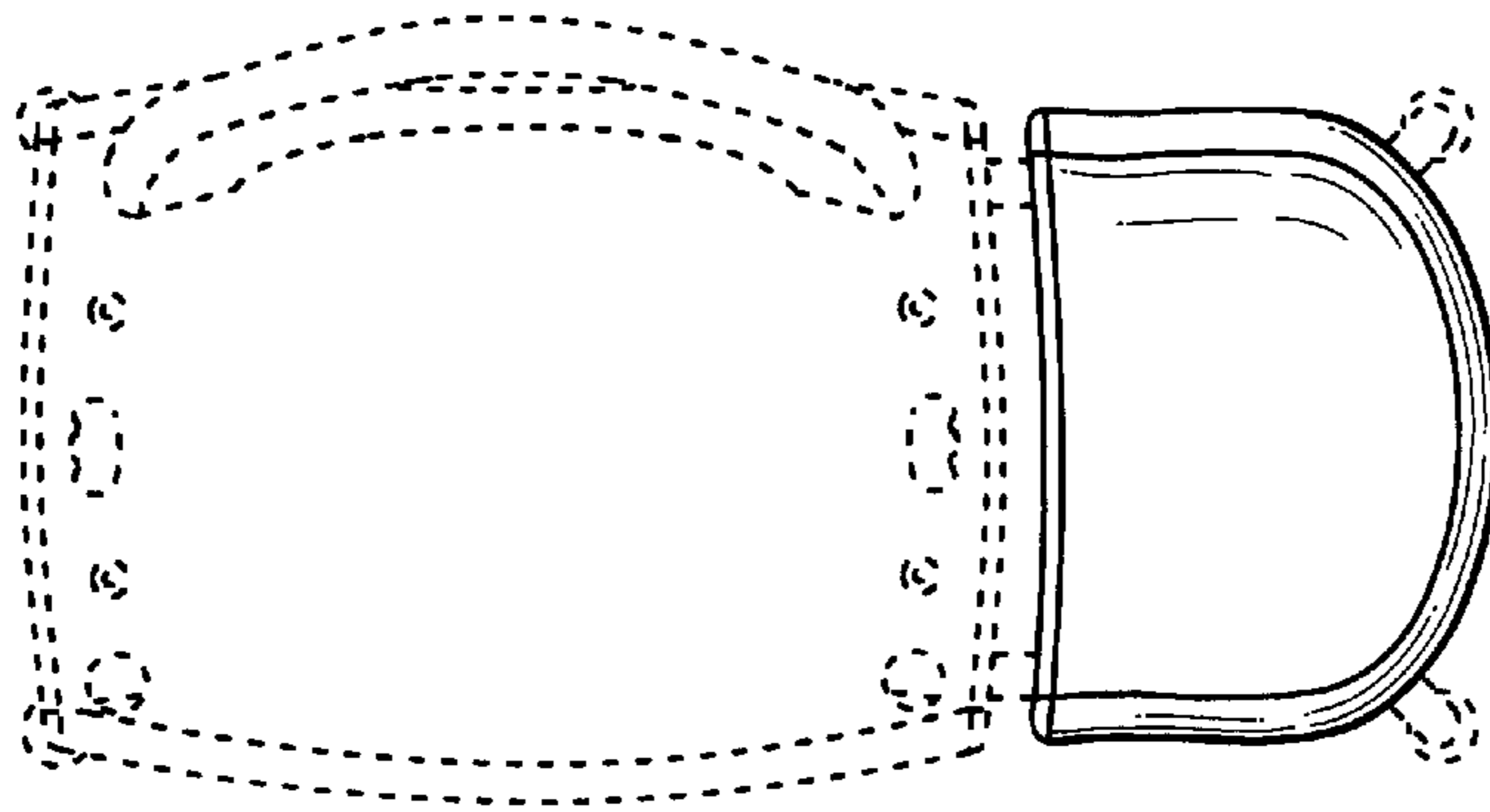


Fig. 2

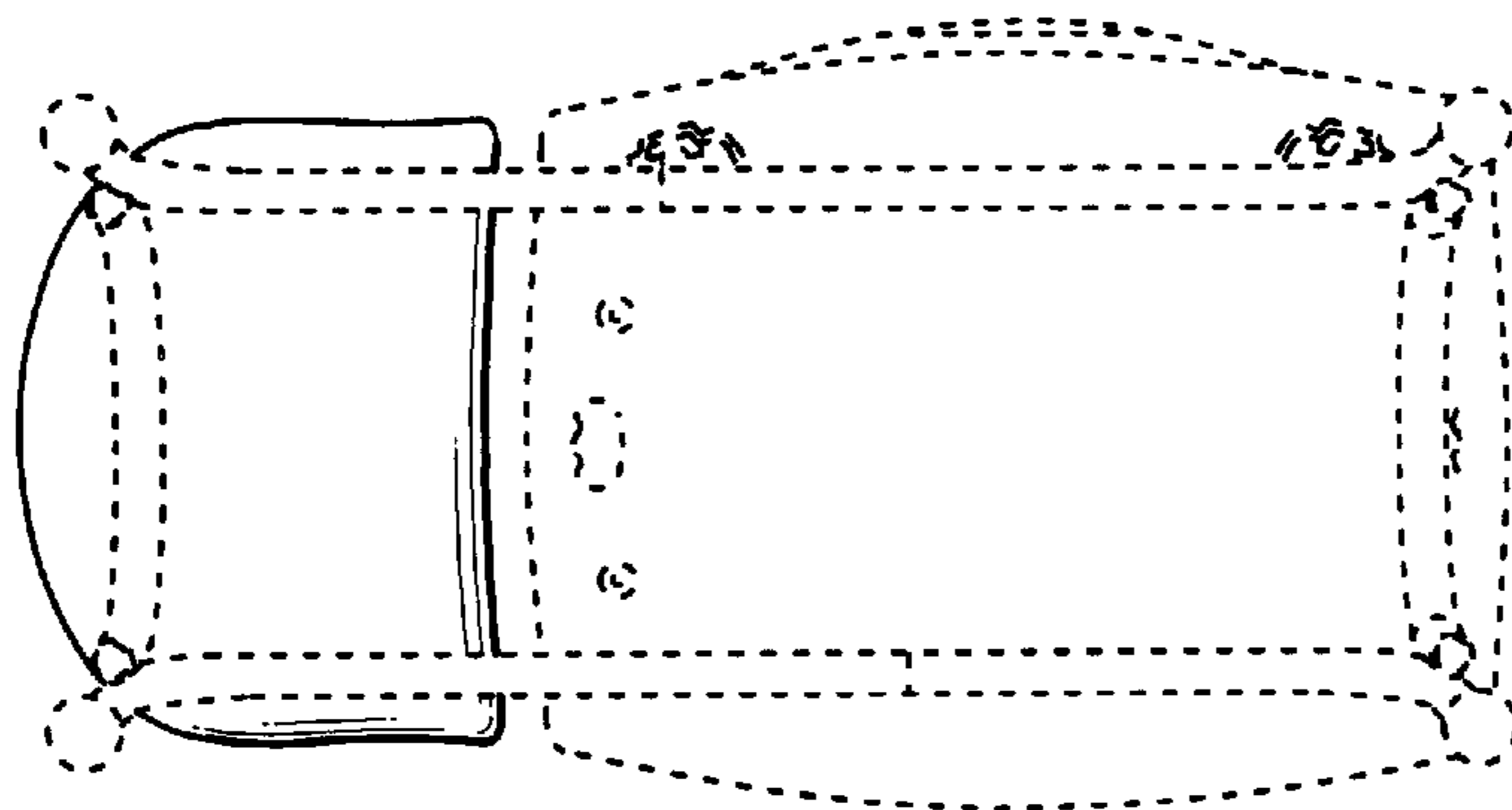


Fig. 3

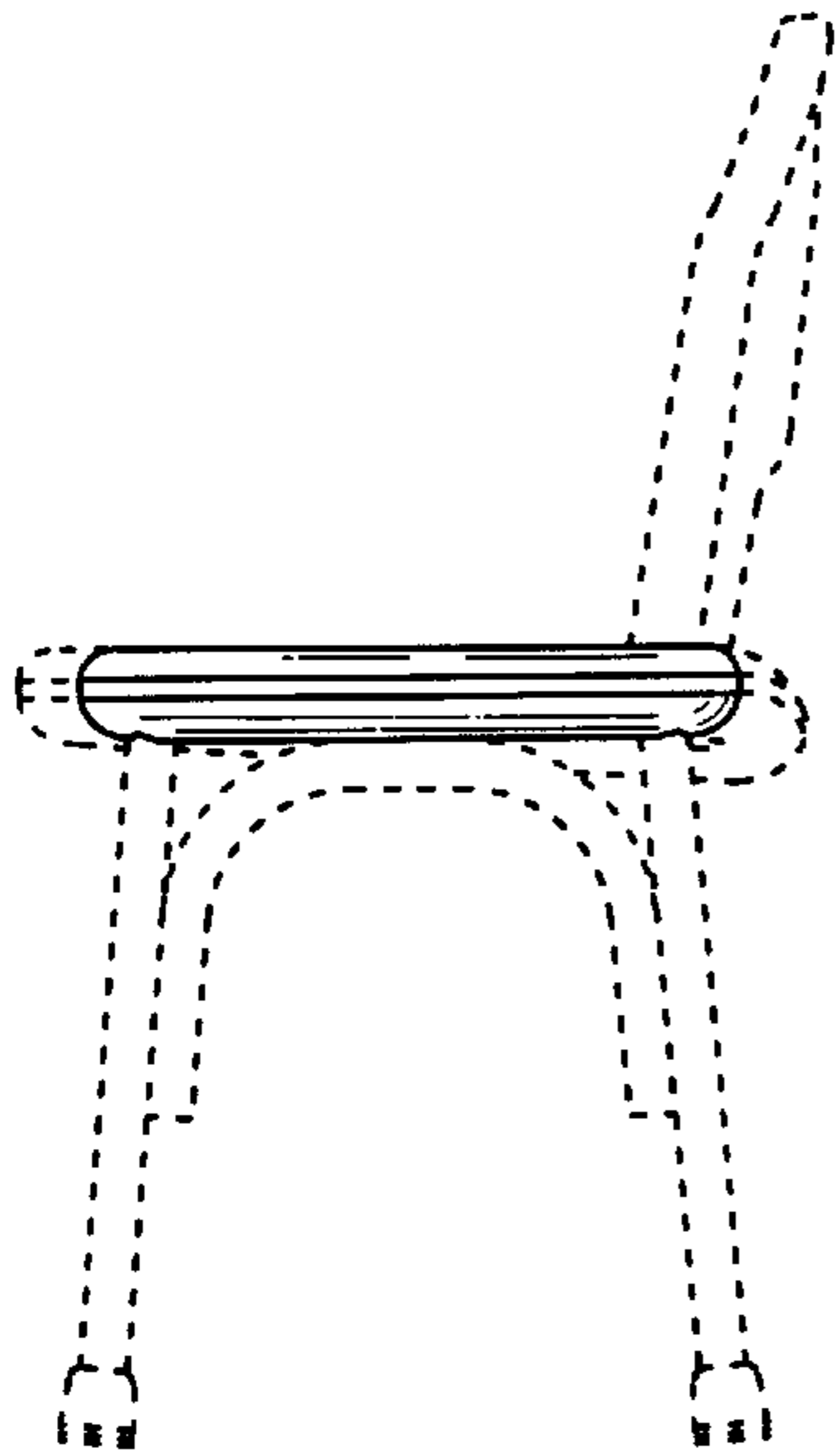


Fig. 4

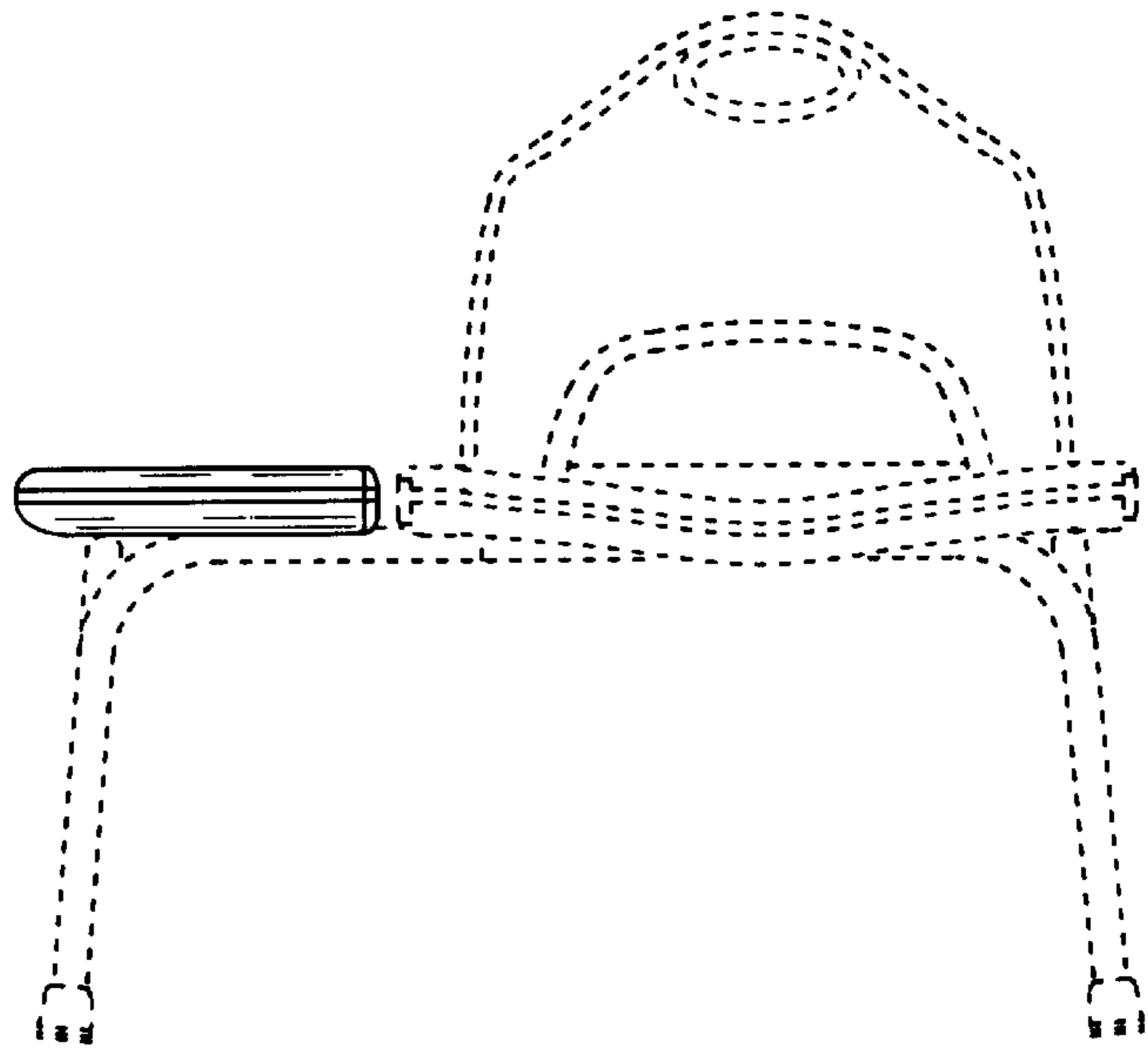


Fig. 5

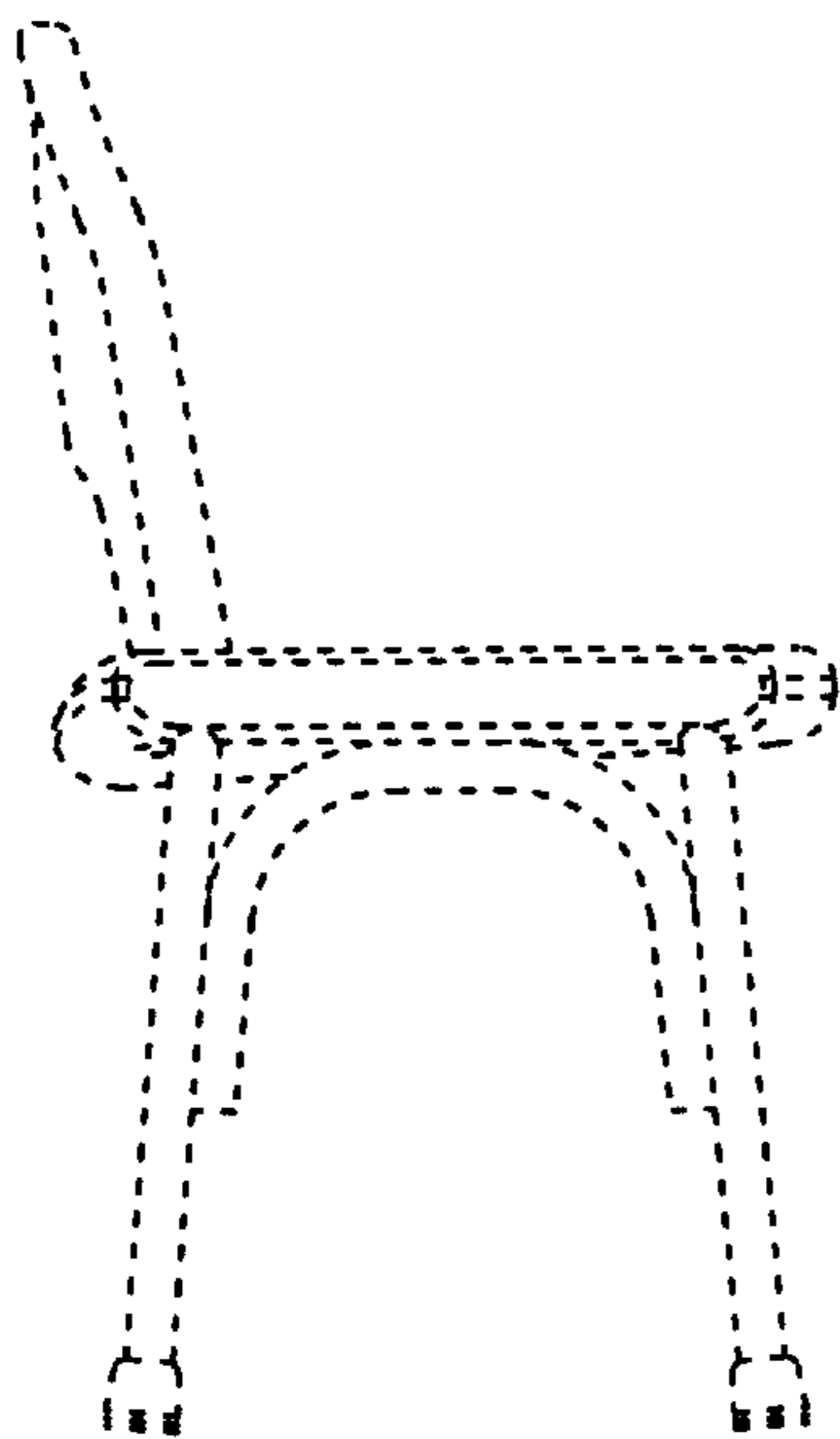


Fig. 6

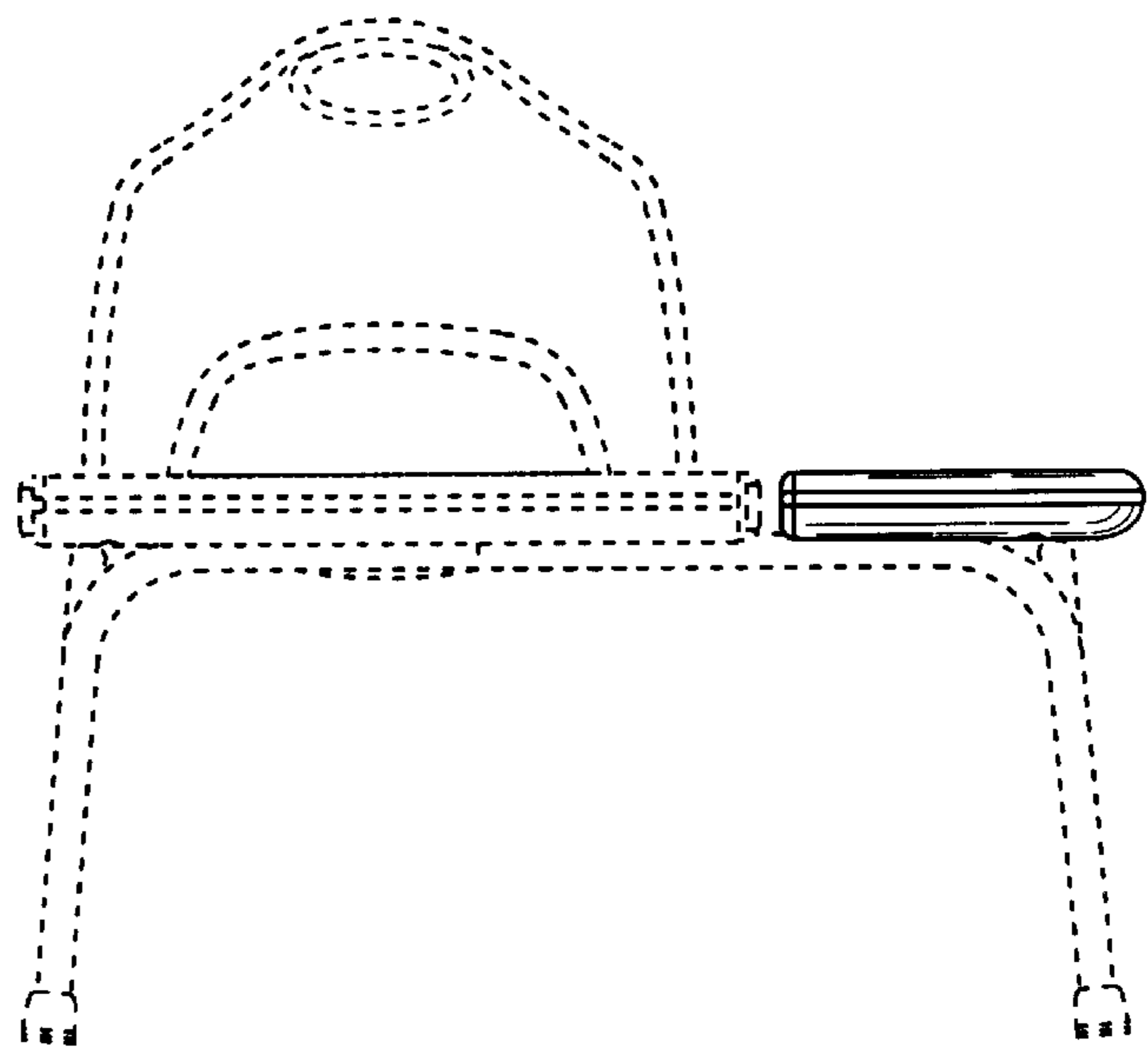


Fig. 7