



US00D478747S

(12) **United States Design Patent**  
**Warren et al.**

(10) **Patent No.:** **US D478,747 S**

(45) **Date of Patent:** **\*\* Aug. 26, 2003**

(54) **ORNAMENTATION FOR A TABLE TOP AND LEGS**

(75) Inventors: **Nancy Warren**, Greensboro, NC (US);  
**Timothy Michael O'Hare**, Greensboro,  
NC (US); **Scott Mark Risdon**,  
Greensboro, NC (US)

(73) Assignee: **LADD Furniture, Inc.**, Greensboro,  
NC (US)

(\*\*) Term: **14 Years**

(21) Appl. No.: **29/163,784**

(22) Filed: **Jul. 12, 2002**

**Related U.S. Application Data**

(62) Division of application No. 29/130,199, filed on Sep. 28,  
2000.

(51) **LOC (7) Cl.** ..... **06-03**

(52) **U.S. Cl.** ..... **D6/480; D6/491; D6/511;**  
D6/495

(58) **Field of Search** ..... D6/480-489, 495-499,  
D6/511; 108/150, 153.1, 155, 156, 157.1,  
161; 248/188, 188.1, 188.8

(56) **References Cited**

**U.S. PATENT DOCUMENTS**

D73,613 S \* 10/1927 Katz ..... D6/480

D78,457 S \* 5/1929 Ekvall ..... D6/486  
D128,488 S \* 7/1941 Gunder ..... D6/486  
D431,131 S \* 9/2000 Wistehuff, Sr. .... D6/480  
D445,607 S \* 7/2001 OHare et al. .... D6/480

**OTHER PUBLICATIONS**

Furniture Today, Oct. 20, 1997, p. 171, Regency House table  
at top right.\*

\* cited by examiner

*Primary Examiner*—Janice E. Seeger

(74) *Attorney, Agent, or Firm*—Kilpatrick Stockton LLP

(57) **CLAIM**

The ornamental design for ornamentation for a table top and  
legs, as shown.

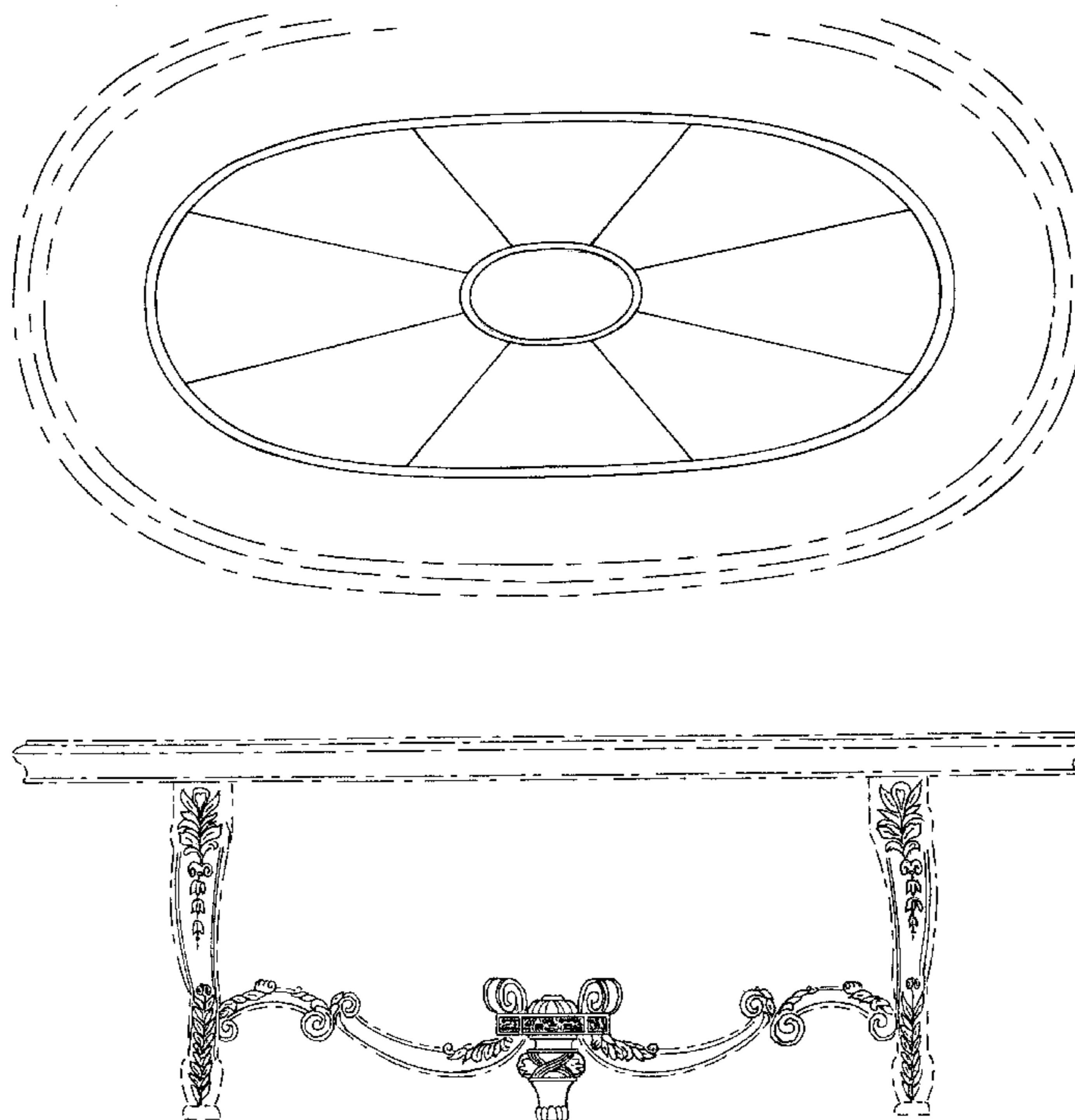
**DESCRIPTION**

FIG. 1 is a view of the ornamentation for a table top and legs  
in an embodiment of the present invention; and,

FIG. 2 is a view of the ornamentation of the legs of a table  
in an embodiment of the present invention. The ornamentation  
on the legs on the opposing side of the table shown in  
FIG. 2 is a mirror image of the ornamentation on the legs on  
the side shown in FIG. 2.

The broken lines in the figures are for purposes of showing  
environment and form no part of the invention.

**1 Claim, 1 Drawing Sheet**



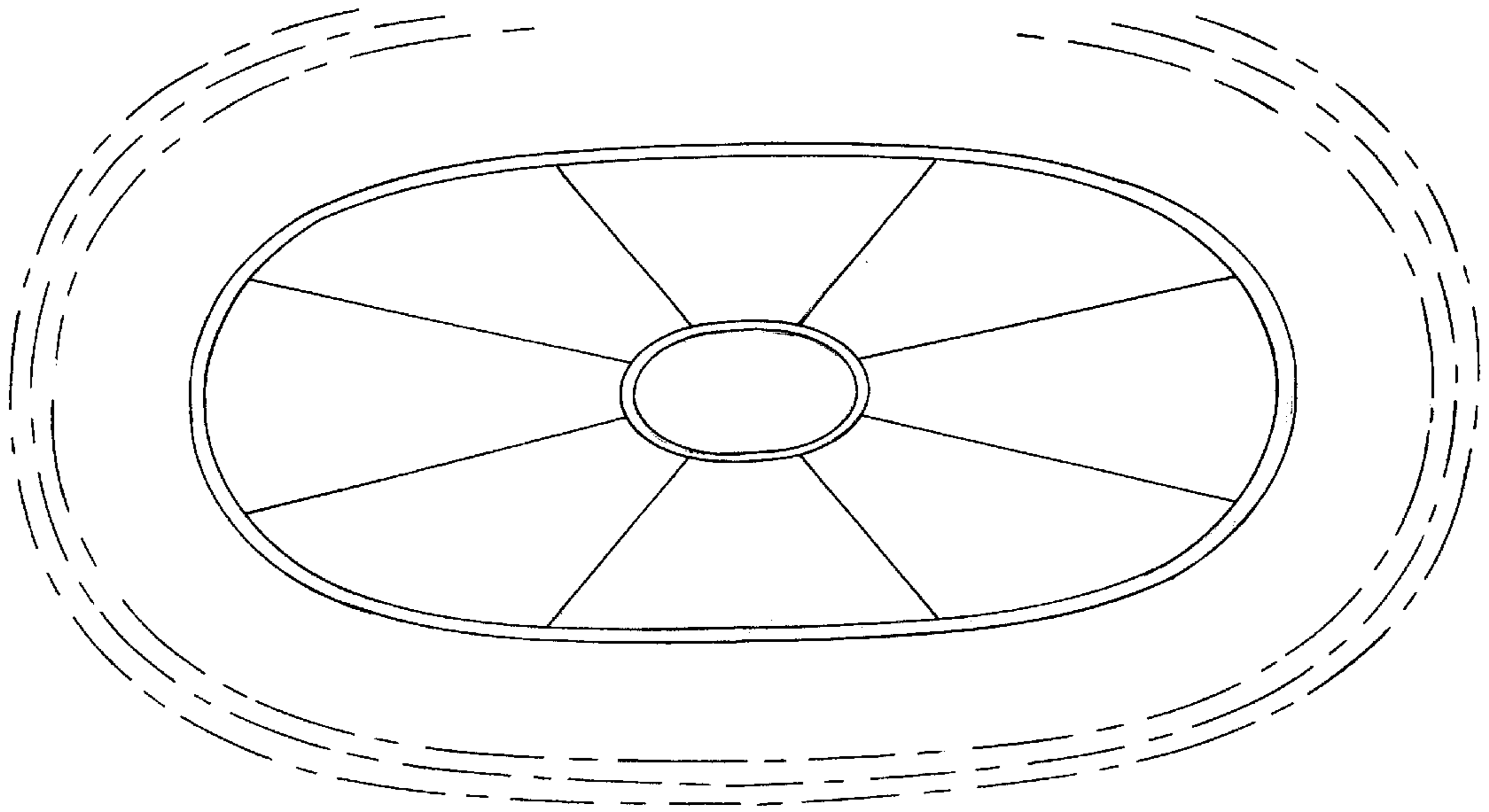


FIG. 1

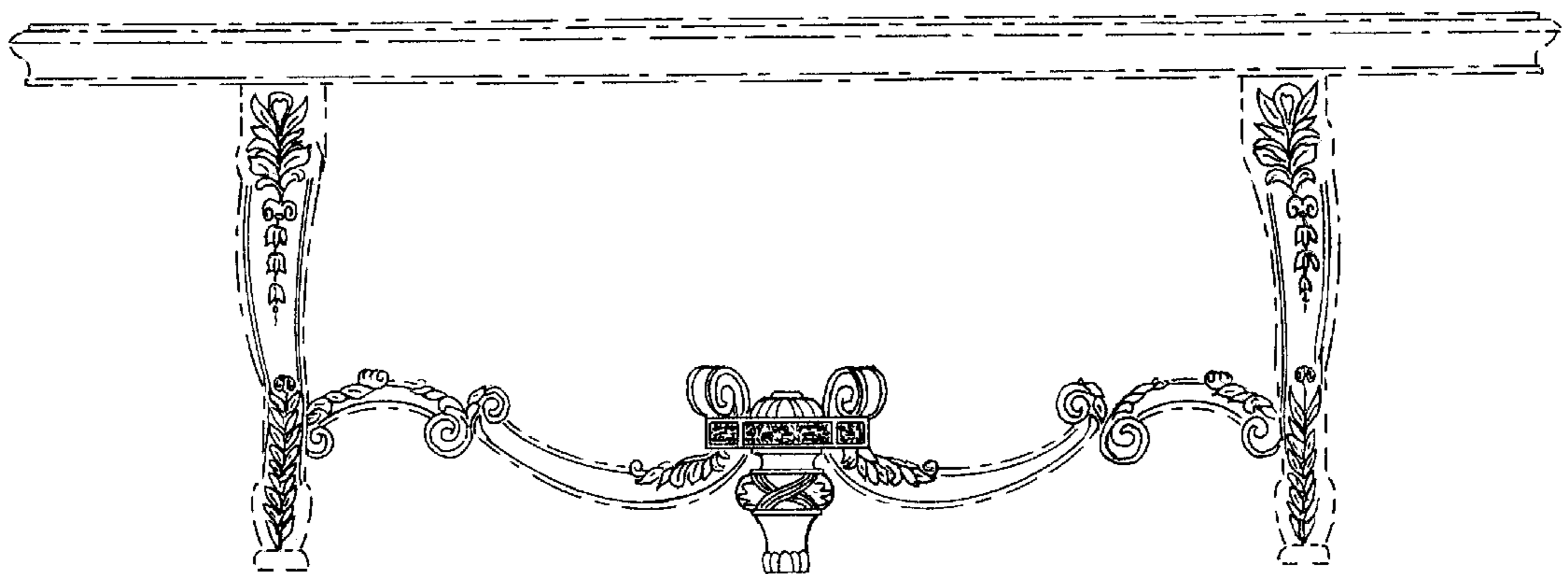


FIG. 2