



US00D478746S

(12) **United States Design Patent**  
**Sumii**

(10) **Patent No.:** **US D478,746 S**

(45) **Date of Patent:** **\*\* Aug. 26, 2003**

(54) **STAND FOR TELEVISION RECEIVER**

(75) Inventor: **Tetsu Sumii**, Tokyo (JP)

(73) Assignee: **Sony Corporation**, Tokyo (JP)

(\*\*) Term: **14 Years**

(21) Appl. No.: **29/161,122**

(22) Filed: **May 24, 2002**

(51) **LOC (7) Cl.** ..... **06-04**

(52) **U.S. Cl.** ..... **D6/477**

(58) **Field of Search** ..... D6/396, 397, 630,  
D6/410, 411, 436, 437, 438, 476-479, 569,  
570, 571; 108/28, 59-61, 91-93, 149, 157.1,  
158.11, 180; 211/10, 11, 34, 36, 37, 90.04,  
134, 153, 175, 186, 188; 312/7.2, 9.48,  
196, 278-281

(56) **References Cited**

**U.S. PATENT DOCUMENTS**

D427,459 S \* 7/2000 Druebbisch ..... D6/479  
D454,731 S 3/2002 Niitsu

**OTHER PUBLICATIONS**

Catalog "Trinitron Color Television Monitor", p. 27, Sony Corporation (Feb. 2001).

\* cited by examiner

*Primary Examiner*—Cathron C. Brooks

(74) *Attorney, Agent, or Firm*—Rader, Fishman & Grauer PLLC

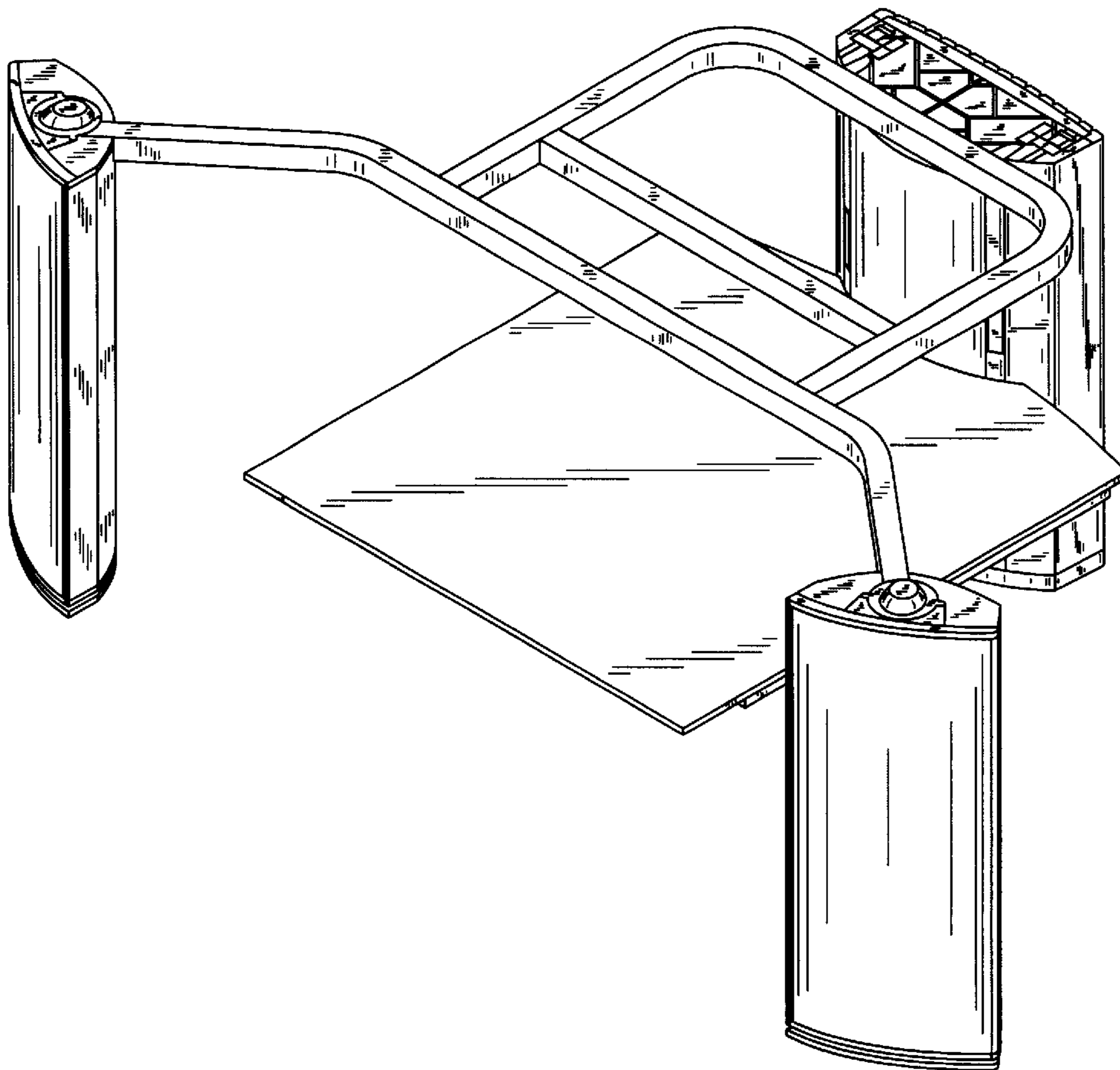
(57) **CLAIM**

The ornamental design for a stand for television receiver, as shown and described.

**DESCRIPTION**

FIG. 1 is a perspective view of a stand for television receiver showing my new design;  
FIG. 2 is a front elevational view thereof;  
FIG. 3 is a rear elevational view thereof;  
FIG. 4 is a left side elevational view thereof;  
FIG. 5 is a right side elevational view thereof;  
FIG. 6 is a top plan view thereof; and,  
FIG. 7 is a bottom plan view thereof.

**1 Claim, 4 Drawing Sheets**



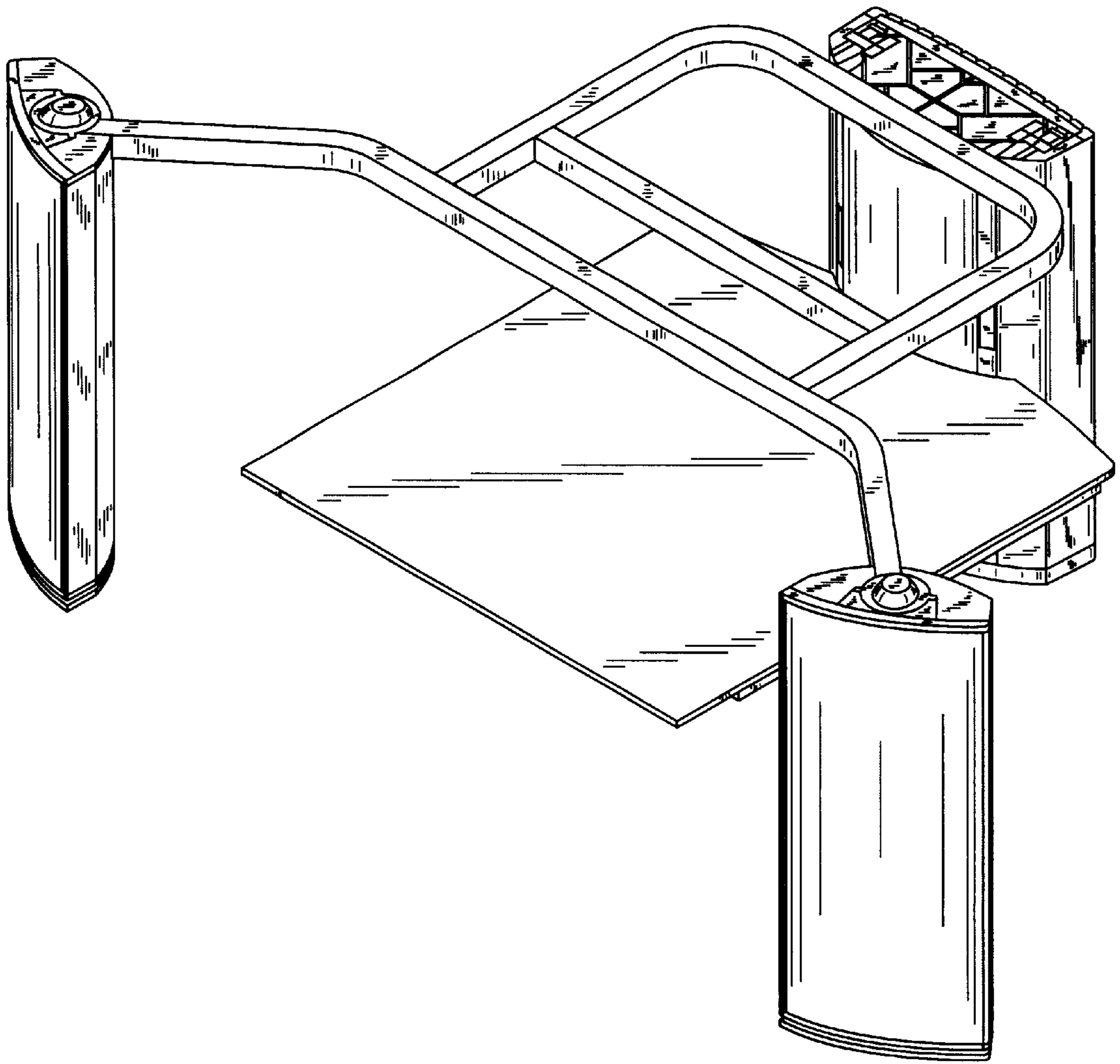


Fig. 1

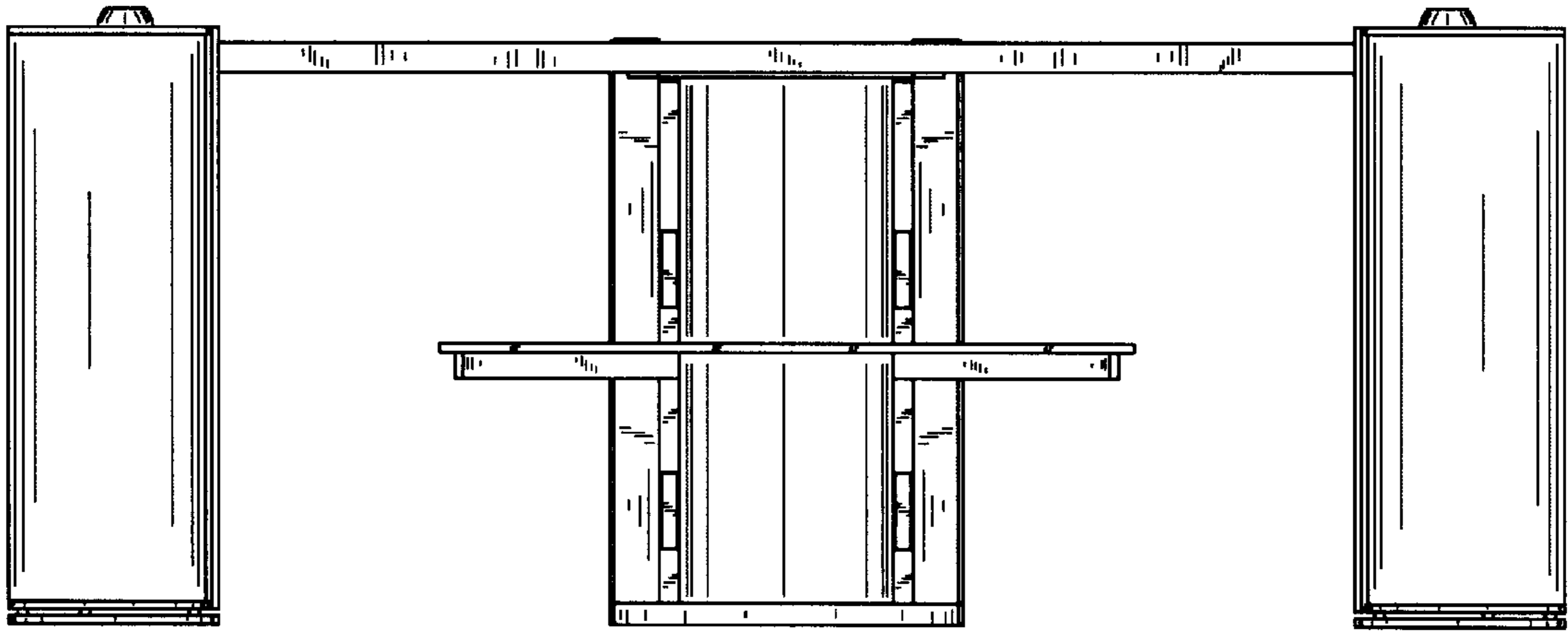


Fig. 2

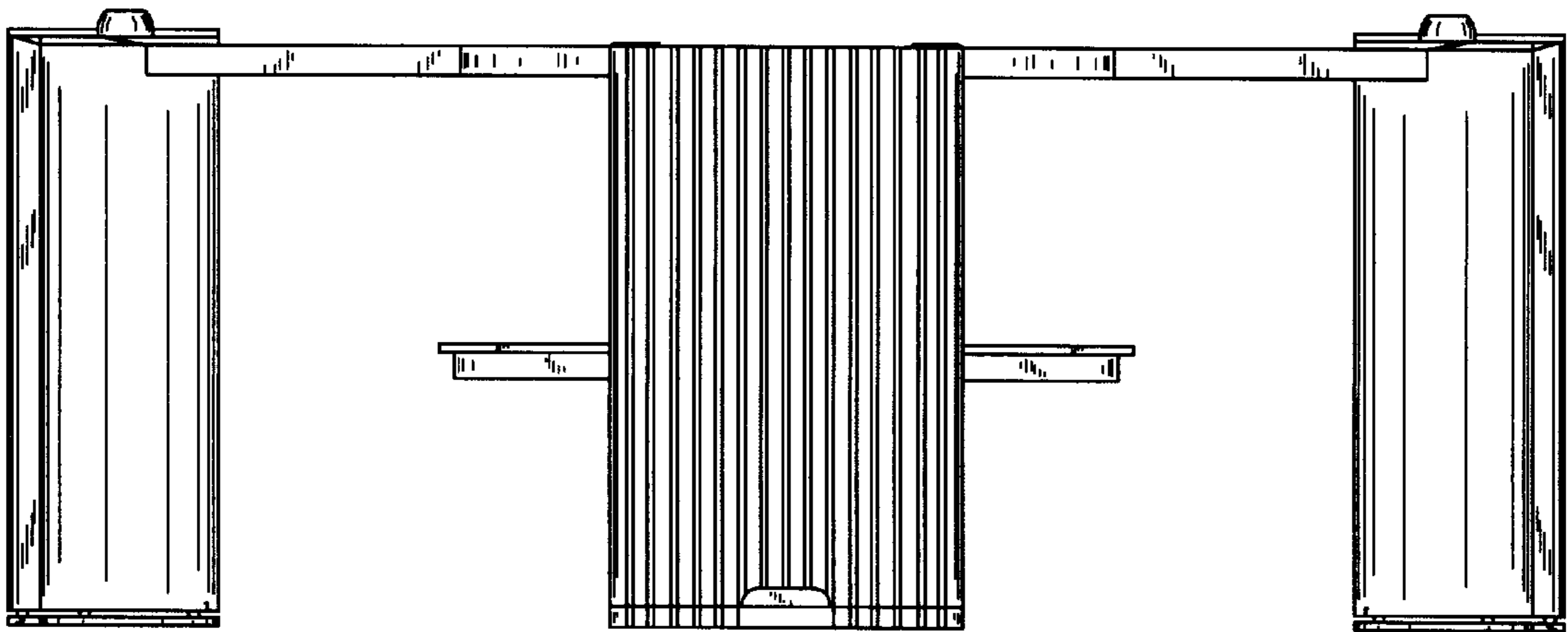
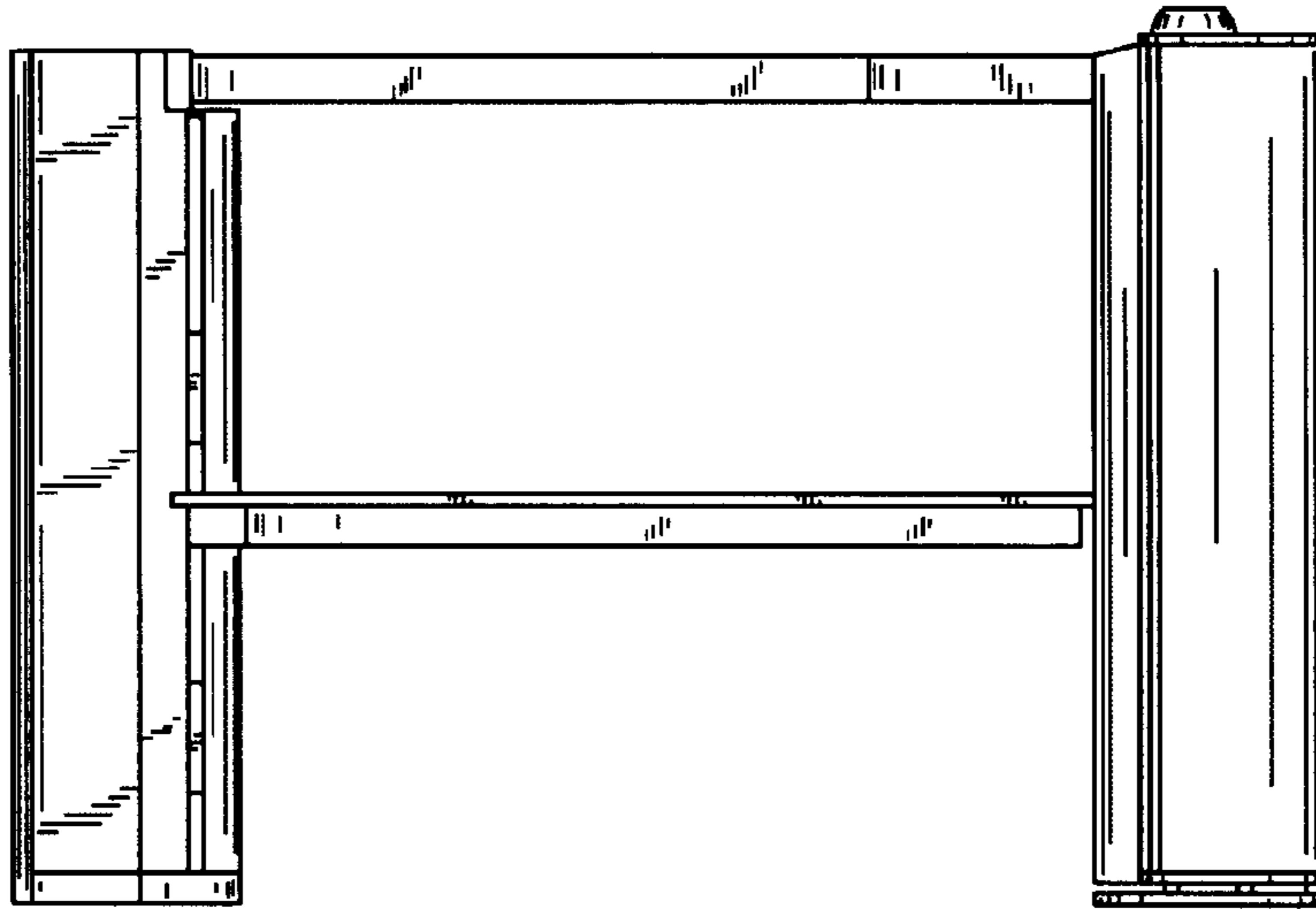
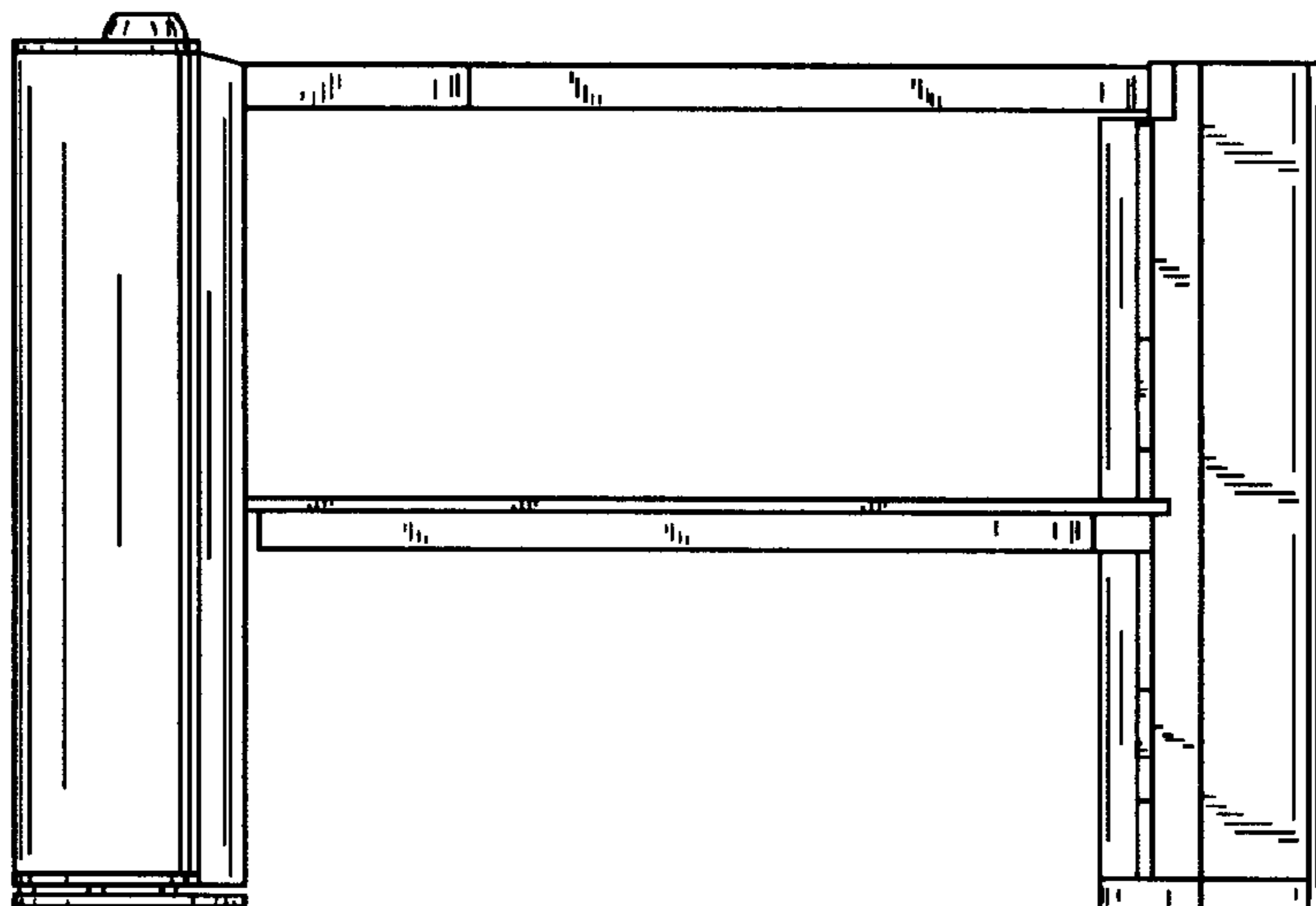


Fig. 3



**Fig. 4**



**Fig. 5**

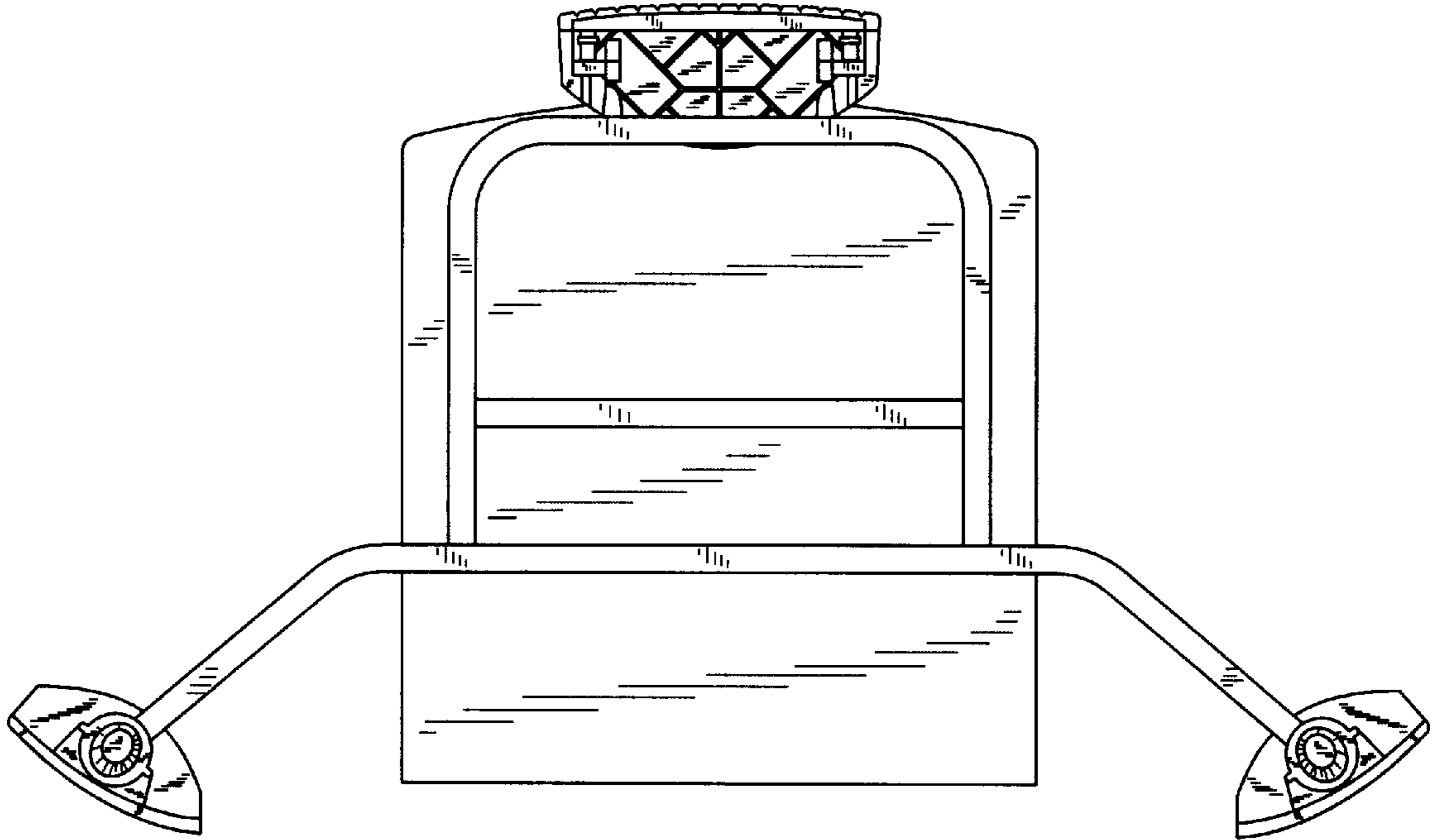


Fig. 6

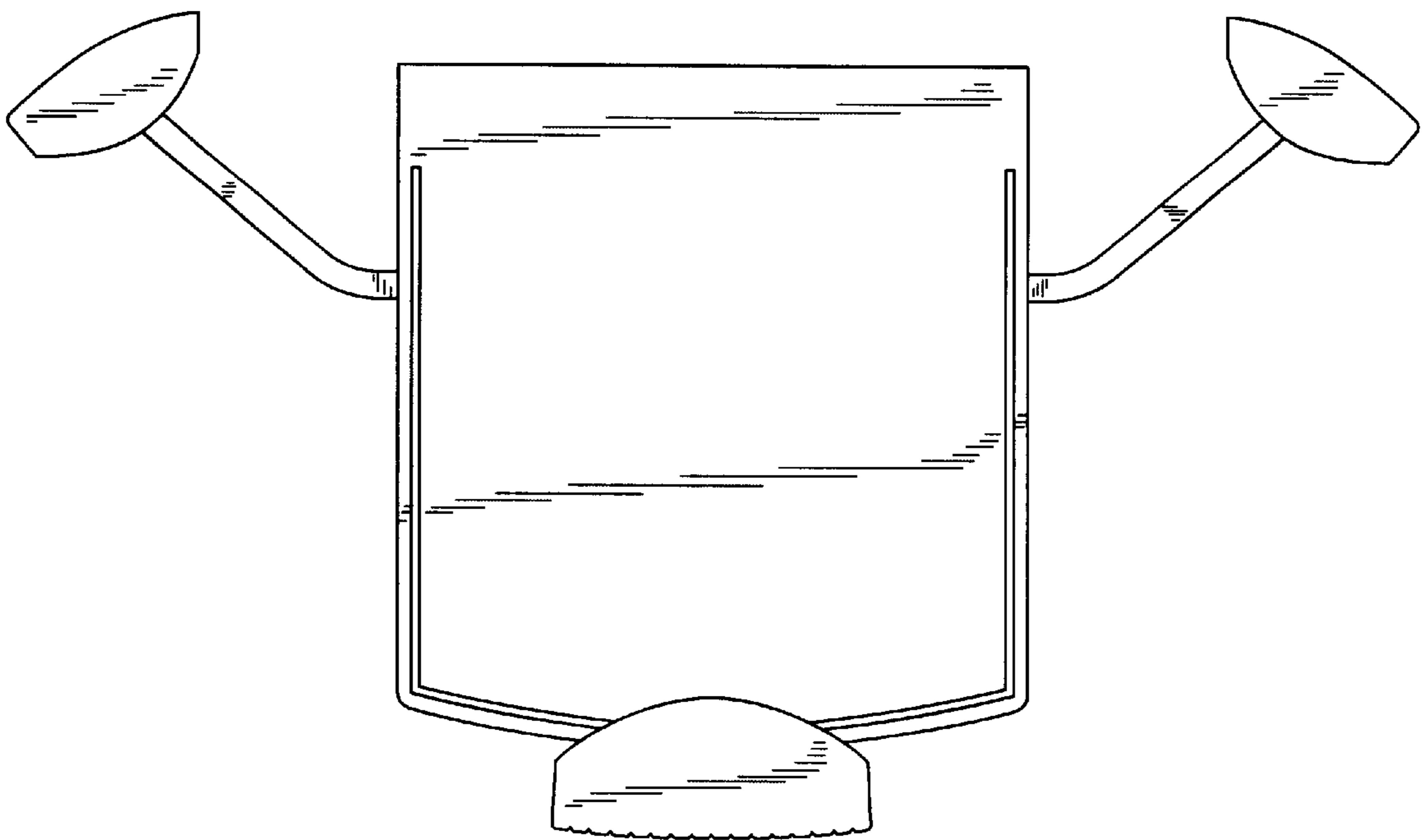


Fig. 7