



US00D478745S

(12) **United States Design Patent**
Sparkowski

(10) **Patent No.:** **US D478,745 S**

(45) **Date of Patent:** **** Aug. 26, 2003**

(54) **PRODUCT DISPLAY**

4,974,734 A * 12/1990 Merl 211/126.1
D355,314 S * 2/1995 Travis D6/476

(75) Inventor: **Robert P. Sparkowski**, Schaumburg, IL
(US)

* cited by examiner

(73) Assignee: **Chicago Display Marketing Corporation**, Melrose Park, IL (US)

Primary Examiner—Cathron C. Brooks
(74) *Attorney, Agent, or Firm*—Vedder Price Kaufman & Kammholz

(**) Term: **14 Years**

(57) **CLAIM**

(21) Appl. No.: **29/164,311**

The ornamental design for the product display, as shown.

(22) Filed: **Jul. 22, 2002**

DESCRIPTION

(51) **LOC (7) Cl.** **06-04**

(52) **U.S. Cl.** **D6/474; D6/476; D6/477**

(58) **Field of Search** D6/396, 397, 436,
D6/437, 411, 415, 449, 455–469; 108/59,
91, 92, 93, 94; 211/11, 13.1, 85.1, 85.2,
85.4, 70, 78, 107, 131.1, 133.2, 163, 164,
181.1, 182

FIG. 1 is a perspective view of the product display showing my new design;

FIG. 2 is a front view of my invention;

FIG. 3 is a rear view of my invention;

FIG. 4 is a side view of my invention;

FIG. 5 is a view of the other side my invention;

FIG. 6 is a top view of my invention; and,

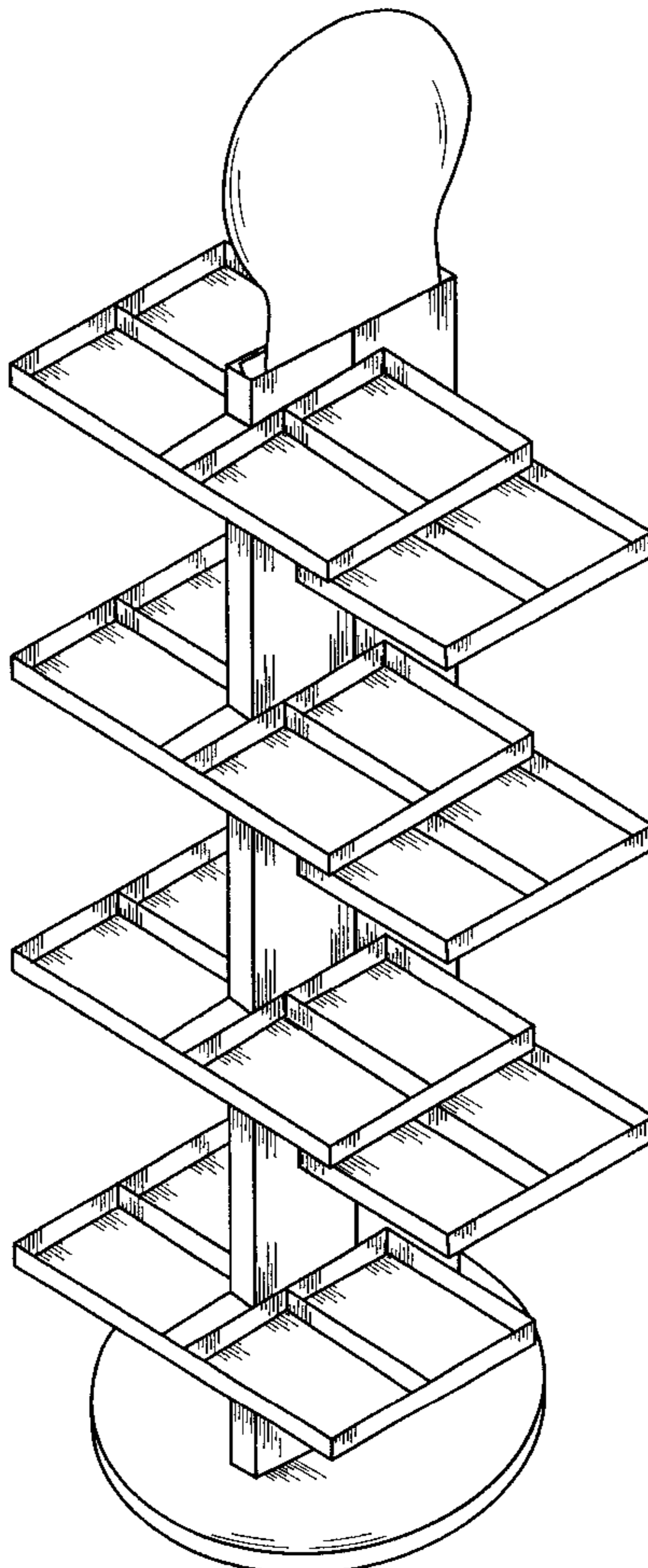
FIG. 7 is a bottom view of my invention.

(56) **References Cited**

U.S. PATENT DOCUMENTS

D109,389 S * 4/1938 Beyrle D6/474

1 Claim, 4 Drawing Sheets



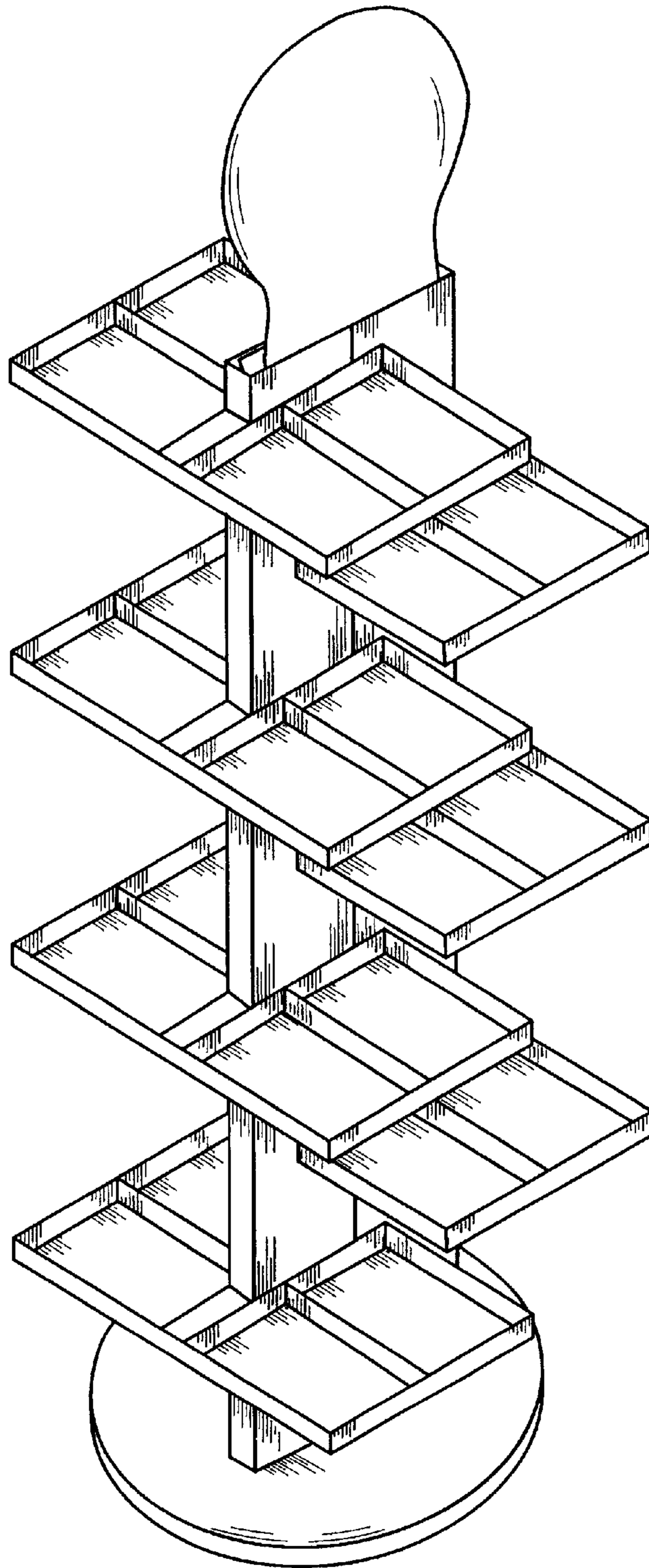


FIG. 1

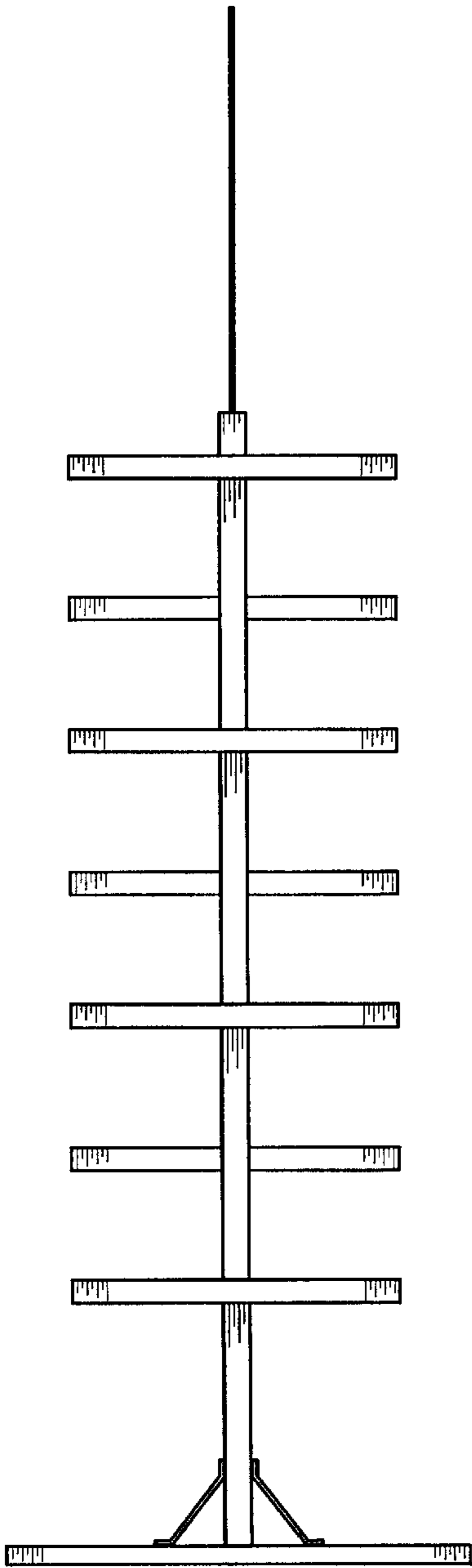


FIG. 2

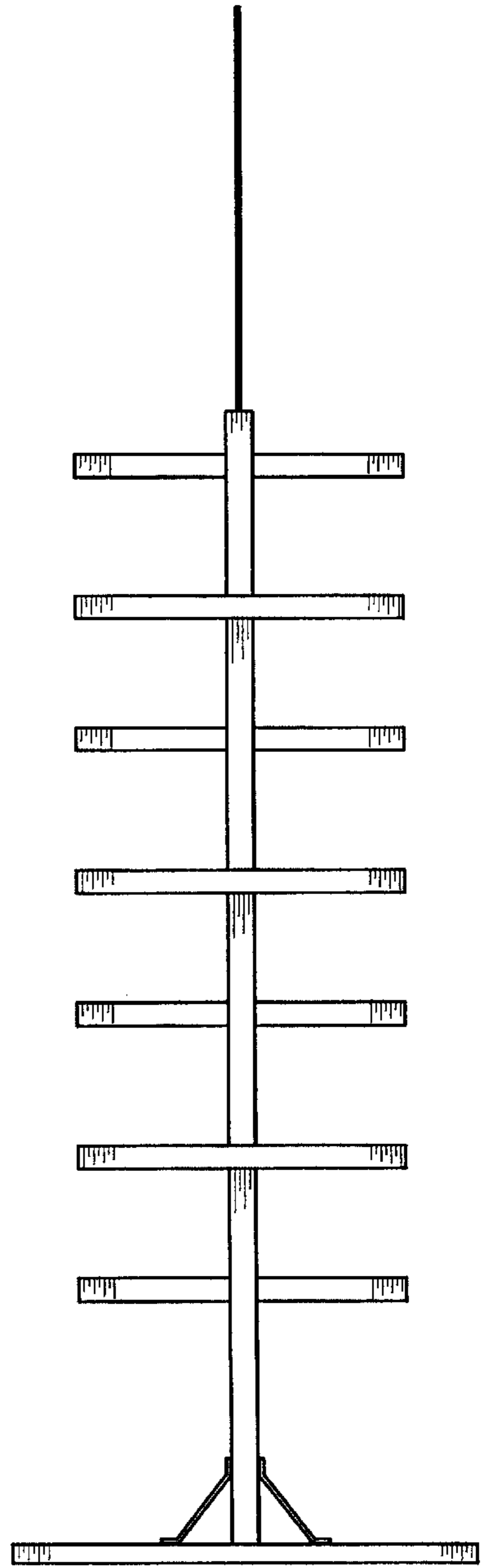


FIG. 3

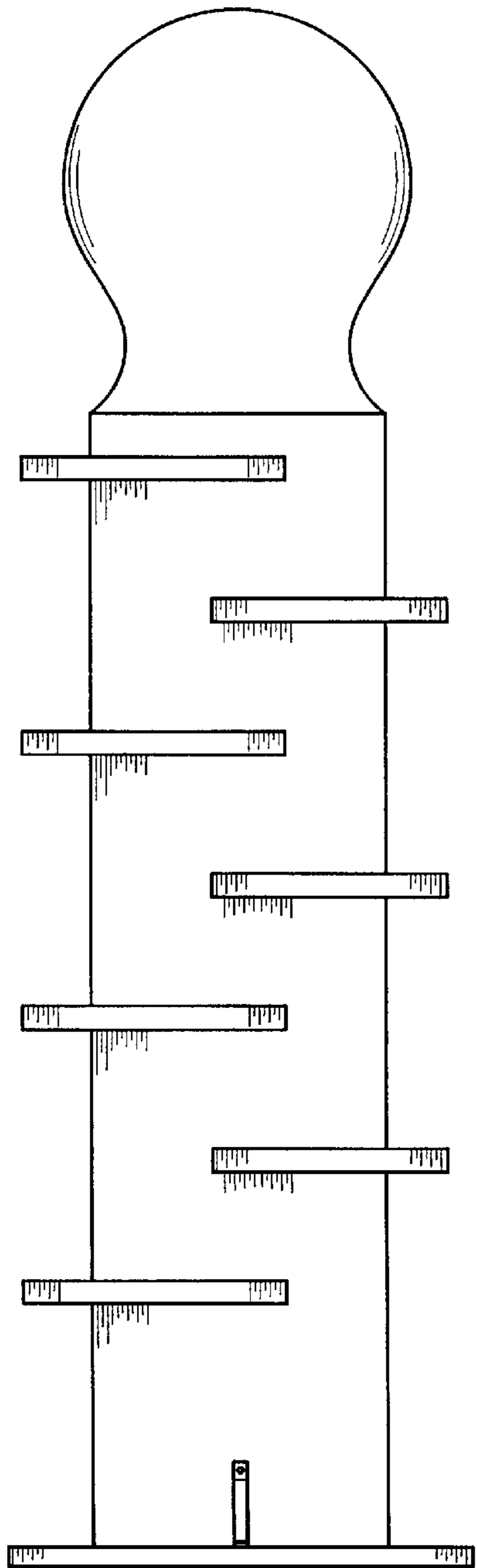


FIG. 4

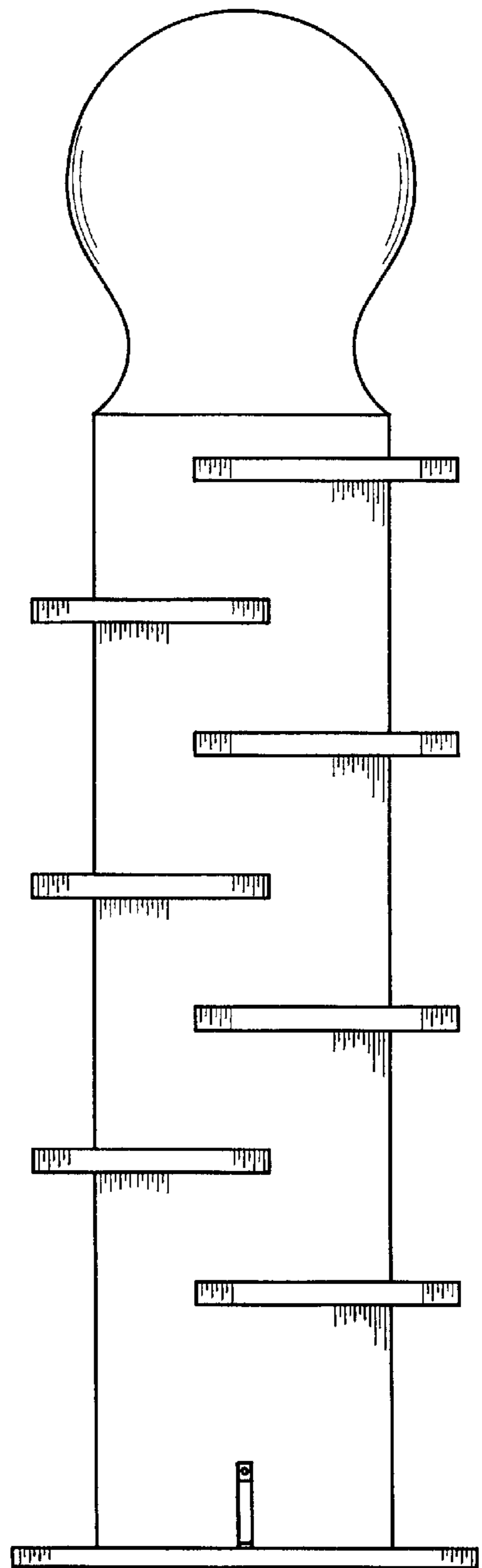


FIG. 5

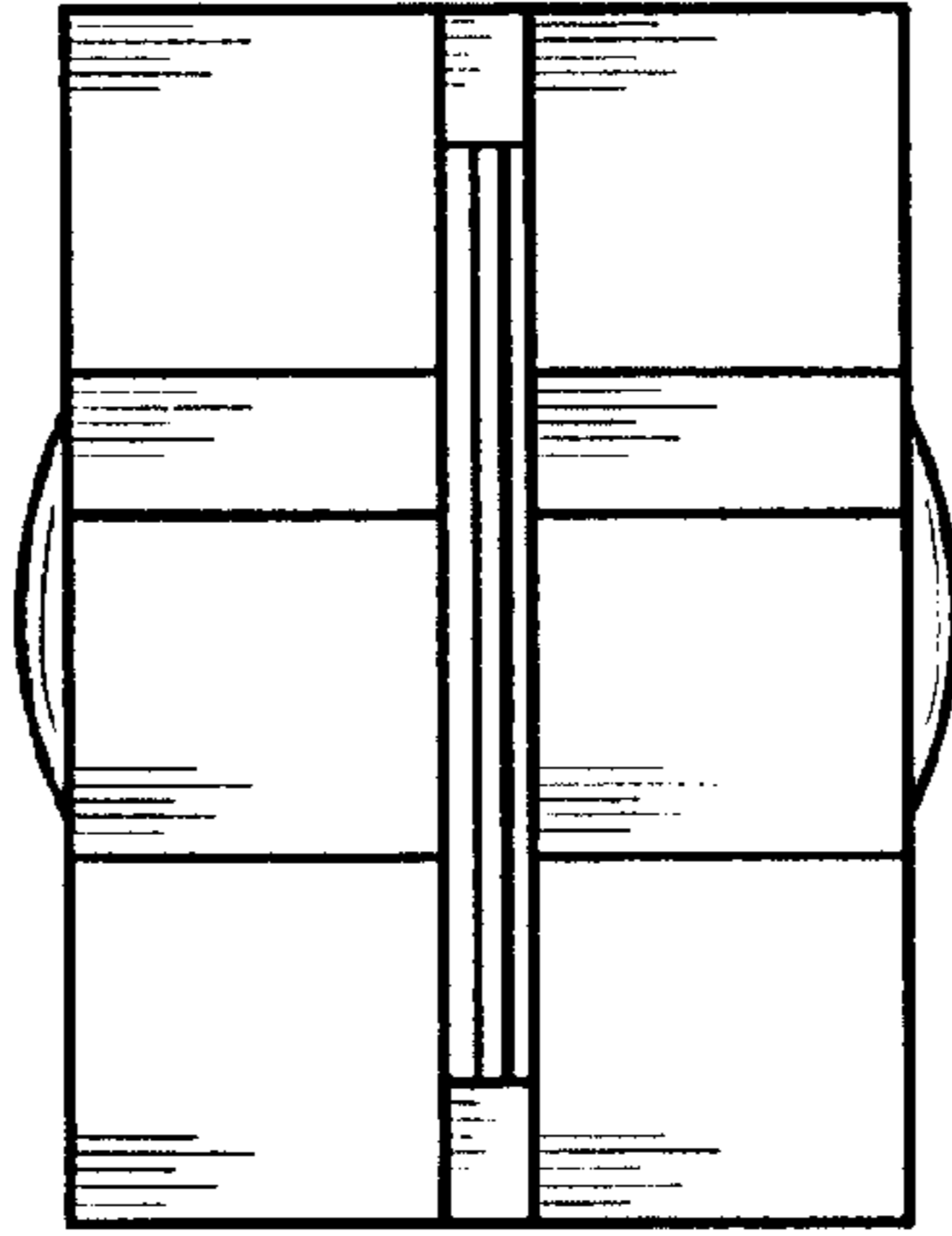


FIG. 6

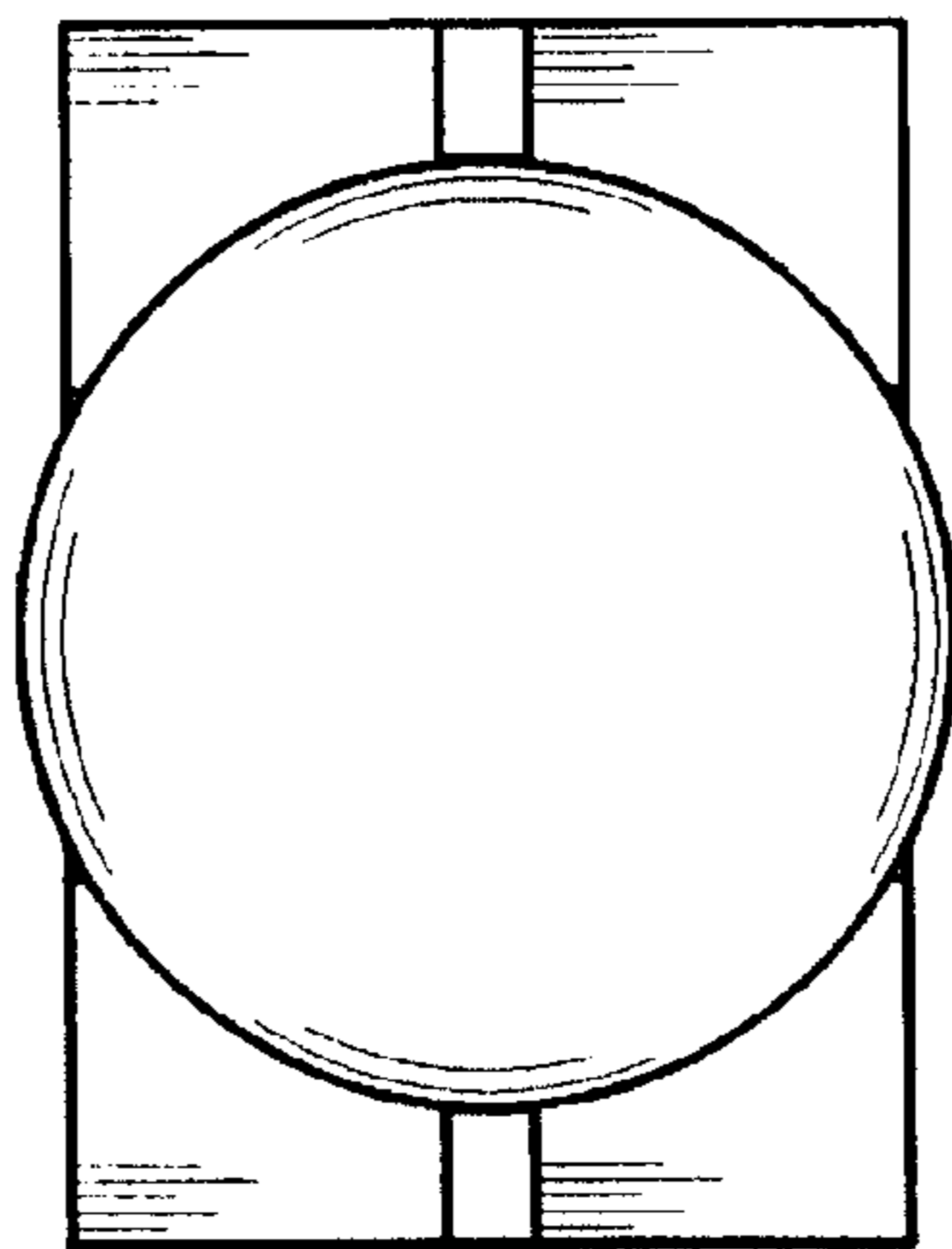


FIG. 7