



US00D478744S

(12) **United States Design Patent**
Ohtake

(10) **Patent No.:** **US D478,744 S**

(45) **Date of Patent:** **** Aug. 26, 2003**

(54) **REFRIGERATED SHOWCASE**

(75) Inventor: **Tomihiro Ohtake**, Aichi (JP)

(73) Assignee: **Hoshizaki Denki Kabushiki Kaisha**,
Aichi-ken (JP)

(**) Term: **14 Years**

(21) Appl. No.: **29/147,799**

(22) Filed: **Sep. 7, 2001**

(30) **Foreign Application Priority Data**

Mar. 12, 2001	(JP)	2001-006208
Mar. 12, 2001	(JP)	2001-006209
Mar. 12, 2001	(JP)	2001-006210
Mar. 12, 2001	(JP)	2001-006211

(51) **LOC (7) Cl.** **06-04**

(52) **U.S. Cl.** **D6/471**

(58) **Field of Search** D6/396, 397, 408,
D6/449, 470, 471, 472; D15/81, 83, 85;
312/114, 116

(56) **References Cited**

U.S. PATENT DOCUMENTS

D162,157 S	*	2/1951	Grieling	D6/470
D162,708 S	*	4/1951	Bently	D6/470
D203,489 S	*	1/1966	Cullen	D6/471
D350,658 S	*	9/1994	Graat	D6/471

* cited by examiner

Primary Examiner—Cathron C. Brooks

(74) *Attorney, Agent, or Firm*—Wenderoth, Lind & Ponack,
L.L.P.

(57) **CLAIM**

The ornamental design for a refrigerated showcase, as shown and described.

DESCRIPTION

FIG. 1 is a front elevational view of a first embodiment of a refrigerated showcase, showing our new design;
 FIG. 2 is a rear elevational view thereof;
 FIG. 3 is a left side elevational view thereof;
 FIG. 4 is a top plan view thereof;
 FIG. 5 is a bottom plan view thereof;
 FIG. 6 is a perspective view thereof;
 FIG. 7 is a greatly enlarged cross-sectional view thereof, taken along line 7—7 in FIG. 1;
 FIG. 8 is an enlarged cross-sectional view thereof, taken along line 8—8 in FIG. 1;
 FIG. 9 is a front elevational view of a second embodiment of a refrigerated showcase, showing our new design;
 FIG. 10 is a rear elevational view thereof;
 FIG. 11 is a left side elevational view thereof;
 FIG. 12 is a top plan view thereof;
 FIG. 13 is a bottom plan view thereof;
 FIG. 14 is a perspective view thereof;
 FIG. 15 is a greatly enlarged cross-sectional view thereof, taken along line 15—15 in FIG. 9; and,
 FIG. 16 is an enlarged cross-sectional view thereof, taken along line 16—16 in FIG. 9.

1 Claim, 12 Drawing Sheets

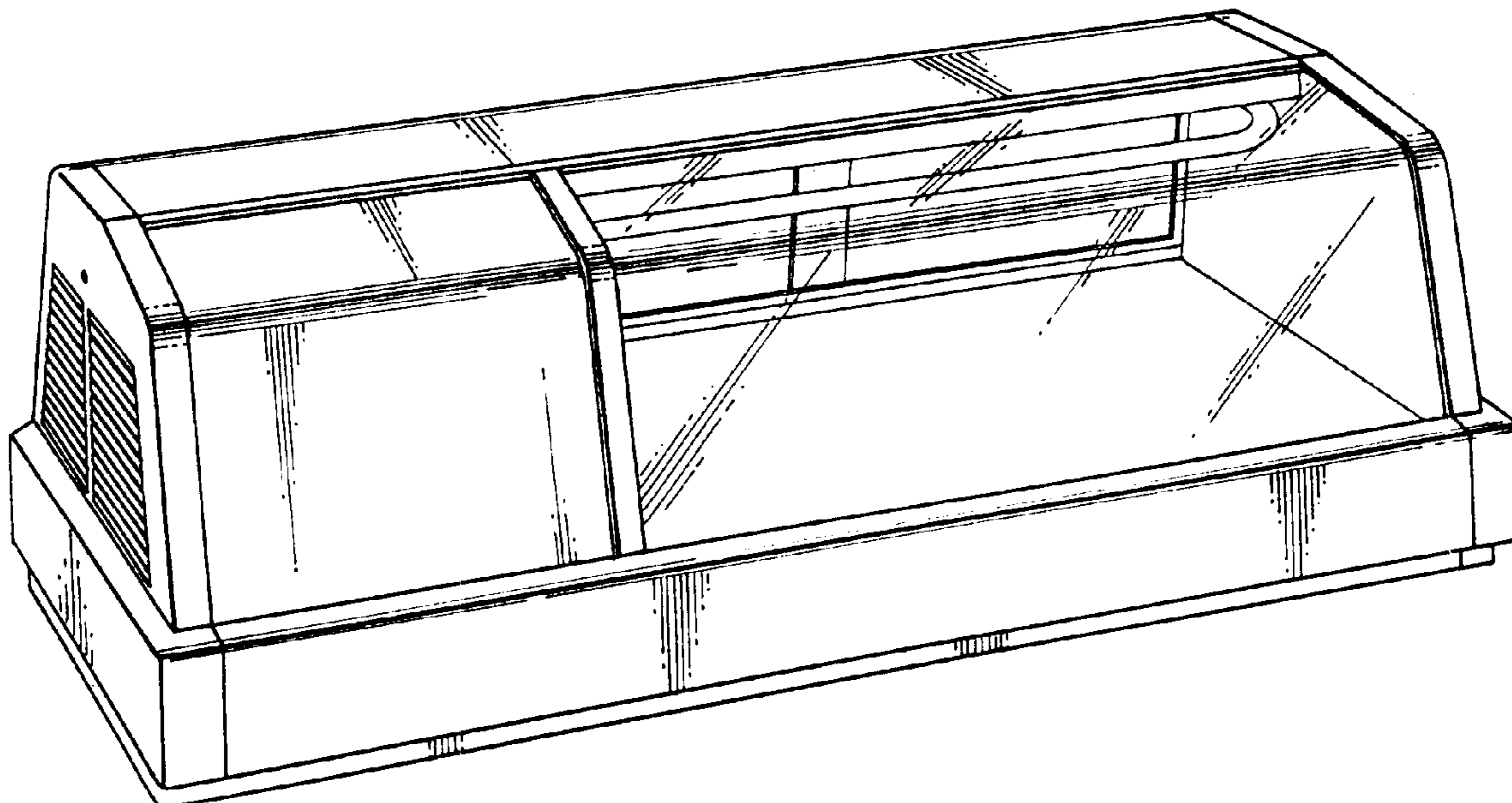


FIG. 1

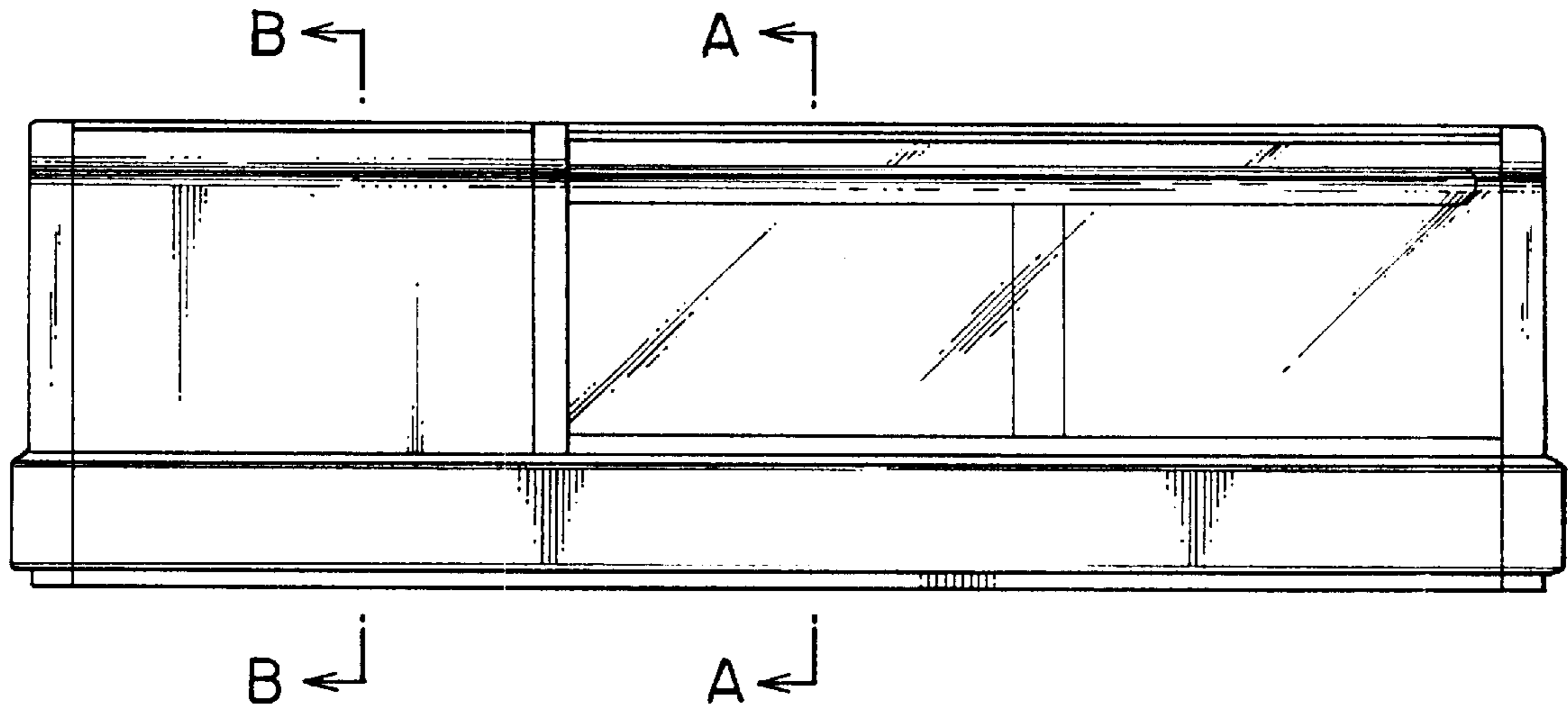


FIG. 2

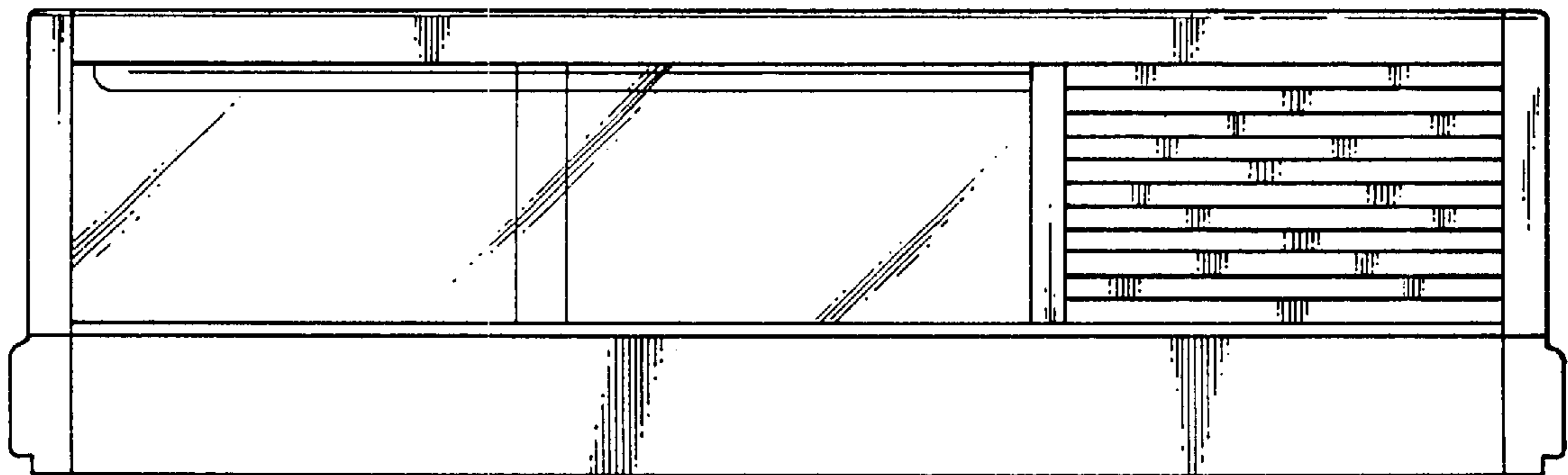


FIG. 3

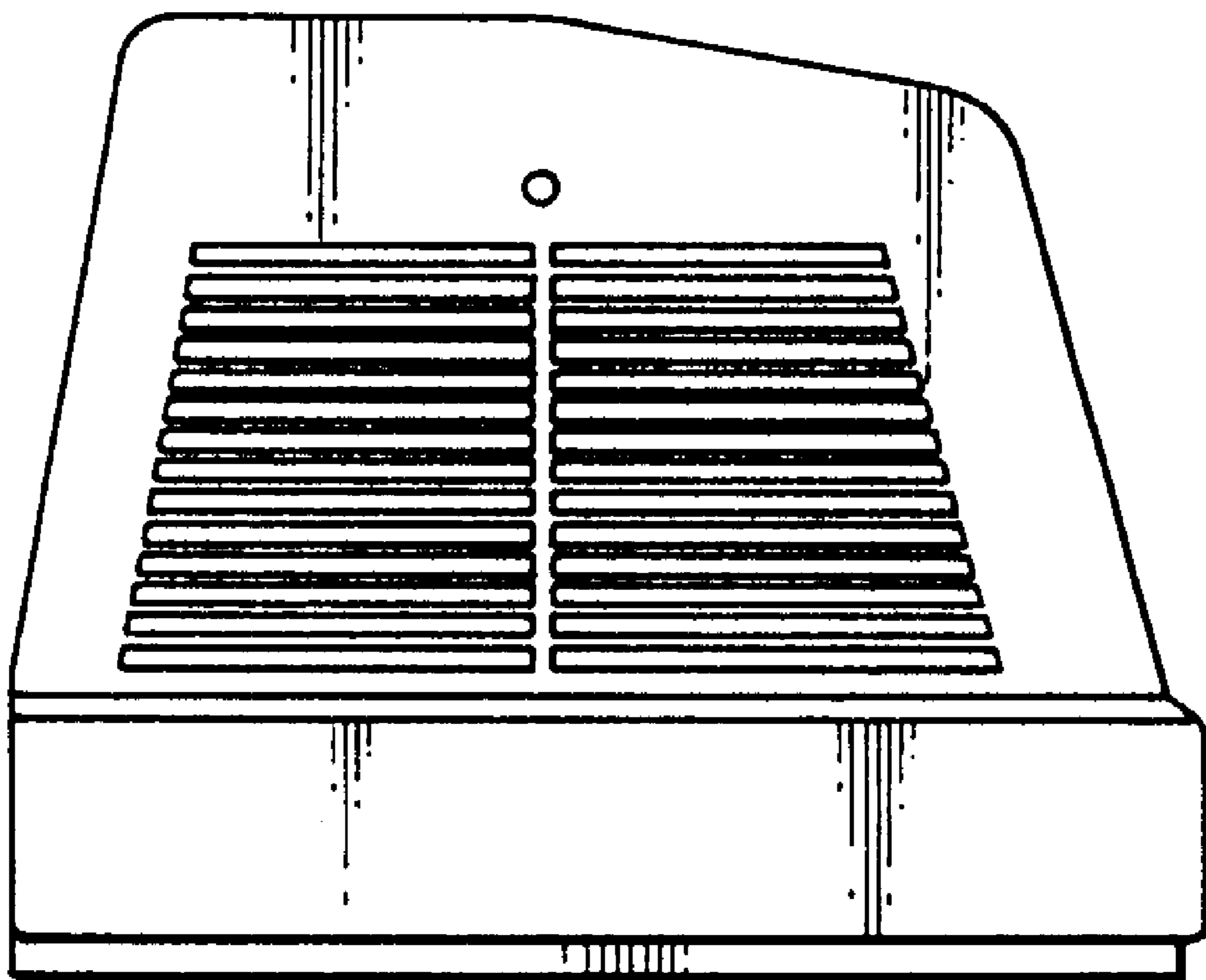


FIG. 4

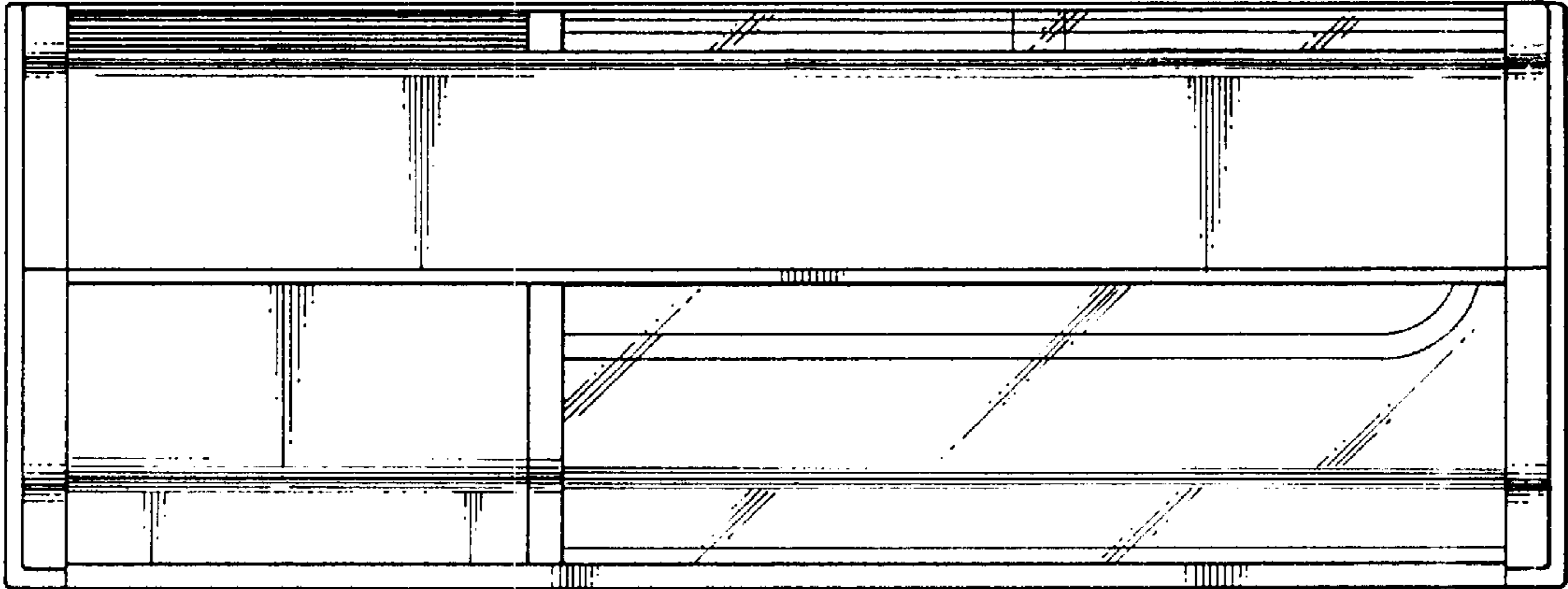


FIG. 5

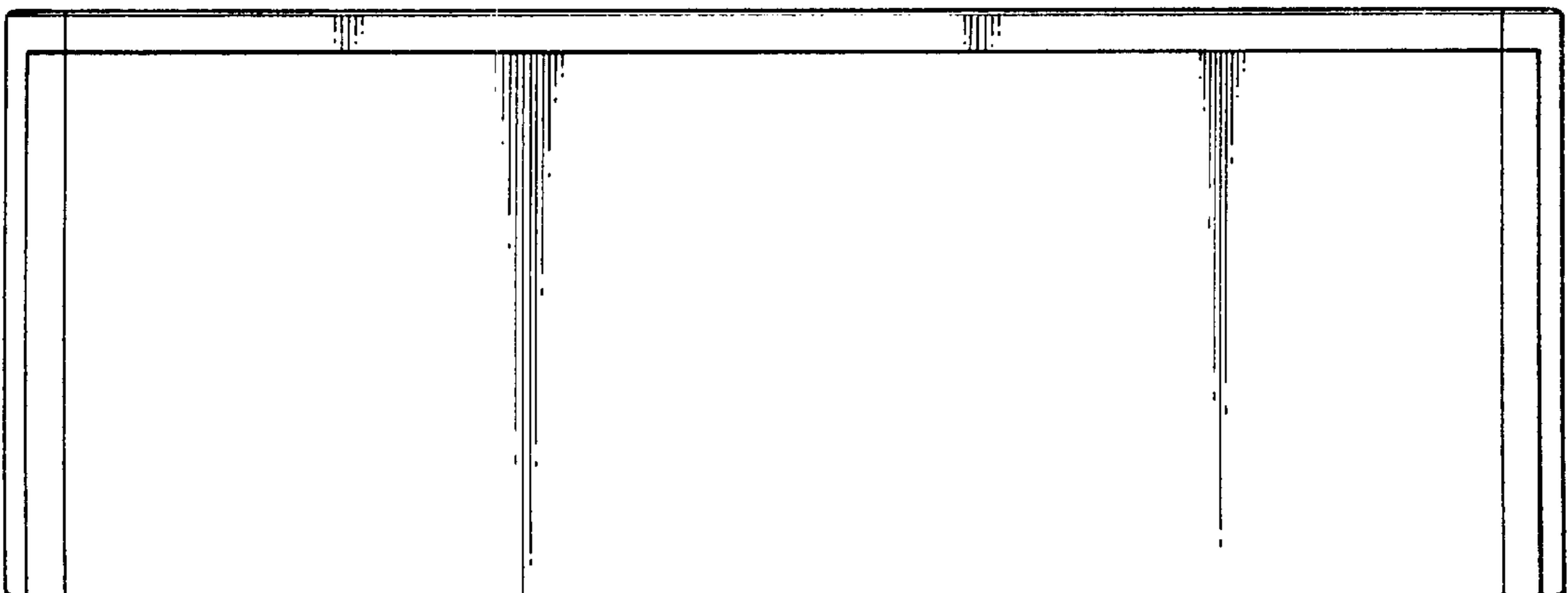


FIG. 6

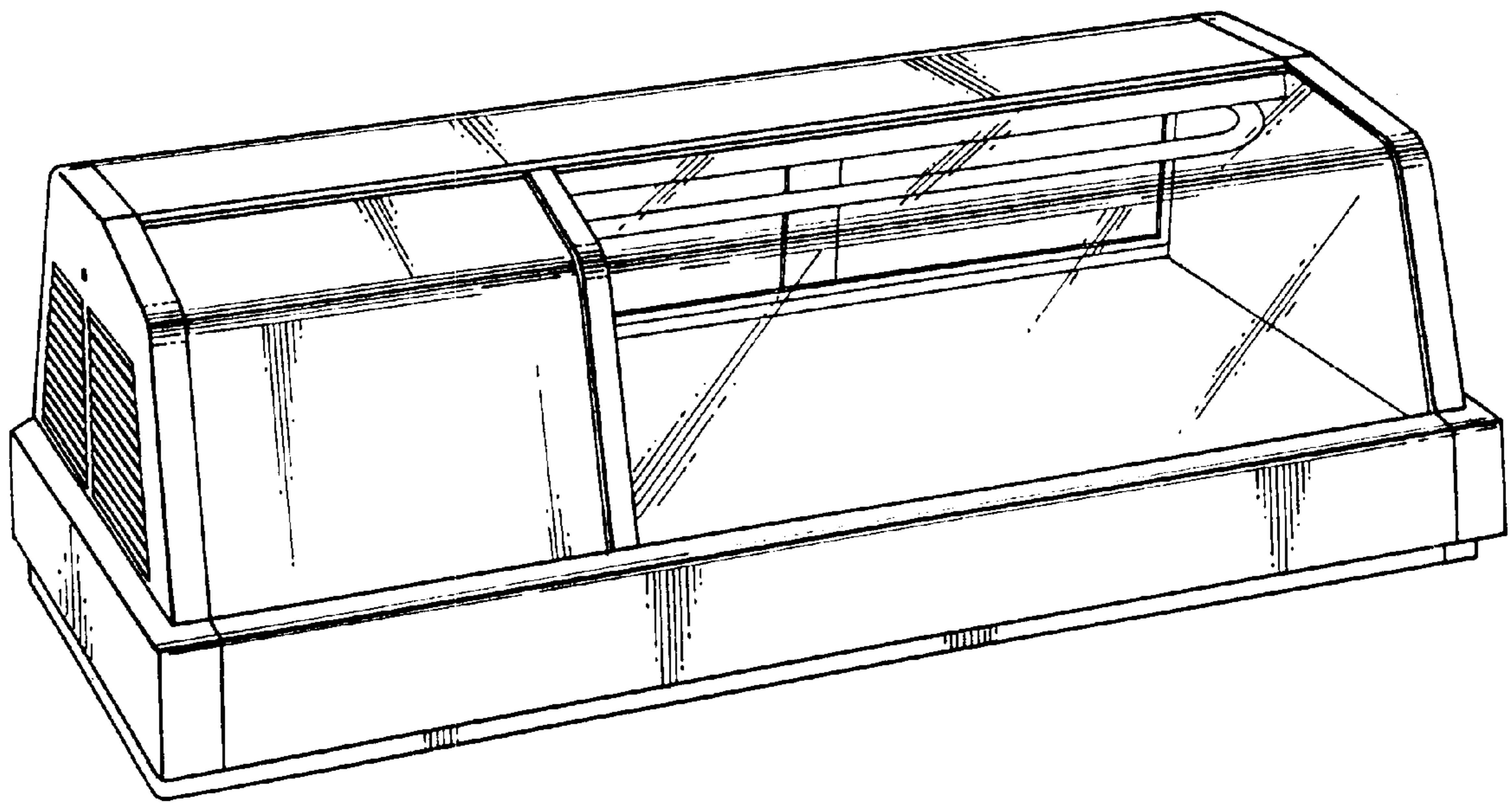


FIG. 7

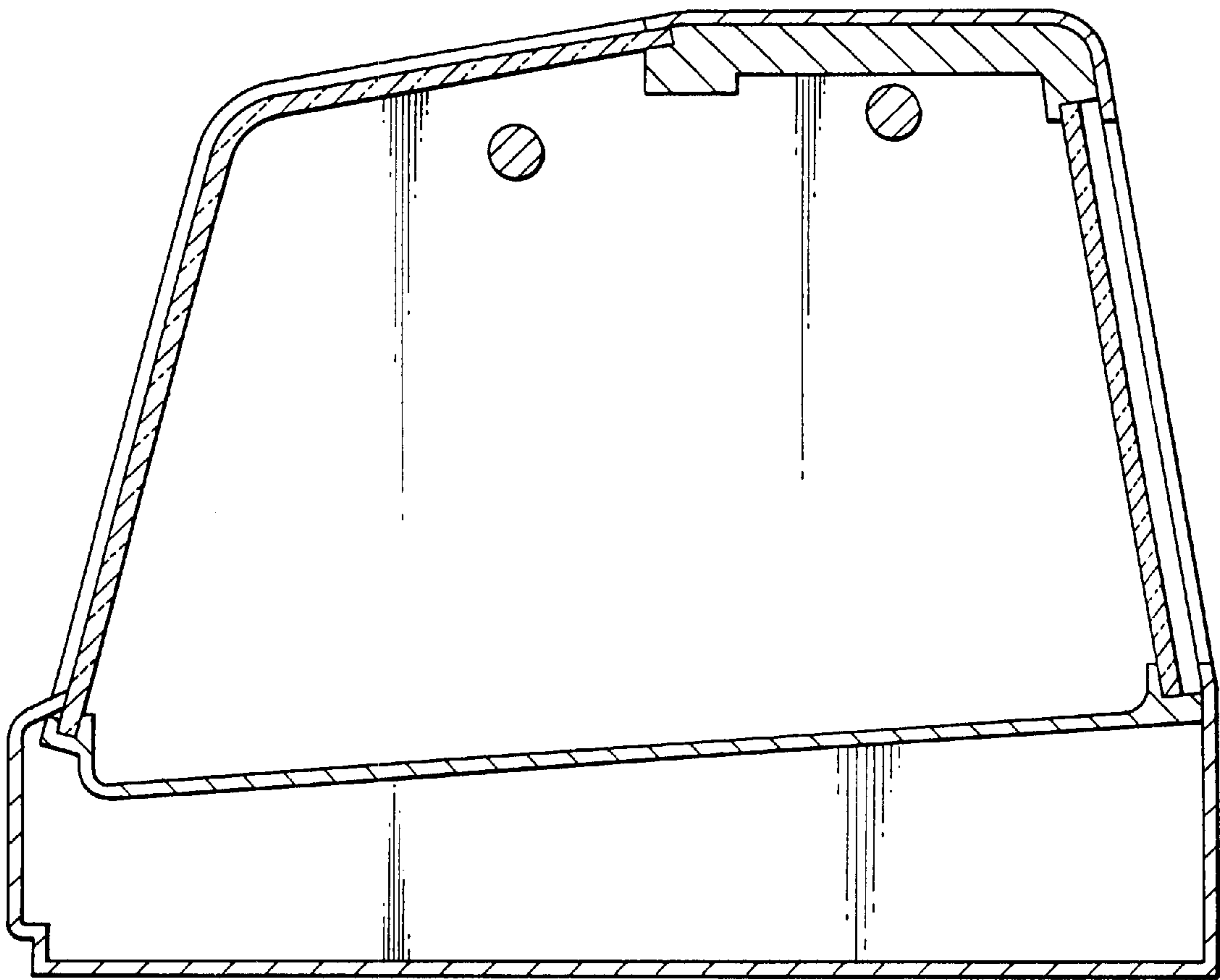


FIG. 8

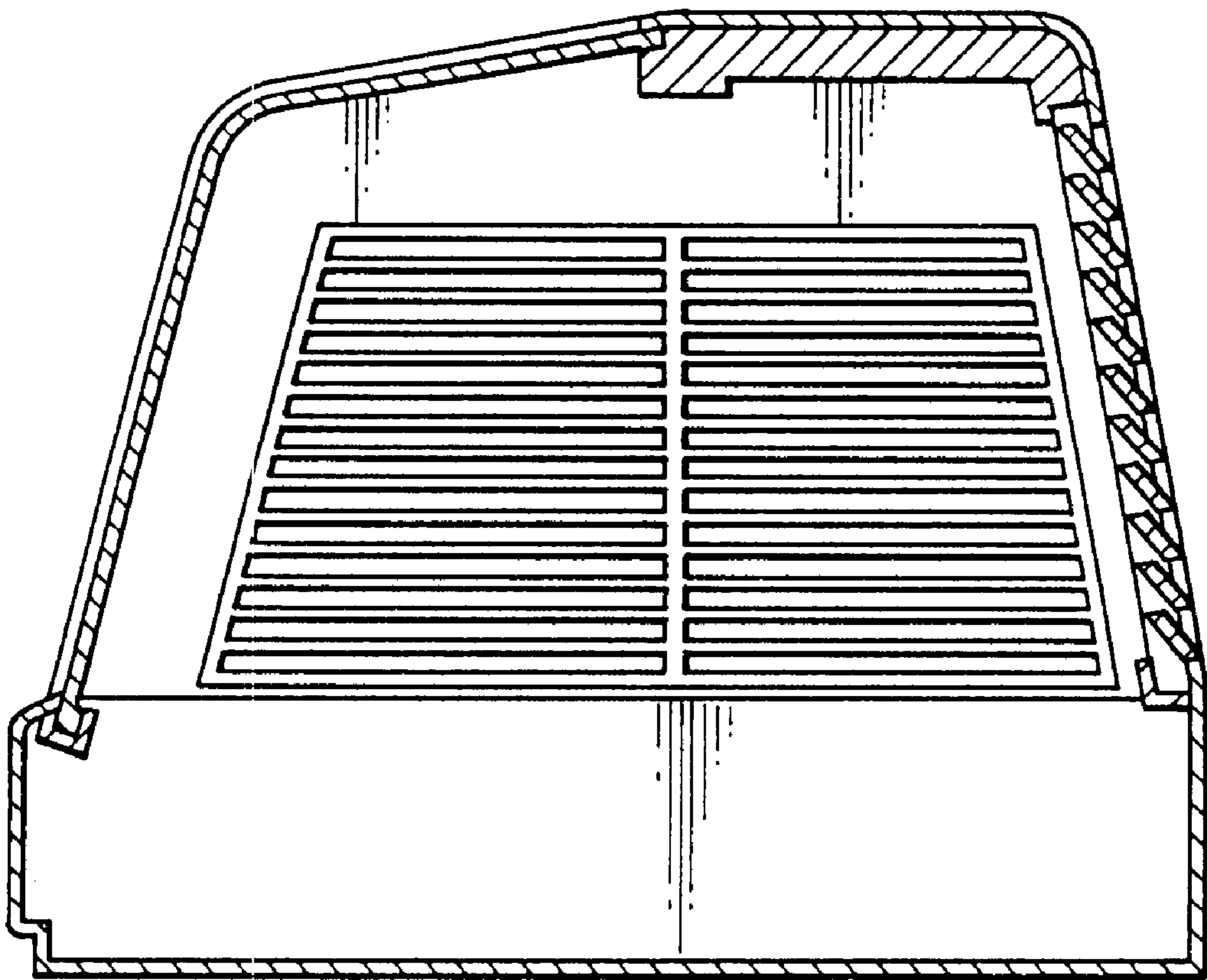


FIG. 9

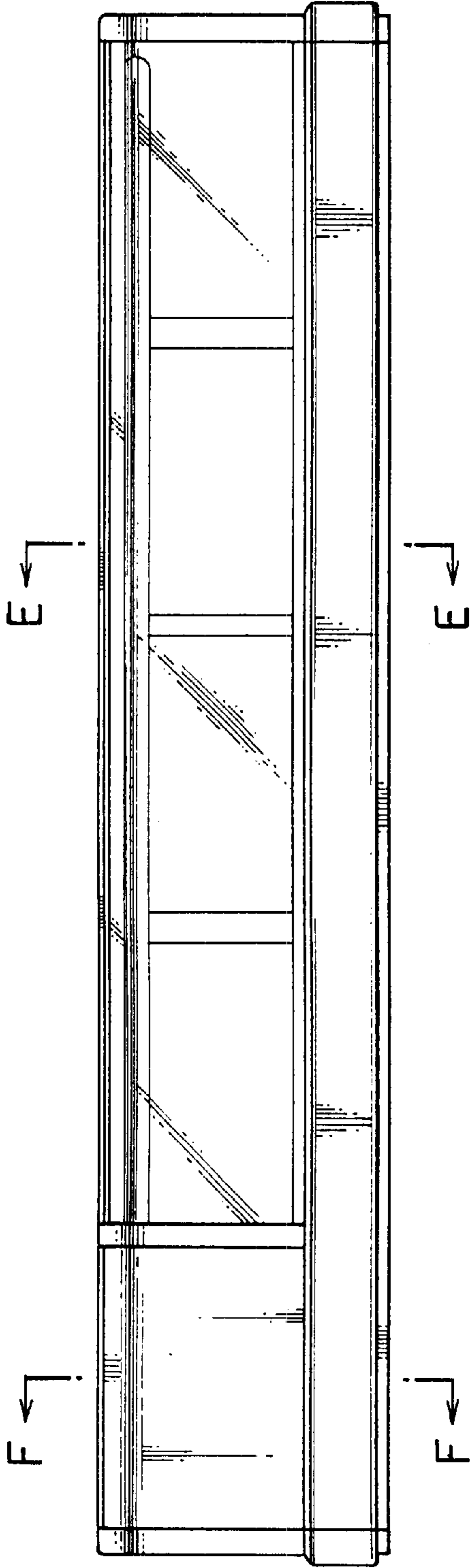


FIG. 10

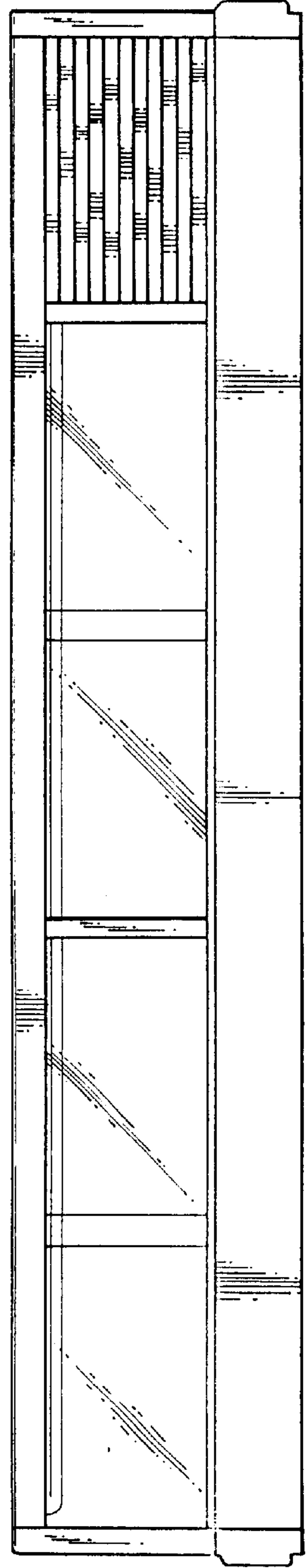


FIG. 11

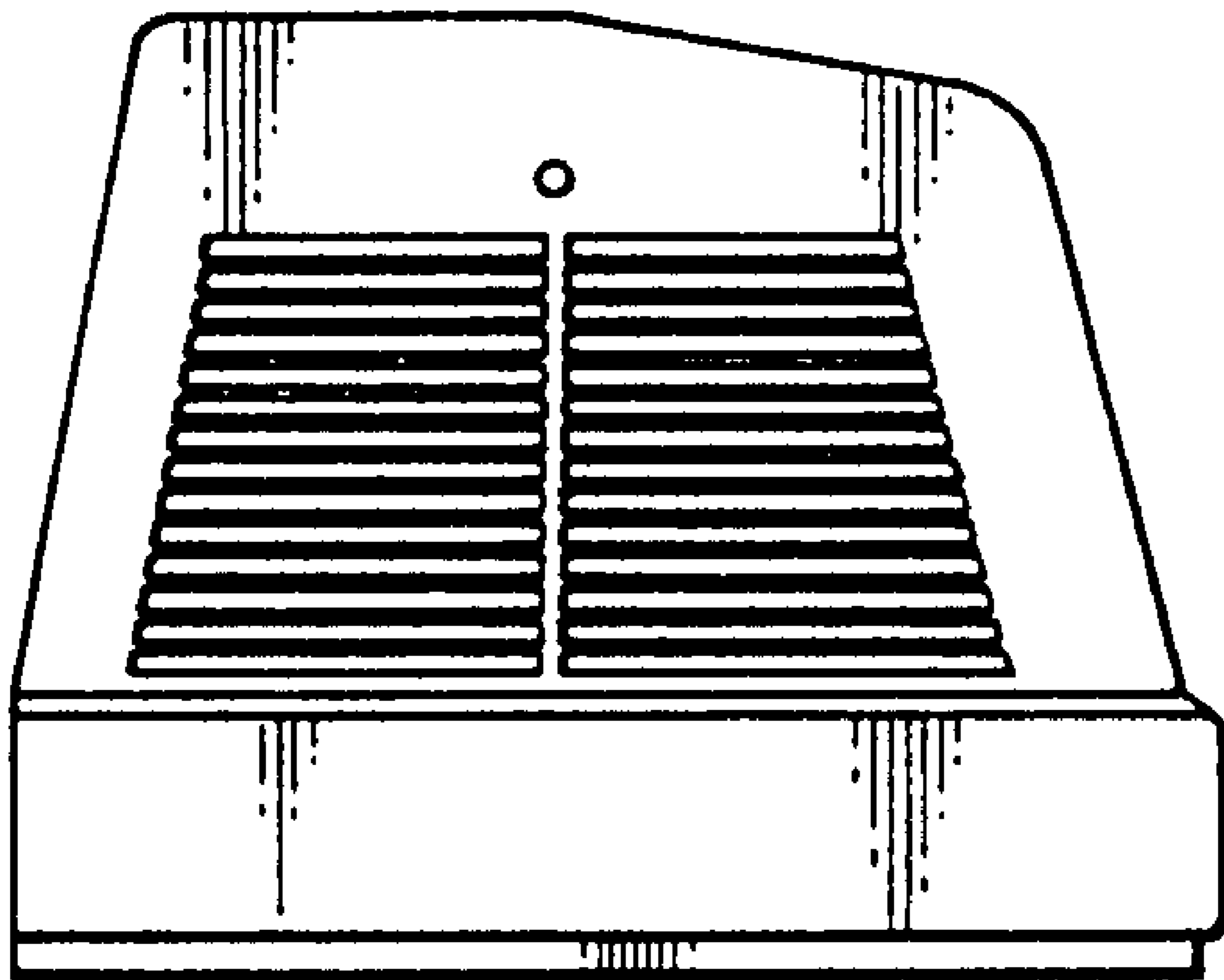


FIG. 12

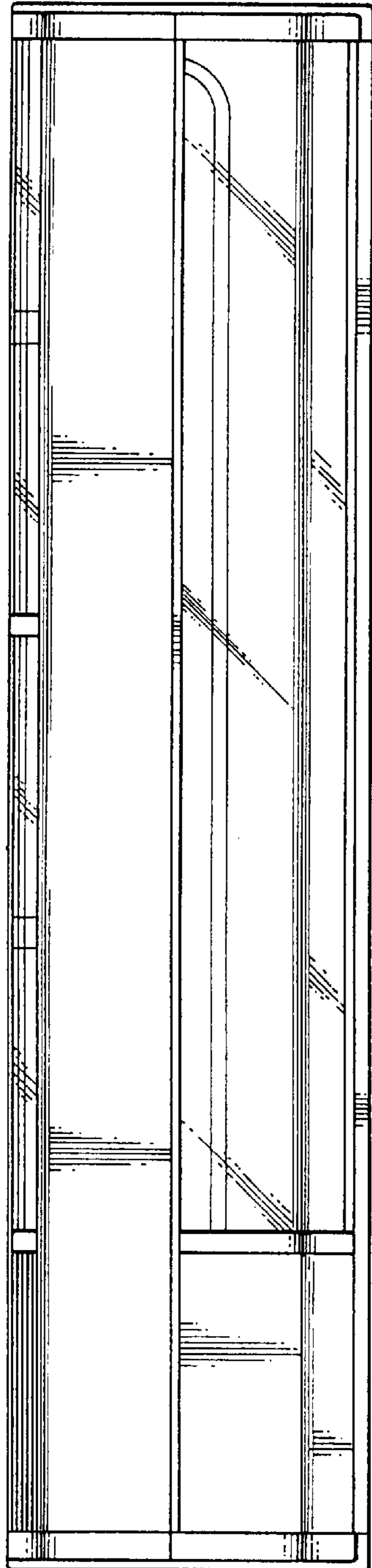


FIG. 13

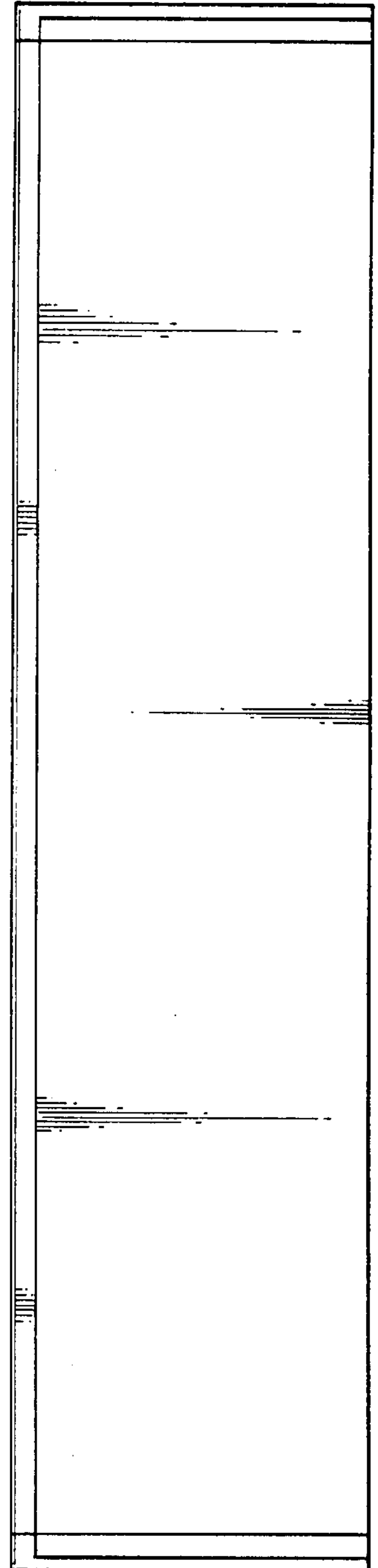


FIG. 14

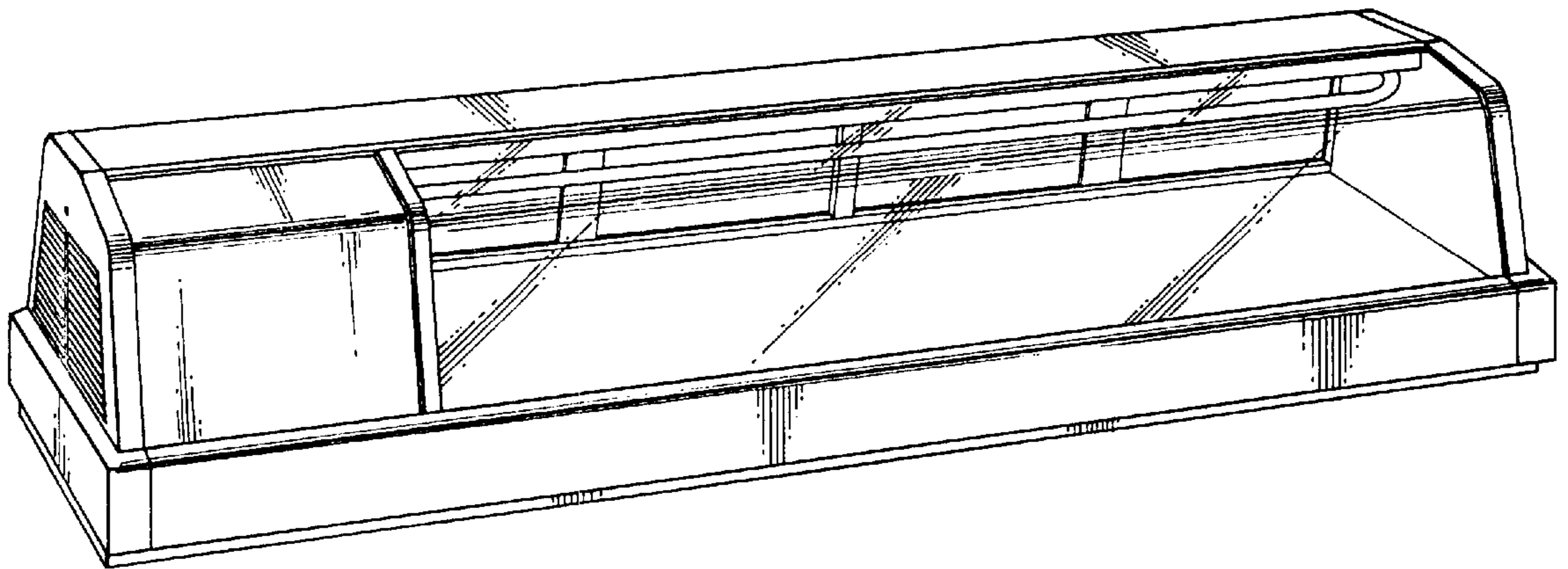


FIG. 15

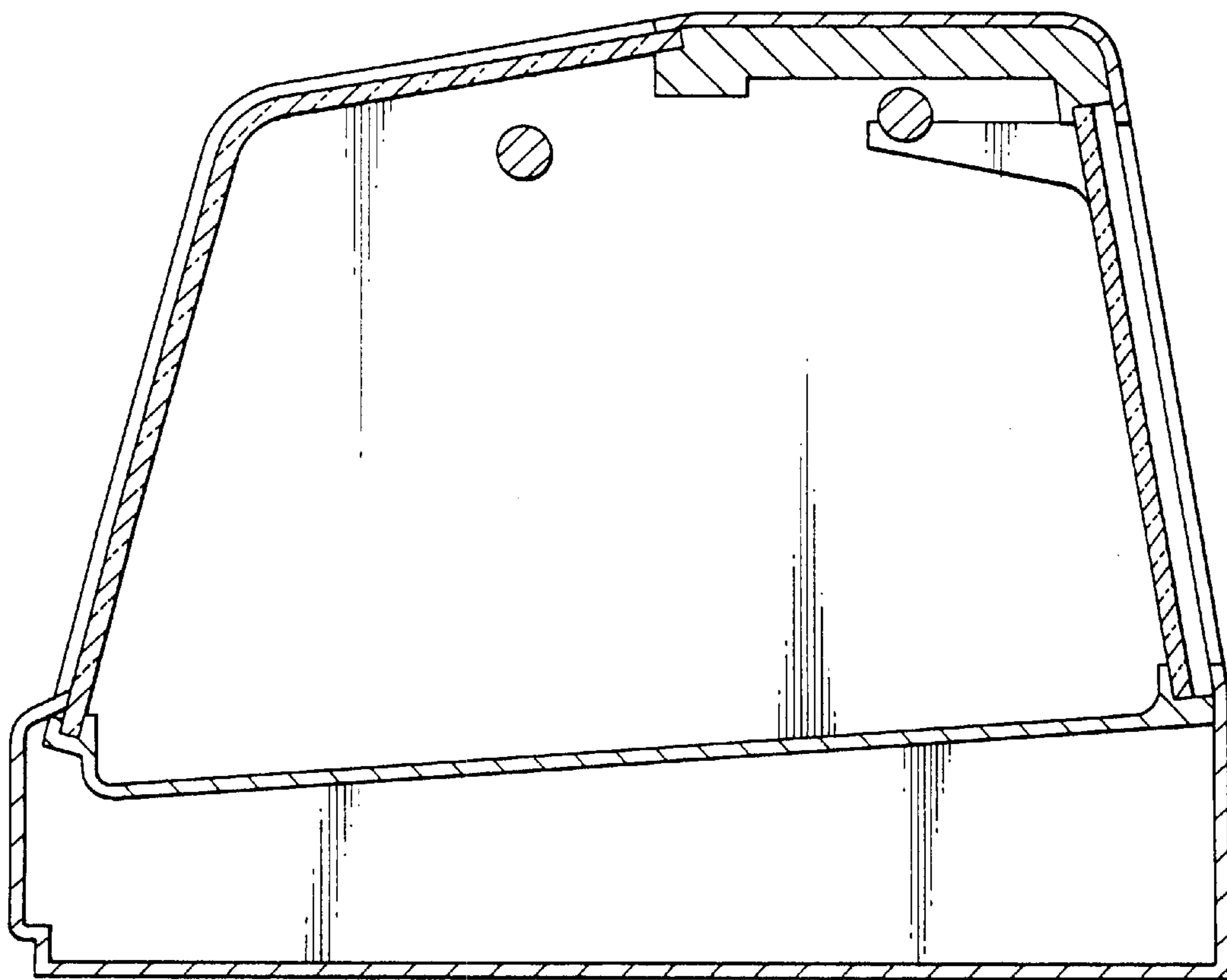


FIG. 16

