



US00D478742S

(12) **United States Design Patent**
Willat et al.

(10) **Patent No.:** **US D478,742 S**

(45) **Date of Patent:** **** Aug. 26, 2003**

(54) **PEN DISPLAY**

D322,463 S * 12/1991 Hansen D19/92

(75) Inventors: **Boyd Willat**, Los Angeles, CA (US);
Adrian Cordova, San Diego, CA (US);
Robert Portillo, Carlsbad, CA (US);
Jeffrey M. Garcia, Carlsbad, CA (US)

FOREIGN PATENT DOCUMENTS

JP 2001197979 A * 7/2001 6/4

* cited by examiner

(73) Assignee: **Willat**, Carlsbad, CA (US)

Primary Examiner—Cathron C. Brooks

(**) Term: **14 Years**

(74) *Attorney, Agent, or Firm*—Marshall, Gerstein & Borun

(21) Appl. No.: **29/170,535**

(57) **CLAIM**

(22) Filed: **Nov. 7, 2002**

The ornamental design for a pen display, as shown and described.

(51) **LOC (7) Cl.** **06-04**

DESCRIPTION

(52) **U.S. Cl.** **D6/468; D6/479**

FIG. 1 is a top left perspective view of a pen display embodying our new design.

(58) **Field of Search** D6/396, 397, 436,
D6/437, 411, 415, 449, 455-469; 108/59,
91, 92, 93, 94; 211/11, 13.1, 85.1, 85.2,
85.4, 70, 78, 107, 131.1, 133.2, 163, 164,
181.1, 182

FIG. 2 is a front elevational view of the pen display of FIG. 1.

FIG. 3 is a left elevational view of the pen display of FIG. 1.

FIG. 4 is a right elevational view of the pen display of FIG. 1.

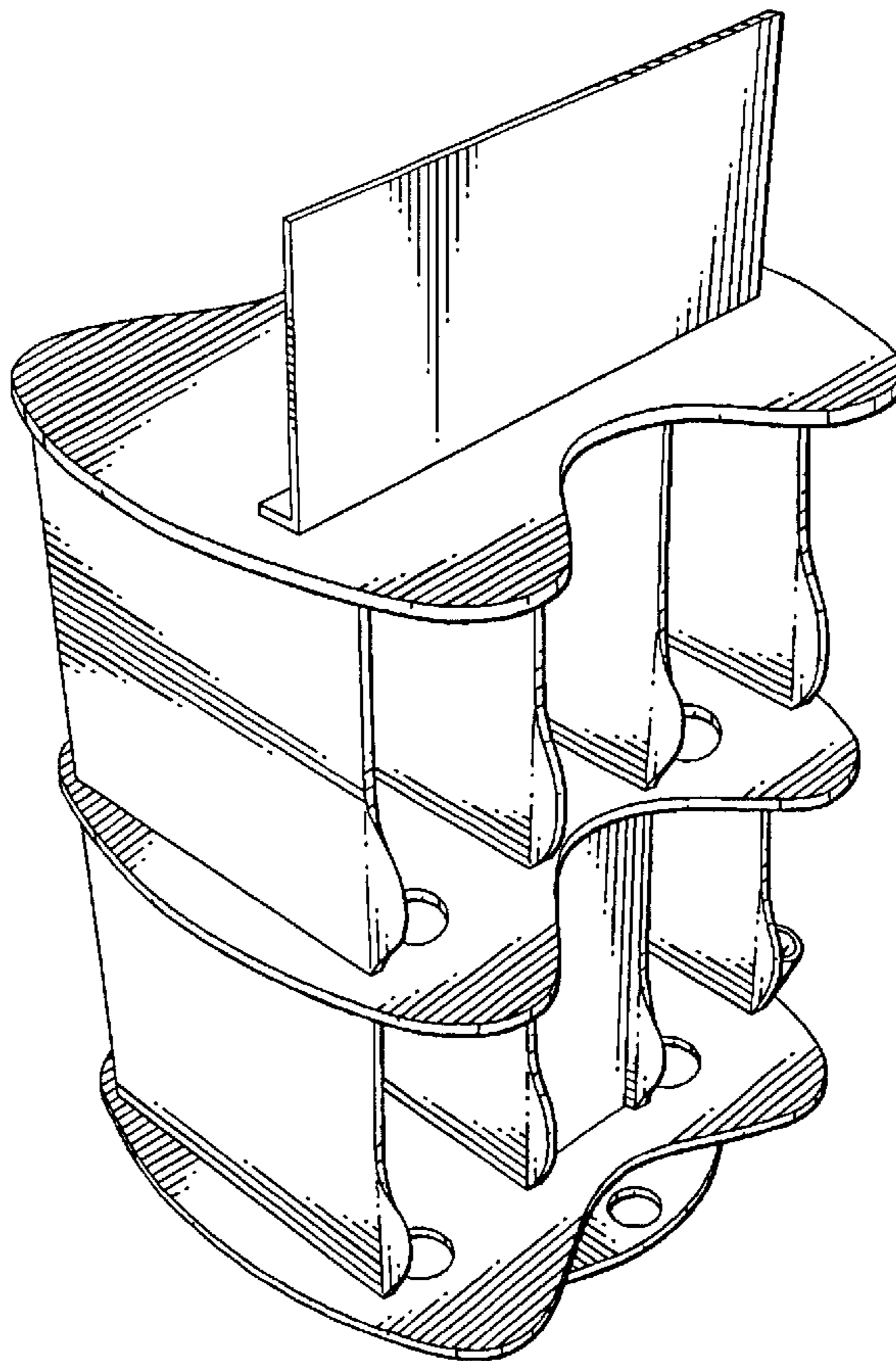
(56) **References Cited**

U.S. PATENT DOCUMENTS

D179,079 S * 10/1956 Hopper D6/474
D235,595 S * 7/1975 Dogliotti D6/468
4,140,223 A * 2/1979 Rau et al. 211/78

FIG. 5 is a top plan view of the pen display of FIG. 1; and, FIG. 6 is a rear elevational view of the pen display of FIG. 1.

1 Claim, 3 Drawing Sheets



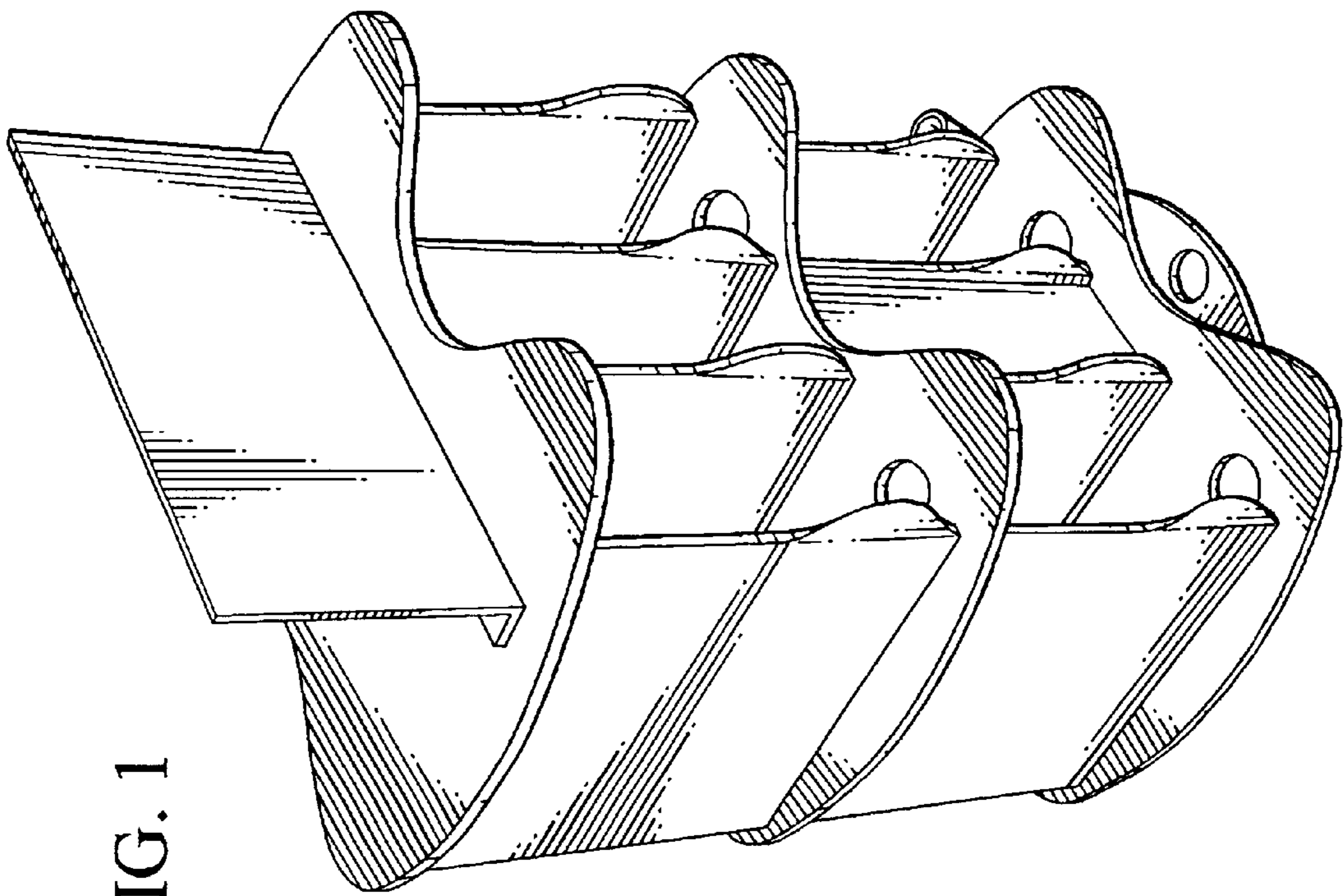


FIG. 1

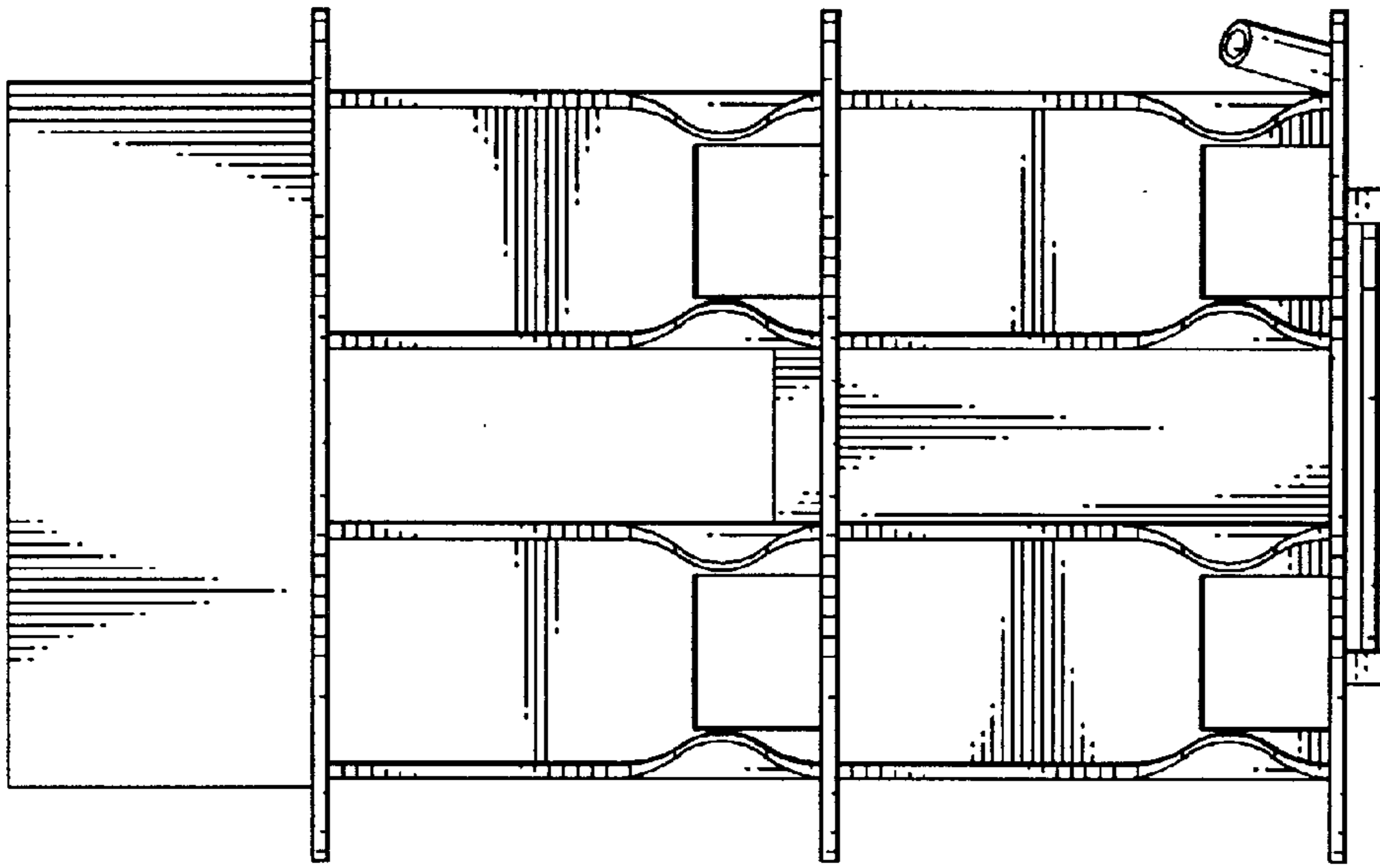


FIG. 2

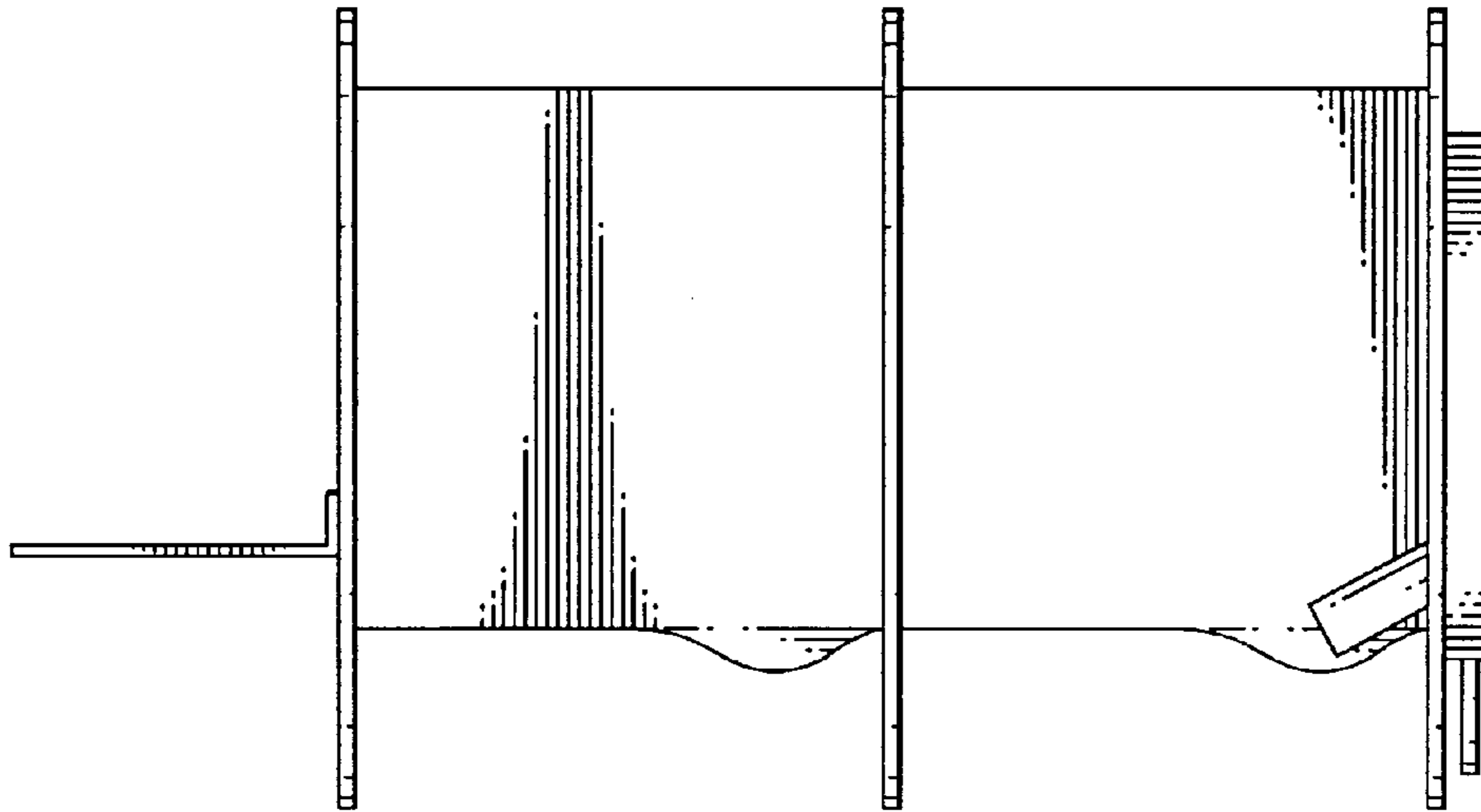


FIG. 4

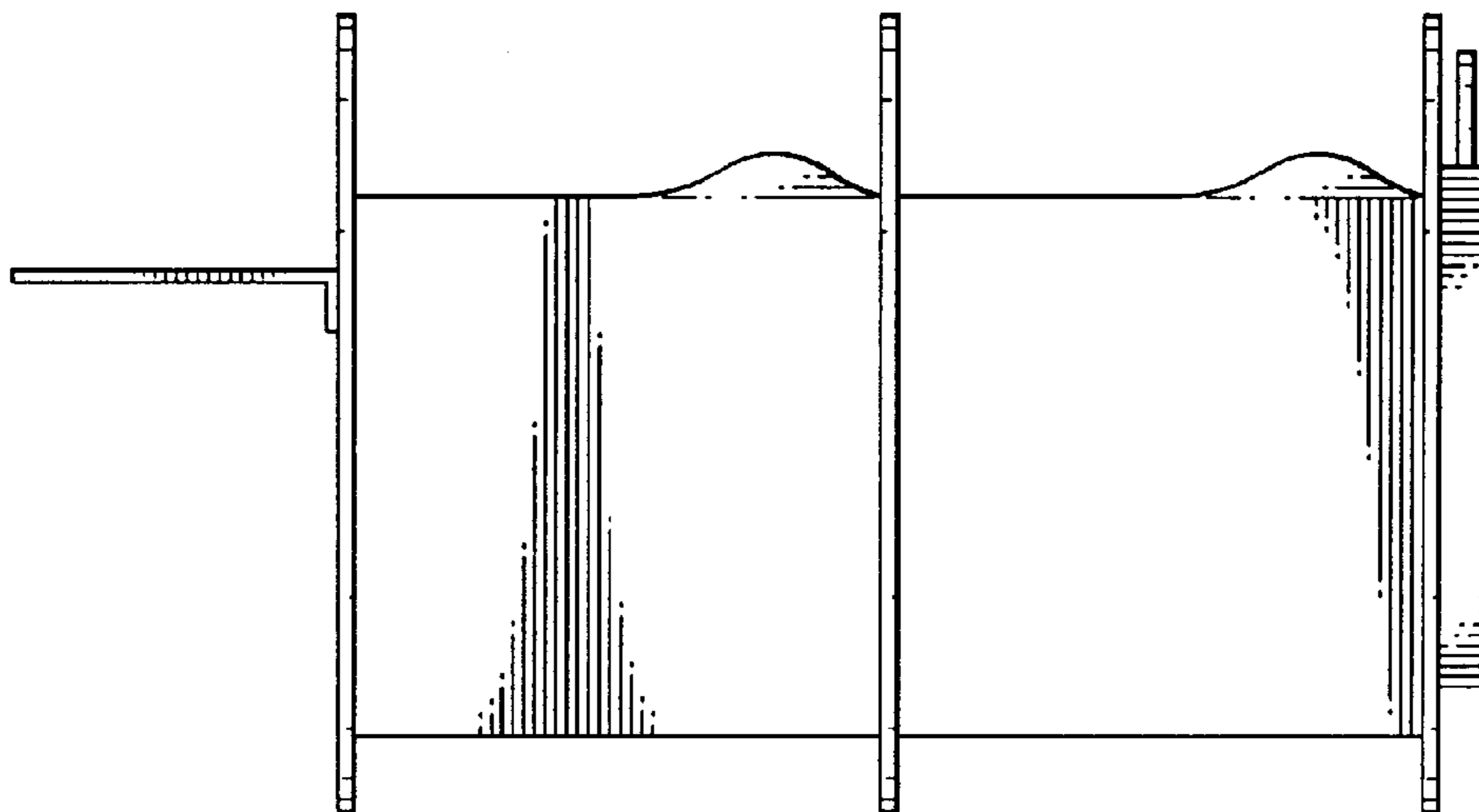


FIG. 3

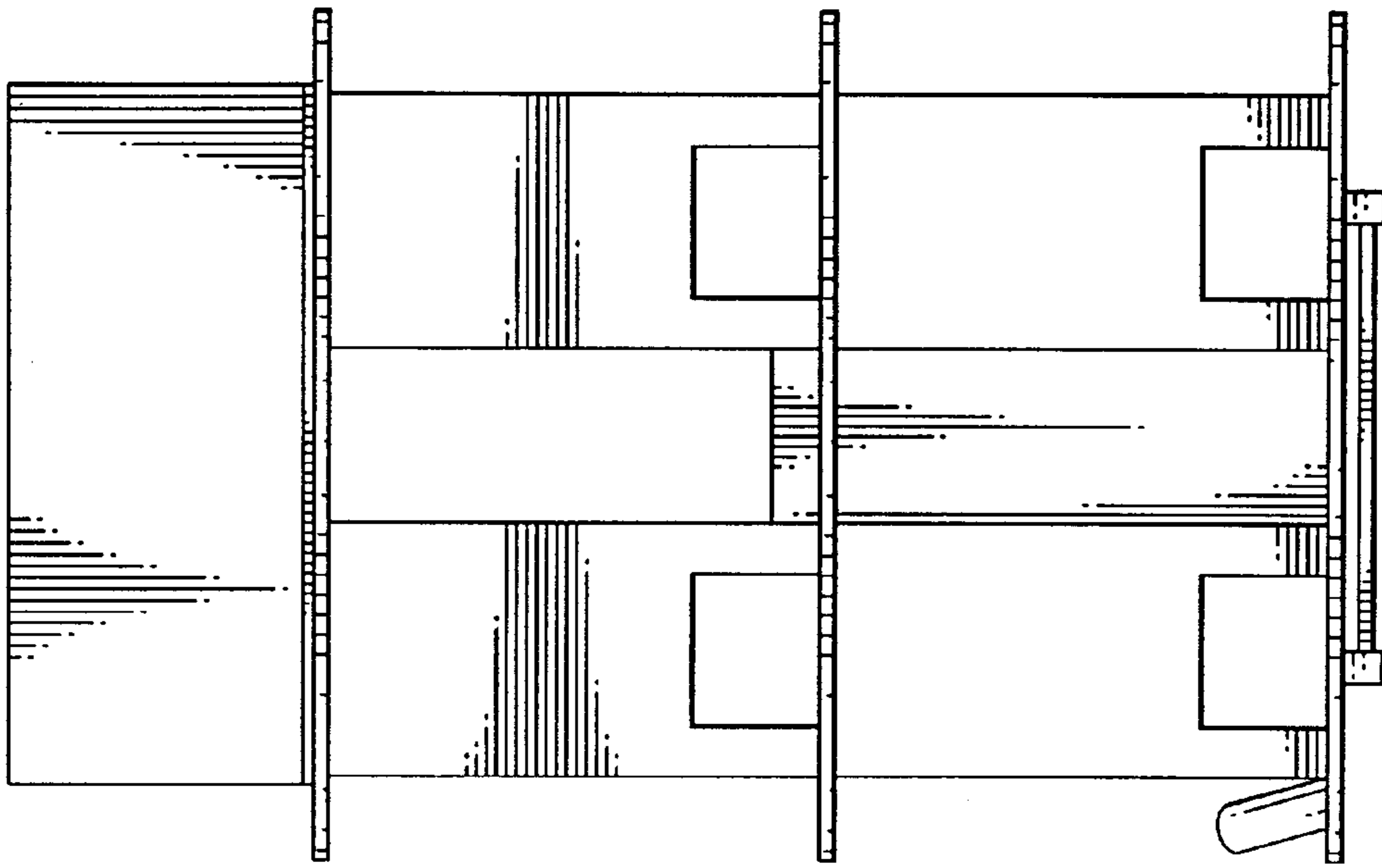


FIG. 6

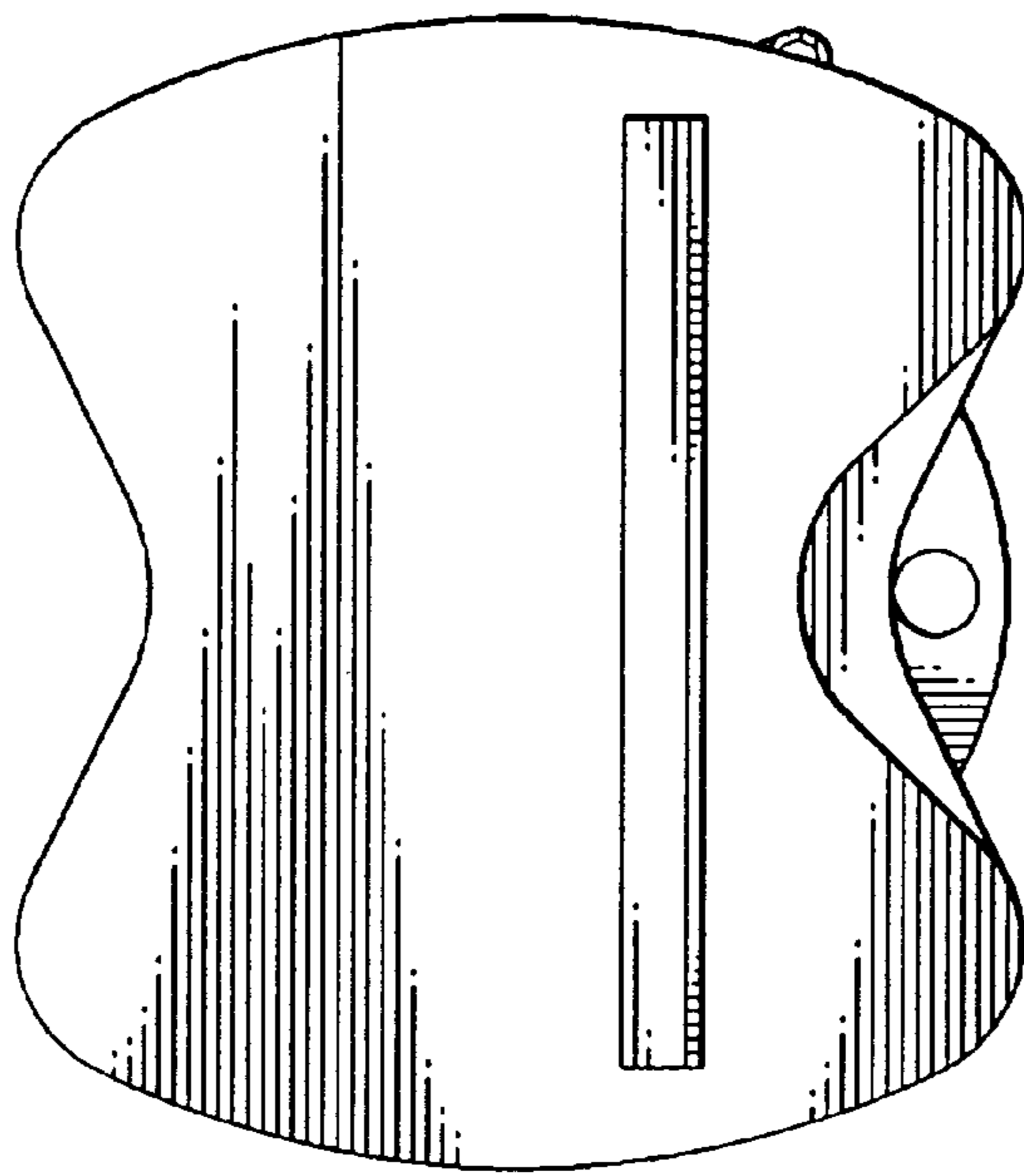


FIG. 5