



US00D478741S

(12) **United States Design Patent**
White

(10) **Patent No.:** **US D478,741 S**

(45) **Date of Patent:** **** Aug. 26, 2003**

(54) **HOLDER FOR CELL PHONE AND OTHER ARTICLES**

D449,712 S * 10/2001 Glemain D28/73

* cited by examiner

(76) Inventor: **Ricky D. White**, 373 Blue Oak La., Clayton, CA (US) 94517

Primary Examiner—Janice E. Seeger
(74) *Attorney, Agent, or Firm*—Thomas R. Lampe

(**) Term: **14 Years**

(57) **CLAIM**

(21) Appl. No.: **29/153,322**

The ornamental design for holder for cell phone and other articles, as shown and described.

(22) Filed: **Jan. 2, 2002**

DESCRIPTION

(51) **LOC (7) Cl.** **06-06**

FIG. 1 is a perspective view of holder for cell phone and other articles showing my design which includes an insert and an outer portion containing the insert;

(52) **U.S. Cl.** **D6/467; D6/469**

FIG. 2 is a top plan view thereof;

(58) **Field of Search** D6/449, 466, 467, D6/468, 469, 415, 416, 419; 211/13.1, 85.4, 85.26, 41.12, 85.1; D19/85, 77, 78; 248/176.1; D7/637; D28/173

FIG. 3 is a left side elevation view thereof, the right side elevation view being a mirror image;

(56) **References Cited**

U.S. PATENT DOCUMENTS

- D311,027 S * 10/1990 Yuen D19/73
- D333,839 S * 3/1993 Kiyokane D19/73
- D428,925 S * 8/2000 Brouwer et al. D19/85

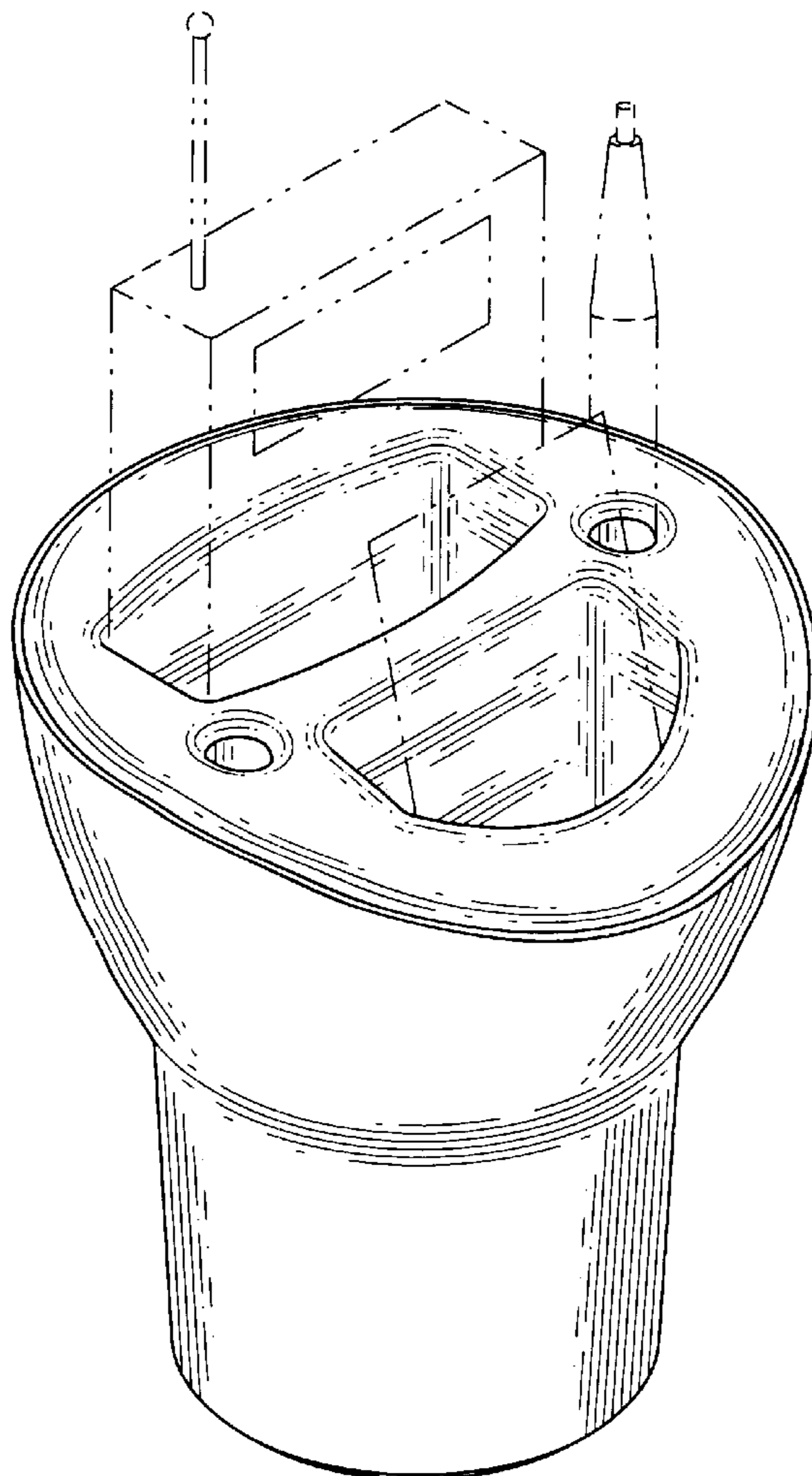
FIG. 4 is a front elevation view thereof;

FIG. 5 is a rear elevation view thereof; and,

FIG. 6 is a bottom plan view thereof.

The broken line showing of a cell phone and other articles in FIG. 1 of the drawing is for illustrative purposes only and forms no part of the claimed design.

1 Claim, 2 Drawing Sheets



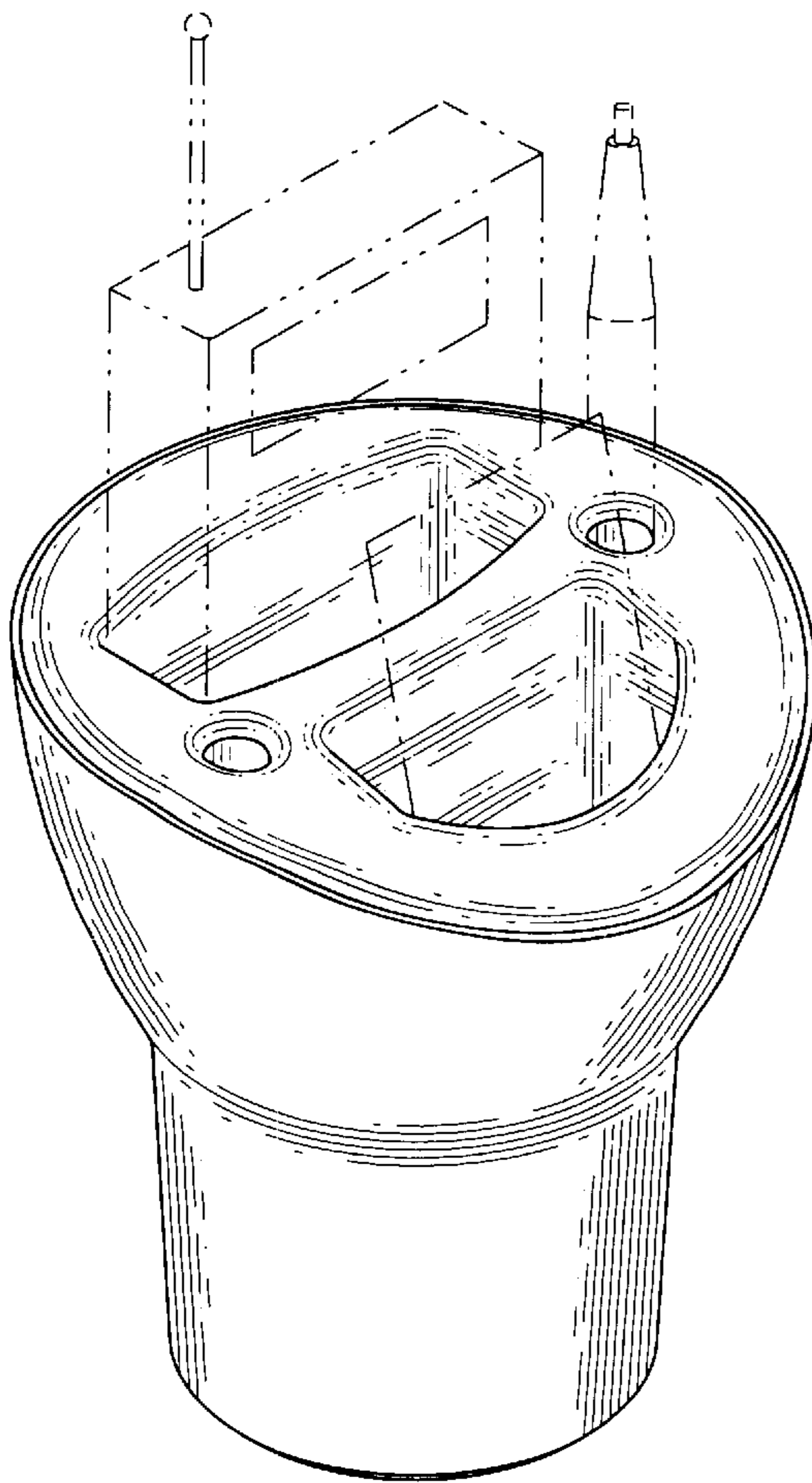


Fig. 1

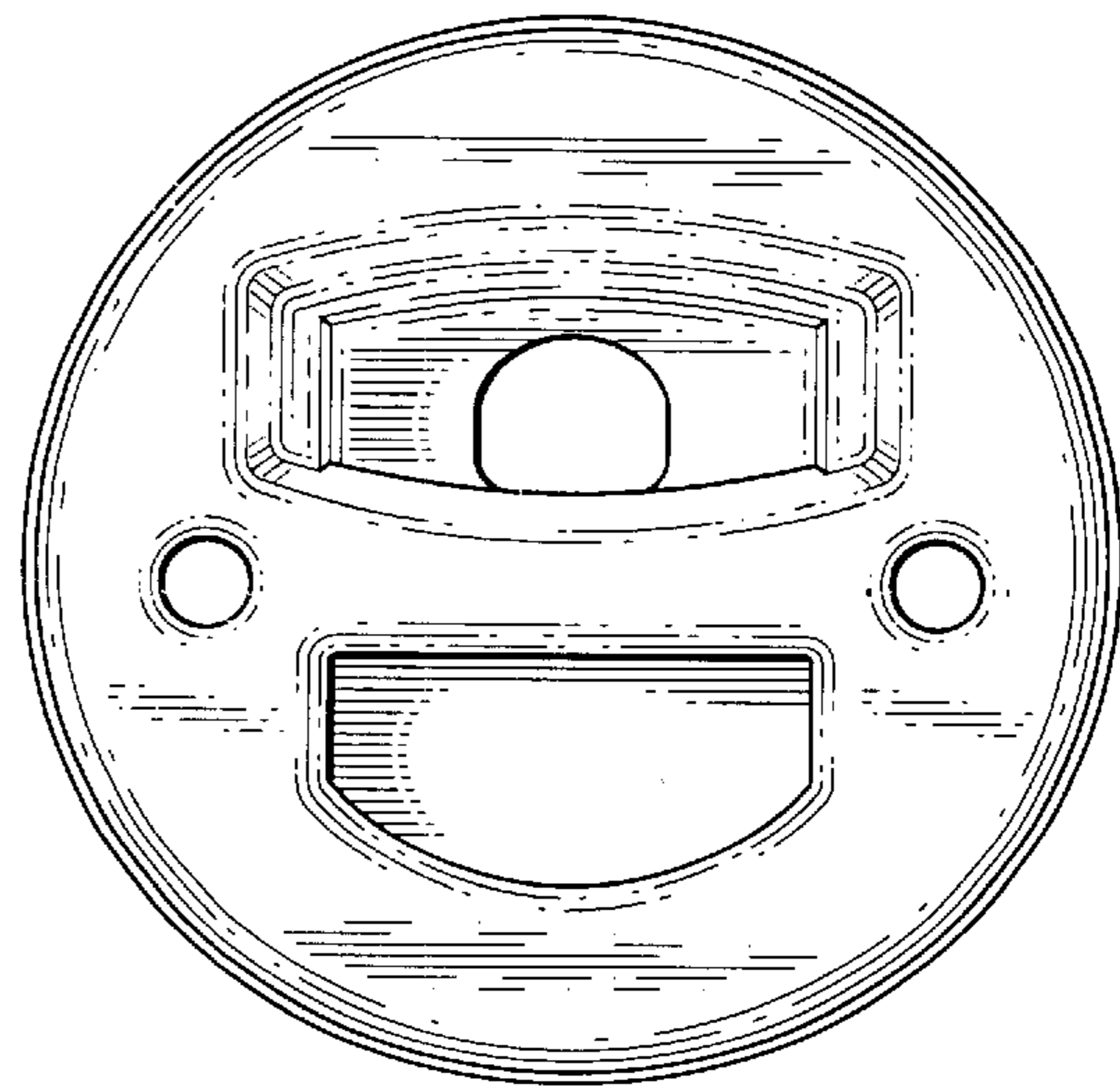


Fig. 2

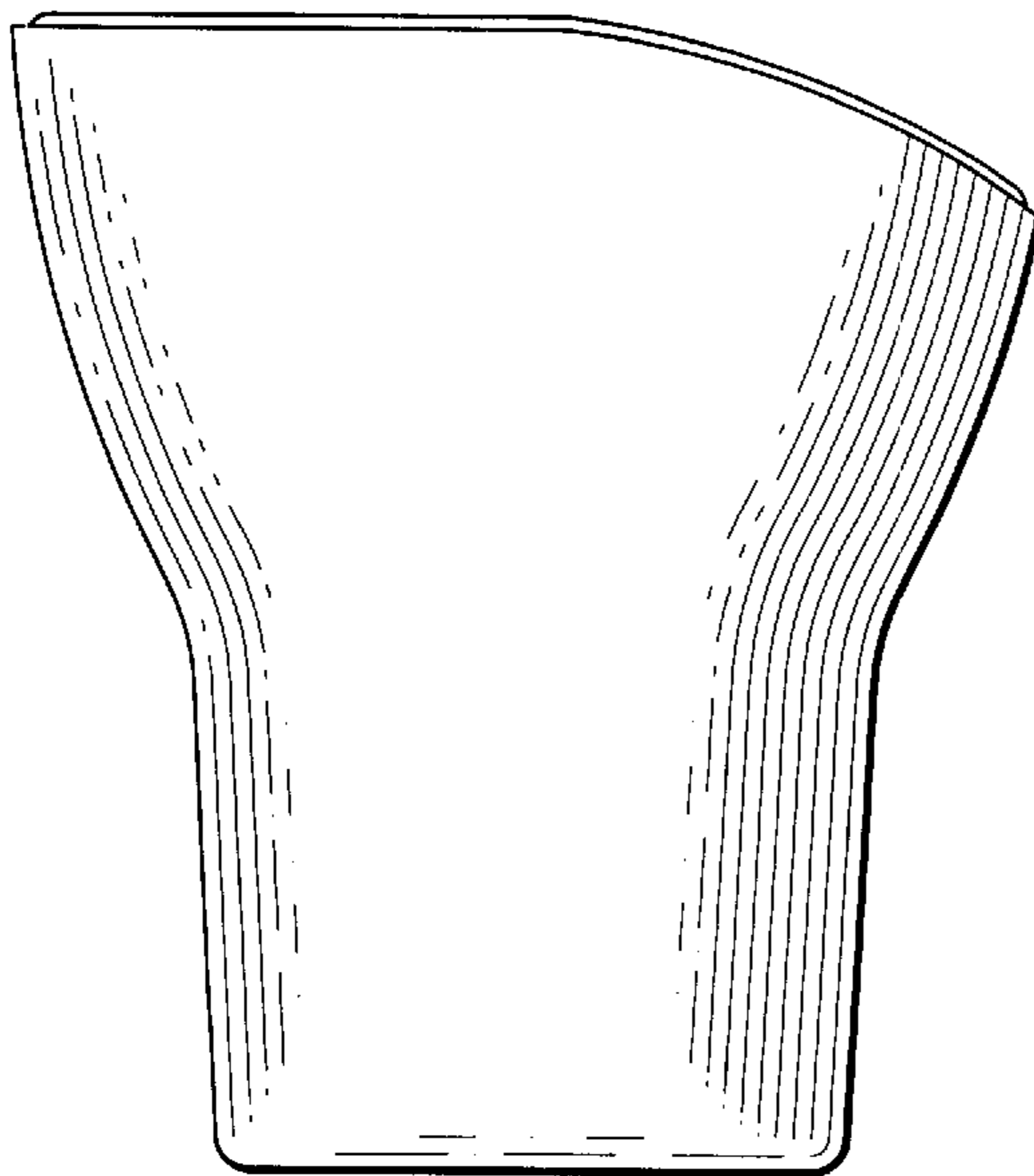


Fig. 3

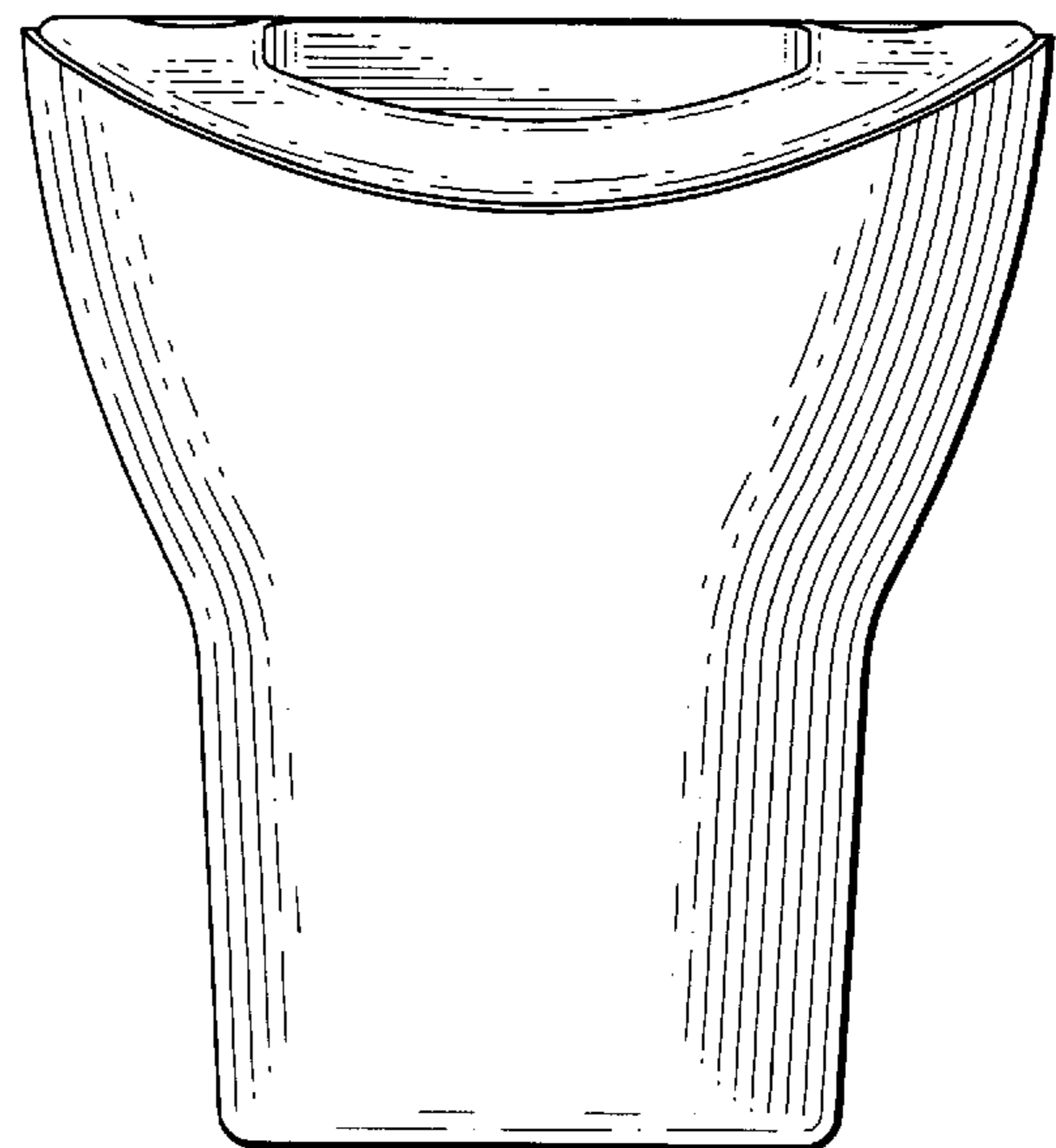


Fig. 4

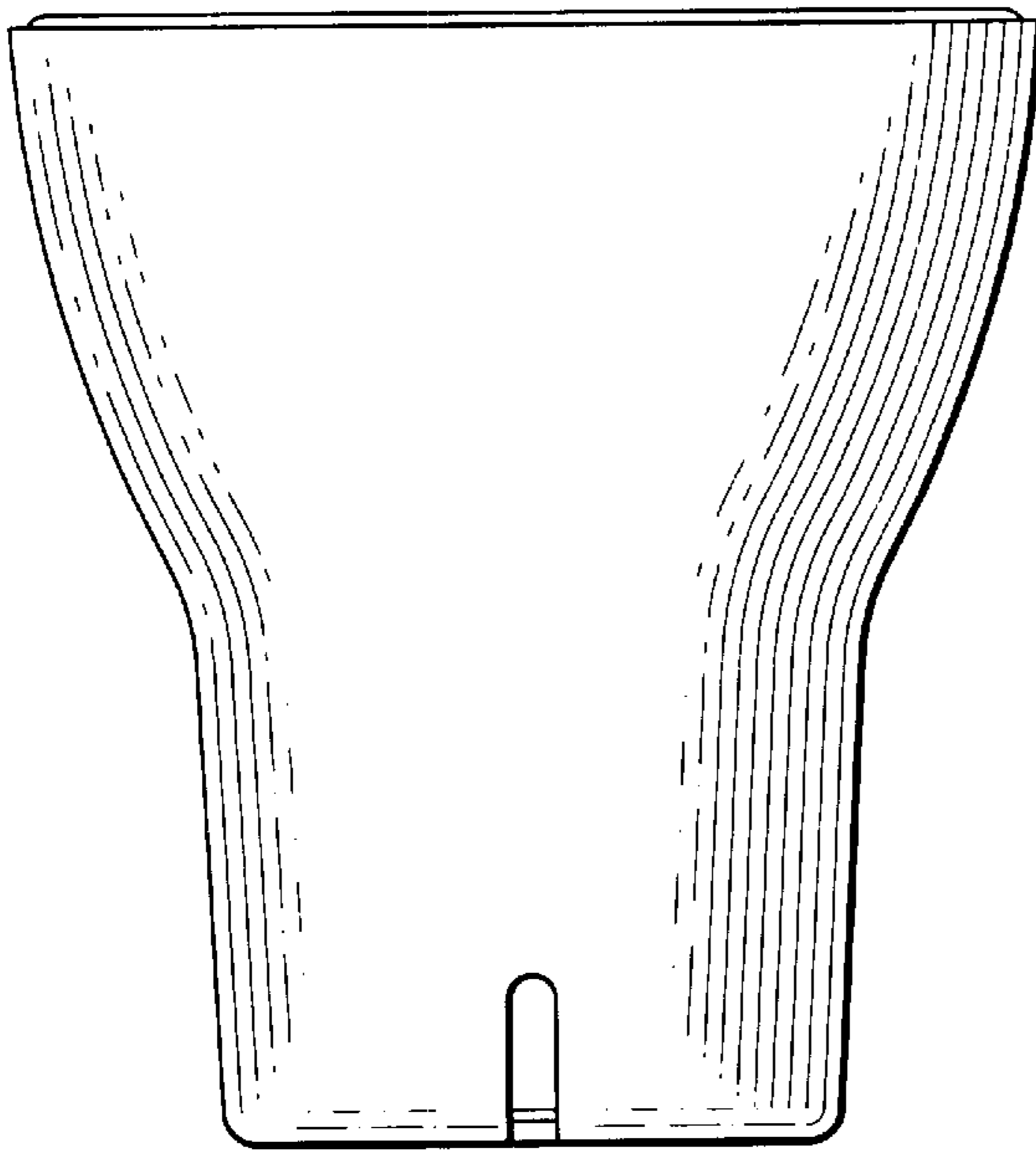


Fig. 5

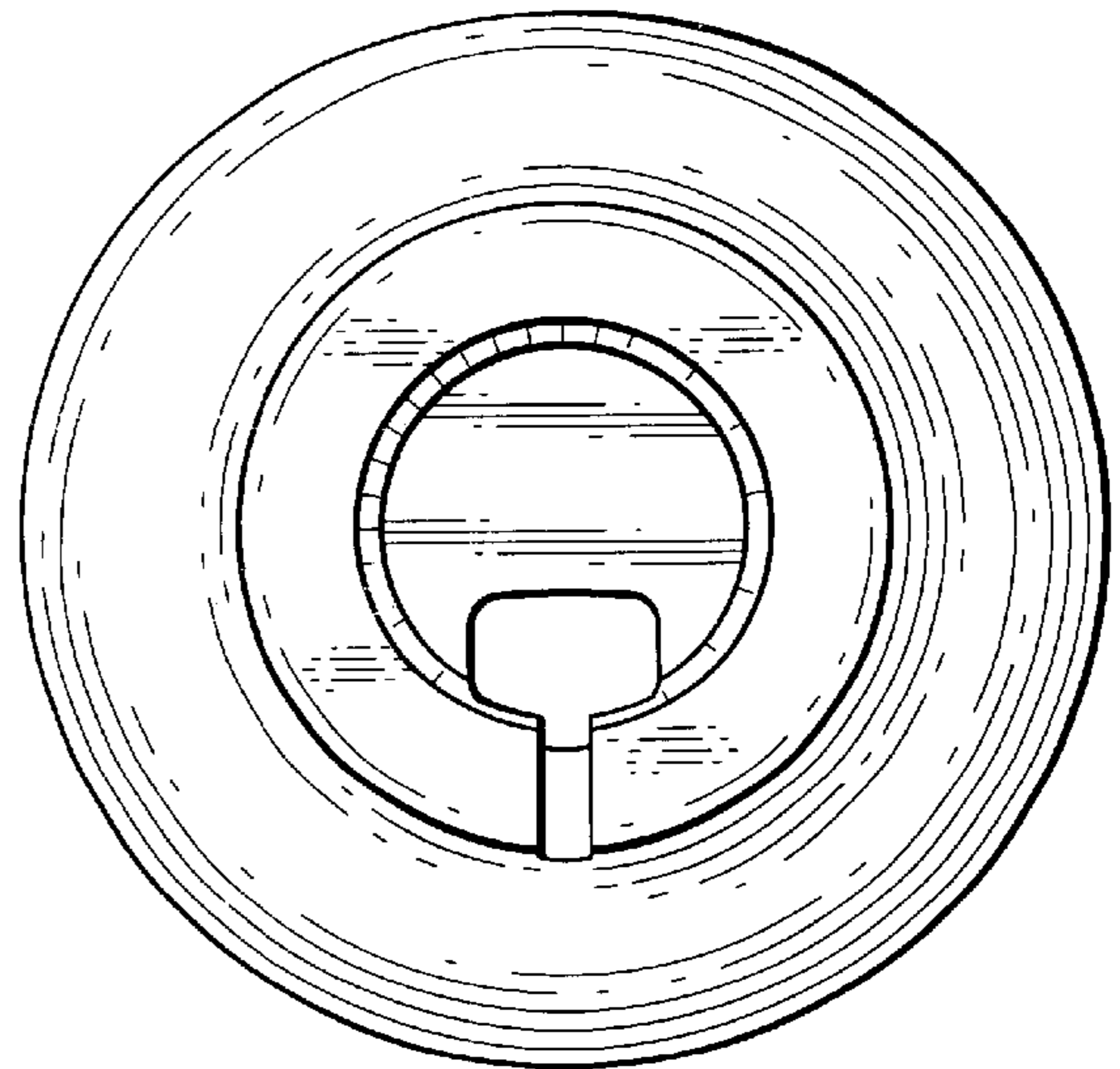


Fig. 6