



US00D478740S

(12) **United States Design Patent**
Kirshner

(10) **Patent No.:** **US D478,740 S**

(45) **Date of Patent:** **** Aug. 26, 2003**

(54) **WATCH DISPLAY STAND**
(75) **Inventor:** **Harold Kirshner**, New City, NY (US)
(73) **Assignee:** **FADA Industries**, Long Island City, NY (US)
(**) **Term:** **14 Years**

5,136,557 A	8/1992	Plawker et al.
5,181,608 A	1/1993	Herzog
5,377,822 A	1/1995	Herzog
5,579,906 A	12/1996	Fabbri et al.
D379,758 S *	6/1997	Lee D9/415
5,752,600 A	5/1998	Kurashina et al.
5,799,911 A	9/1998	Dostie et al.
D409,416 S *	5/1999	Au D6/466
6,209,828 B1	4/2001	Au
6,264,148 B1	7/2001	Chandler

(21) **Appl. No.:** **29/149,538**
(22) **Filed:** **Oct. 11, 2001**

* cited by examiner

(51) **LOC (7) Cl.** **06-06**
(52) **U.S. Cl.** **D6/466**
(58) **Field of Search** D6/449, 466, 467,
D6/468, 469; 211/13.1, 85.2, 85.3, 85.26,
85.4, 85.1, 205, 113; 248/176.1, 114, 116;
206/6.1, 566, 495

Primary Examiner—Janice E. Seeger
(74) *Attorney, Agent, or Firm*—Brooks & Kushman P.C.

(57) **CLAIM**

The ornamental design for a watch display stand, as shown and described.

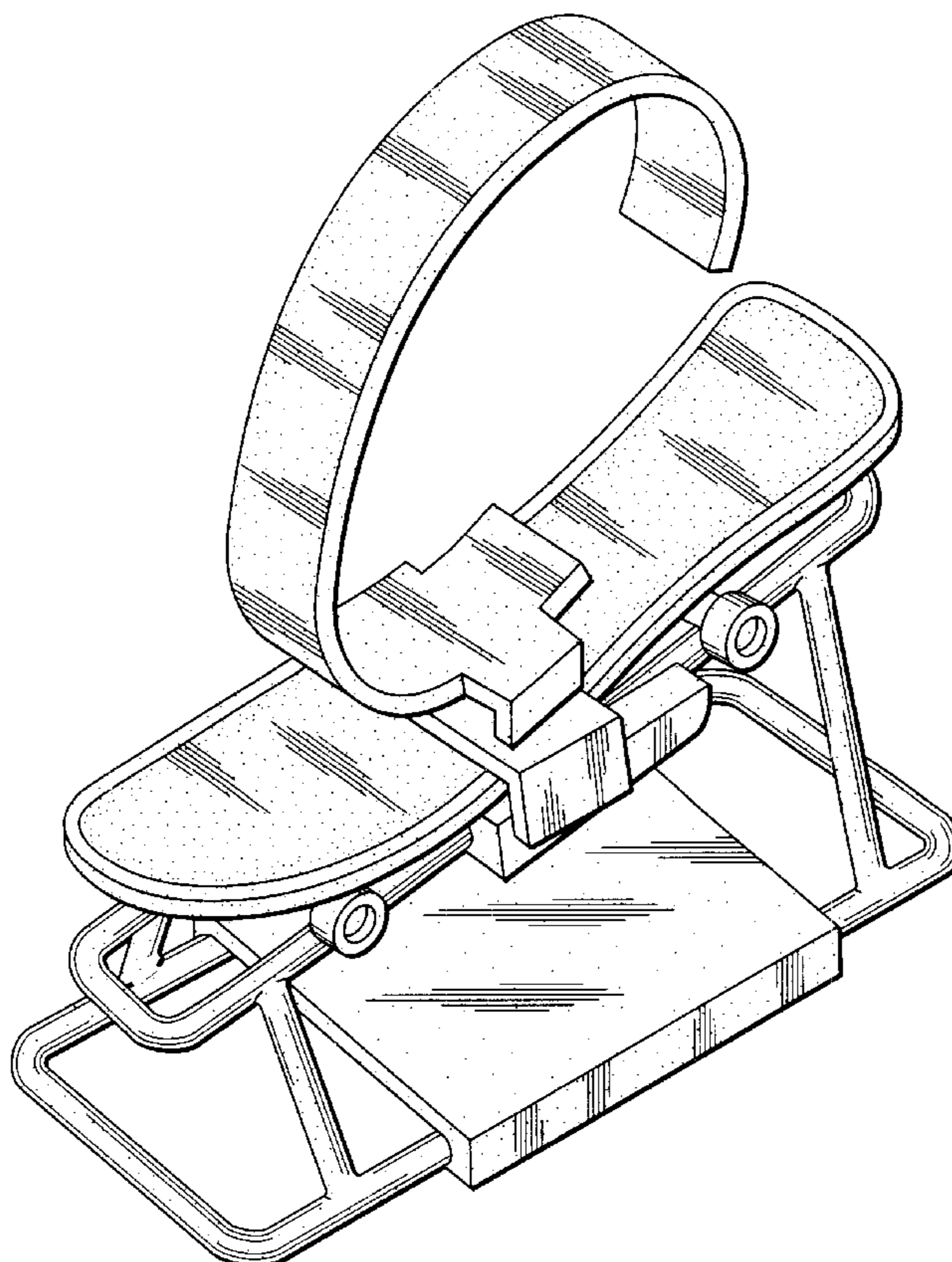
(56) **References Cited**
U.S. PATENT DOCUMENTS

DESCRIPTION

D141,791 S *	7/1945	Siegel D6/466
2,549,369 A	4/1951	Epstein
2,647,623 A	8/1953	Ortendahl
4,034,849 A	7/1977	Zakrajsek
4,082,183 A *	4/1978	Sturm 206/301
4,216,858 A	8/1980	Beauchamp
4,362,402 A	12/1982	Kallinke et al.
4,473,969 A	10/1984	Wilson

FIG. 1 is a perspective view of the watch display stand;
FIG. 2 is a right side elevation view;
FIG. 3 is a front side elevation view;
FIG. 4 is a top plan view;
FIG. 5 is a left side elevation view;
FIG. 6 is a back side elevation view; and,
FIG. 7 is a bottom plan view.

1 Claim, 3 Drawing Sheets



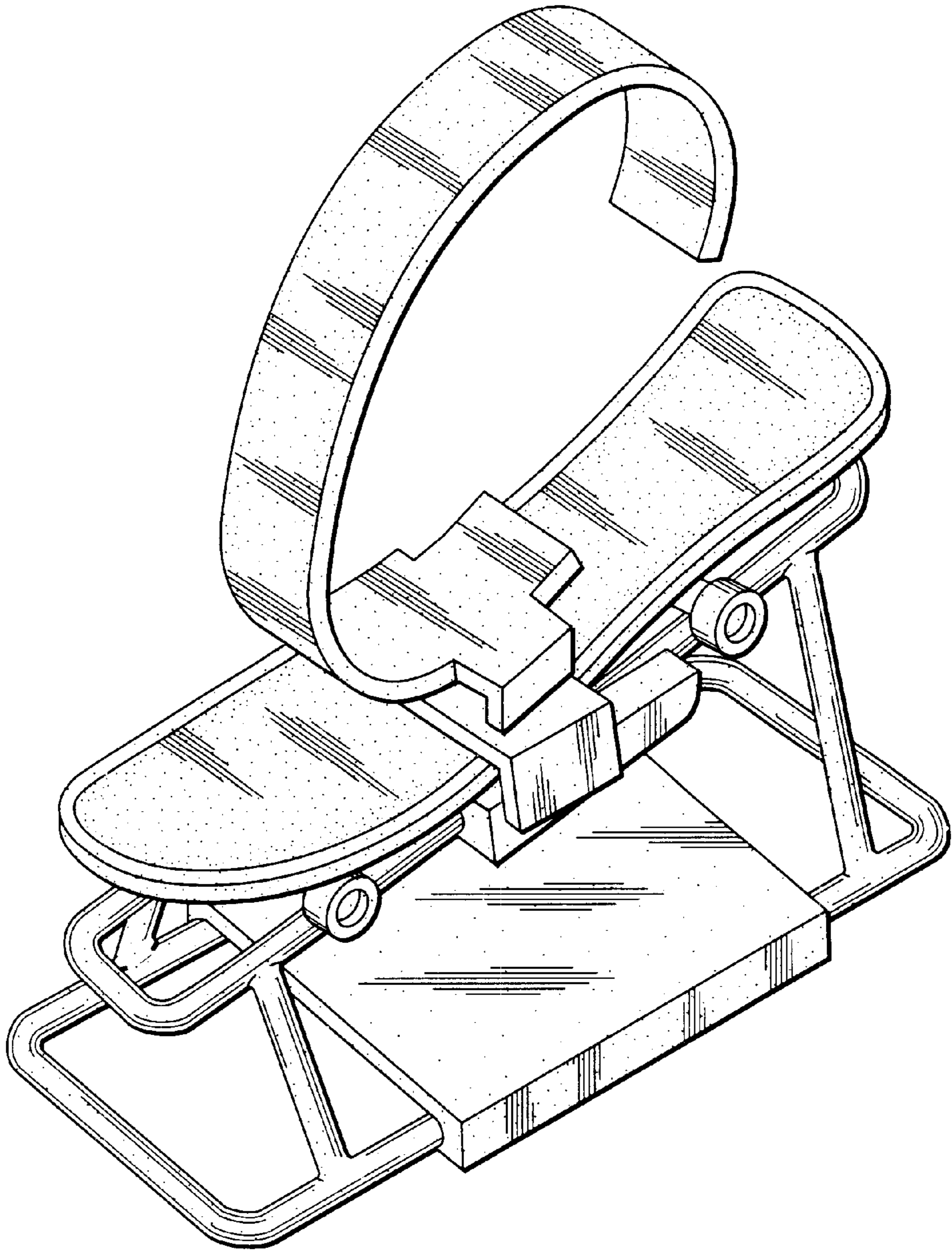


Fig. 1

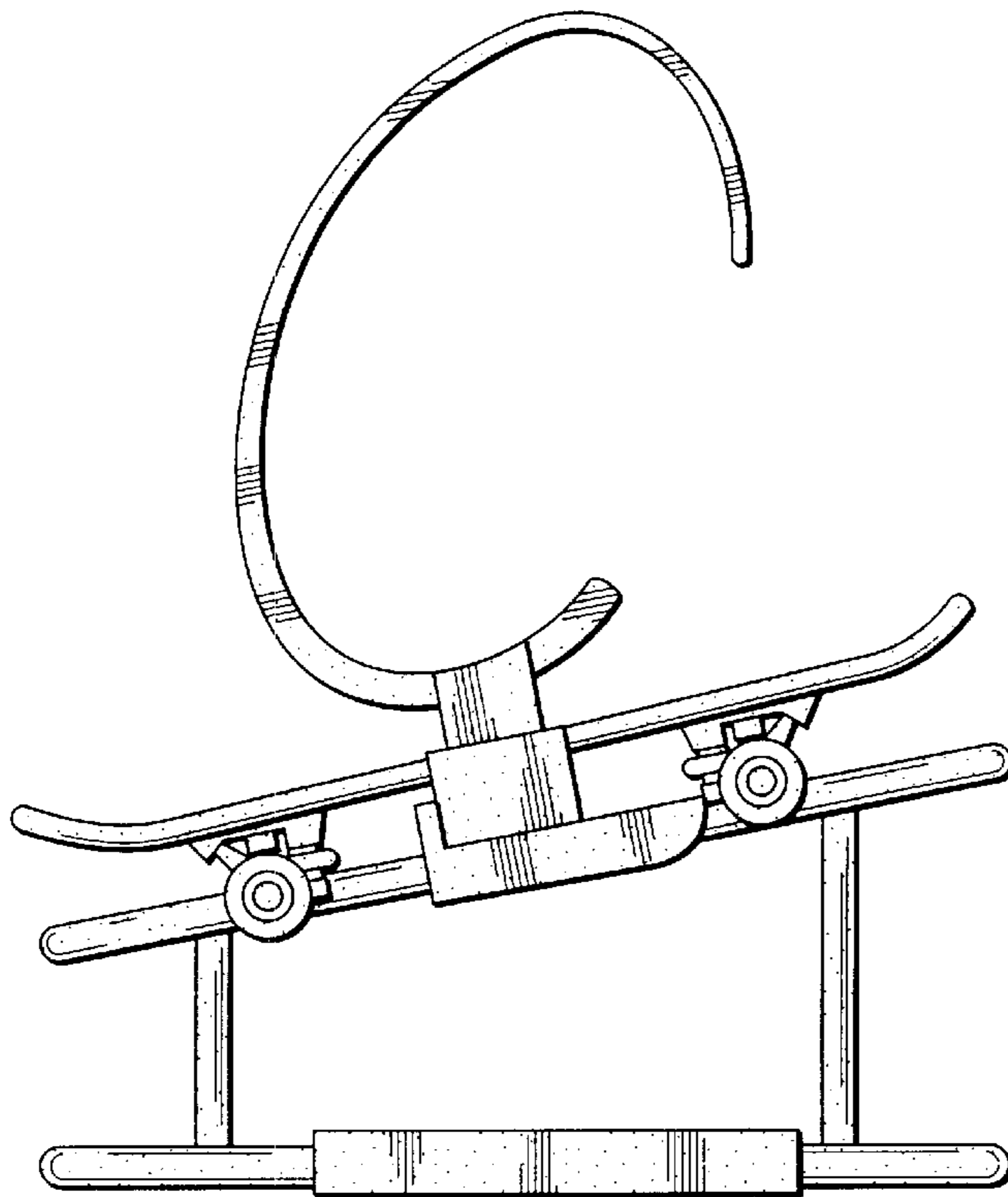


Fig. 2

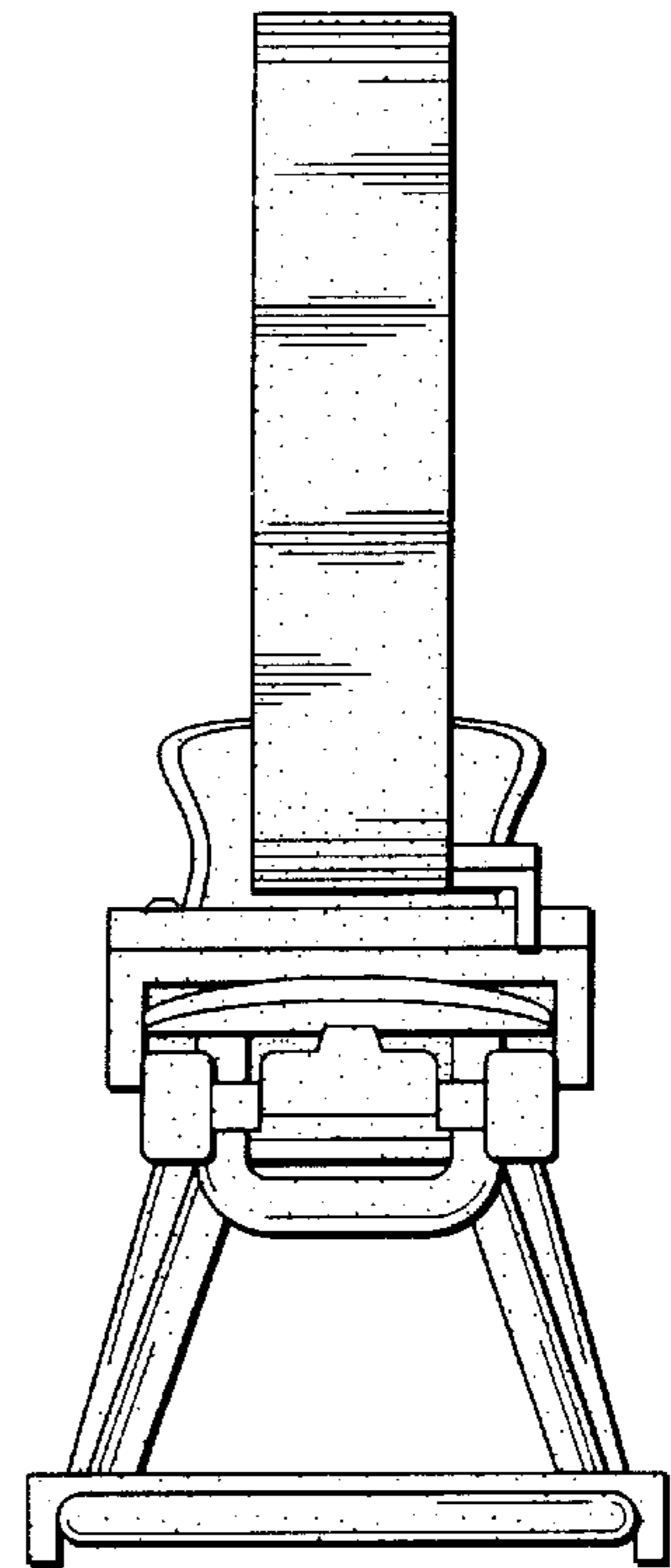


Fig. 3

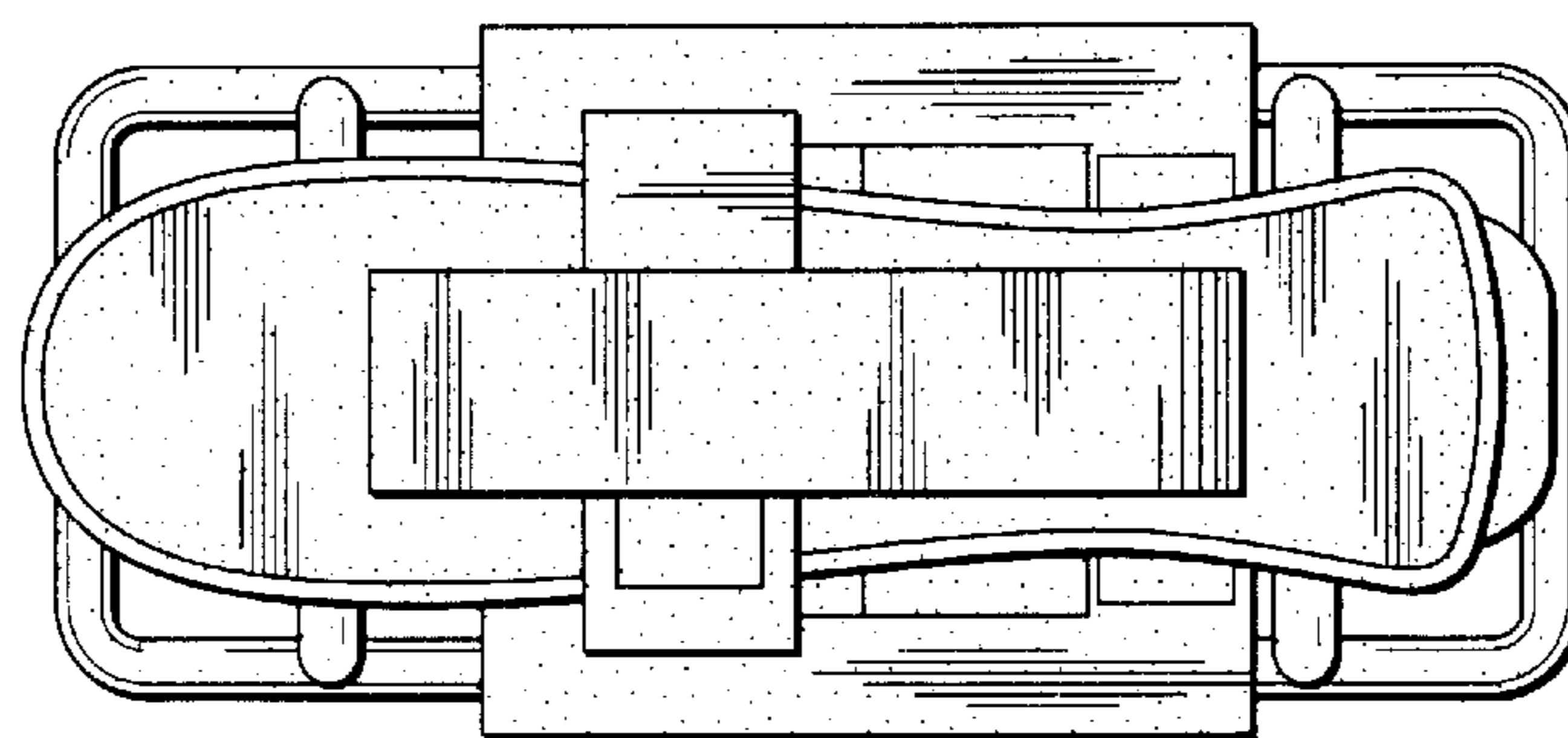


Fig. 4

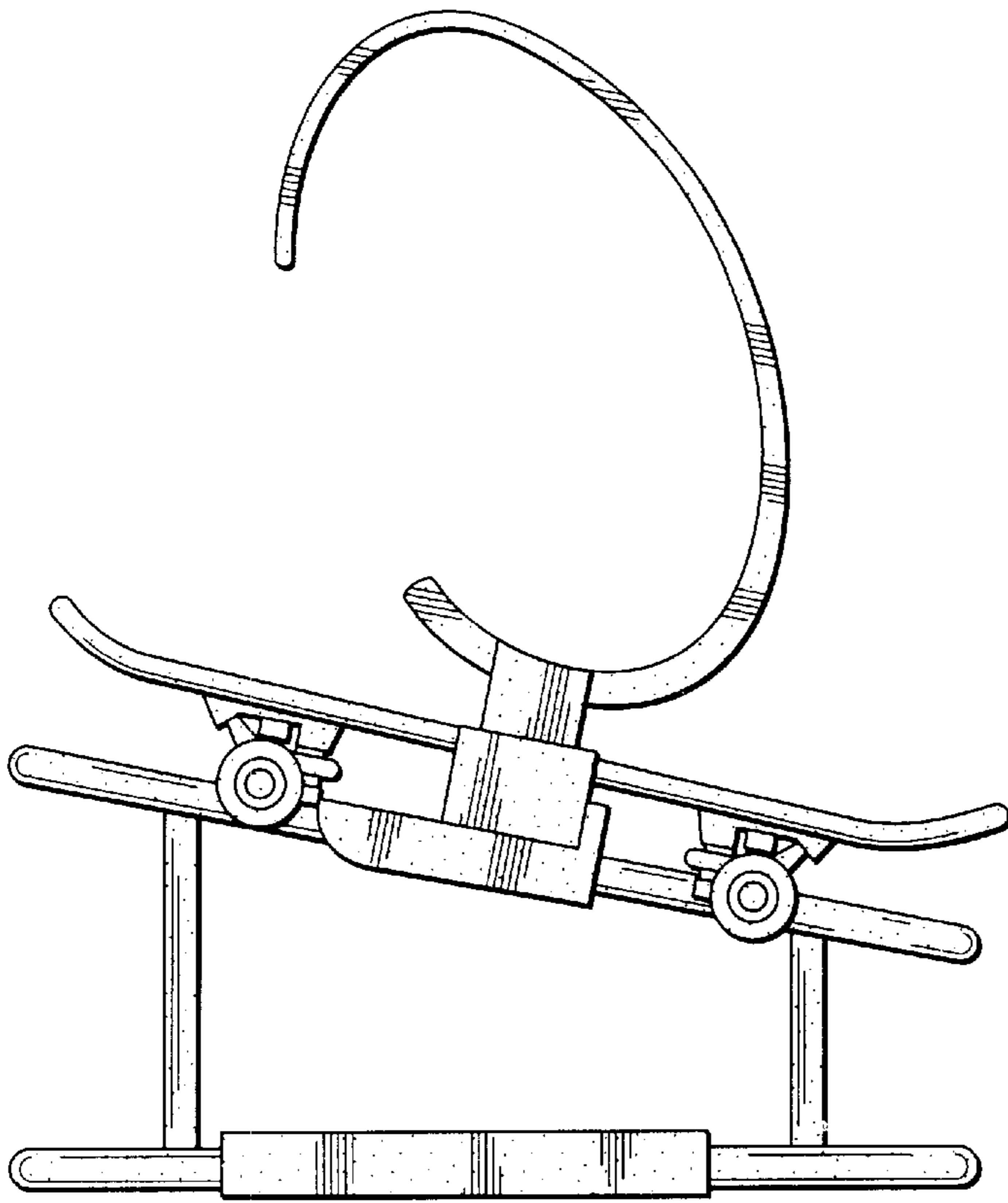


Fig. 5

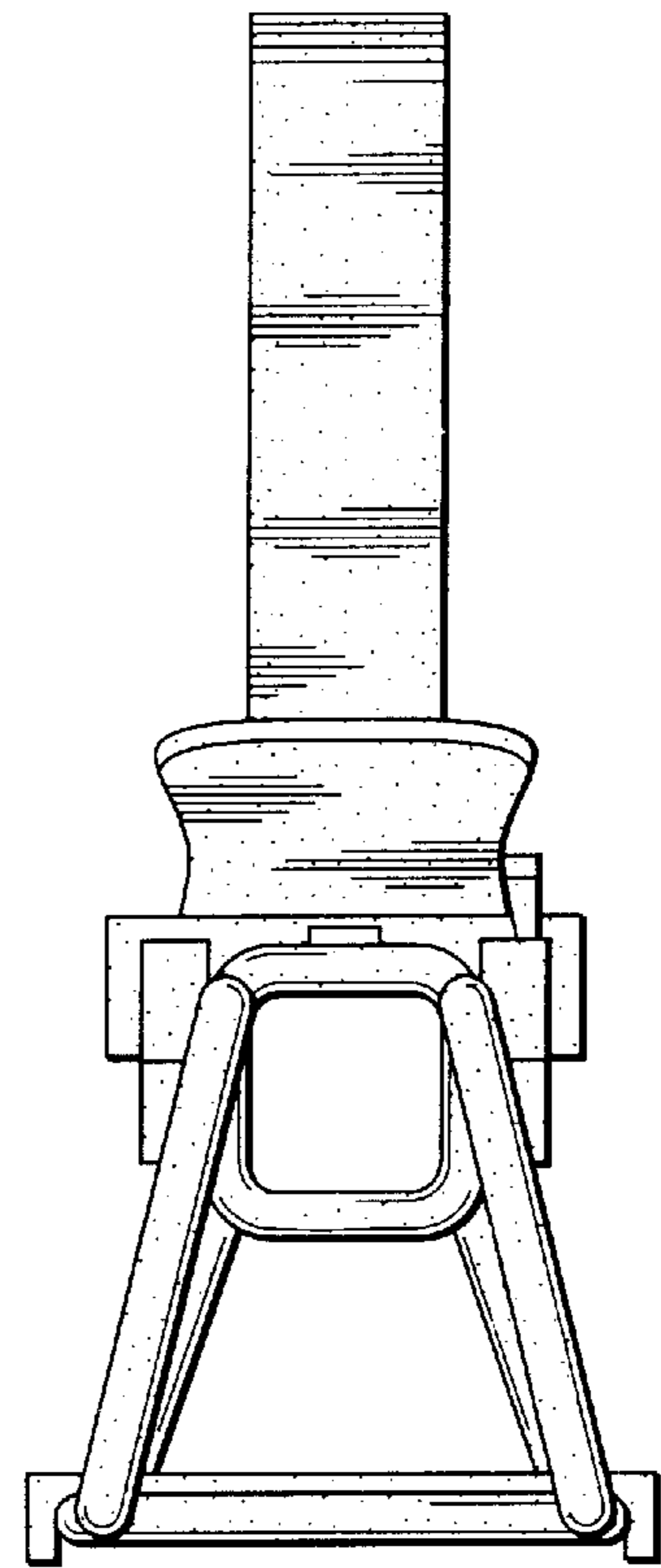


Fig. 6

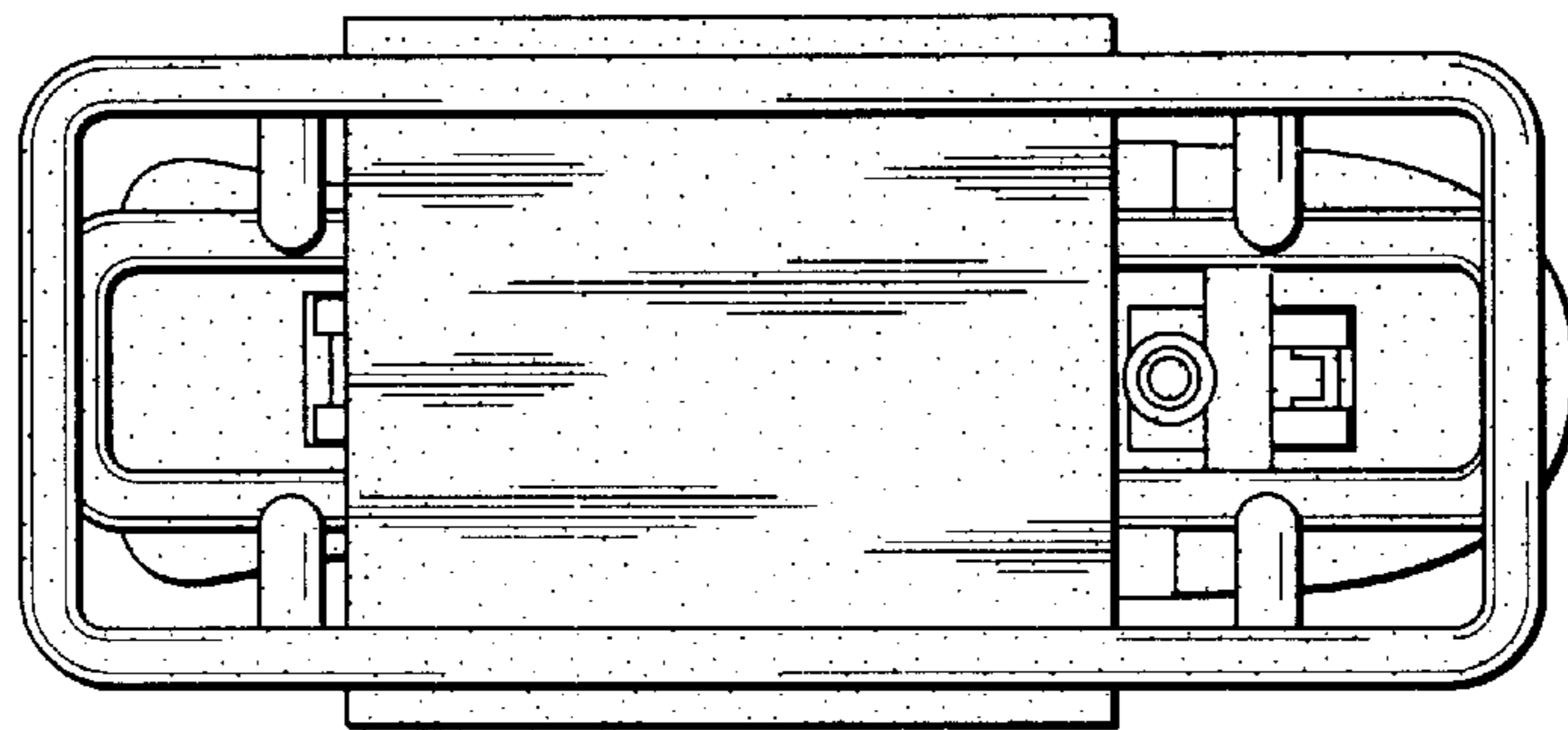


Fig. 7