



US00D478739S

(12) **United States Design Patent**  
**Sparkowski**

(10) **Patent No.:** **US D478,739 S**

(45) **Date of Patent:** **\*\* Aug. 26, 2003**

(54) **ADJUSTABLE SHELVING RACK**

(75) **Inventor:** **Robert P. Sparkowski**, Schaumburg, IL (US)

(73) **Assignee:** **Chicago Display Marketing Corporation**, Melrose Park, IL (US)

(\*\*) **Term:** **14 Years**

(21) **Appl. No.:** **29/166,086**

(22) **Filed:** **Aug. 21, 2002**

(51) **LOC (7) Cl.** ..... **06-04**

(52) **U.S. Cl.** ..... **D6/465**

(58) **Field of Search** ..... D6/396, 397, 436, D6/437, 411, 415, 449, 455-469; 108/59, 91, 92, 93, 94; 211/11, 13.1, 85.1, 85.2, 85.4, 70, 78, 107, 131.1, 133.2, 163, 164, 181.1, 182

(56) **References Cited**

**U.S. PATENT DOCUMENTS**

- 2,648,442 A 8/1953 Lowmaster
- 3,527,359 A \* 9/1970 Lambertson ..... 211/71.01
- D233,380 S \* 10/1974 Hyman ..... D6/458

- 3,915,097 A 10/1975 Young, Jr.
- D246,773 S \* 12/1977 Bladis ..... D34/21
- 4,093,077 A \* 6/1978 Strasser ..... 211/194
- 4,292,902 A 10/1981 Barrineau
- 5,450,971 A 9/1995 Boron et al.
- 5,645,182 A 7/1997 Miller, Jr. et al.

\* cited by examiner

*Primary Examiner*—Cathron C. Brooks

(74) *Attorney, Agent, or Firm*—Vedder Price Kaufman & Kamholz

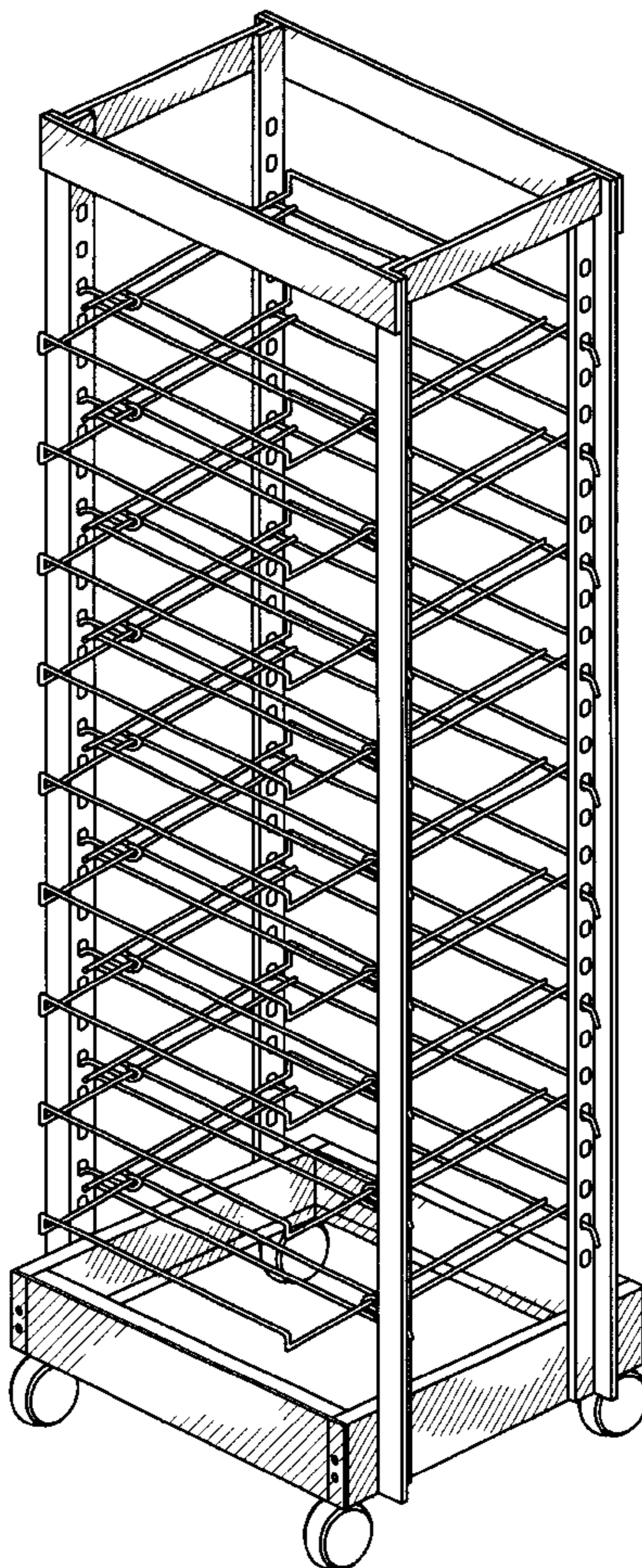
(57) **CLAIM**

The ornamental design for the adjustable shelving rack, as shown.

**DESCRIPTION**

FIG. 1 is a perspective view of the adjustable shelving rack showing my new design;  
 FIG. 2 is a front view of my invention;  
 FIG. 3 is a rear view of my invention;  
 FIG. 4 is a first side view of my invention;  
 FIG. 5 is a second side view of my invention;  
 FIG. 6 is a top view of my invention; and,  
 FIG. 7 is a bottom view of my invention.

**1 Claim, 6 Drawing Sheets**



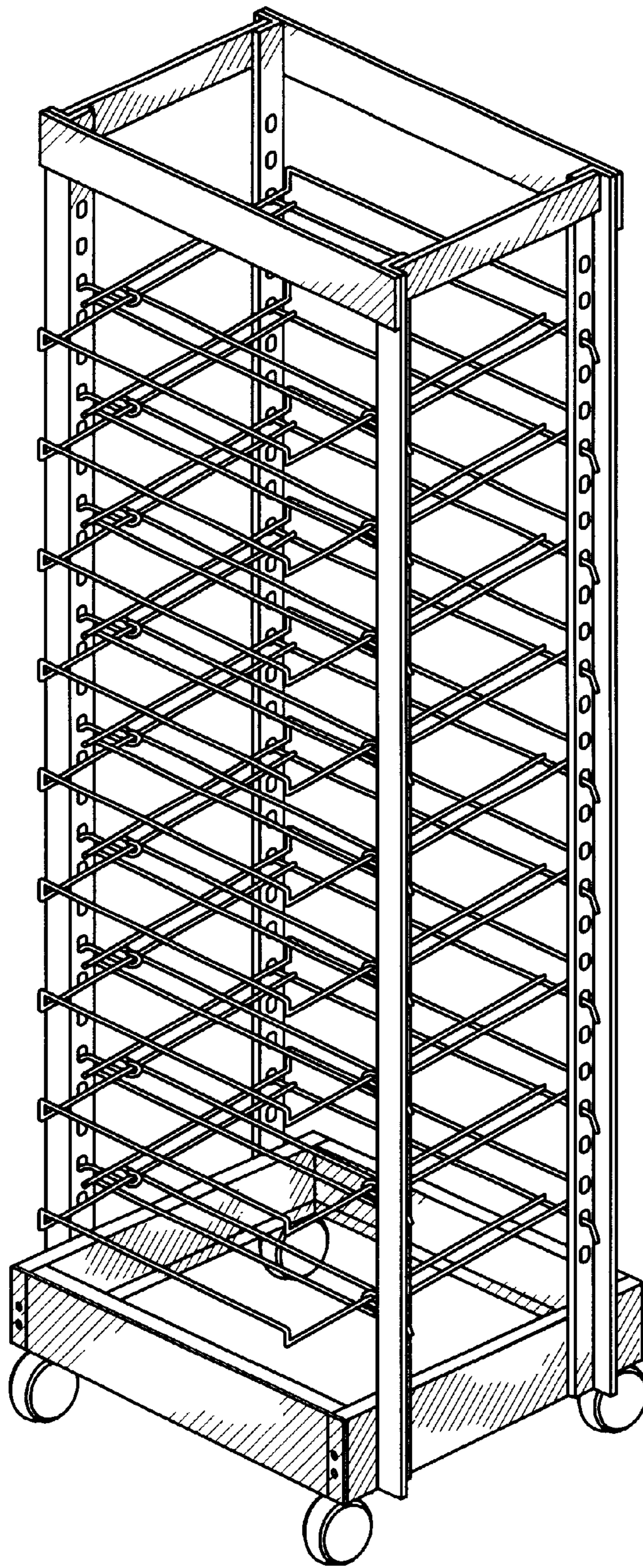


FIG. 1



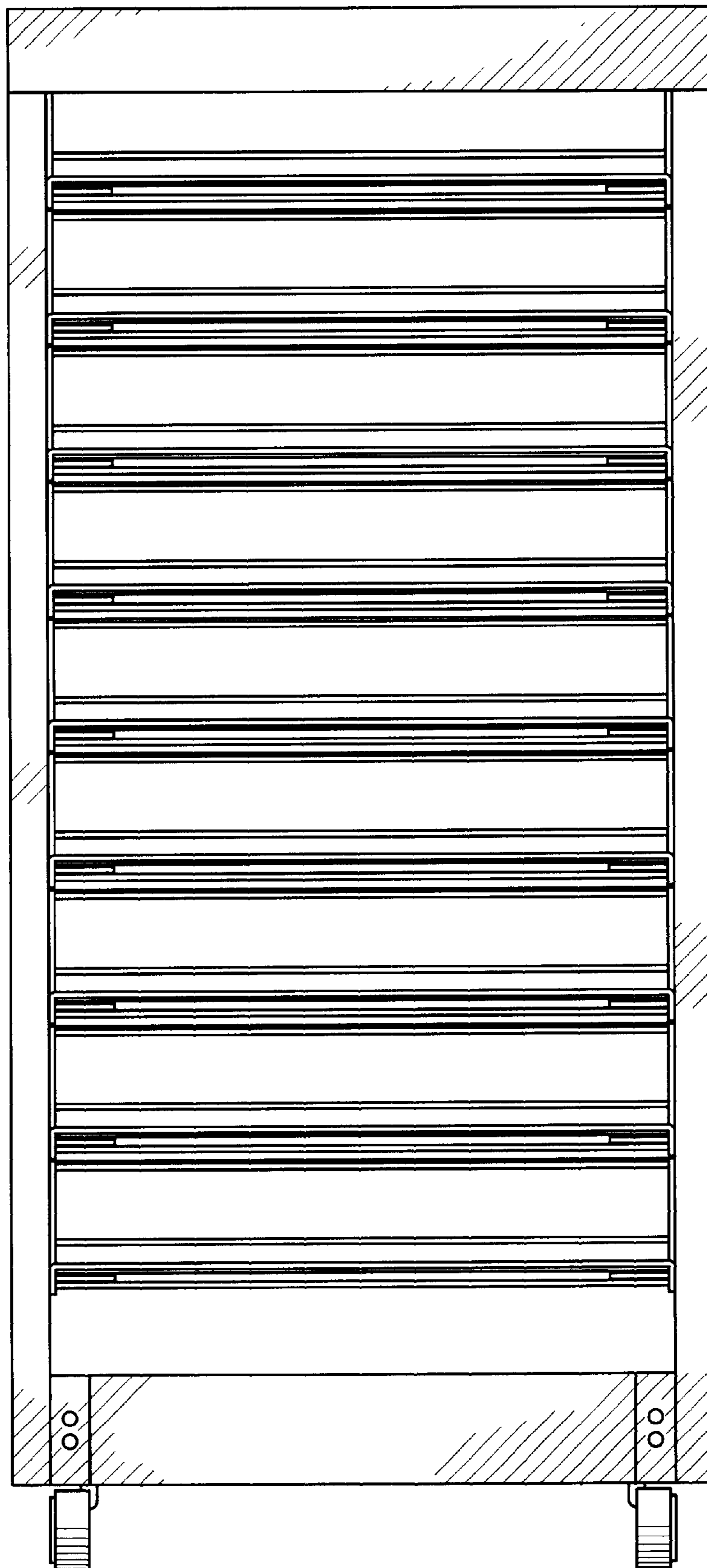


FIG. 2

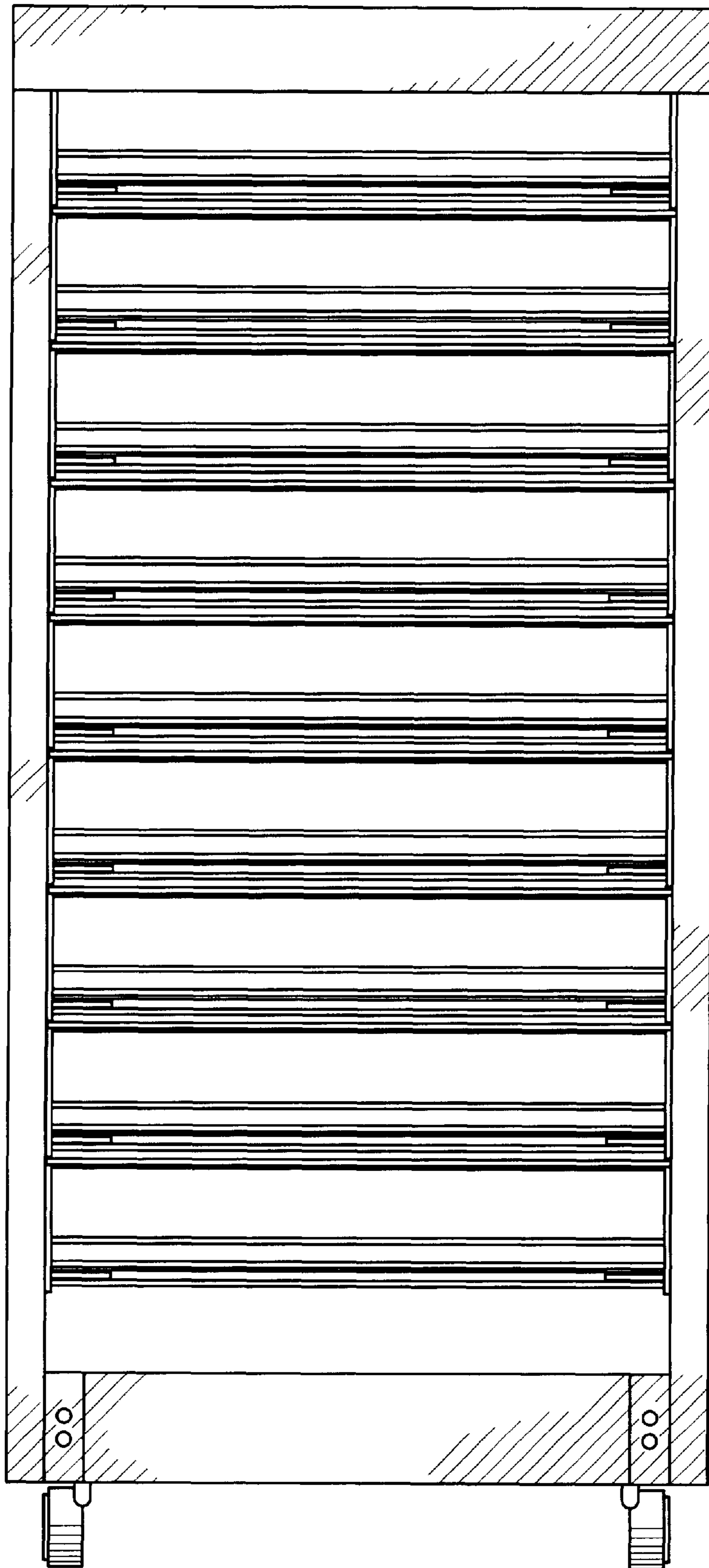


FIG. 3

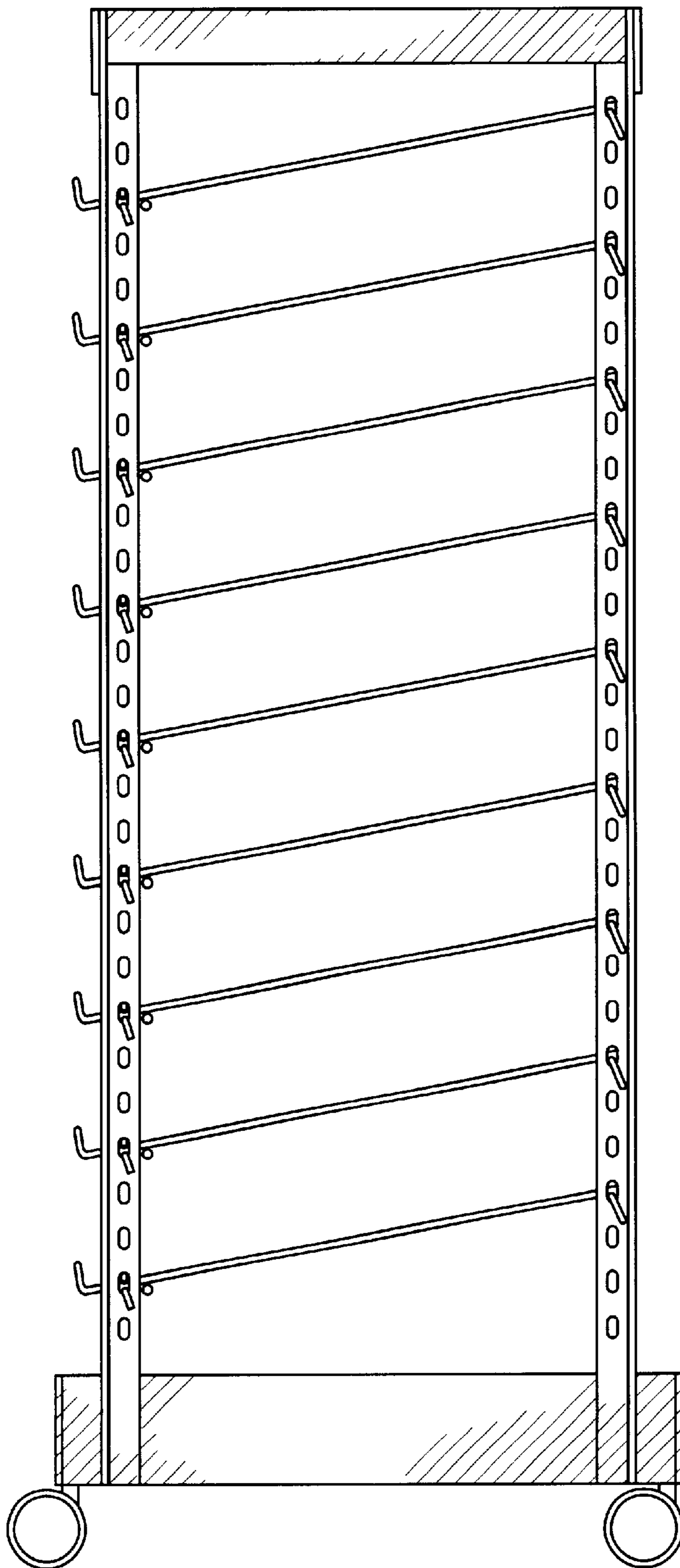


FIG. 4

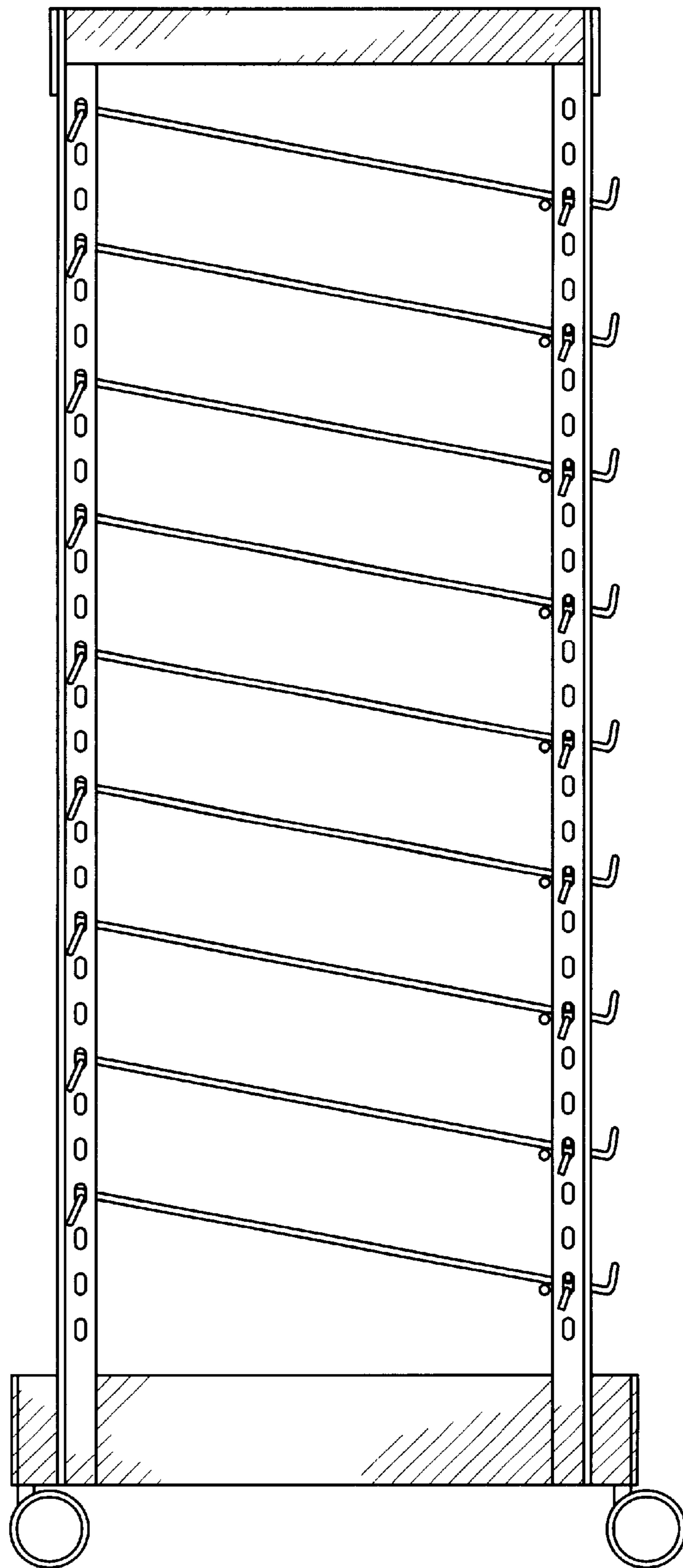


FIG. 5

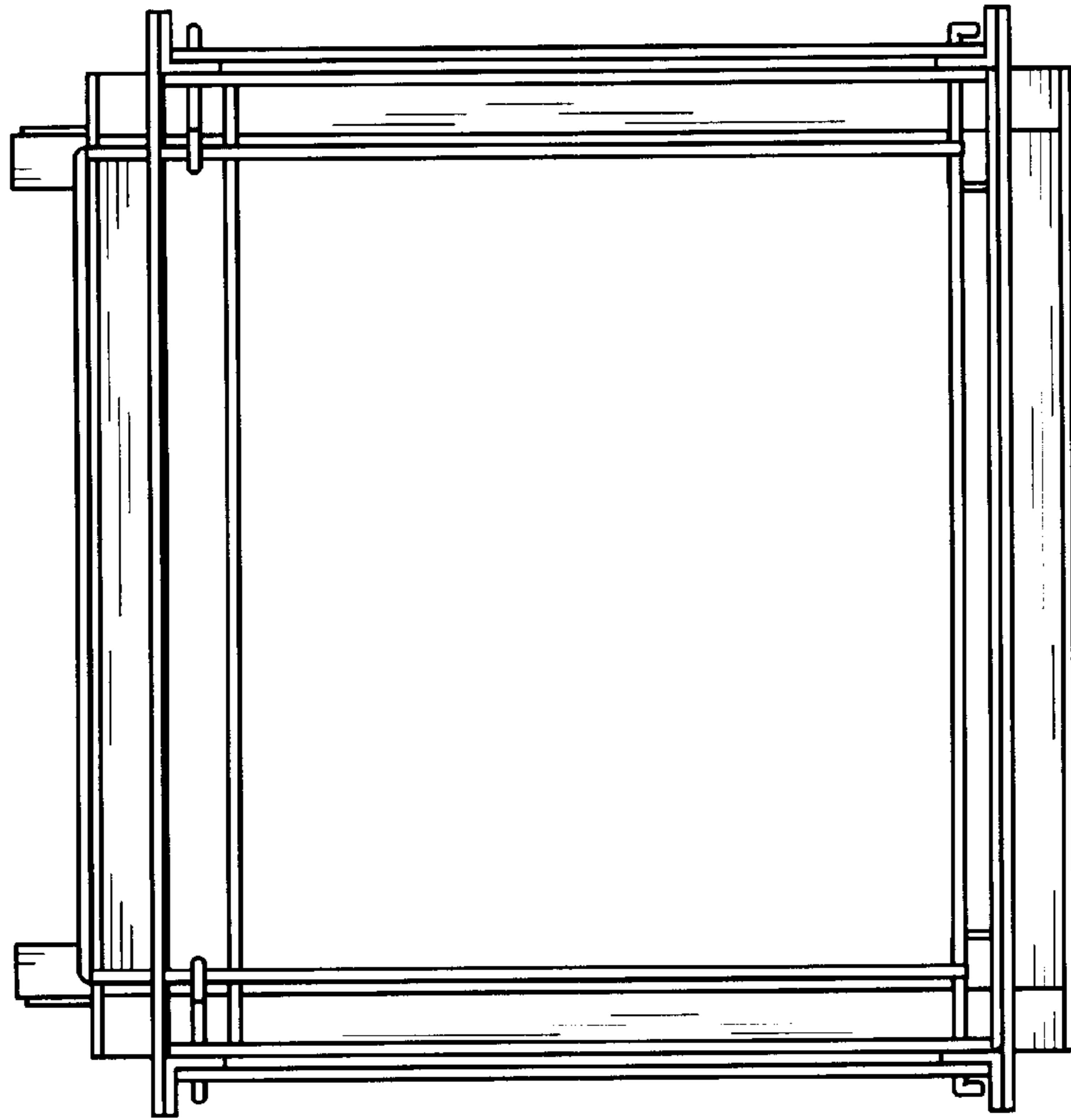


FIG. 6

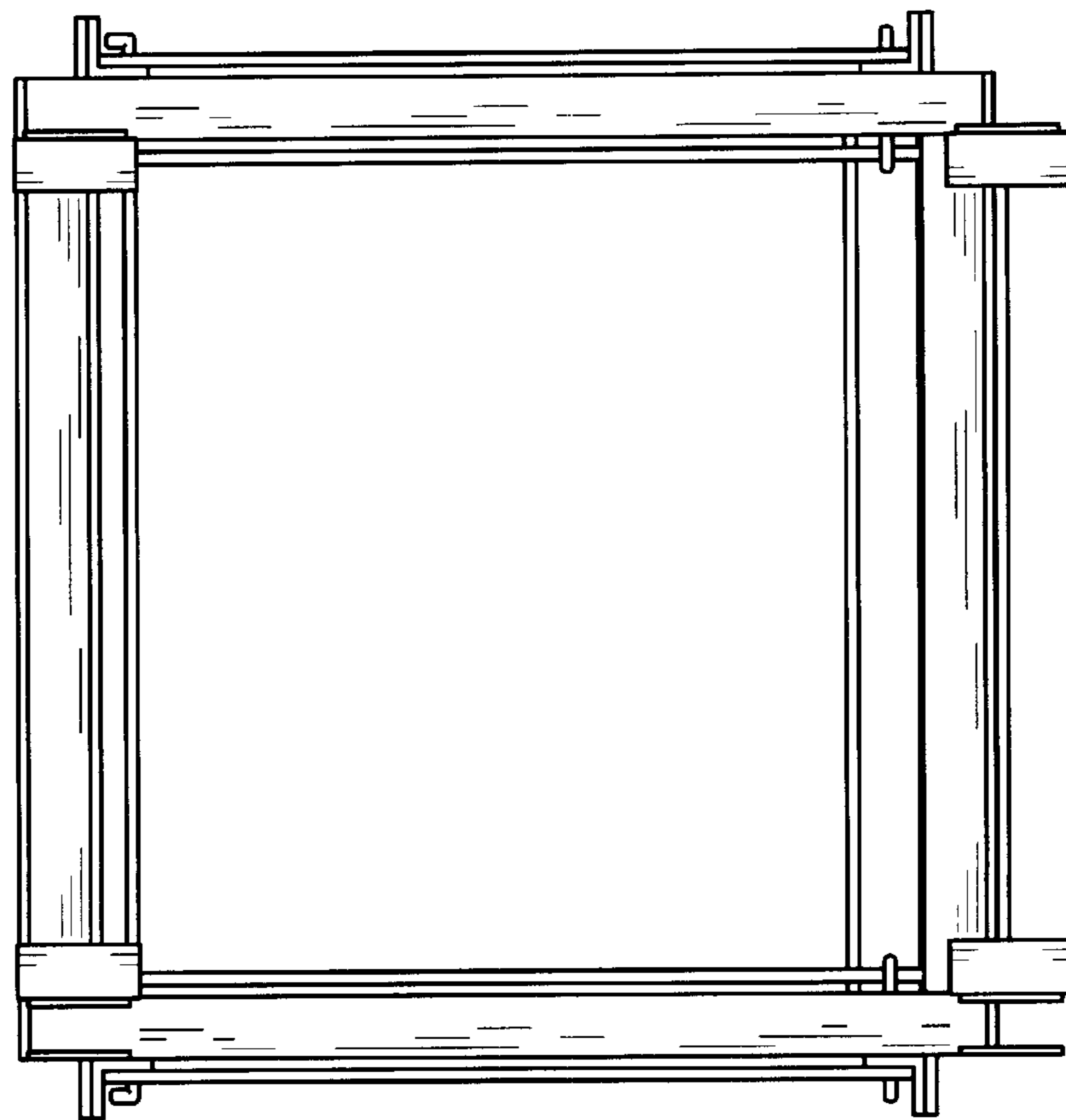


FIG. 7