



US00D478738S

(12) **United States Design Patent**
Workman

(10) **Patent No.:** **US D478,738 S**

(45) **Date of Patent:** **** Aug. 26, 2003**

(54) **MUSICAL INSTRUMENT SUPPORT AND STABILIZER APPARATUS**

(75) **Inventor:** **Dean Ronald Workman, Currumbin (AU)**

(73) **Assignee:** **Paradigm Five Pty. Ltd., Currumbin (AU)**

(**) **Term:** **14 Years**

(21) **Appl. No.:** **29/168,769**

(22) **Filed:** **Oct. 9, 2002**

(30) **Foreign Application Priority Data**

Apr. 9, 2002 (AU) 985/2002

(51) **LOC (7) Cl.** **06-04**

(52) **U.S. Cl.** **D6/418; D6/552; D8/395**

(58) **Field of Search** D6/418, 449, 450, D6/400, 466-469, 475, 491, 492, 509, 552, 553; D8/394, 395; 206/386, 599, 600, 278, 314, 315.9; 211/11, 85.4, 85.6, 14, 55, 72, 59.2; 248/560, 441.1, 346.02, 448, 281, 229.12

(56) **References Cited**

U.S. PATENT DOCUMENTS

D190,429 S * 5/1961 Hoagland D6/552
3,765,633 A * 10/1973 Caudill 248/229.12
4,084,778 A * 4/1978 Dominguez 248/314
D248,347 S * 7/1978 McCollum D6/552
4,991,809 A * 2/1991 Harkey 248/229.12
5,331,725 A * 7/1994 Chou D8/395 X
D372,144 S * 7/1996 Selby D6/468
D379,298 S * 5/1997 Bowen et al. D8/395 X
D389,050 S * 1/1998 Li D8/395

5,986,193 A 11/1999 Garrison
D417,390 S * 12/1999 Hofman D8/395
6,130,375 A 10/2000 Kellogg et al.
6,179,135 B1 1/2001 Simpson
D470,937 S * 2/2003 Gary et al. D8/395 X

FOREIGN PATENT DOCUMENTS

DE 4141388 A 11/1992
WO WO 98/10411 A 3/1998

OTHER PUBLICATIONS

Slant-Column Stand, (<http://www.graciestands.com/slant-column.htm>) See "JJ Holder" Janet Davis Music Company—Banjo Store, (<http://www.janetdavismusic.com/stands2.html>) See Wall Mounted Hanger Rippin, (http://www.rippin.com/new_page_3.htm) See Guitar Grip, The Soft Guitar Stand.

* cited by examiner

Primary Examiner—Cathron C. Brooks

(74) *Attorney, Agent, or Firm*—Hoffman, Wasson & Gitler

(57) **CLAIM**

The ornamental design for a musical instrument support and stabilizer apparatus, as shown and described.

DESCRIPTION

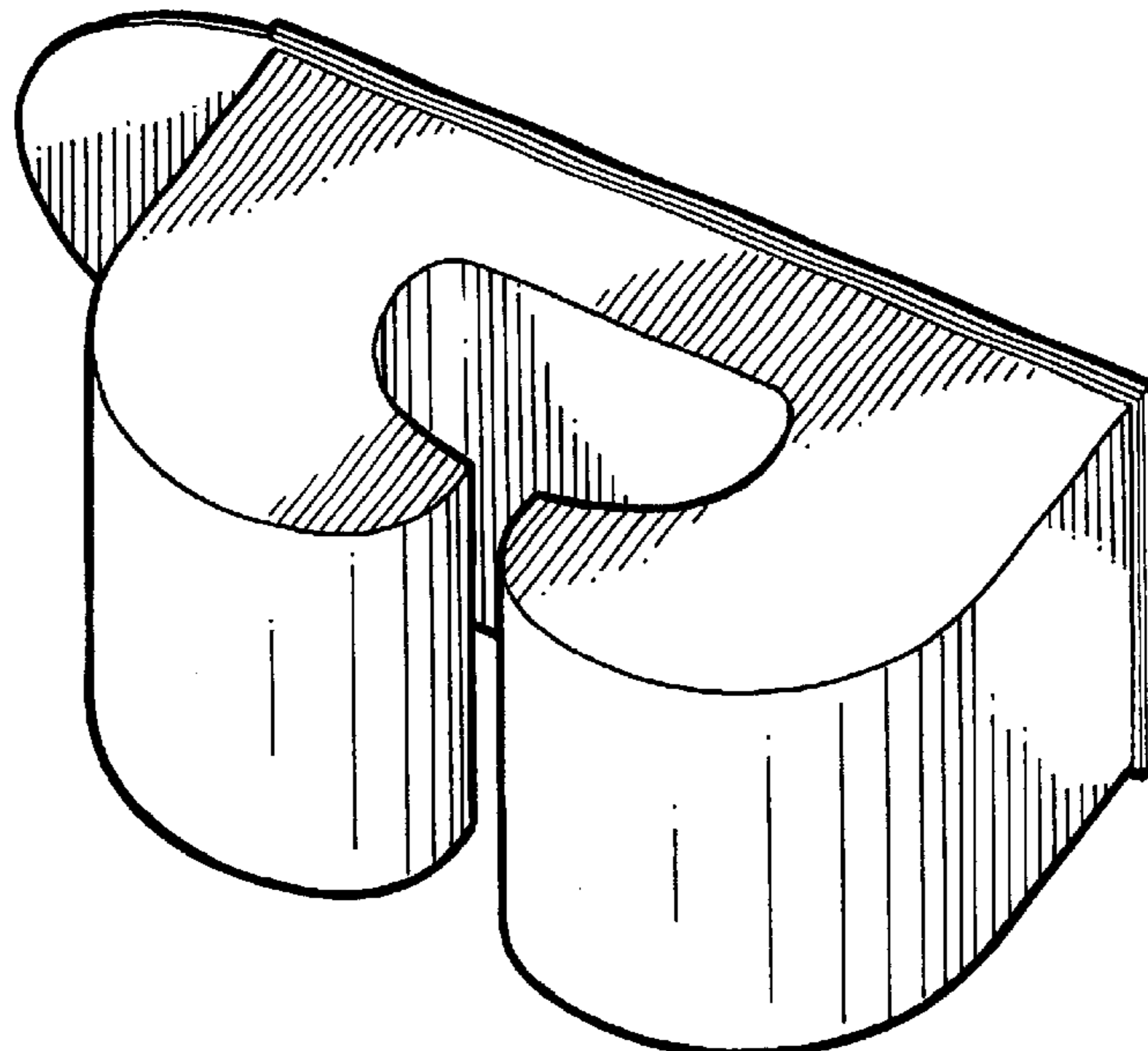
FIG. 1 is a top view of a musical instrument support and stabilizer apparatus in accordance with the invention:

FIG. 2 is a perspective view of the musical instrument support and stabilizer apparatus;

FIG. 3 is a front view of the musical instrument support and stabilizer apparatus; and,

FIG. 4 is a side view of the musical instrument support and stabilizer apparatus.

1 Claim, 2 Drawing Sheets



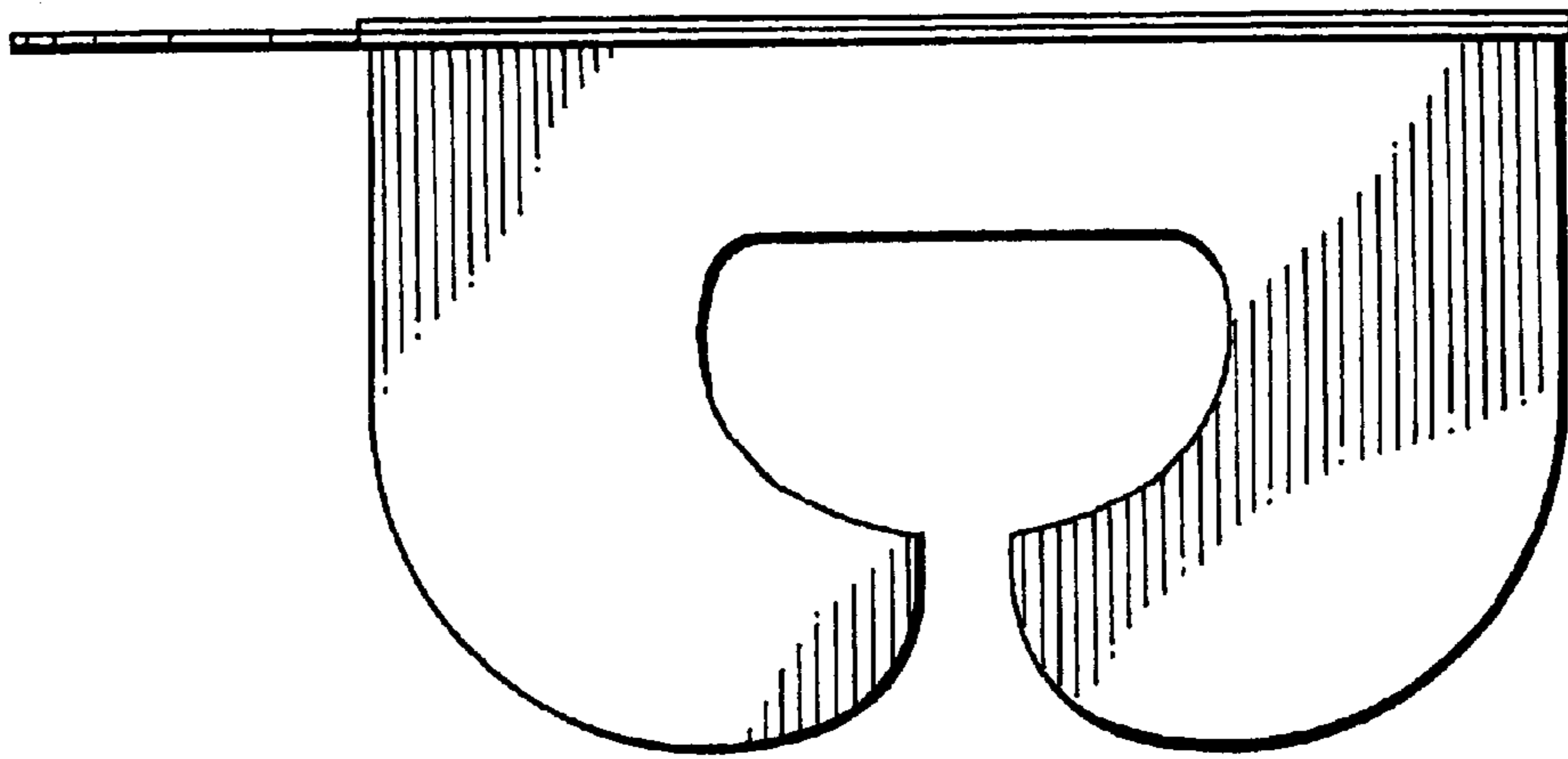


FIG. 1

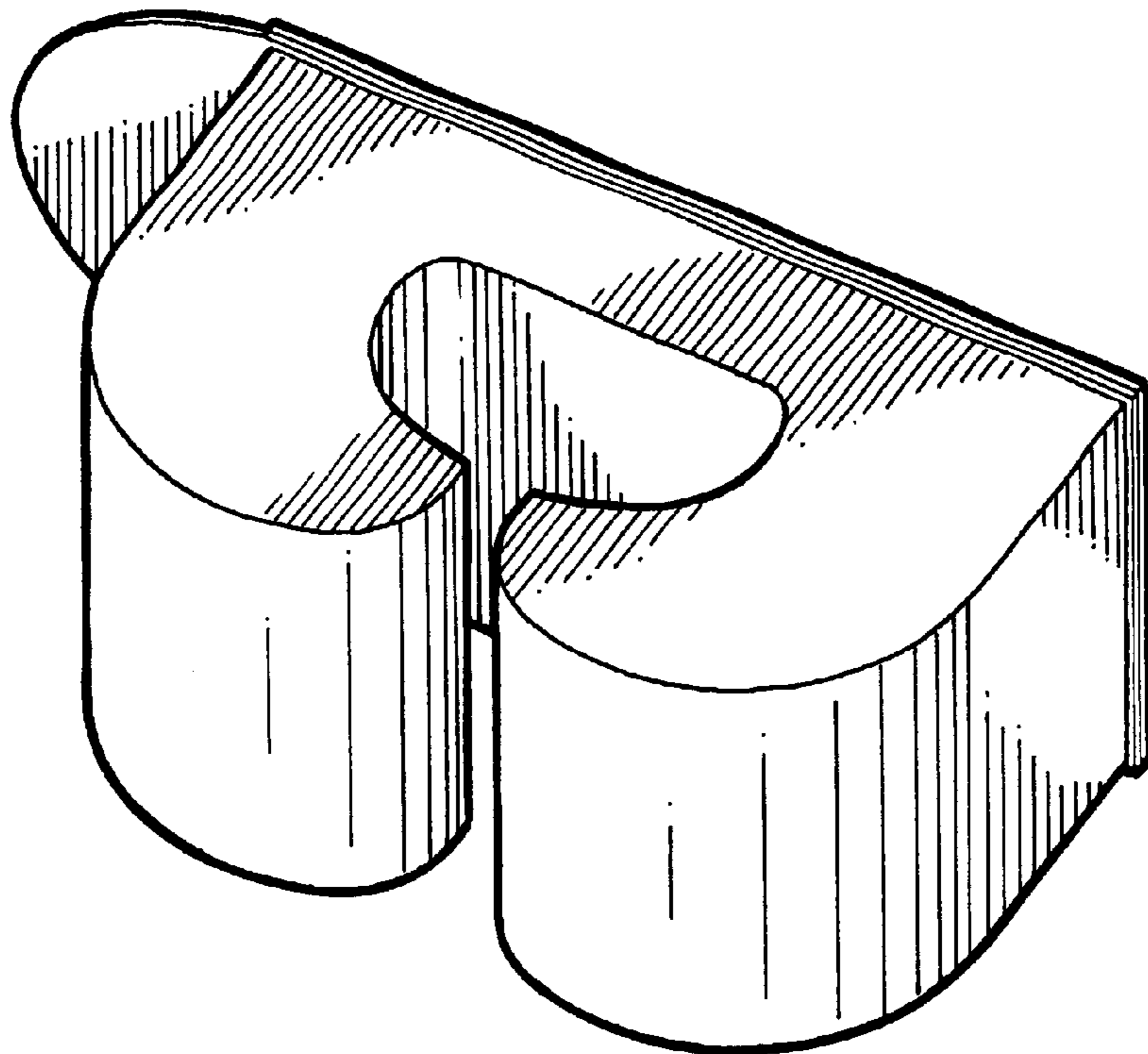


FIG. 2

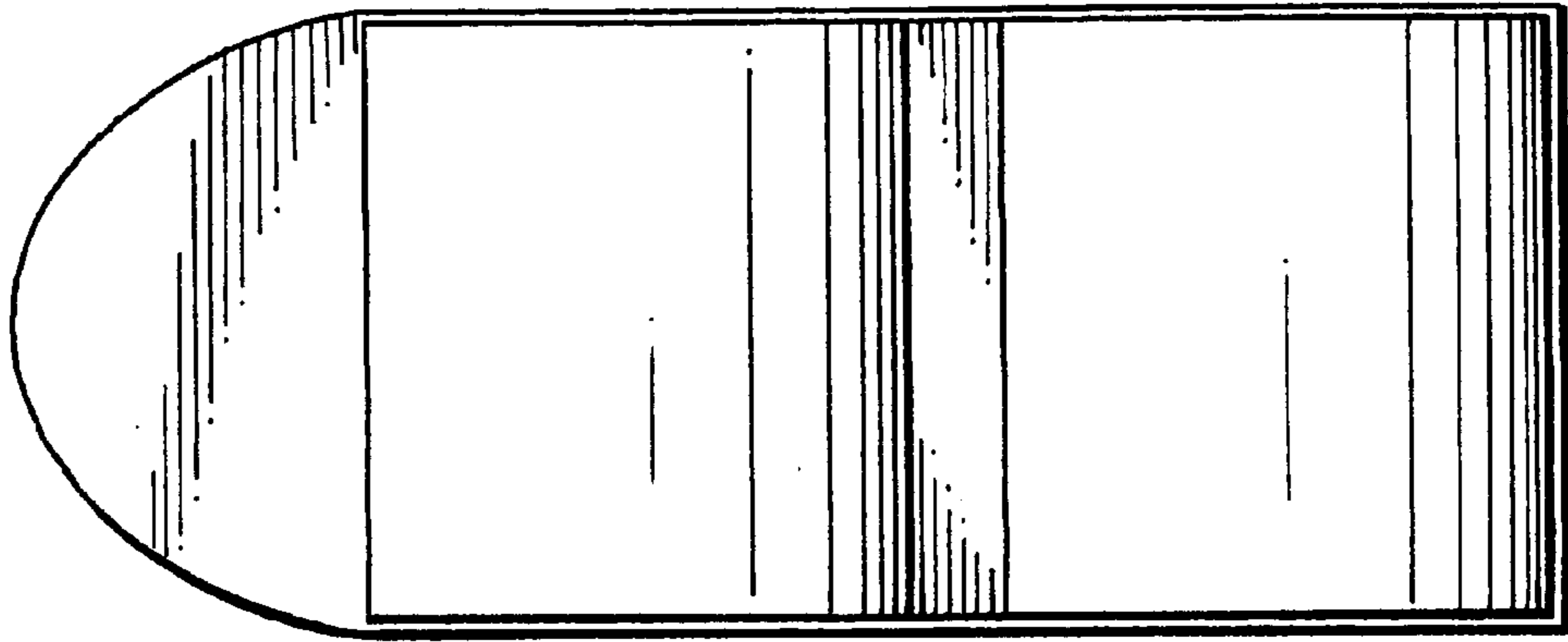


FIG. 3

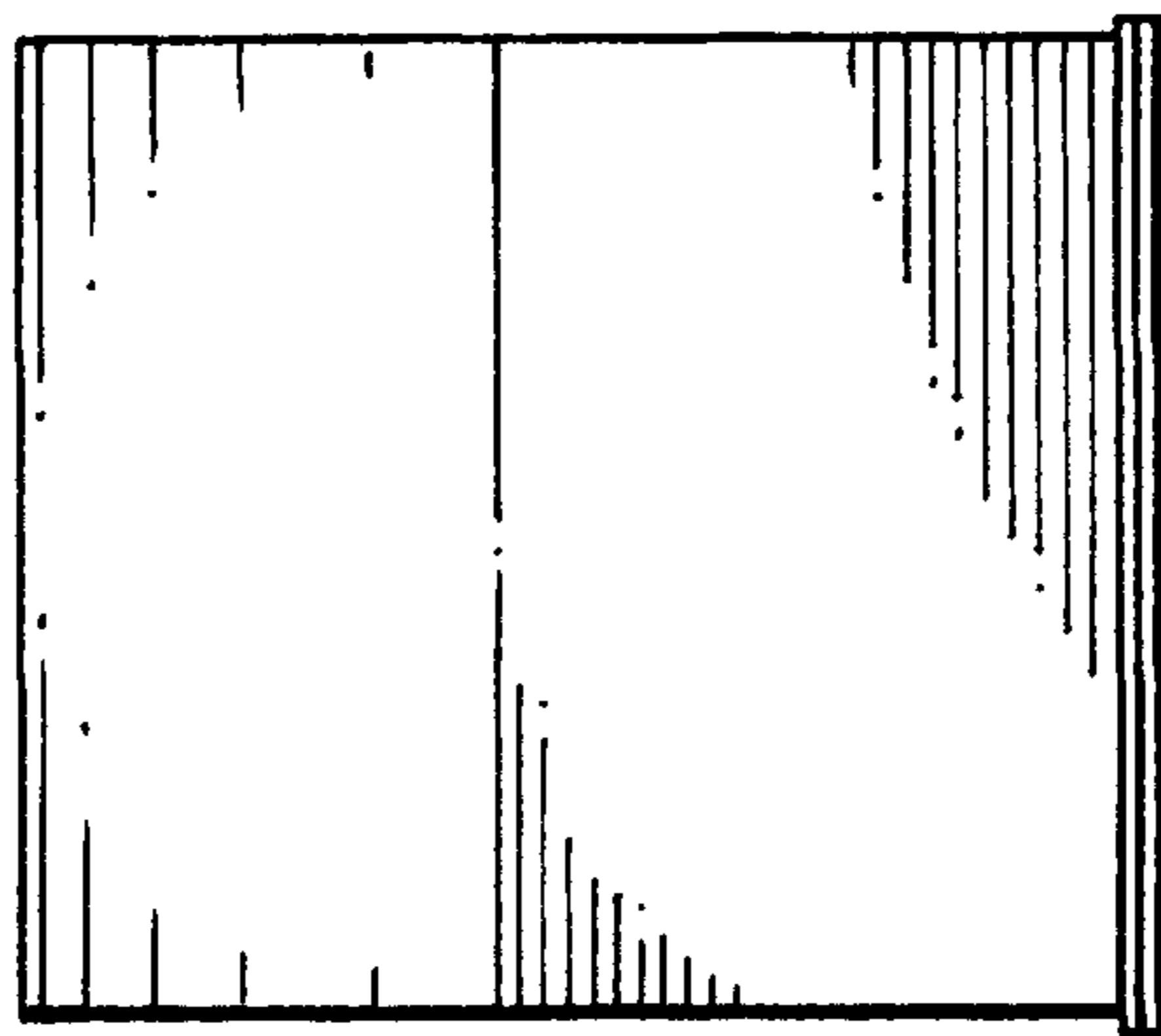


FIG. 4