



US00D478734S

(12) **United States Design Patent**
Chen

(10) **Patent No.:** **US D478,734 S**

(45) **Date of Patent:** **** Aug. 26, 2003**

(54) **CHAIR**

(75) Inventor: **Chao Ken Chen**, Chung Hua (TW)

(73) Assignee: **Tay Huah Furniture Corp**, Chung Hua (TW)

(**) Term: **14 Years**

(21) Appl. No.: **29/170,509**

(22) Filed: **Nov. 5, 2002**

(51) **LOC (7) Cl.** **06-01**

(52) **U.S. Cl.** **D6/366**

(58) **Field of Search** D6/334, 335, 364,
D6/365, 366, 367, 500, 501, 502; 297/298,
338, 343, 344.12

(56) **References Cited**

U.S. PATENT DOCUMENTS

D230,443 S	*	2/1974	Klose	D6/366
D270,020 S	*	8/1983	Drabert	D6/366
D276,576 S	*	12/1984	Helmholdt	D6/366

D292,351 S	*	10/1987	Brossard et al.	D6/366
D295,925 S	*	5/1988	Uredat-Neuhoff	D6/366
D312,002 S	*	11/1990	Carter et al.	D6/366
D378,170 S	*	2/1997	Beaulieu	D6/366
D391,089 S	*	2/1998	Chu	D6/366
D400,365 S	*	11/1998	Rossi	D6/366

* cited by examiner

Primary Examiner—Gary D. Watson

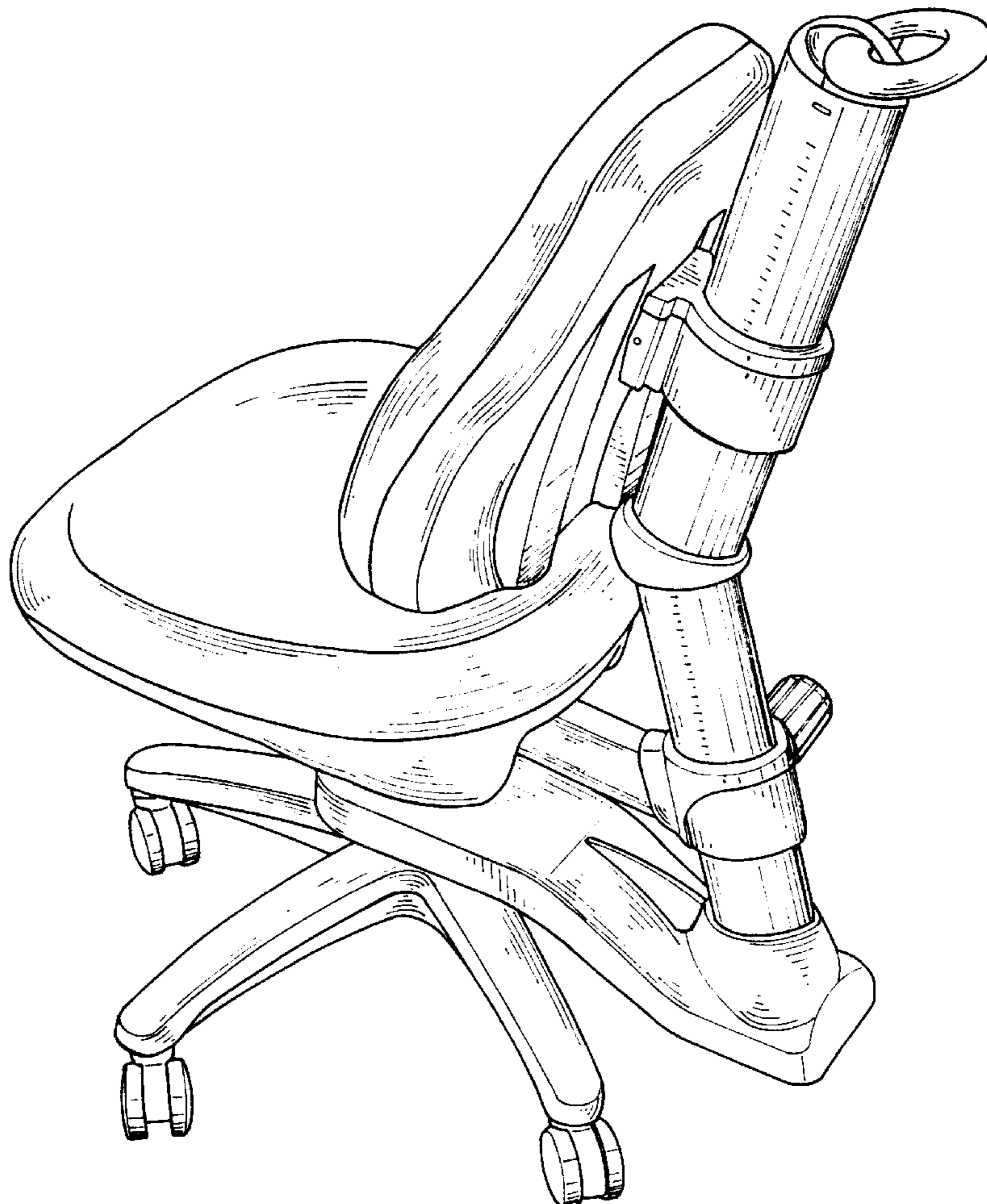
(57) **CLAIM**

The ornamental design for a chair, as shown and described.

DESCRIPTION

FIG. 1 is a perspective view of a chair showing my new design;
 FIG. 2 is a front elevational view thereof;
 FIG. 3 is a rear elevational view thereof;
 FIG. 4 is a left side view thereof;
 FIG. 5 is a right side view thereof;
 FIG. 6 is a top plan view thereof; and,
 FIG. 7 is a bottom plan view thereof.

1 Claim, 6 Drawing Sheets



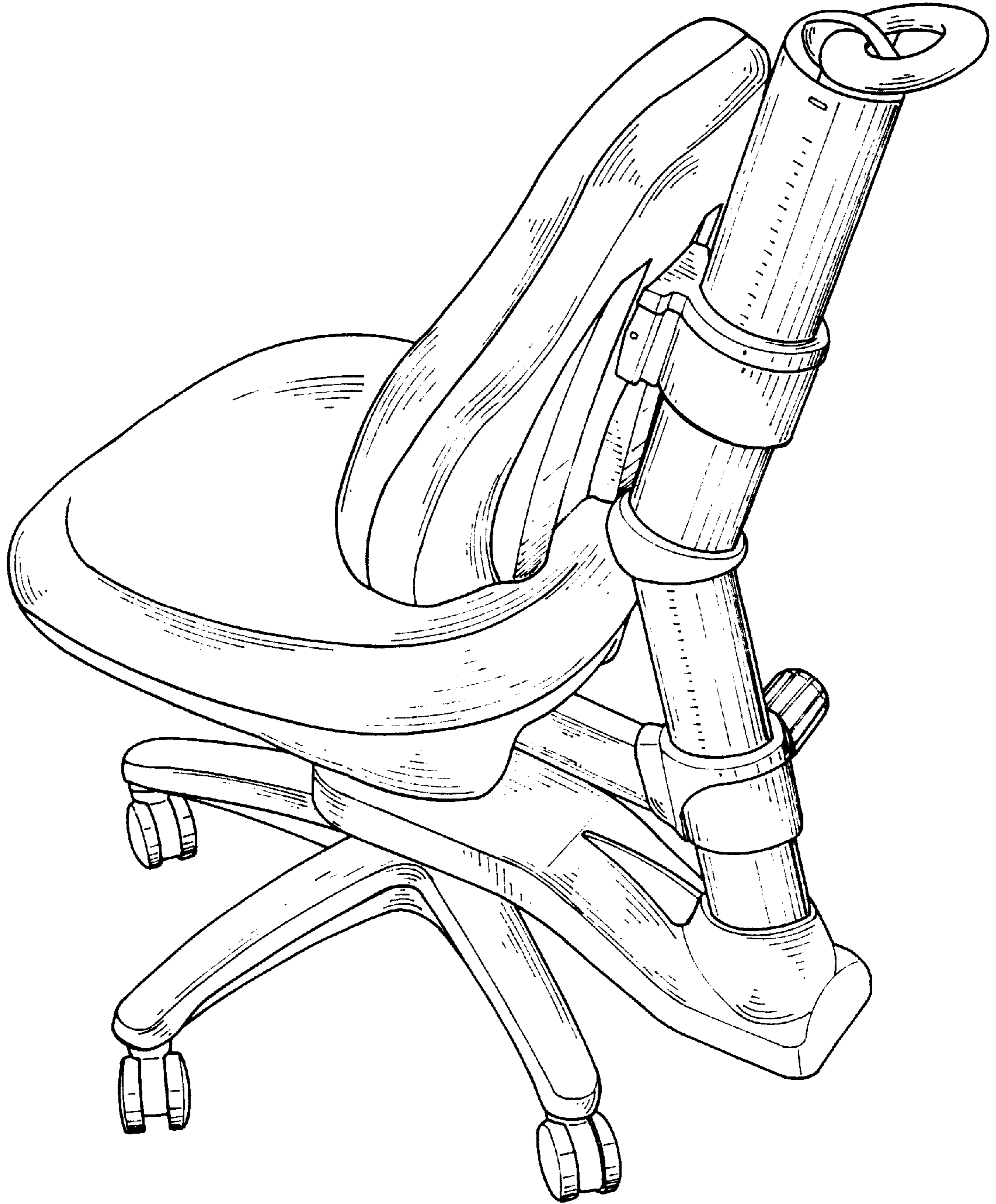


FIG. 1

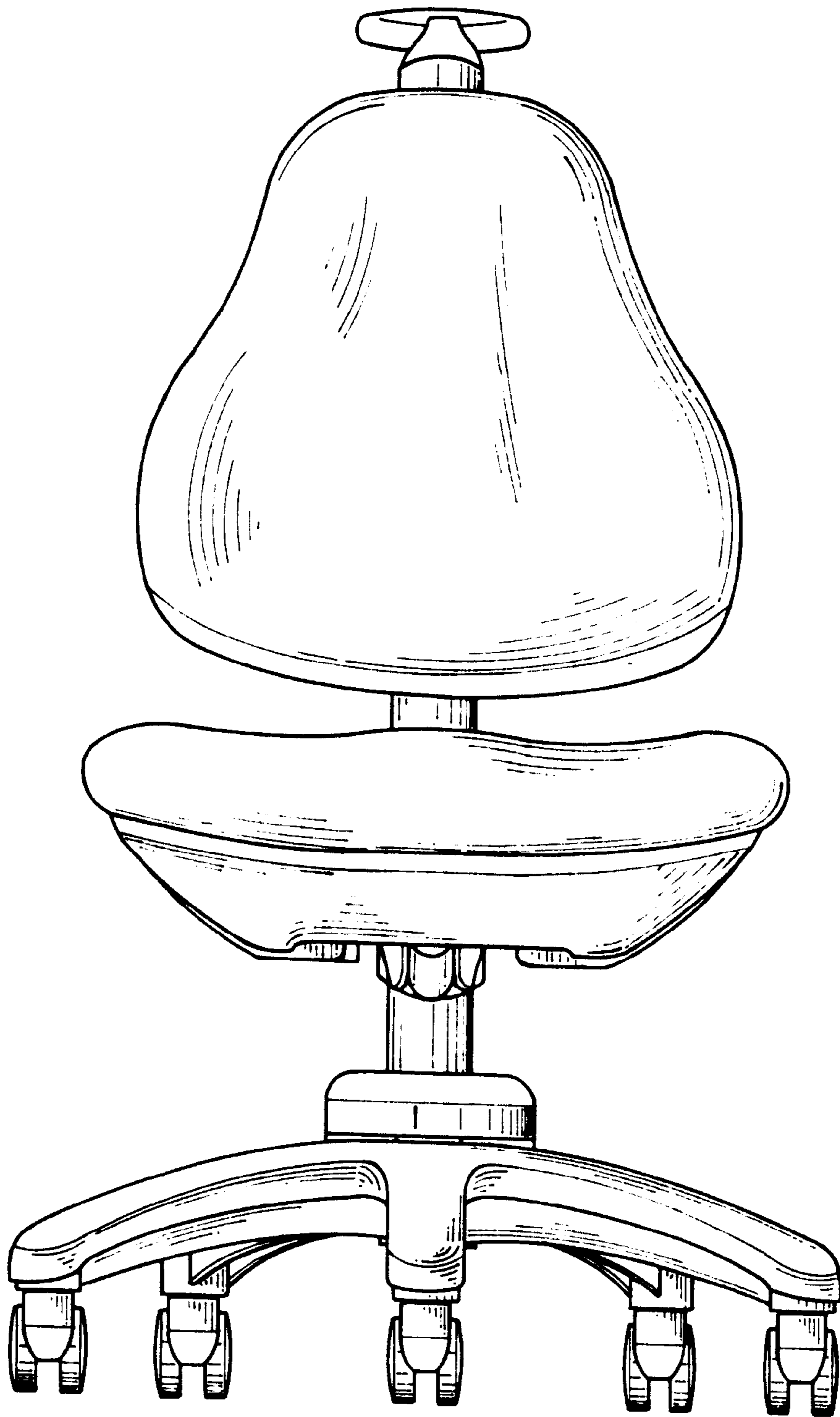


FIG. 2

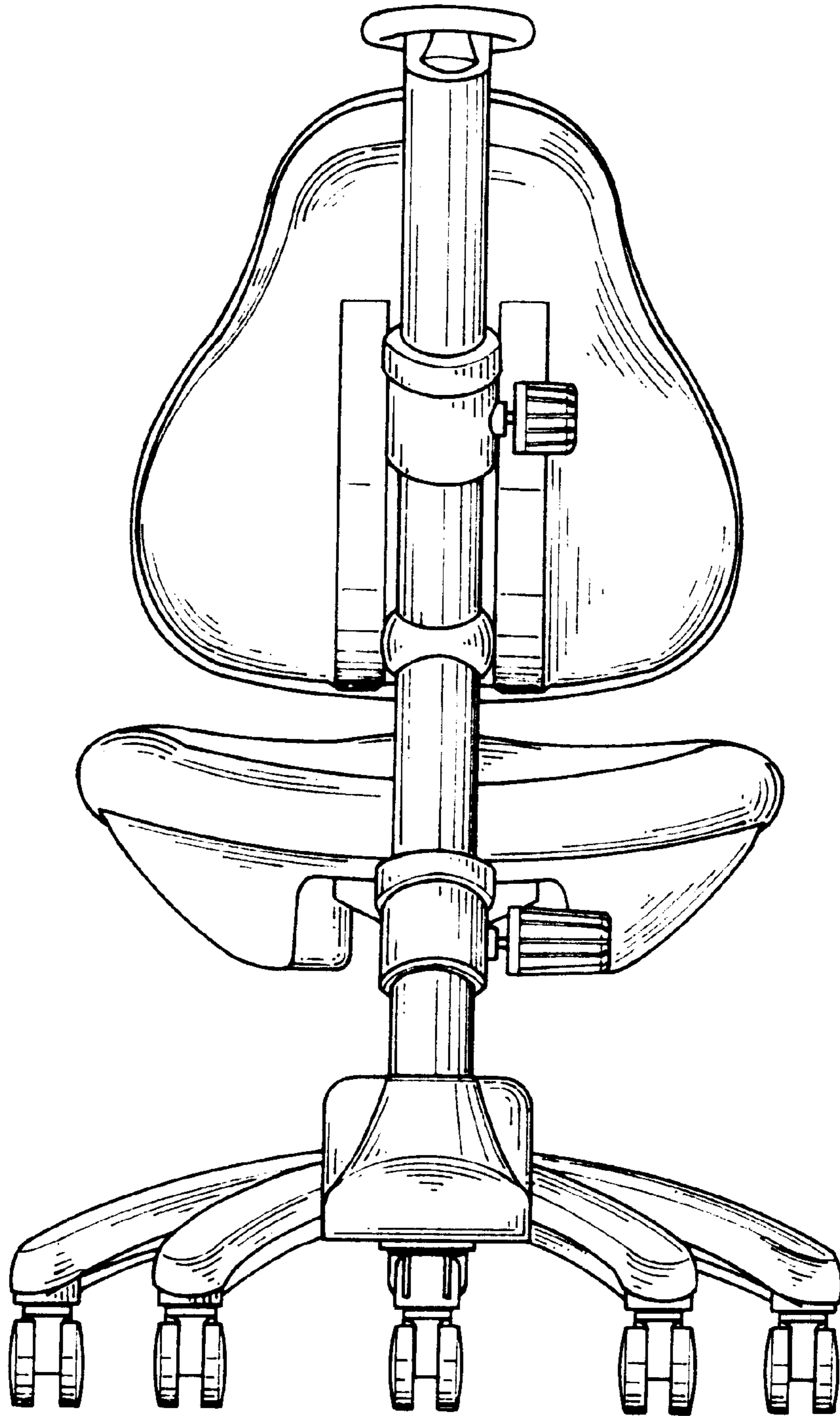


FIG. 3

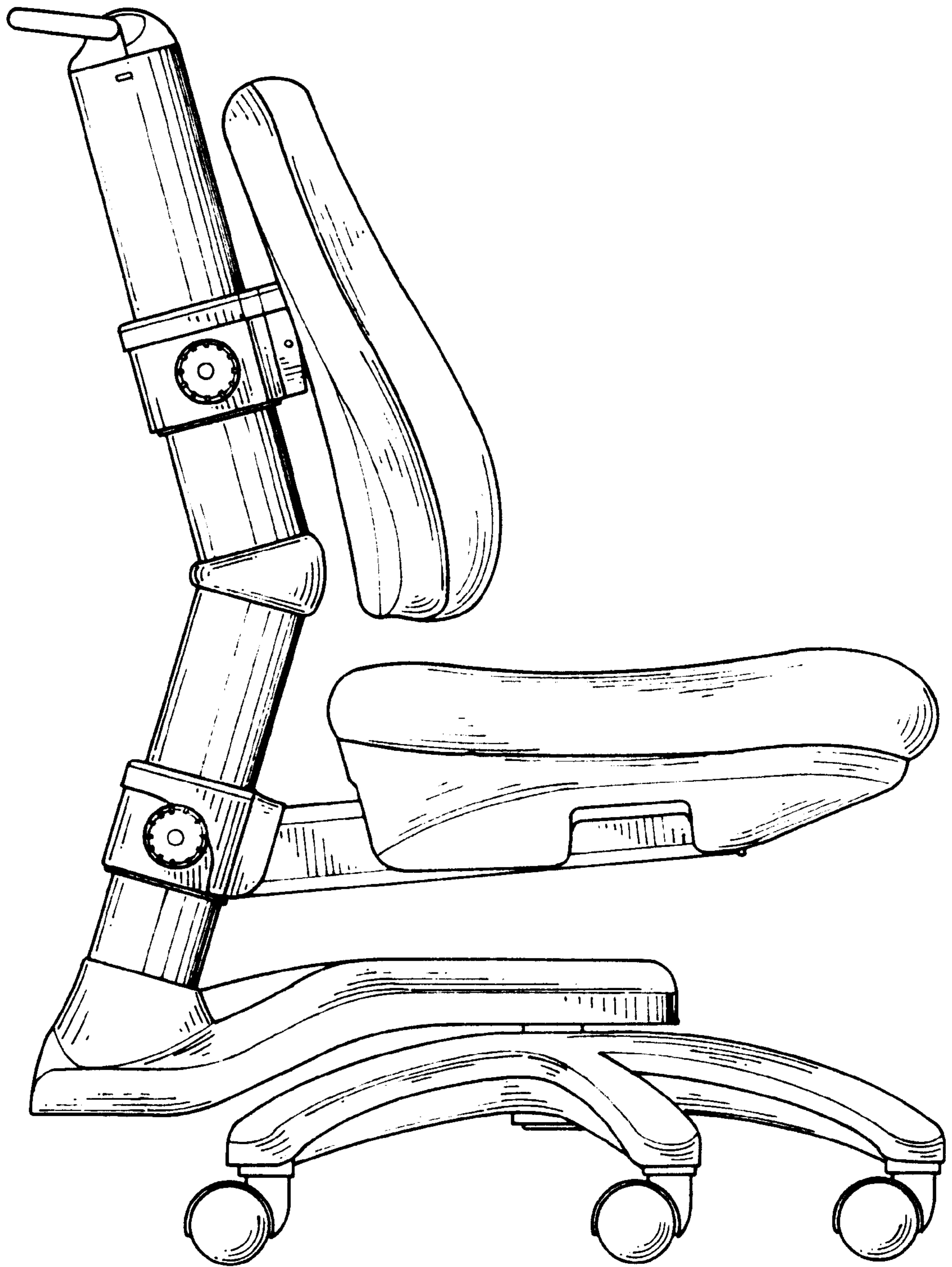


FIG. 4

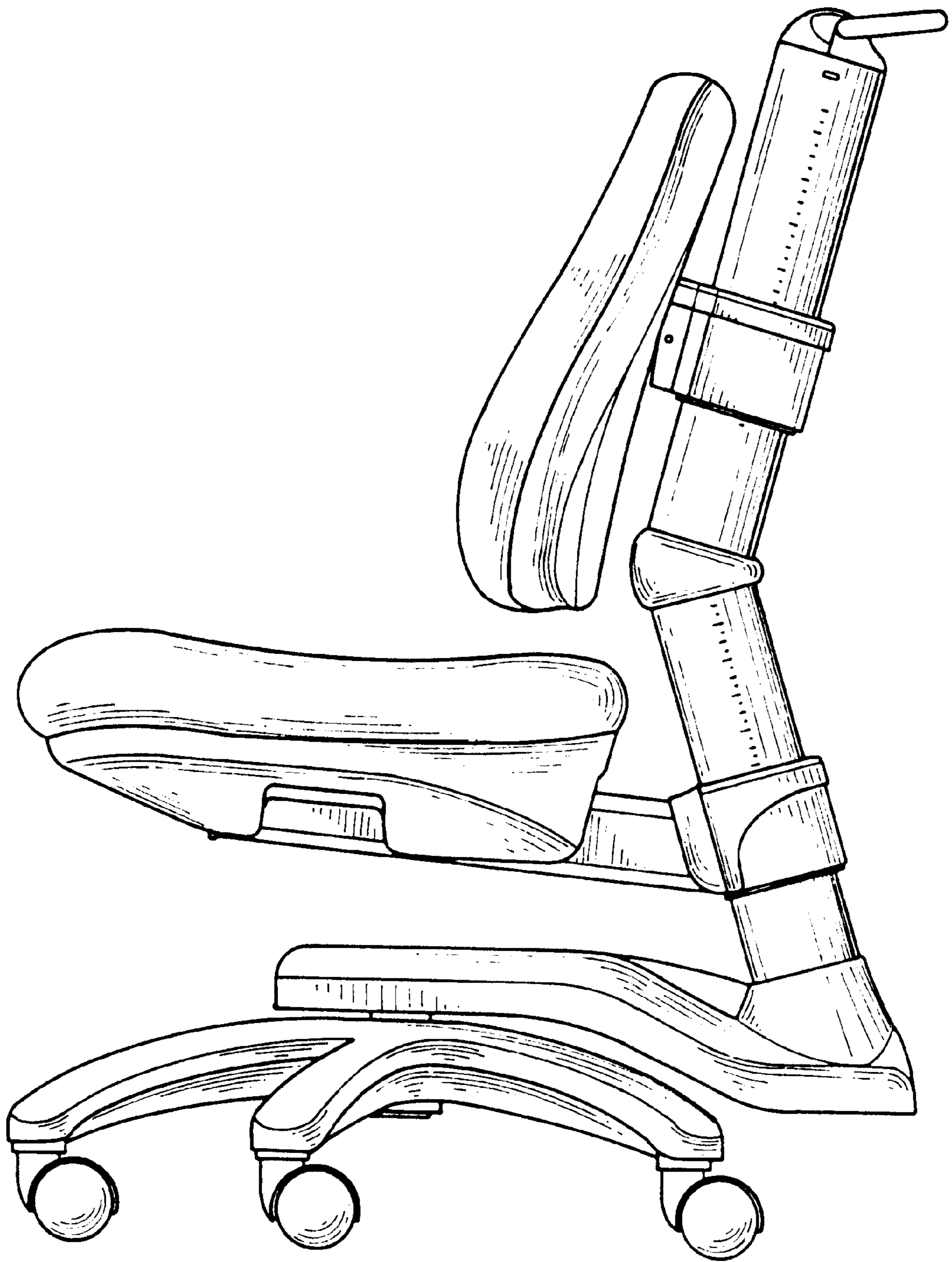


FIG. 5

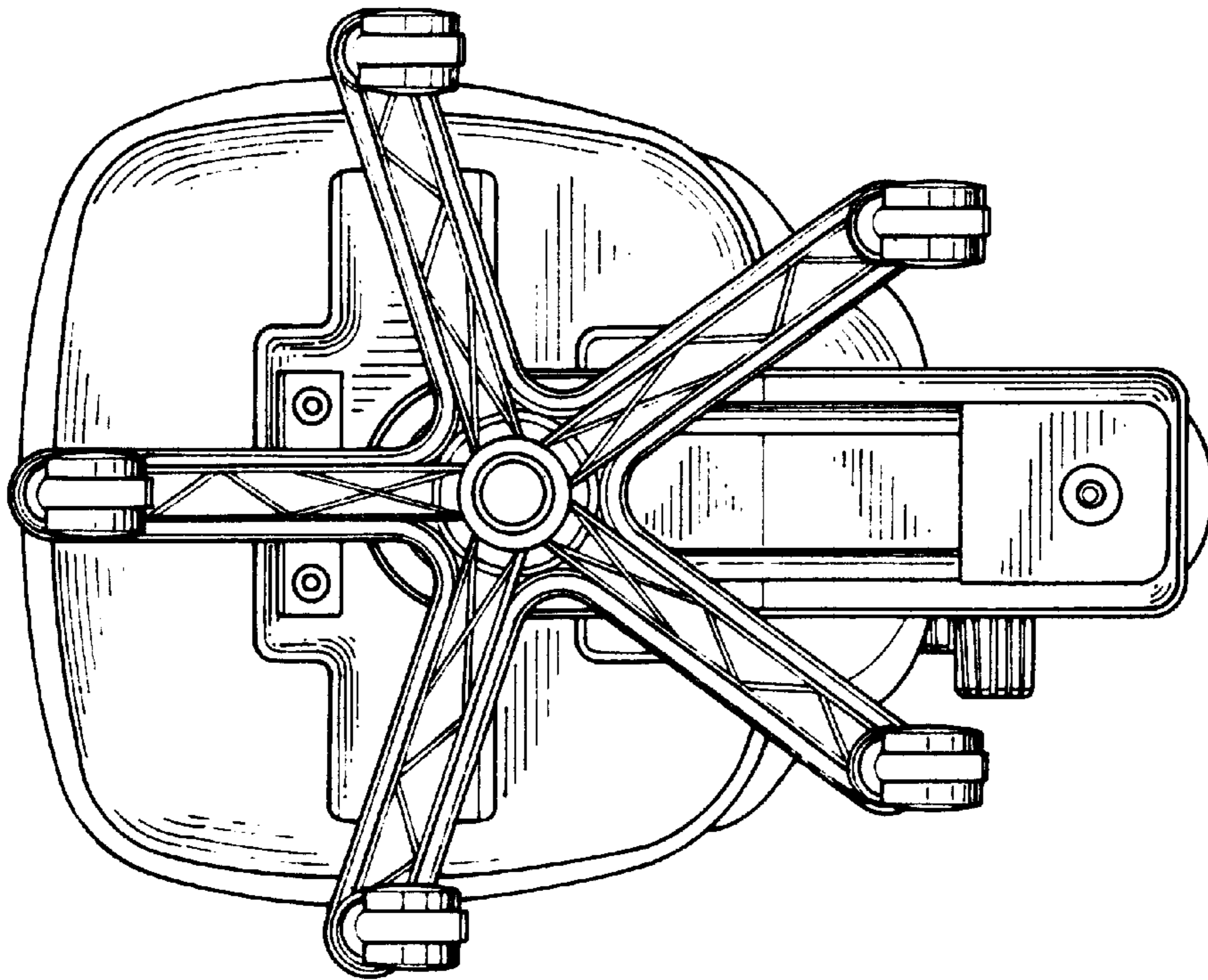


FIG. 7

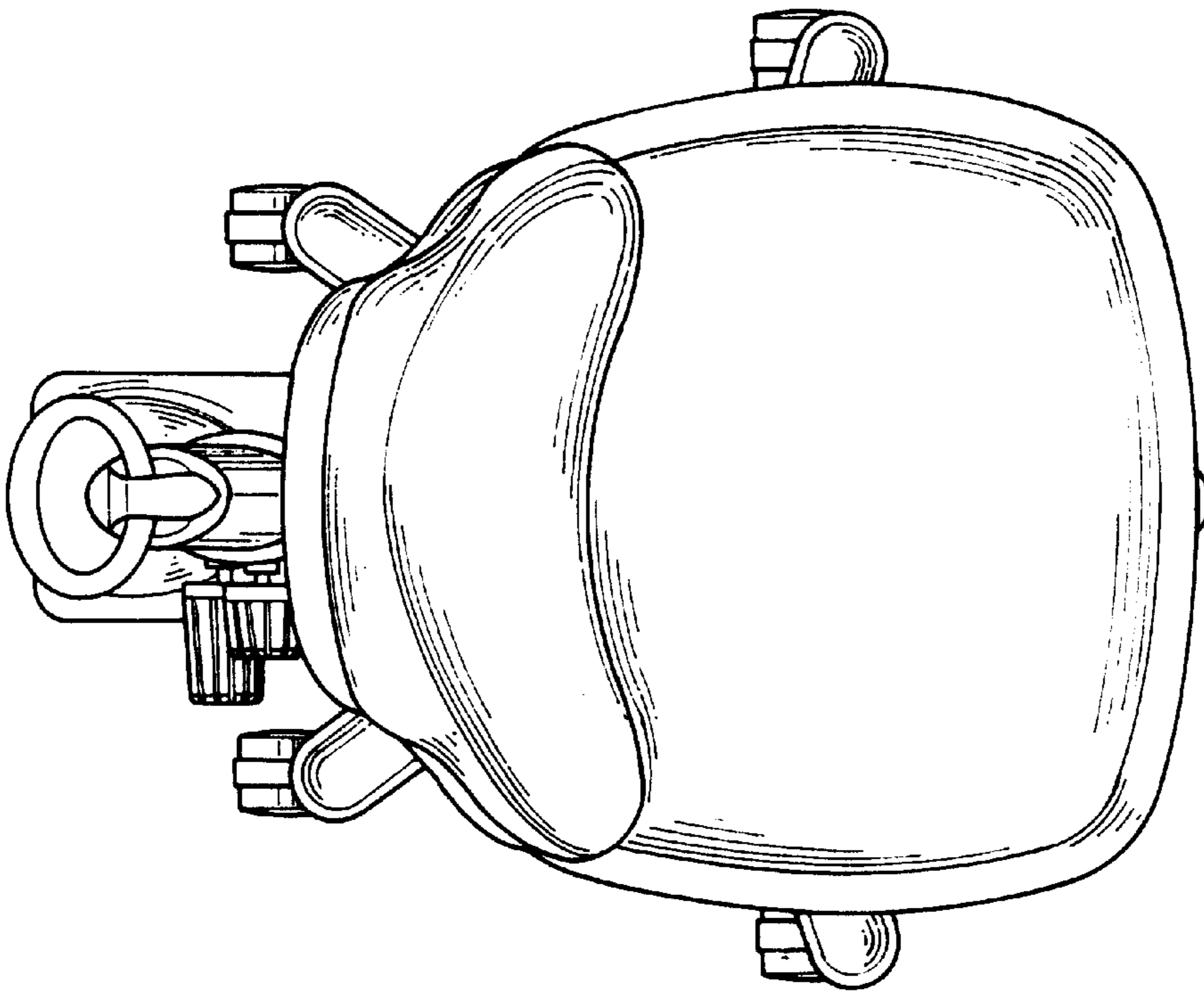


FIG. 6