



US00D478731S

(12) **United States Design Patent**
Hoernig

(10) **Patent No.:** **US D478,731 S**

(45) **Date of Patent:** **** Aug. 26, 2003**

- (54) **DOUBLE ROBE HOOK**
- (75) Inventor: **Victor Hoernig**, Lowell, IN (US)
- (73) Assignee: **Bath Unlimited, Inc.**, Fort Mill, SC (US)
- (**) Term: **14 Years**
- (21) Appl. No.: **29/164,533**
- (22) Filed: **Jul. 26, 2002**

1,741,653 A	*	12/1929	Palmer	292/357
D390,014 S	*	2/1998	Ho	D6/323
5,813,549 A	*	9/1998	Sheehan et al.	D6/569
D436,454 S	*	1/2001	Moore	D6/323
D437,208 S	*	2/2001	Snell	D8/372
D446,110 S	*	8/2001	McDuff et al.	D8/367
D464,871 S	*	10/2002	Kalat	D8/372

* cited by examiner

Primary Examiner—B. J. Bullock
(74) *Attorney, Agent, or Firm*—Edgar A. Zarins; Lloyd D. Doigan

Related U.S. Application Data

- (62) Division of application No. 29/142,631, filed on May 30, 2001, now Pat. No. Des. 465,340.
- (51) **LOC (7) Cl.** **06-08**
- (52) **U.S. Cl.** **D6/323**
- (58) **Field of Search** D6/323, 546, 548, D6/550, 567, 569, 572; D8/367, 372, 350, 352, 353; 248/304–308; 211/106.1; 292/357

(56) **References Cited**

U.S. PATENT DOCUMENTS

924,801 A	*	6/1909	Lockwood	292/357
D70,241 S	*	5/1926	Schwerin	D8/350

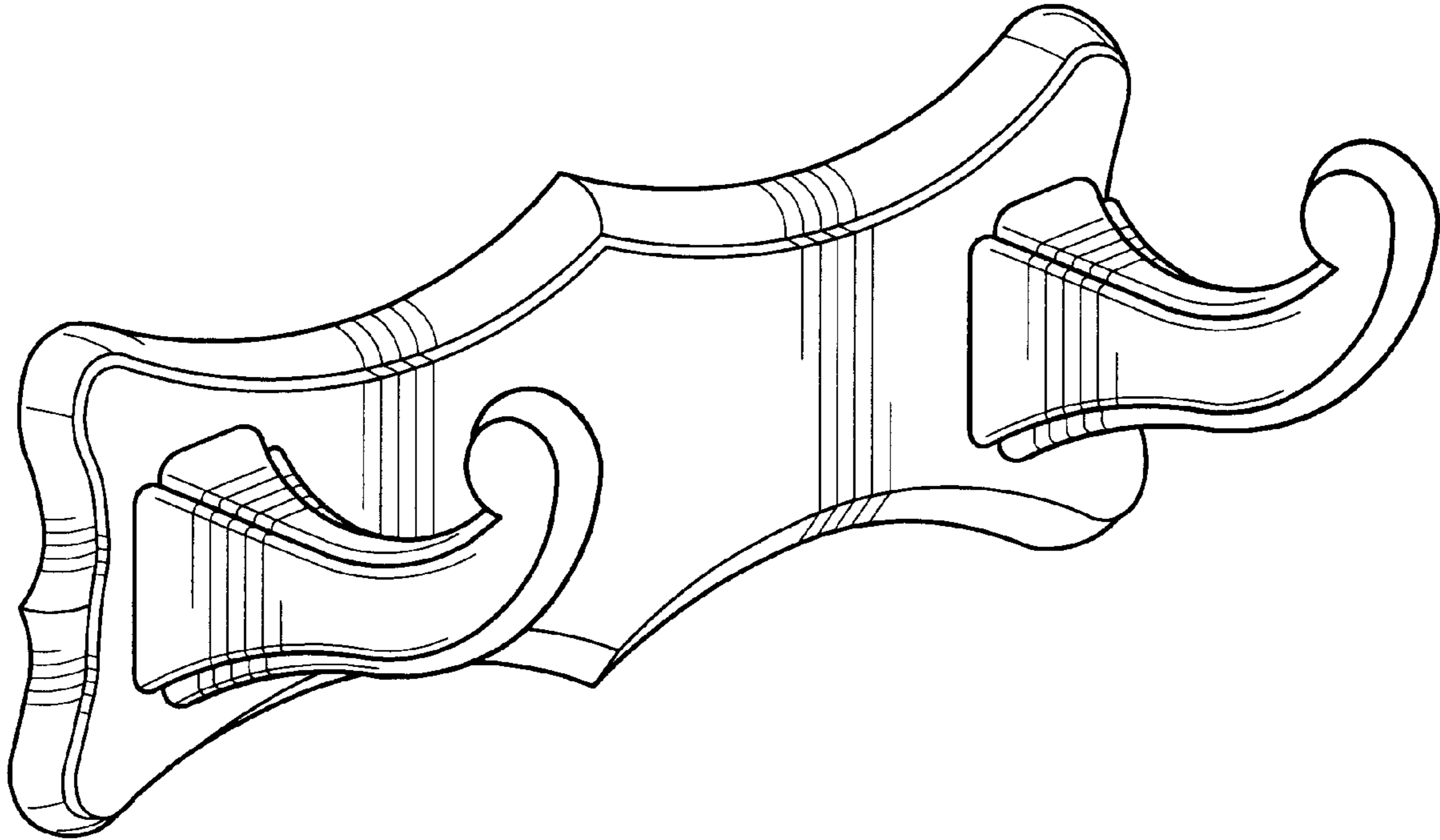
(57) **CLAIM**

The ornamental design for a double robe hook, as shown and described.

DESCRIPTION

FIG. 1 is a perspective view of a double robe hook showing my new design;
FIG. 2 is a right side view thereof, the opposite side being a mirror image of the side shown;
FIG. 3 is a front elevational view thereof; and,
FIG. 4 is a top plan view thereof.
FIG. 2 is shown on an enlarged scale.

1 Claim, 2 Drawing Sheets



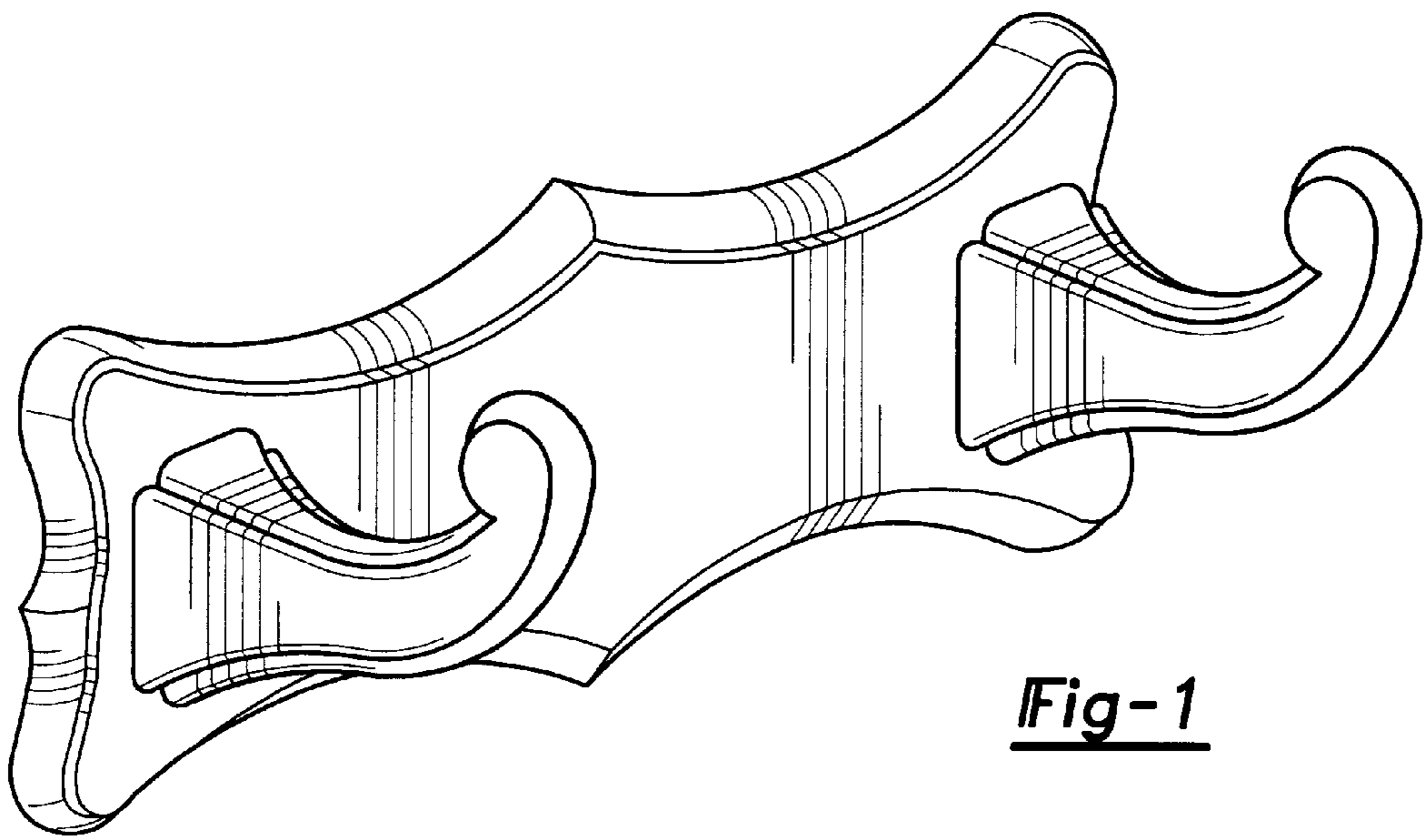


Fig-1

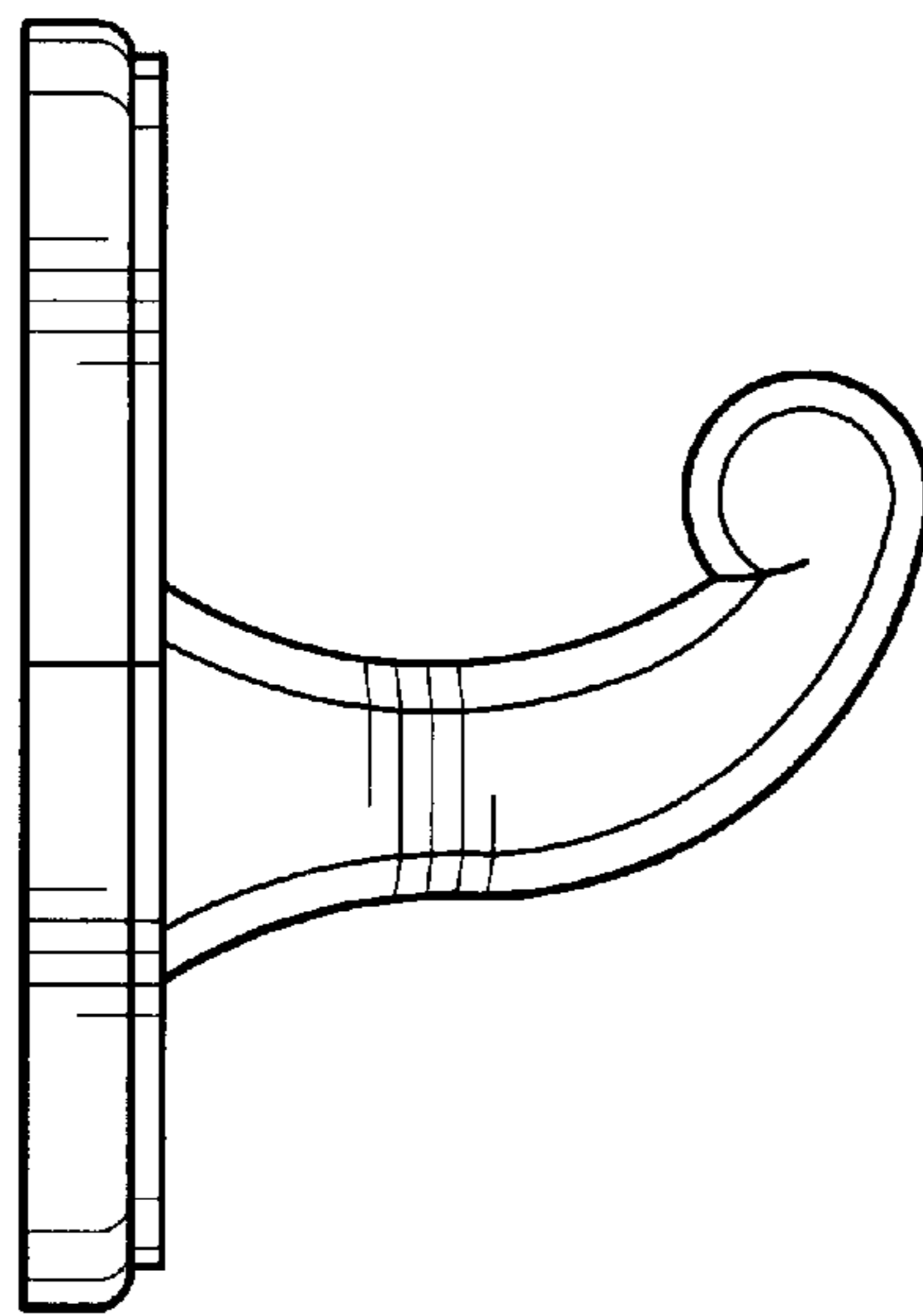


Fig-2

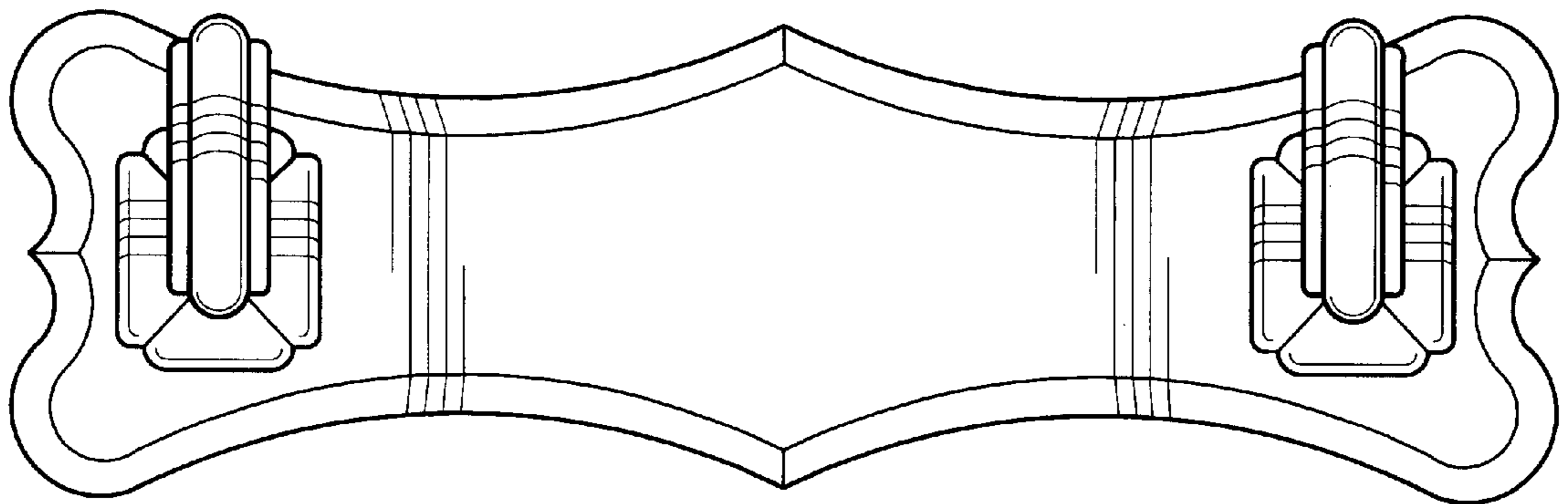


Fig-3

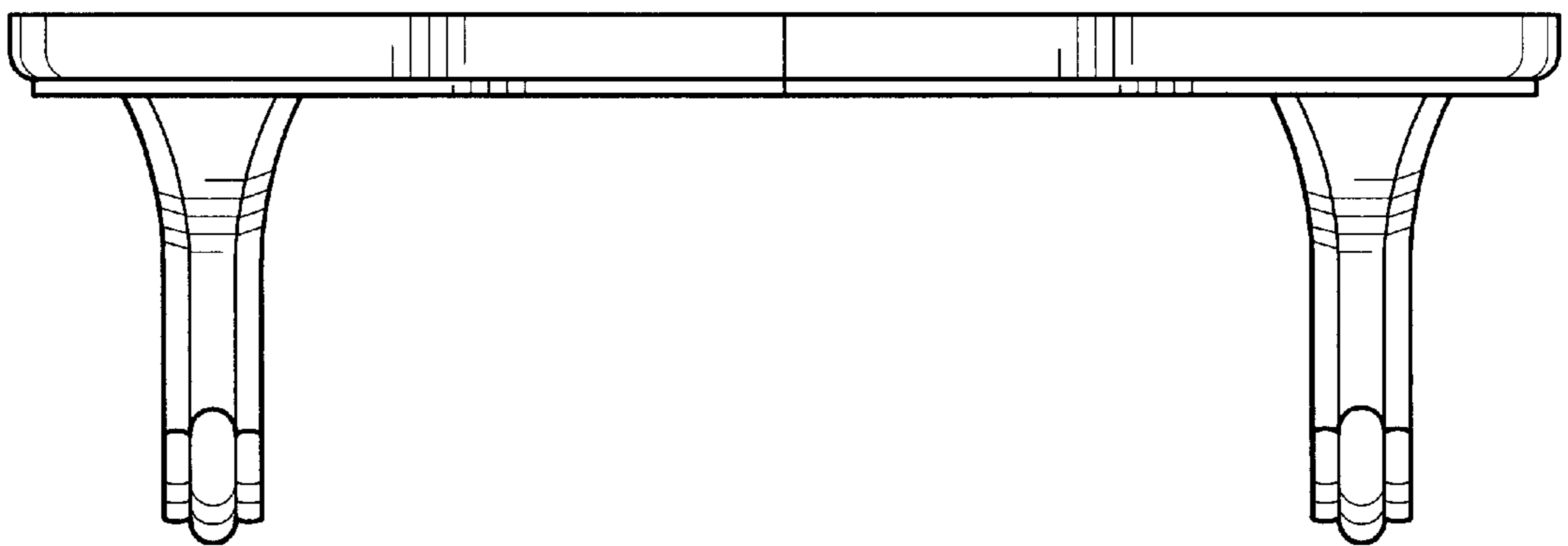


Fig-4