



US00D478726S

(12) **United States Design Patent**
Masso et al.

(10) **Patent No.: US D478,726 S**

(45) **Date of Patent: ** Aug. 26, 2003**

(54) **DRAWING TRANSPORT TUBE**

D470,308 S * 2/2003 McGeehan D3/228

(76) Inventors: **Robin Masso**, 232 William Henry Rd.,
North Scituate, RI (US) 02857; **Steven**
Masso, 232 William Henry Rd., North
Scituate, RI (US) 02857

(**) Term: **14 Years**

(21) Appl. No.: **29/169,379**

(22) Filed: **Oct. 18, 2002**

(51) **LOC (7) Cl. 03-01**

(52) **U.S. Cl. D3/300; D3/269; D3/260**

(58) **Field of Search D3/201, 202, 217,**
D3/254, 255, 260, 262, 269, 273, 300;
206/225, 226, 409, 224, 315.11, 315.2;
224/227, 257

(56) **References Cited**

U.S. PATENT DOCUMENTS

2,962,187	A	*	11/1960	Morris	220/780
D271,162	S	*	11/1983	Evans	D3/254
4,576,279	A	*	3/1986	Ferderber	206/225
D283,758	S	*	5/1986	Stewart et al.	D7/703
D291,842	S	*	9/1987	Baumgardner	D3/254
D302,775	S	*	8/1989	Sinoff et al.	D7/608
D334,689	S	*	4/1993	Mason	D7/608
D342,380	S	*	12/1993	Hoffman	D3/276
5,425,194	A	*	6/1995	Miller	43/26
D410,333	S	*	6/1999	Coca	D3/260

OTHER PUBLICATIONS

Utrecht Art Supplies Catalog, www.utrecht.com, Fall 2002,
p. 55, Artbin Telescoping Transport Tube, Alvin Ice Tube.*

* cited by examiner

Primary Examiner—Philip S. Hyder

(74) *Attorney, Agent, or Firm*—Barlow, Josephs & Holmes,
Ltd.

(57) **CLAIM**

The ornamental design for a drawing transport tube, as
shown and described.

DESCRIPTION

FIG. 1 is a perspective view of a drawing transport tube,
showing our new design;

FIG. 2 is a front elevational view thereof;

FIG. 3 is a right side view thereof;

FIG. 4 is a left side view thereof;

FIG. 5 is a rear view thereof;

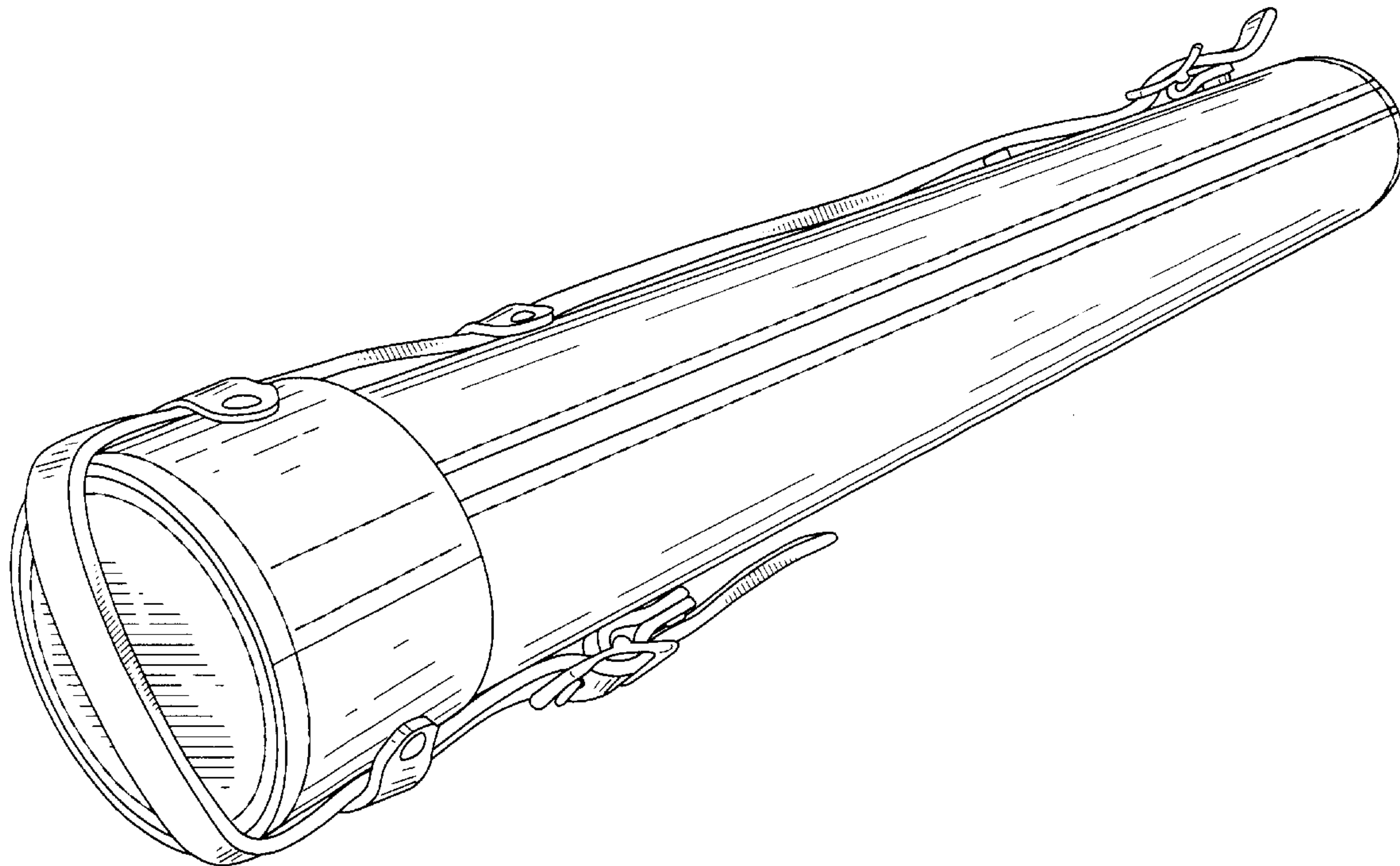
FIG. 6 is a top plan view thereof;

FIG. 7 is a bottom view thereof;

FIG. 8 is a perspective view of our design of FIG. 1 with the
strap handle in a first alternate position; and,

FIG. 9 is a perspective view of our design of FIG. 1 with the
strap handle in a second alternate position.

1 Claim, 9 Drawing Sheets



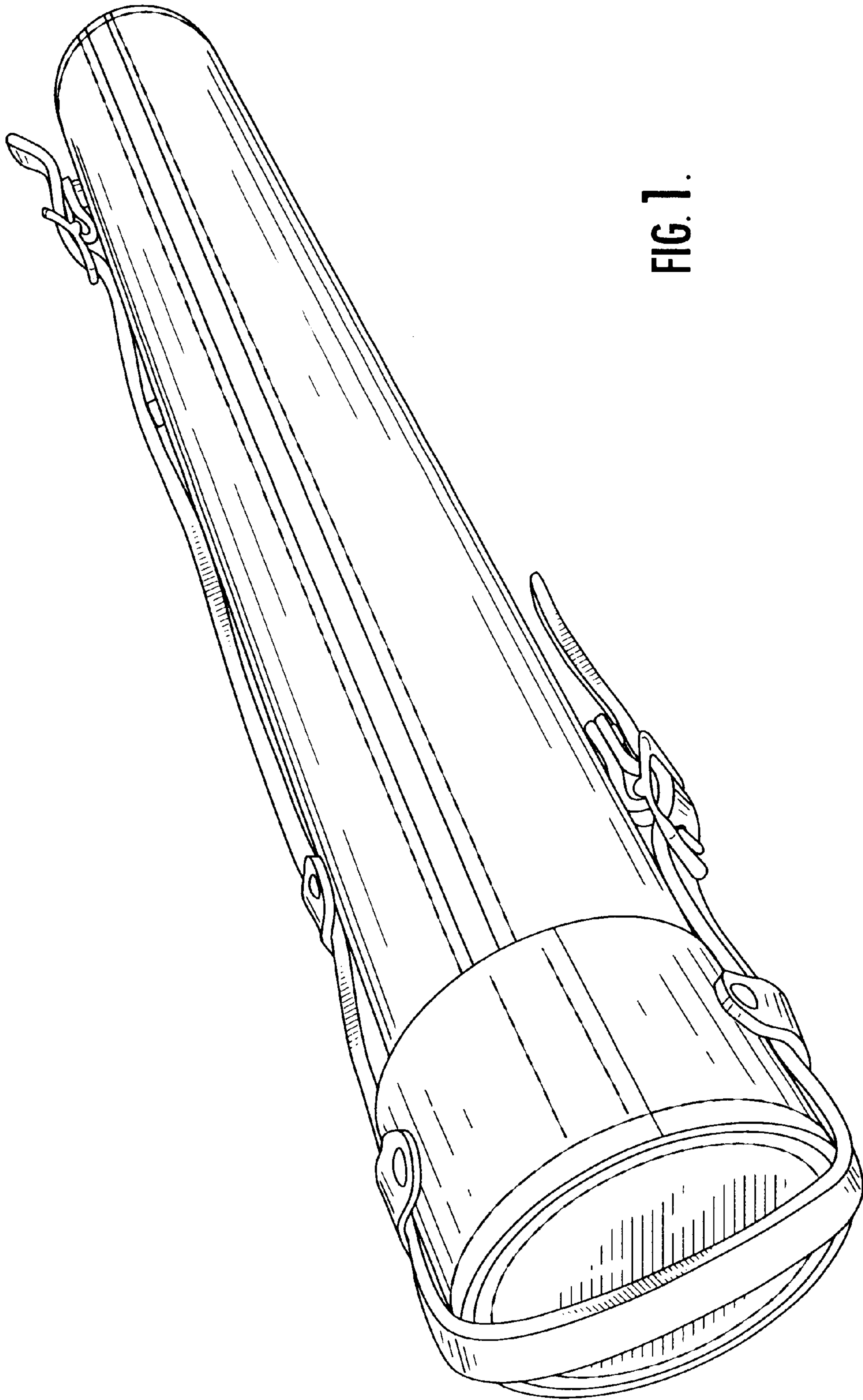


FIG. 1.

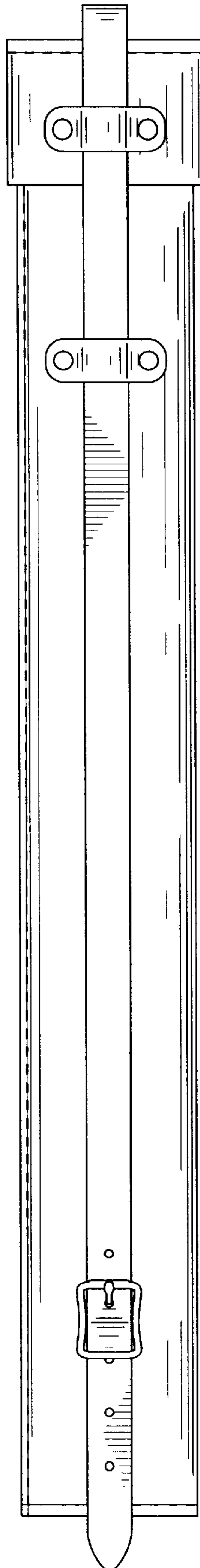


FIG. 2.

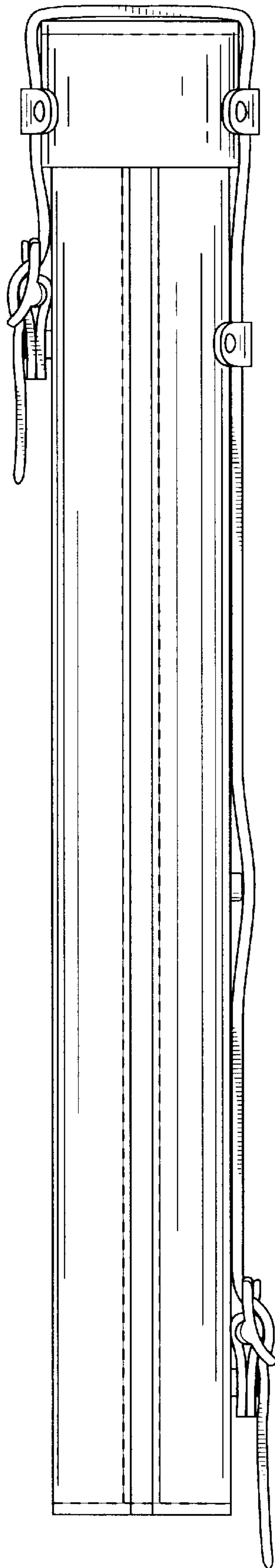


FIG. 3.

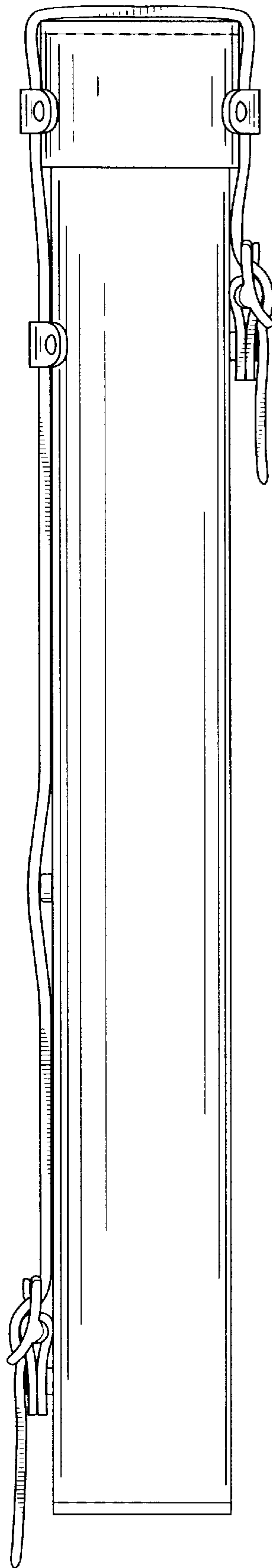


FIG. 4.

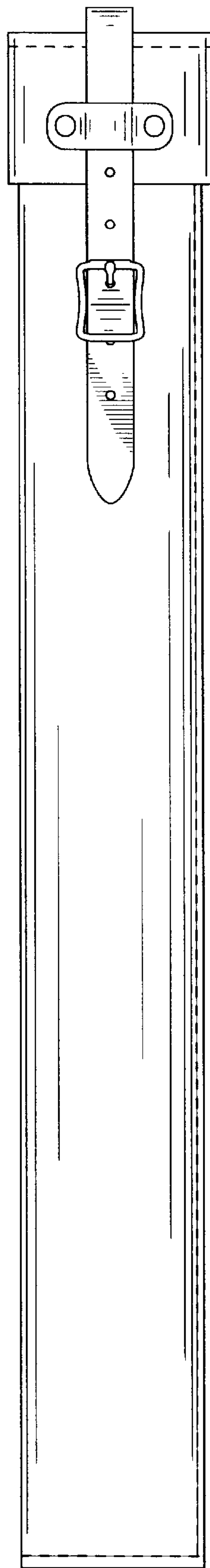


FIG. 5.

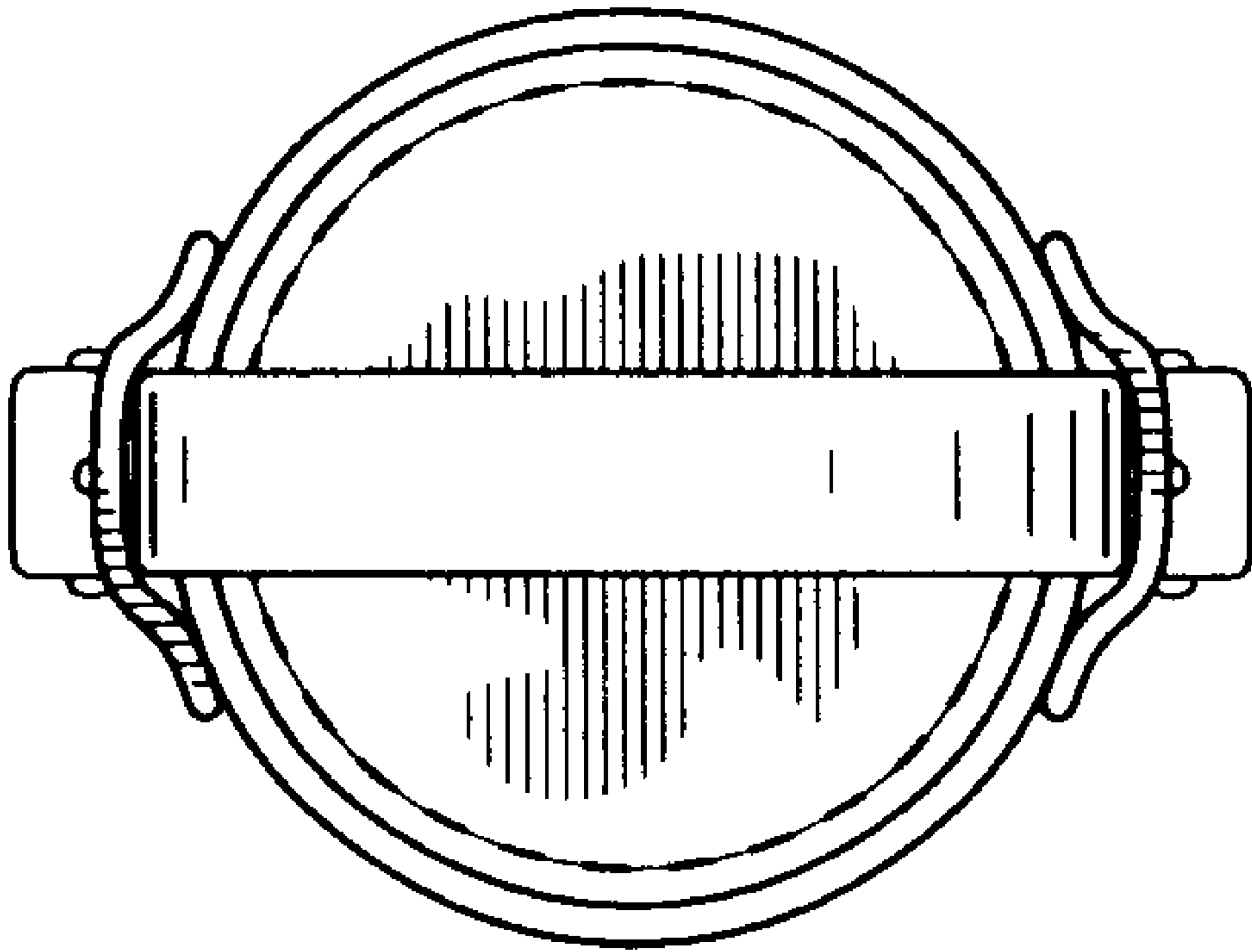


FIG. 6.

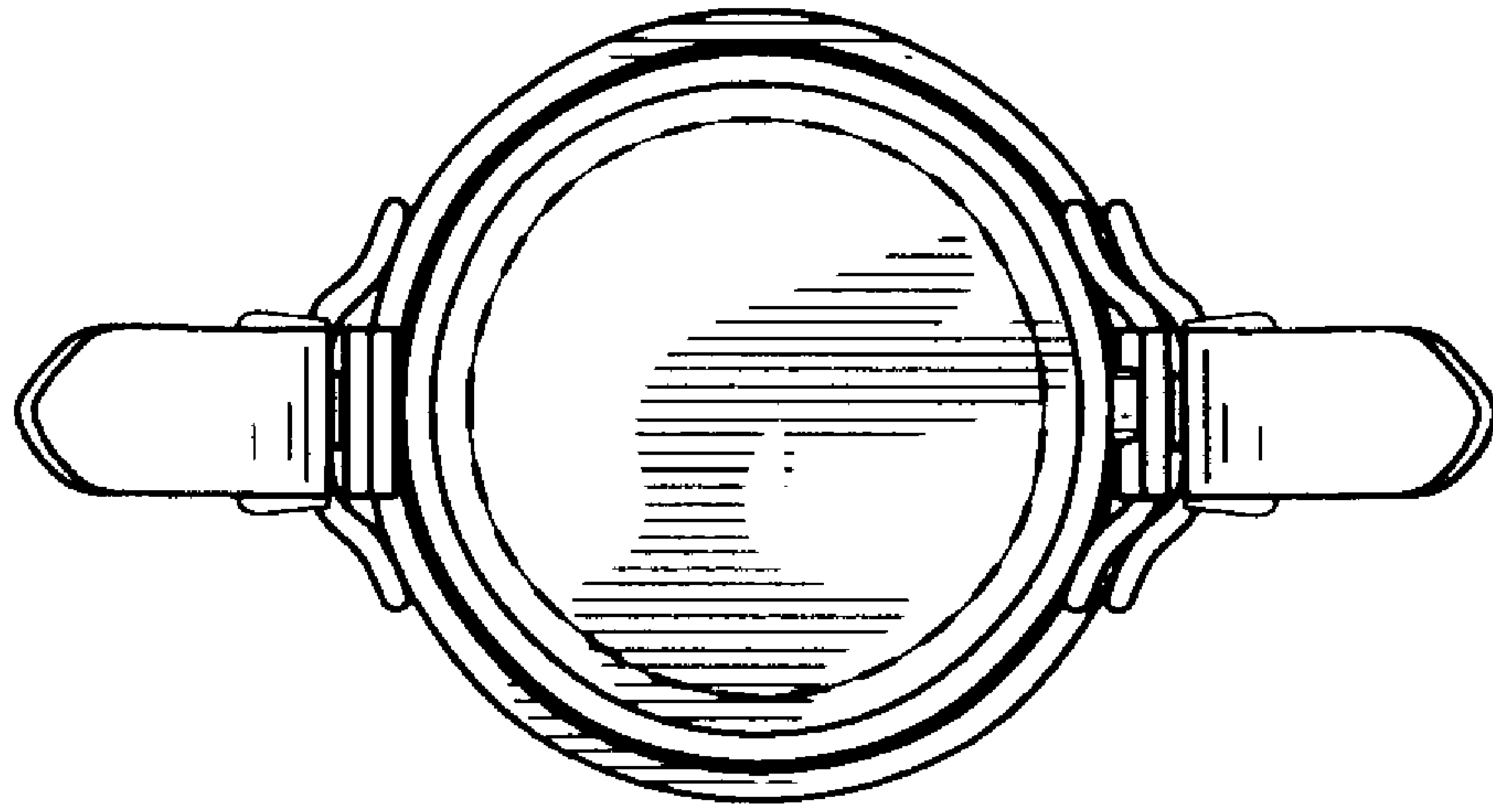


FIG. 7.

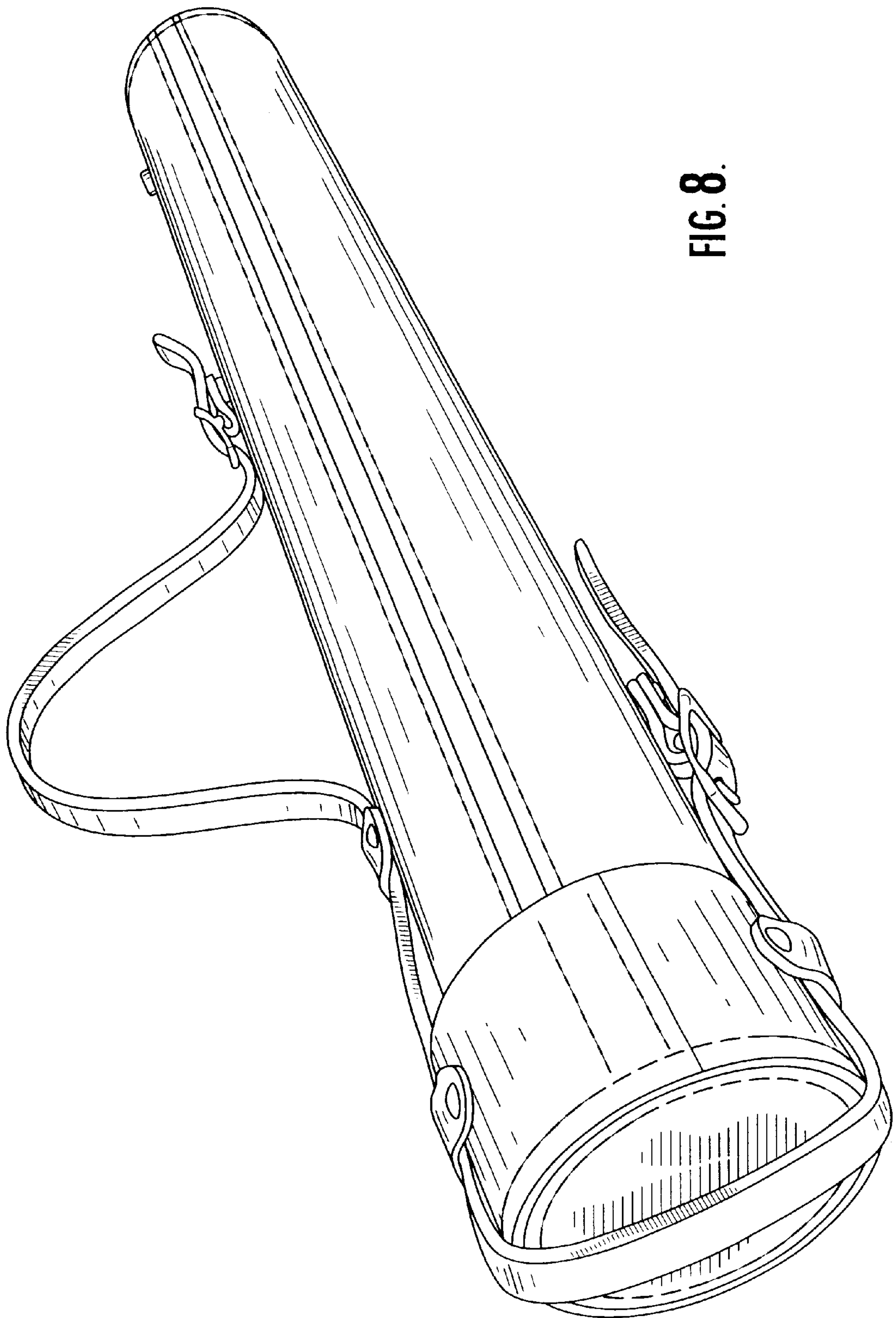


FIG. 8.

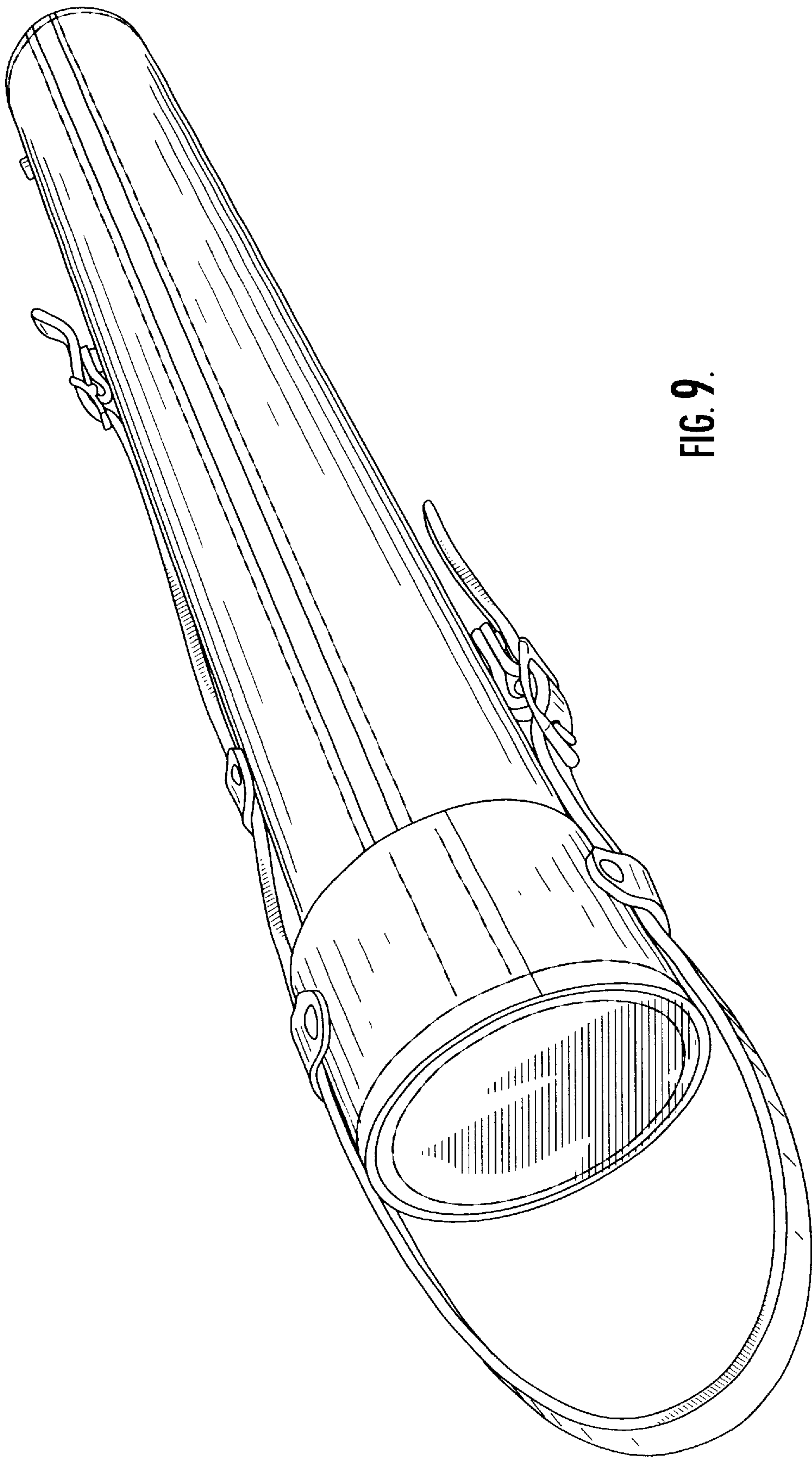


FIG. 9.