



US00D478722S

(12) **United States Design Patent**
Parker

(10) **Patent No.:** **US D478,722 S**

(45) **Date of Patent:** **** Aug. 26, 2003**

(54) **TOWEL AND RETRACTABLE TOWEL
HOLDER**

D471,005 S * 3/2003 Hastings D3/215

* cited by examiner

(76) **Inventor:** **Cherylee A. Parker**, 2536 Bonita Dr.,
Waterford, MI (US) 48329

Primary Examiner—Catherine R. Oliver

(**) **Term:** **14 Years**

(57) **CLAIM**

The ornamental design for a towel and retractable towel holder, as shown and described.

(21) **Appl. No.:** **29/171,636**

DESCRIPTION

(22) **Filed:** **Nov. 27, 2002**

(51) **LOC (7) Cl.** **03-01**

FIG. 1 is a front elevated view of a towel and retractable towel holder showing my new design.

(52) **U.S. Cl.** **D3/215; D3/221**

FIG. 2 is a rear elevated view of the towel and retractable towel holder.

(58) **Field of Search** D3/215, 221, 228,
D3/229, 224, 226, 207-210, 329; 24/3.1,
3.6, 3.11, 3.12, 3.13, 306

FIG. 3 is a right side elevated view of the towel and retractable towel holder.

(56) **References Cited**

FIG. 4 is a left side elevated view of the towel and retractable towel holder.

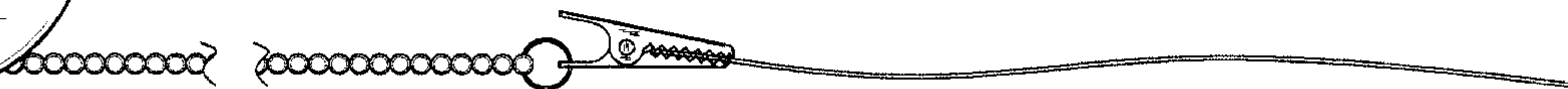
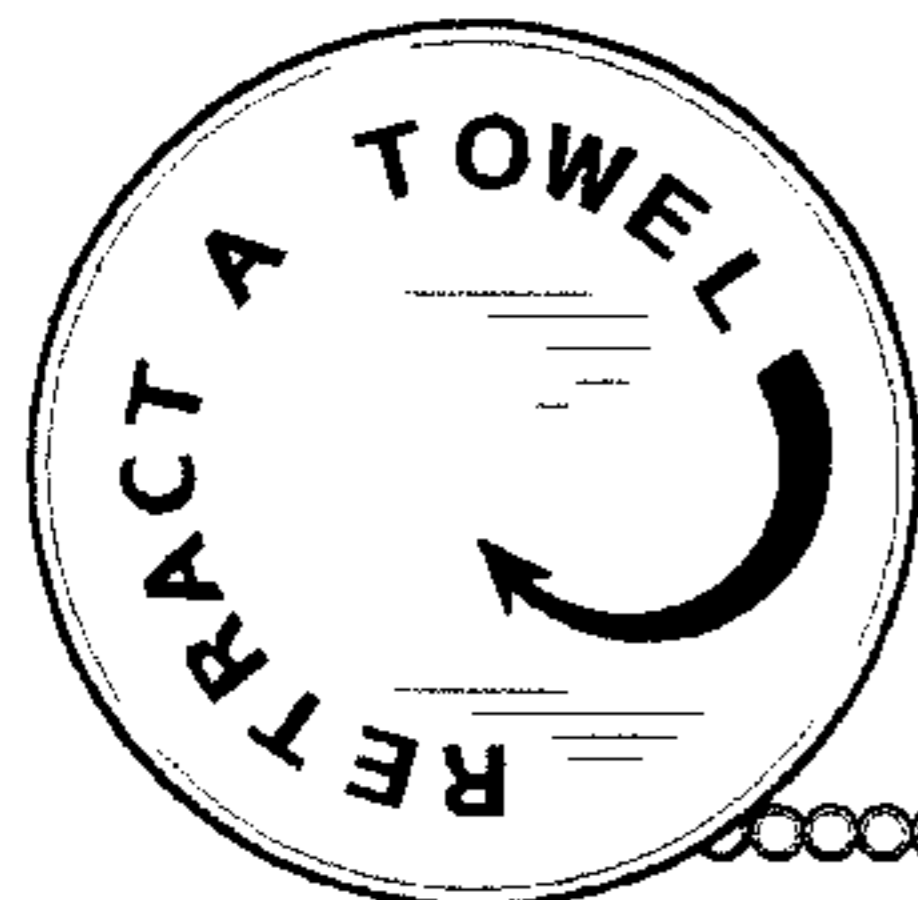
U.S. PATENT DOCUMENTS

FIG. 5 is a top plan view of the towel and retractable towel holder; and,

- 5,615,454 A * 4/1997 Contarino 24/3.13
- 5,864,925 A * 2/1999 McGee 24/3.11
- 5,933,922 A * 8/1999 Ochsman 24/3.11
- 6,256,840 B1 * 7/2001 Elliott 24/3.11
- D465,645 S * 11/2002 Lombardo et al. D3/215

FIG. 6 is a bottom plan view of the towel and retractable towel holder.

1 Claim, 5 Drawing Sheets



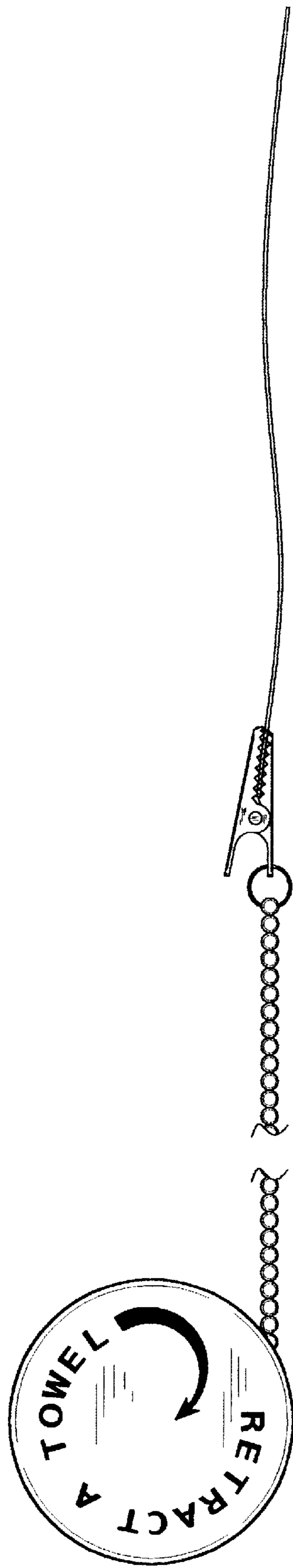


FIG. 1

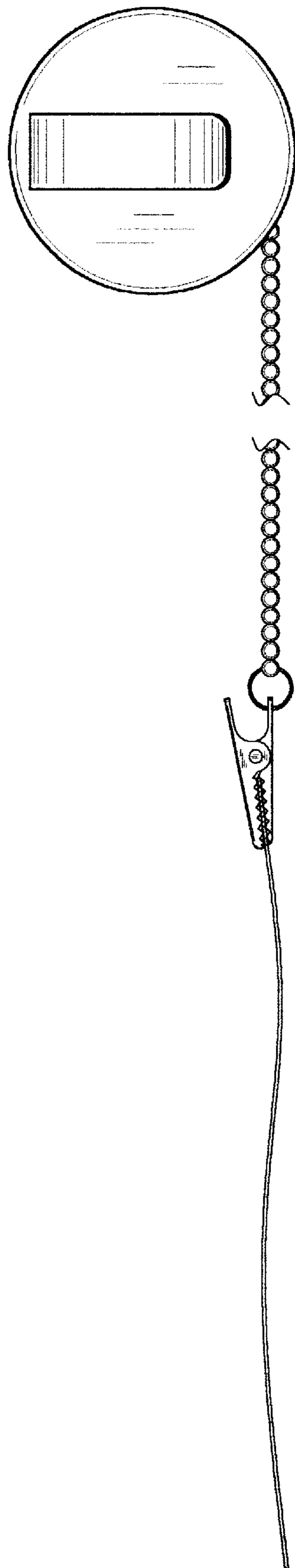


FIG. 2

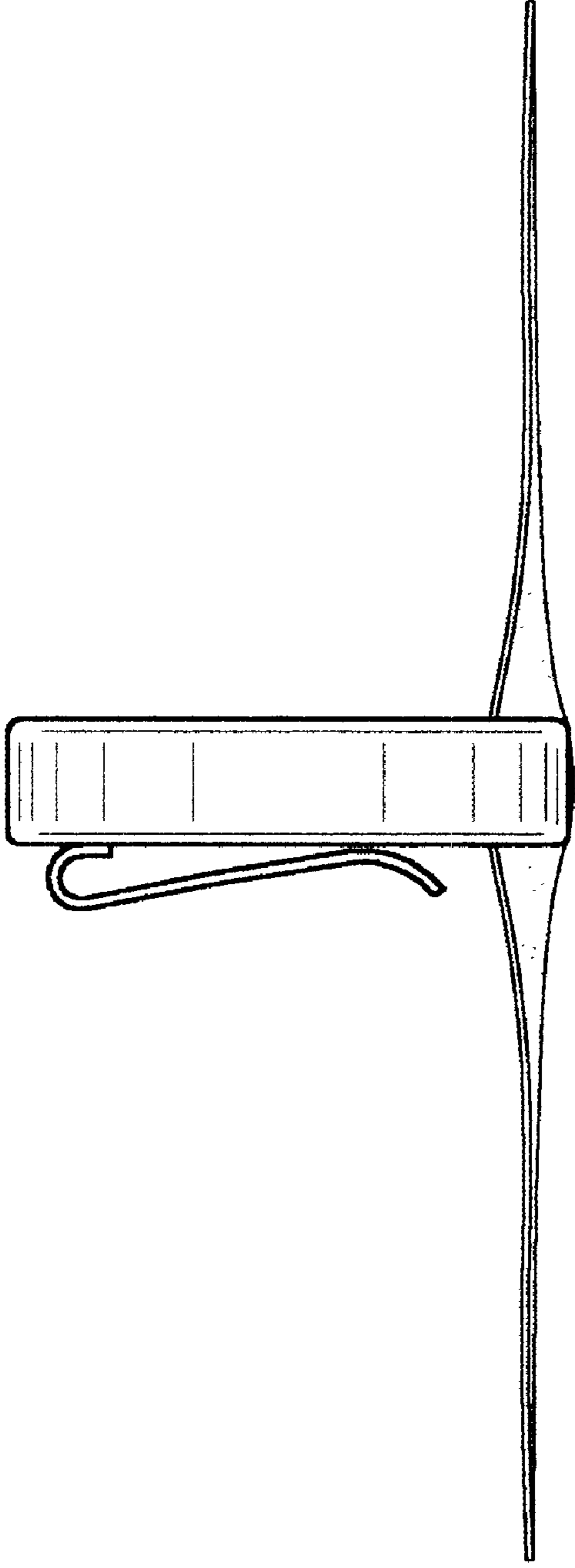


FIG. 3

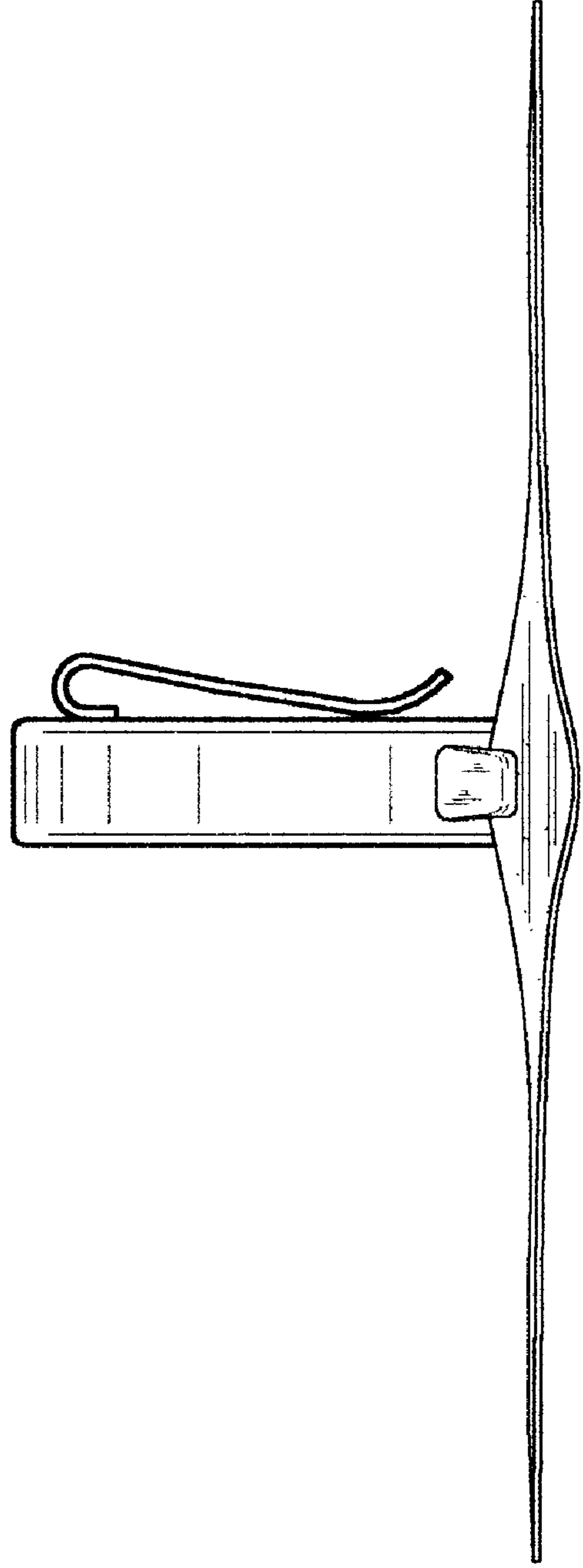


FIG. 4

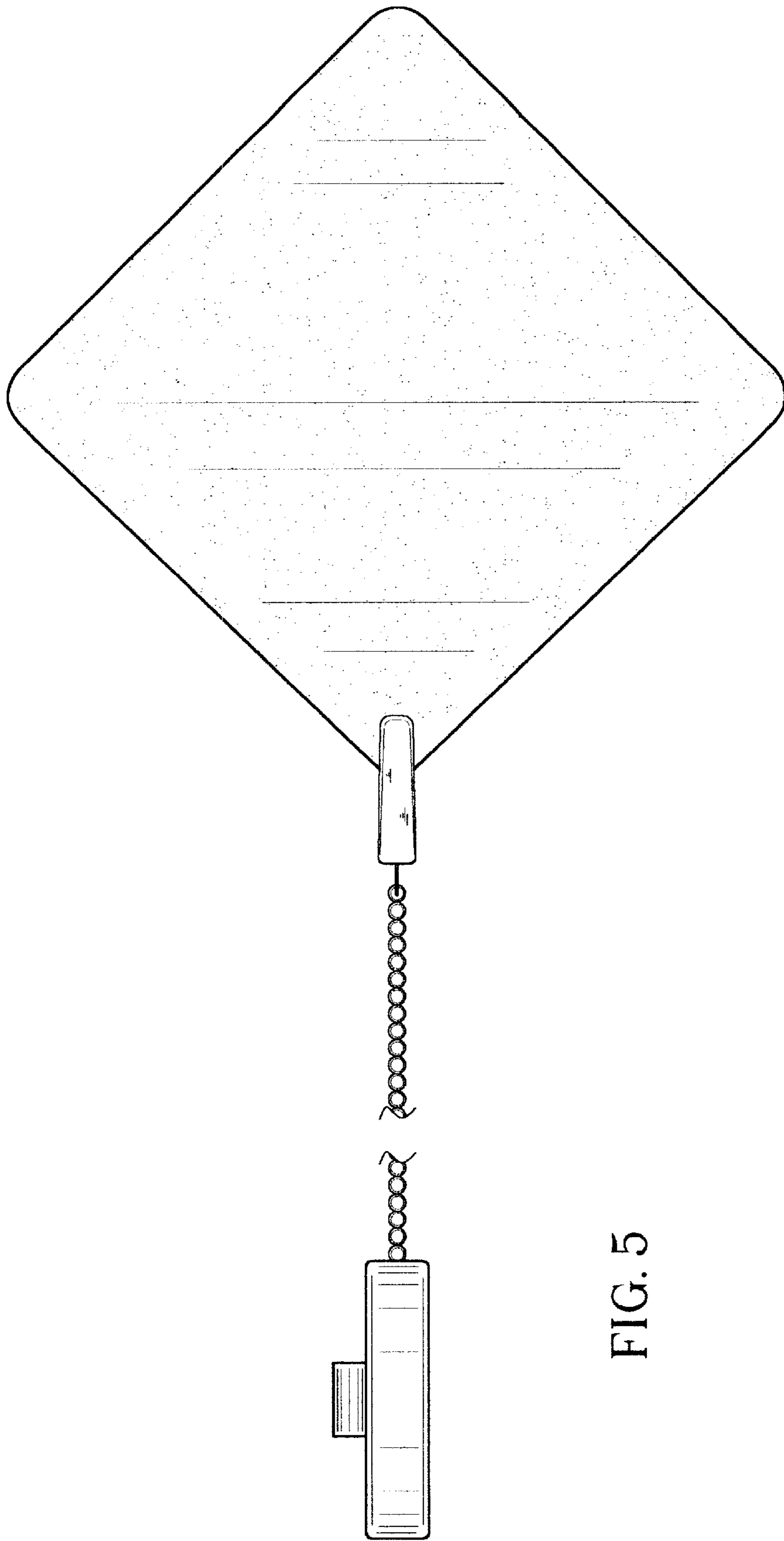


FIG. 5

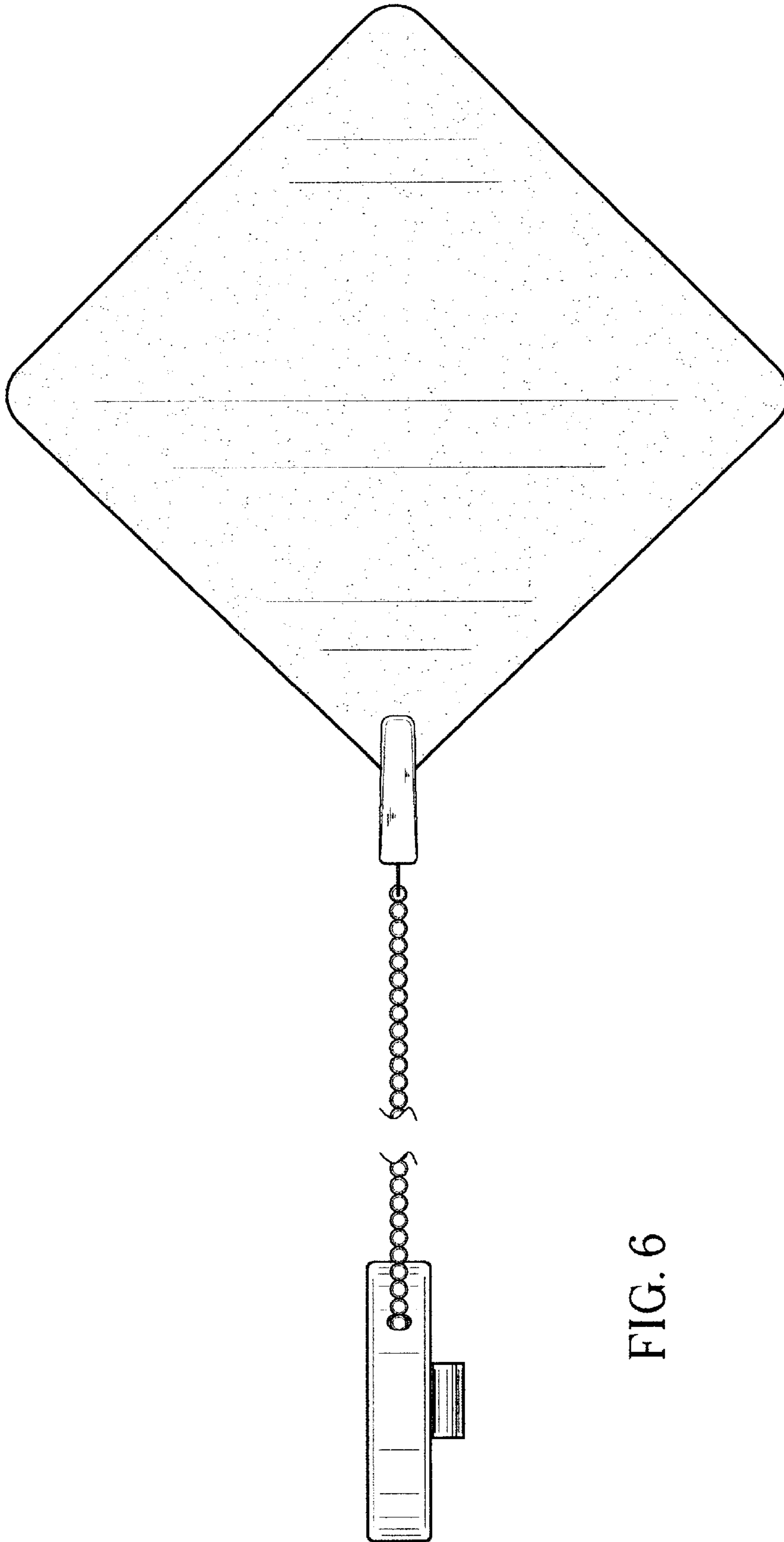


FIG. 6