



US00D478710S

(12) **United States Design Patent**
Yan

(10) **Patent No.:** **US D478,710 S**

(45) **Date of Patent:** **** Aug. 26, 2003**

(54) **REFLECTIVE CAP**

(76) **Inventor:** **Suen Ching Yan**, 17145 Margay Ave.,
Carson, CA (US) 90746

(**) **Term:** **14 Years**

(21) **Appl. No.:** **29/176,391**

(22) **Filed:** **Feb. 20, 2003**

(51) **LOC (7) Cl.** **02-03**

(52) **U.S. Cl.** **D2/882**

(58) **Field of Search** D2/865, 866, 872,
D2/873, 876, 879, 882, 893, 891; 2/171,
171.5, 175.1, 175.5, 181, 209.12, 209.13,
195.1; 359/518, 519

(56) **References Cited**

U.S. PATENT DOCUMENTS

273,074 A	2/1883	Heath	
D186,868 S	* 12/1959	Grazia	D2/882
3,172,942 A	3/1965	Berg	
3,577,561 A	* 5/1971	Oshima	359/518
3,738,299 A	6/1973	Packler et al.	112/439
4,211,813 A	7/1980	Gravisse et al.	428/263
4,365,354 A	* 12/1982	Sullivan	2/171
4,517,685 A	5/1985	Lesley	2/170
4,667,274 A	5/1987	Daniel	362/106
5,404,593 A	* 4/1995	Kronenberger	2/195.1
5,588,156 A	12/1996	Panton, Jr.	2/243.1
5,680,718 A	* 10/1997	Ratcliffe et al.	362/106
5,701,607 A	12/1997	Kaiser	2/209.13
6,007,211 A	* 12/1999	Cheung	362/103
D419,281 S	* 1/2000	Croft	D2/891
6,116,745 A	* 9/2000	Yei	362/105
6,138,279 A	* 10/2000	Gore	2/175.5
6,152,358 A	11/2000	Bryan	229/87.19
6,158,055 A	* 12/2000	Park	2/195.1
6,168,286 B1	* 1/2001	Duffy	362/106
6,174,075 B1	* 1/2001	Fuwausa	362/310
6,237,155 B1	5/2001	Seegar	2/175.1
6,247,995 B1	6/2001	Bryan	446/473
6,305,028 B1	10/2001	Lin	2/410
6,311,331 B1	* 11/2001	Park	2/195.1

D452,767 S	1/2002	Balloni	D2/882
D453,608 S	* 2/2002	Park	D2/866
D455,539 S	4/2002	Kates	D2/882
6,457,184 B1	* 10/2002	Adams	2/209.13

* cited by examiner

Primary Examiner—Doris V. Coles

Assistant Examiner—Mimosa De

(74) *Attorney, Agent, or Firm*—Cislo & Thomas LLP

(57) **CLAIM**

The ornamental design for a reflective cap, as shown and described herein.

DESCRIPTION

FIG. 1 is a front perspective view of a first embodiment of a reflective cap showing my new design;

FIG. 2 is a right side elevational view of FIG. 1, the left side view being a mirror image thereof;

FIG. 3 is a magnified view of a first reflective portion shown in FIG. 2;

FIG. 4 is a magnified view of a second reflection portion shown in FIG. 2;

FIG. 5 is a top view of FIG. 1;

FIG. 6 is a magnified view of a third reflective portion shown in FIG. 5;

FIG. 7 is a bottom view of FIG. 1;

FIG. 8 is a front view of FIG. 1;

FIG. 9 is a back view of FIG. 1;

FIG. 10 is the front perspective view of a second embodiment of a reflective cap;

FIG. 11 is a right side elevational view of FIG. 10, the left side elevational view being a mirror image thereof;

FIG. 12 is a magnified view of a first reflective portion shown in FIG. 11;

FIG. 13 is a top view of FIG. 10;

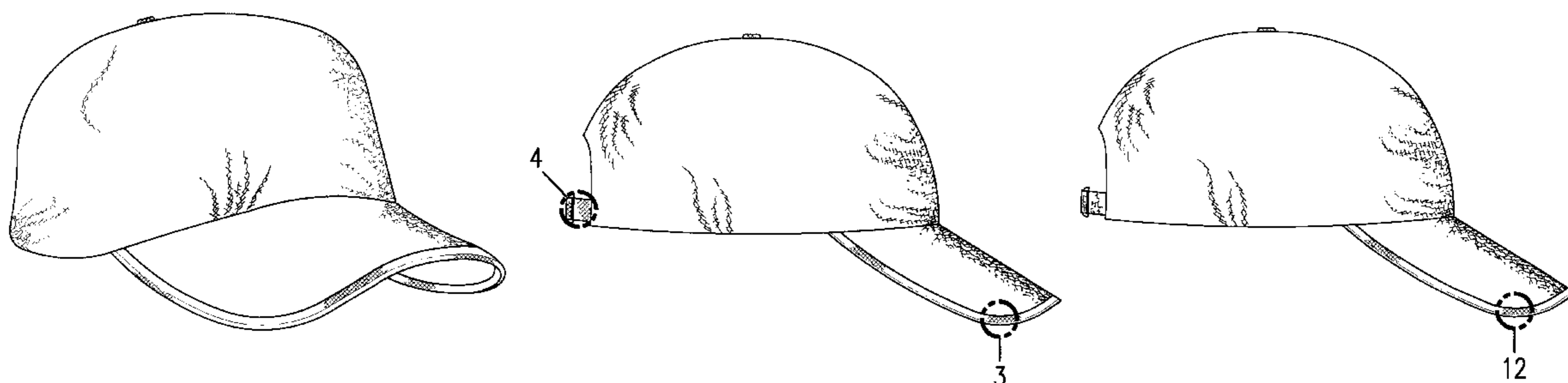
FIG. 14 is a magnified view of a second reflective portion shown in FIG. 13;

FIG. 15 is a bottom view of FIG. 10;

FIG. 16 is a front view of FIG. 10; and,

FIG. 17 is a back view of FIG. 10.

1 Claim, 6 Drawing Sheets



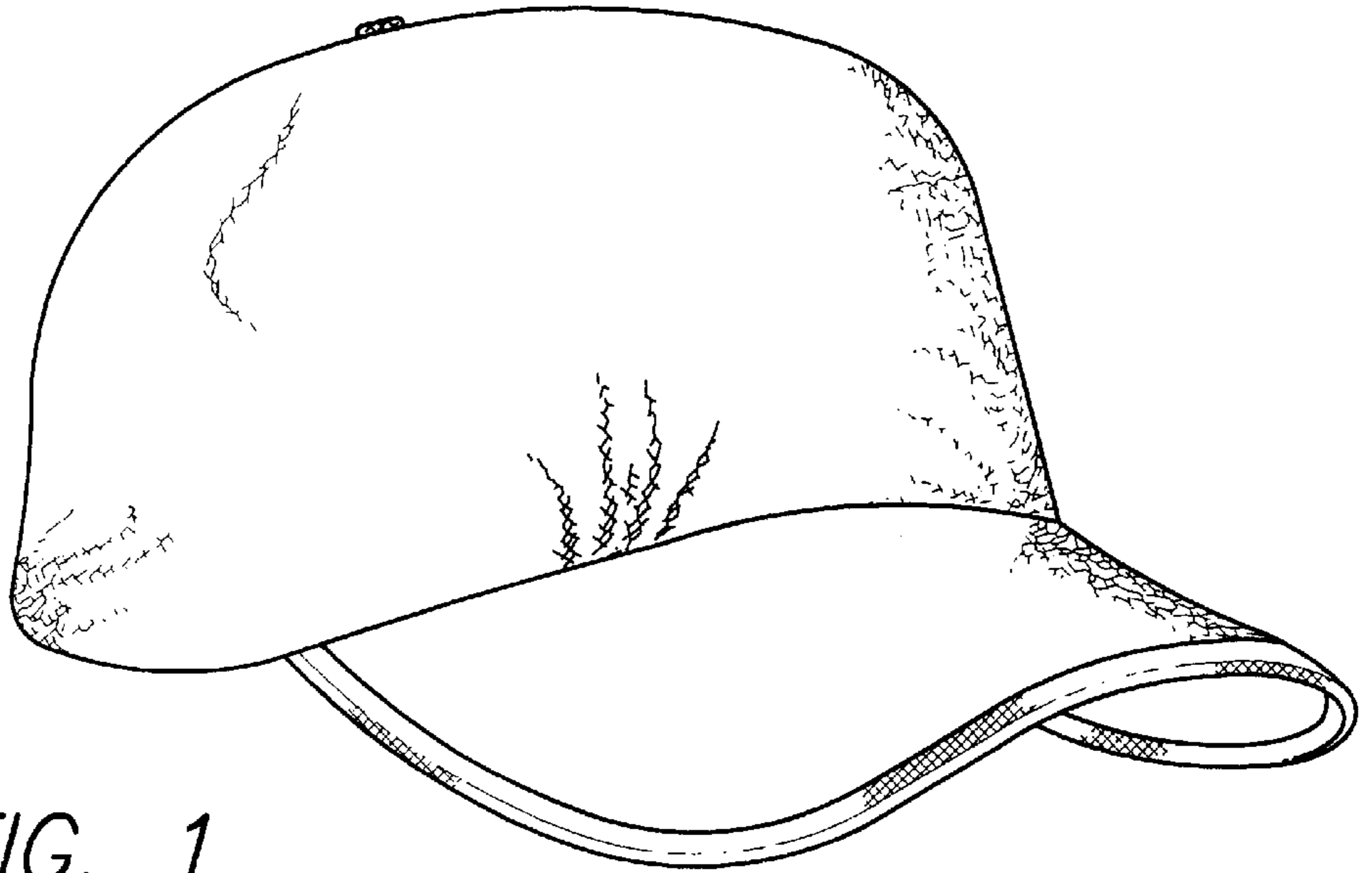


FIG. 1

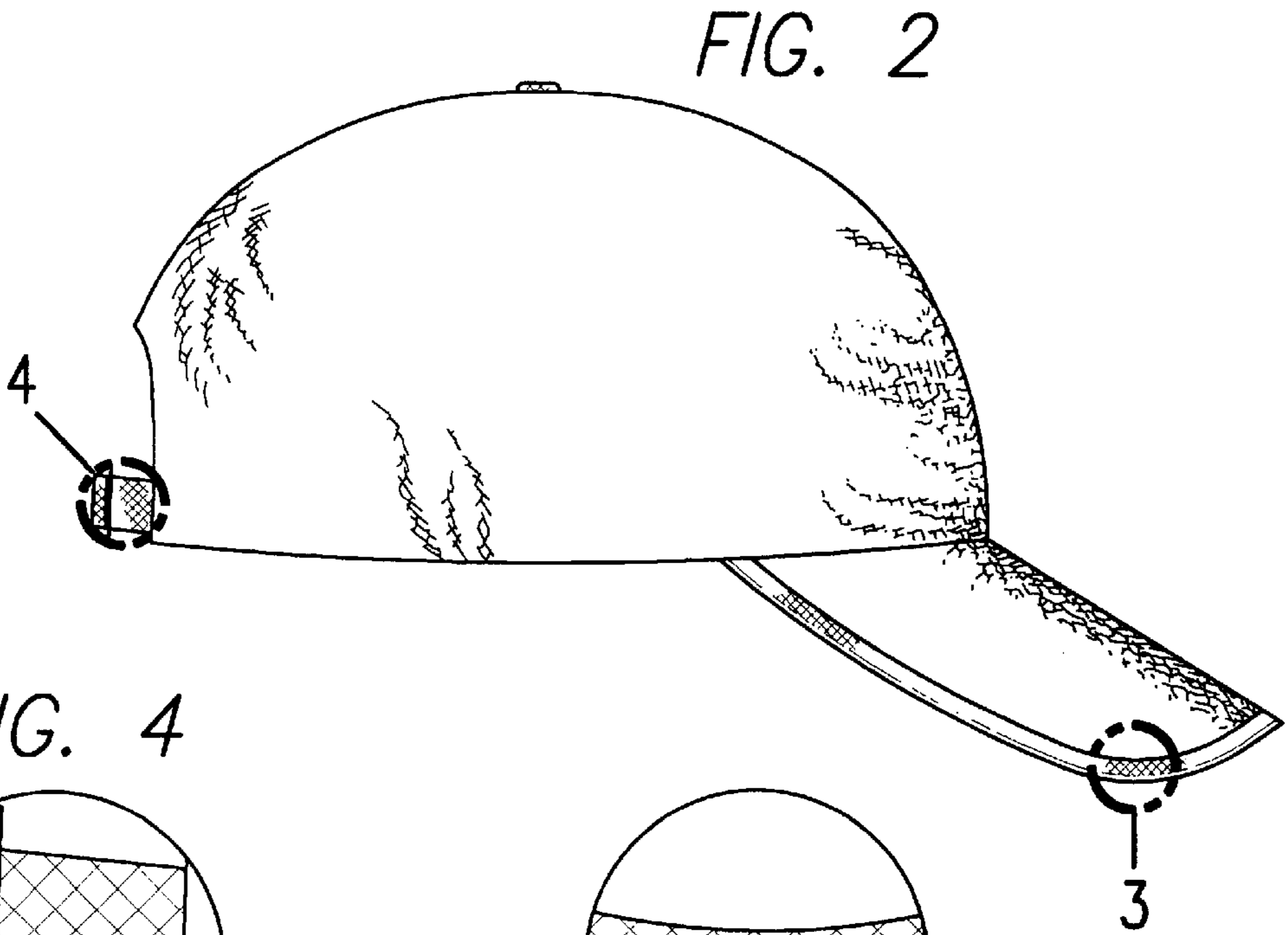


FIG. 2

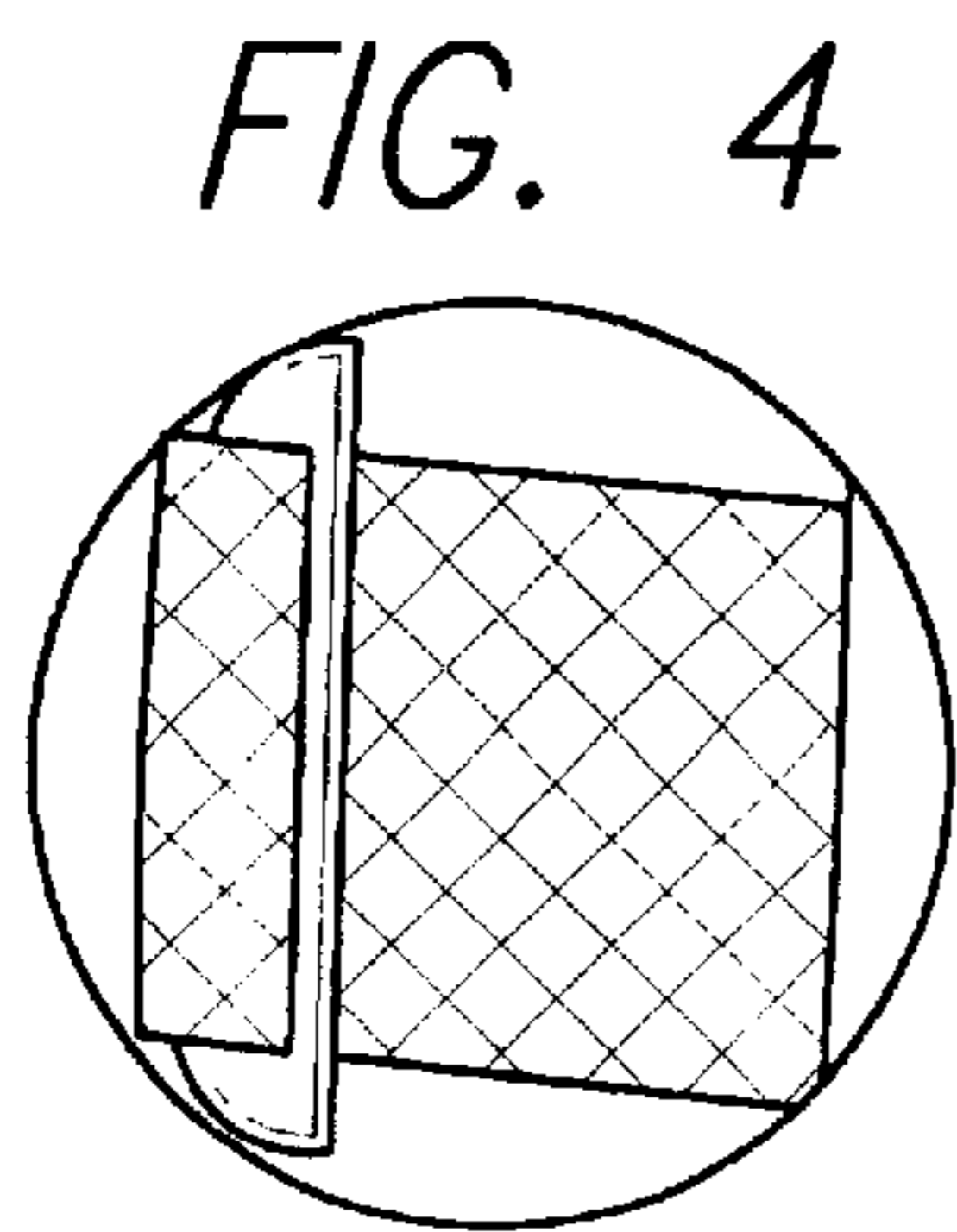


FIG. 4

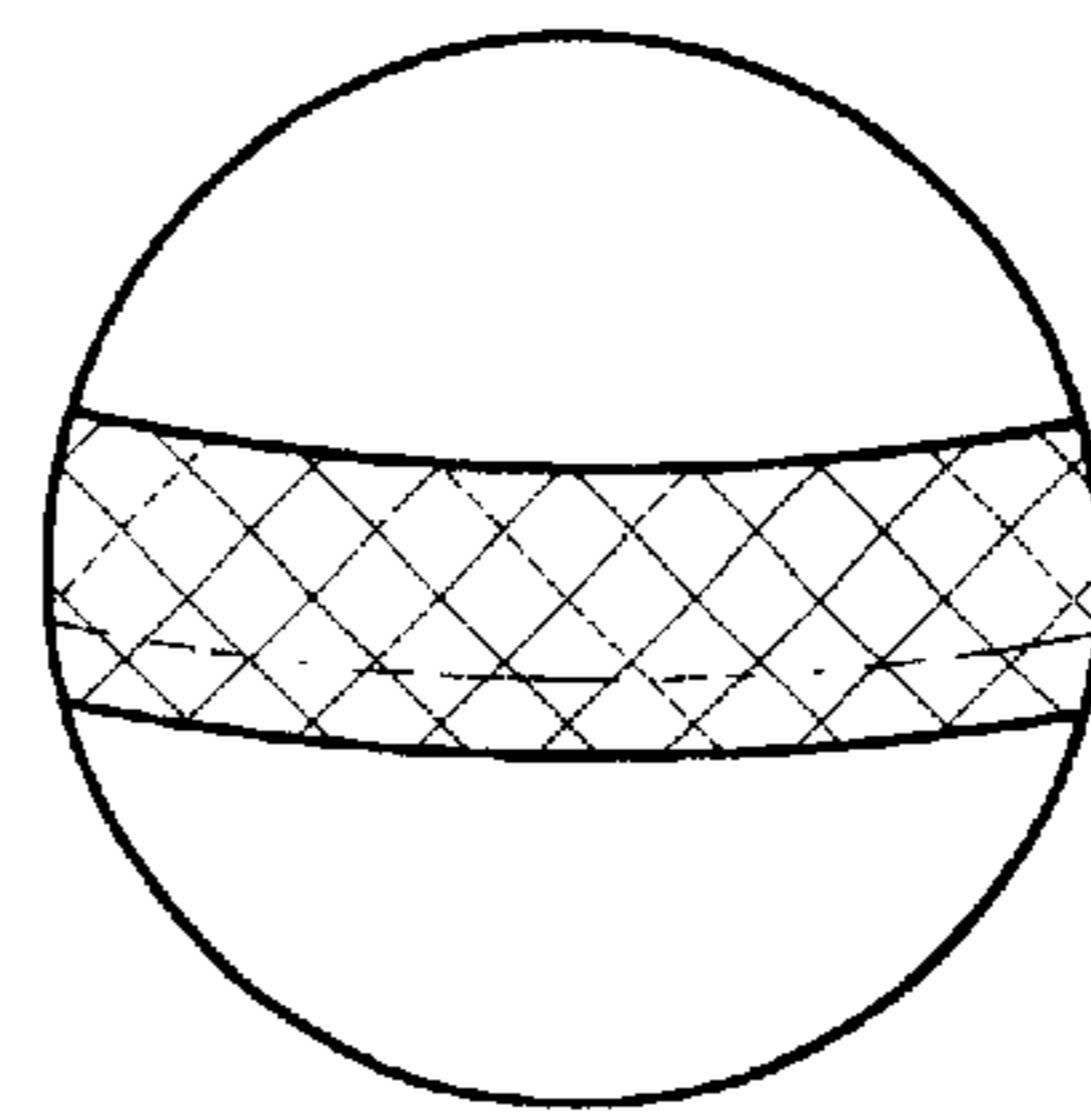


FIG. 3

FIG. 5

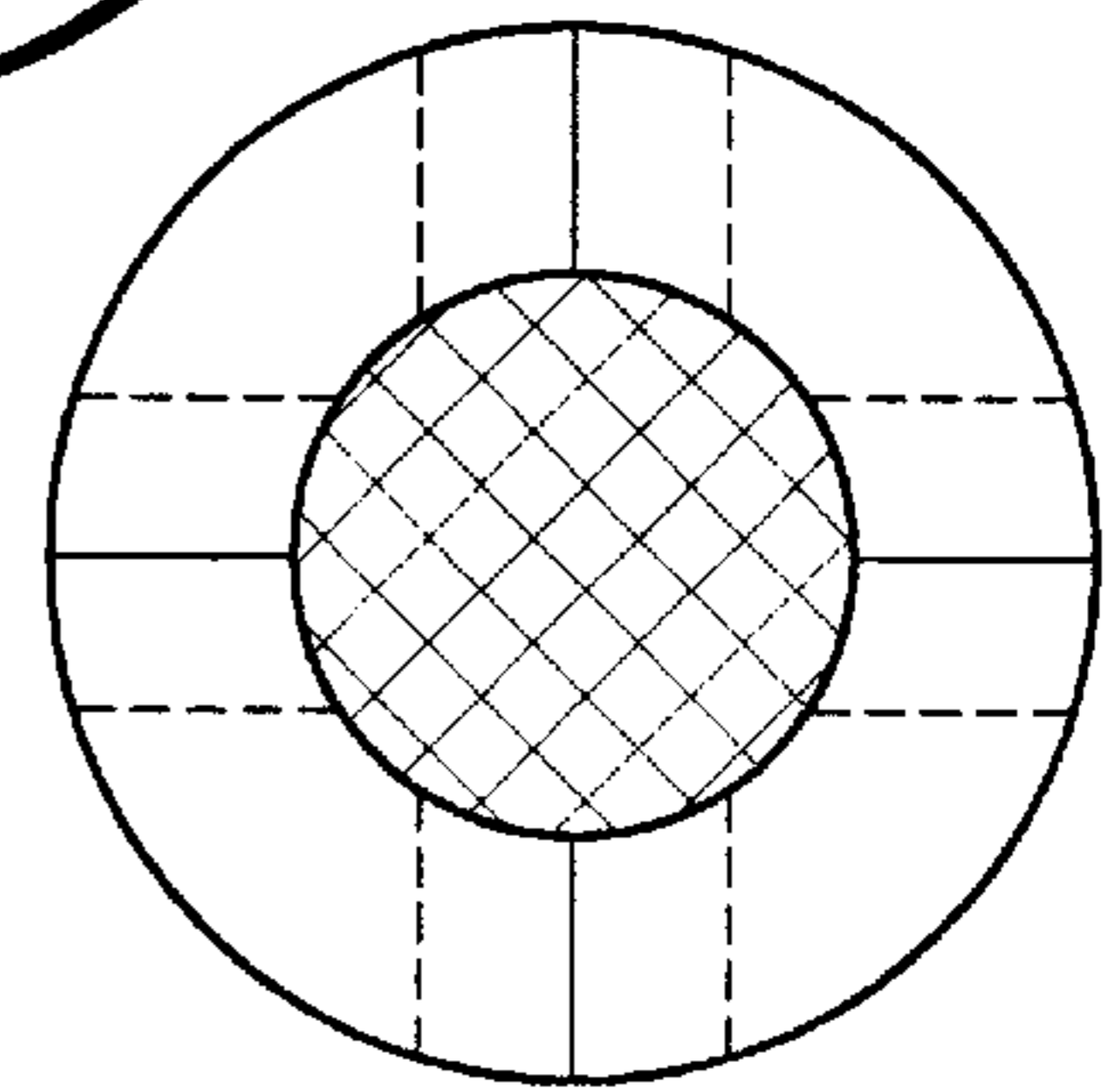
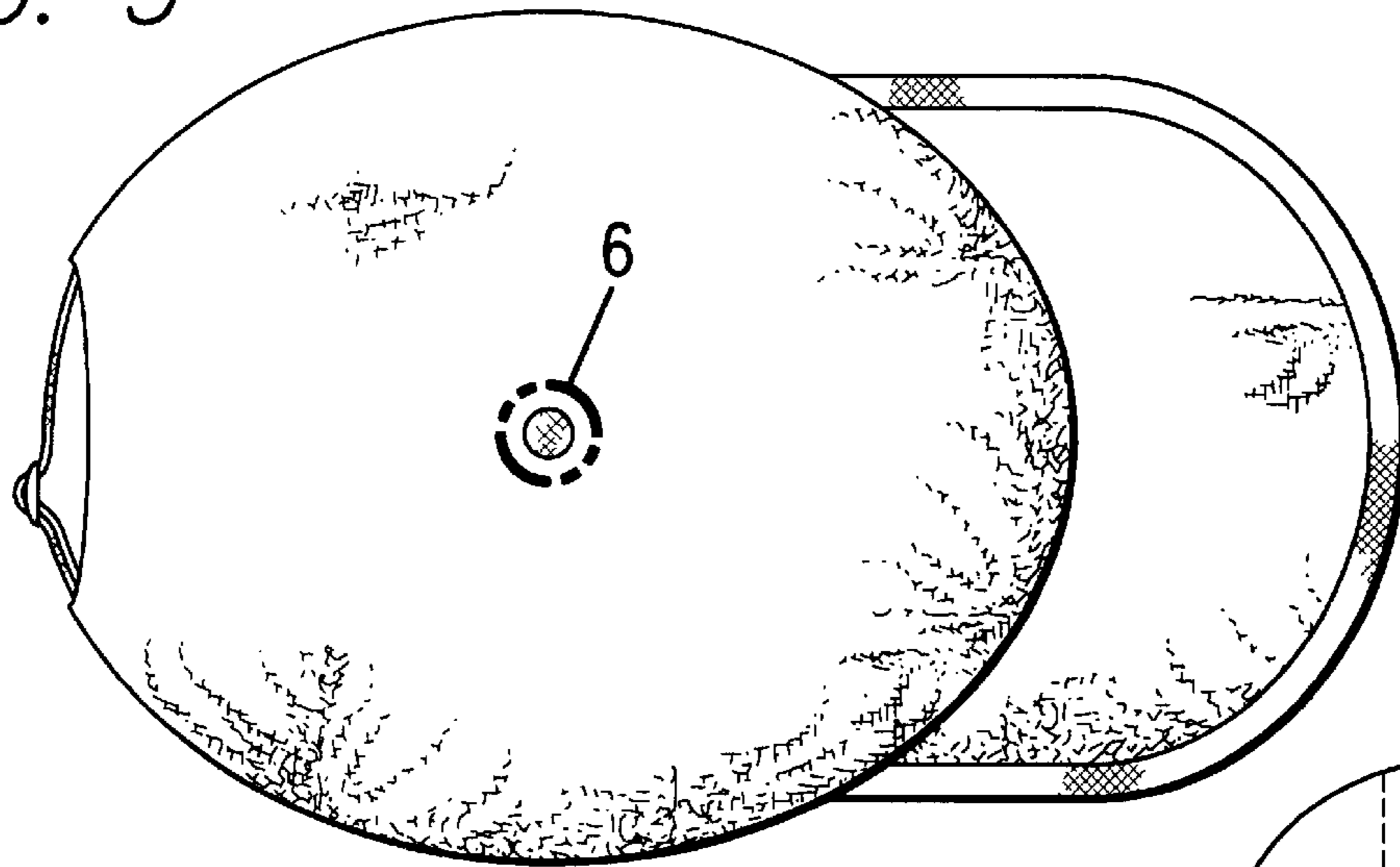
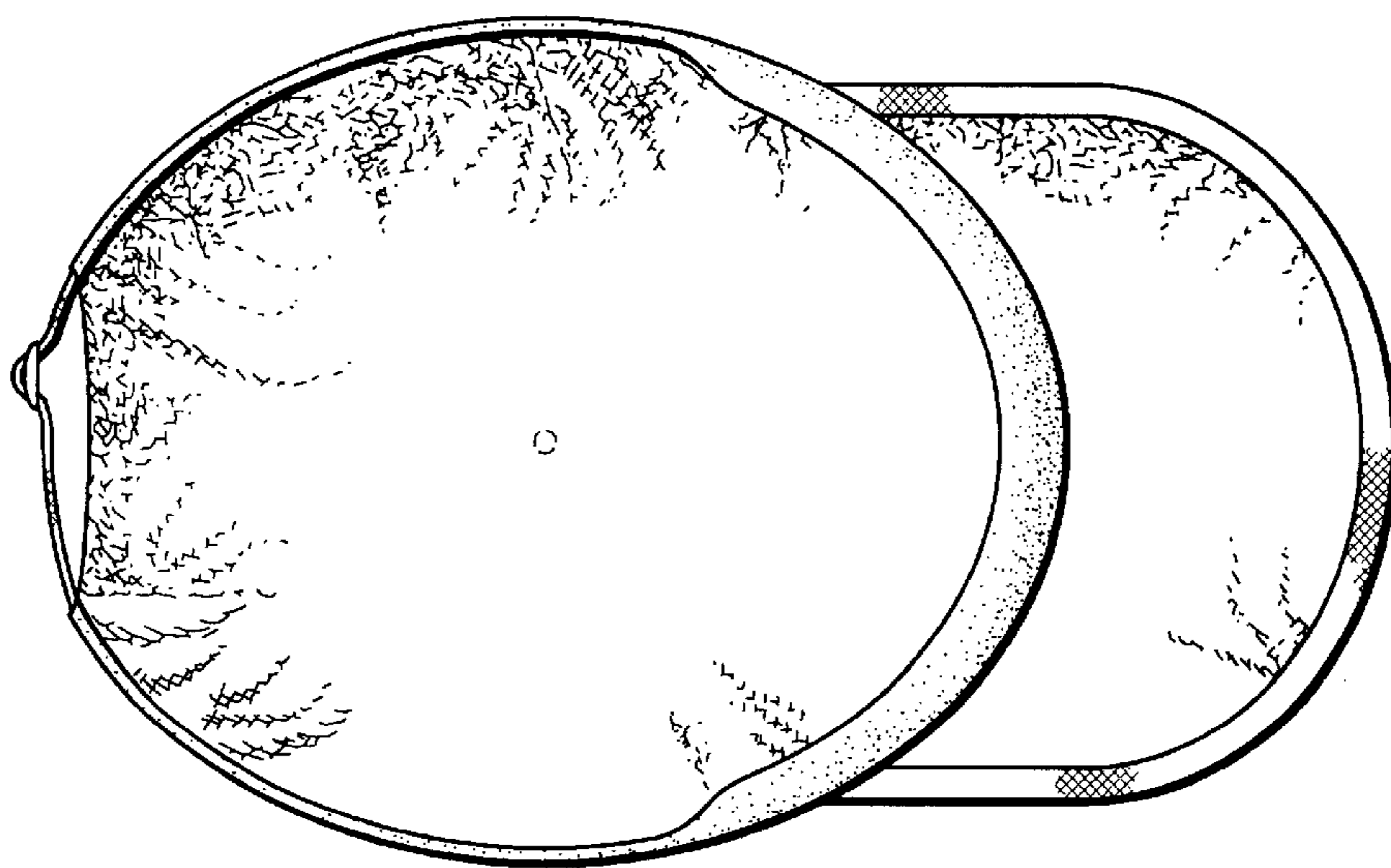


FIG. 6

FIG. 7



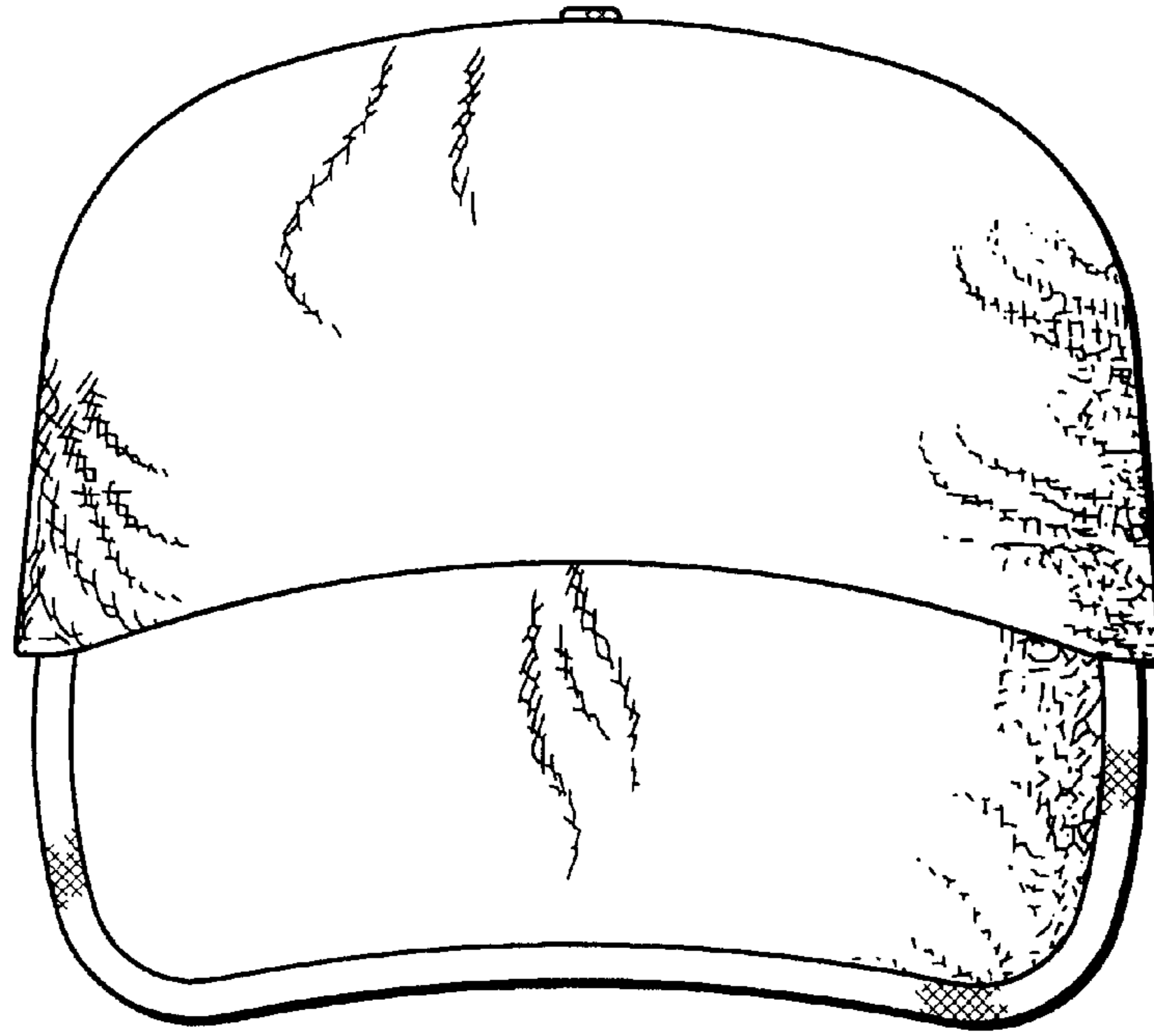


FIG. 8

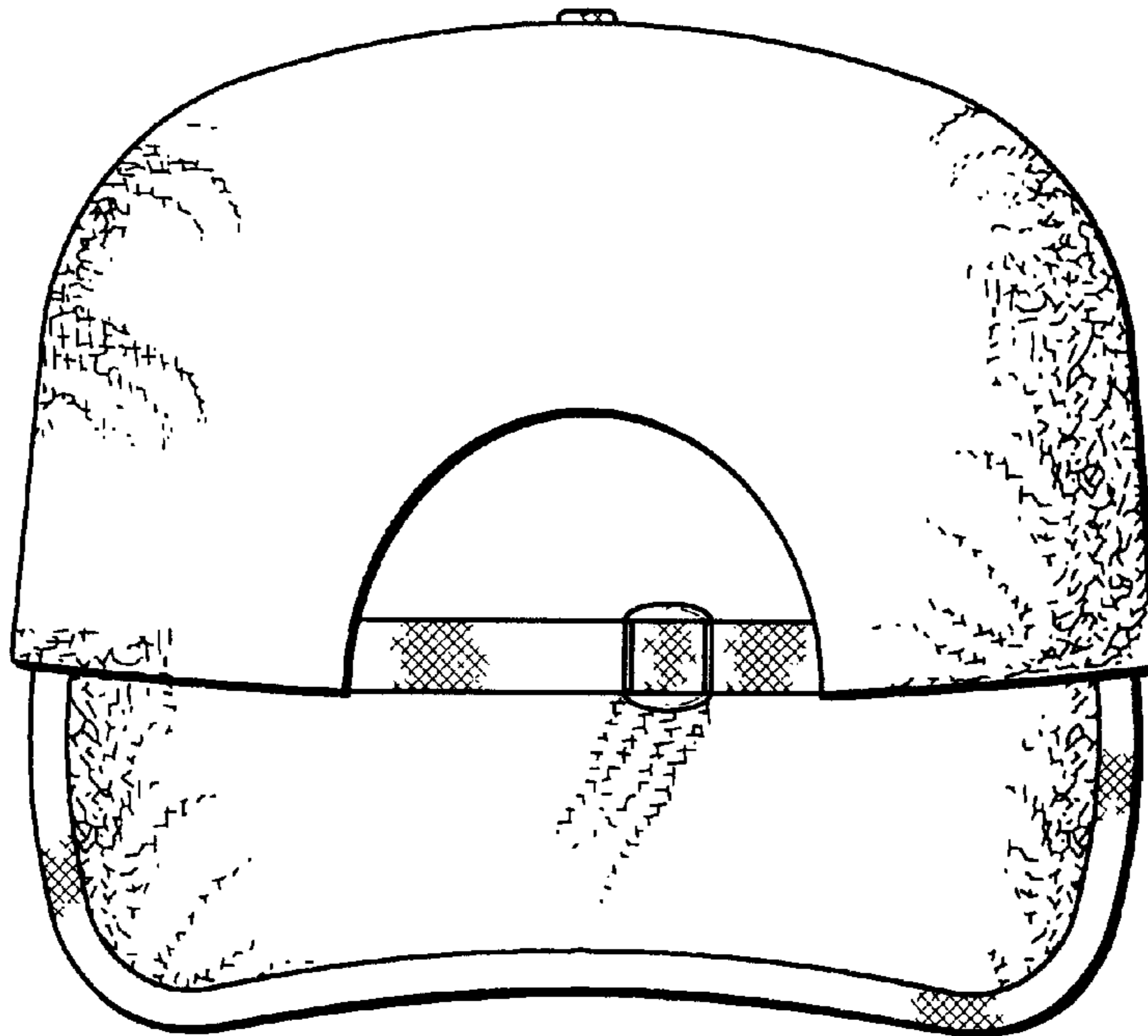


FIG. 9

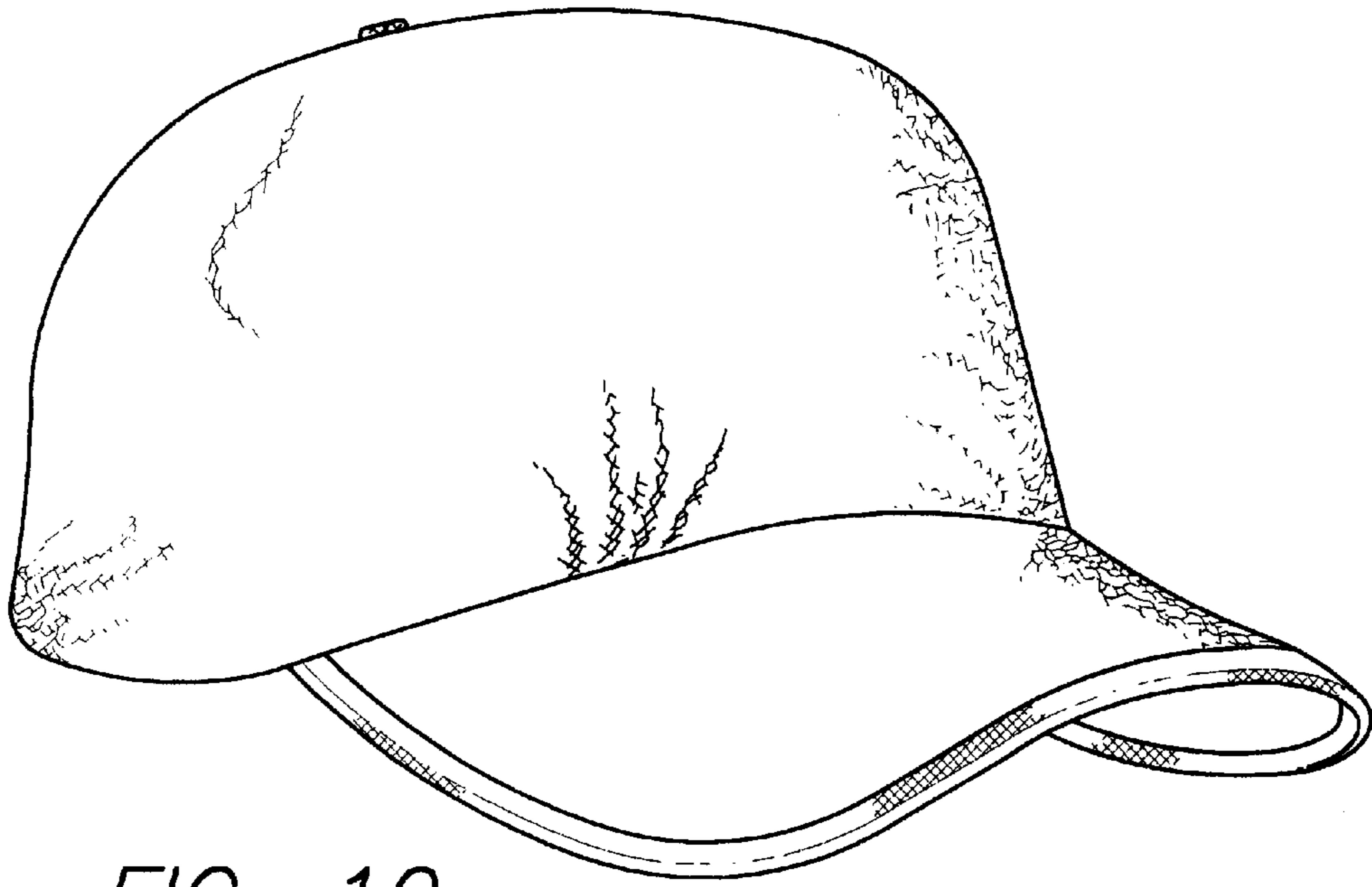


FIG. 10

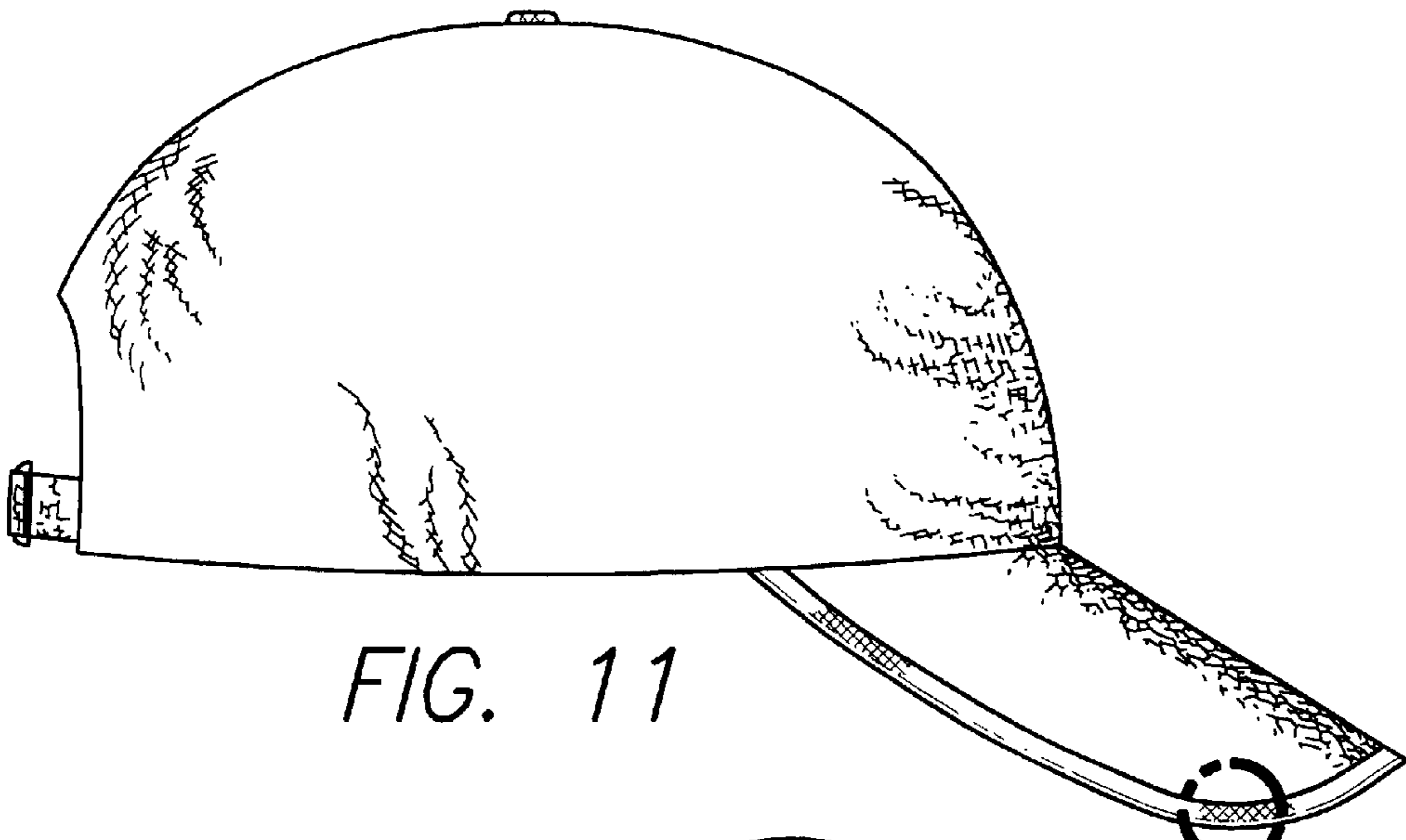
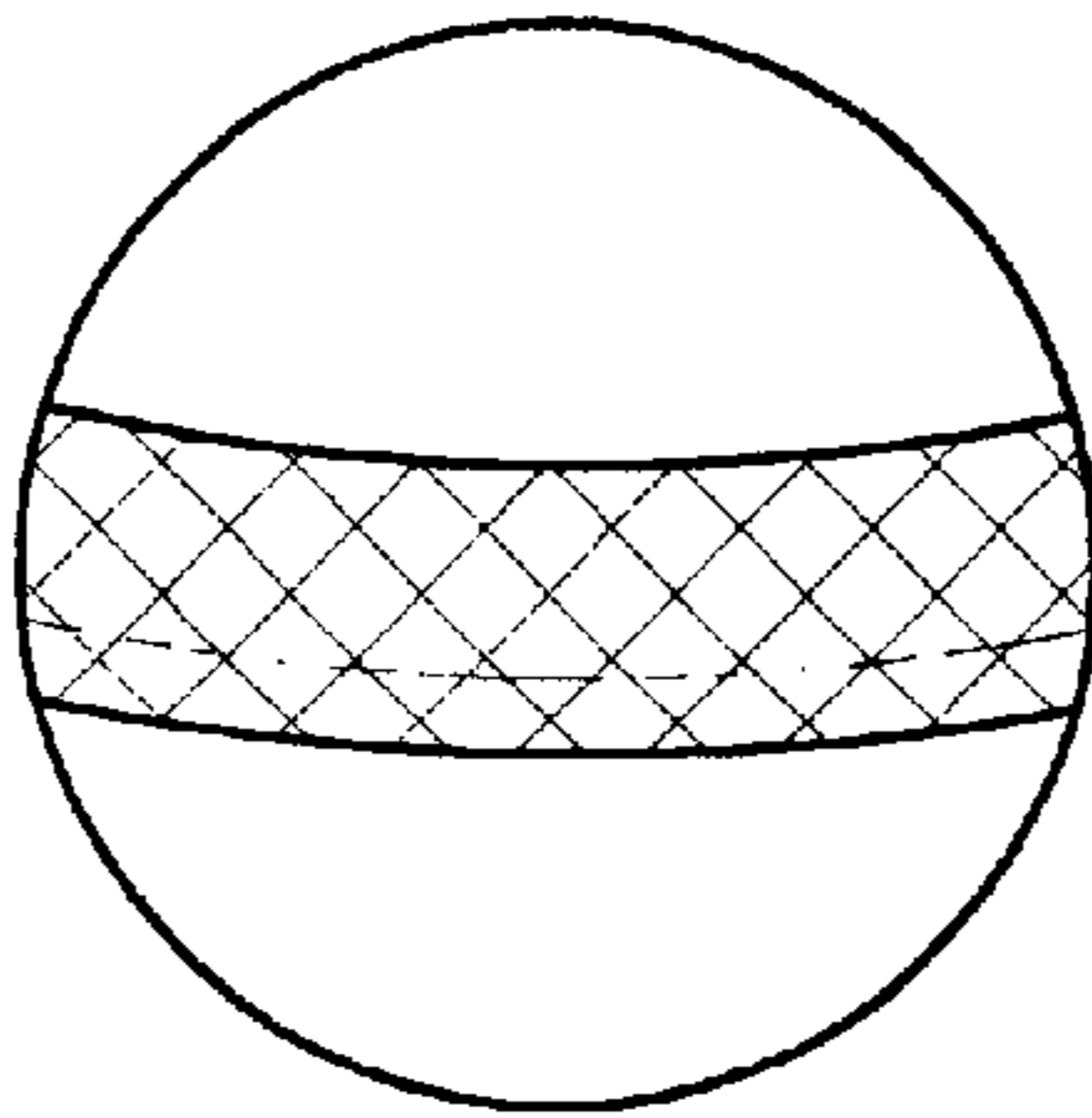


FIG. 11



12

FIG. 12

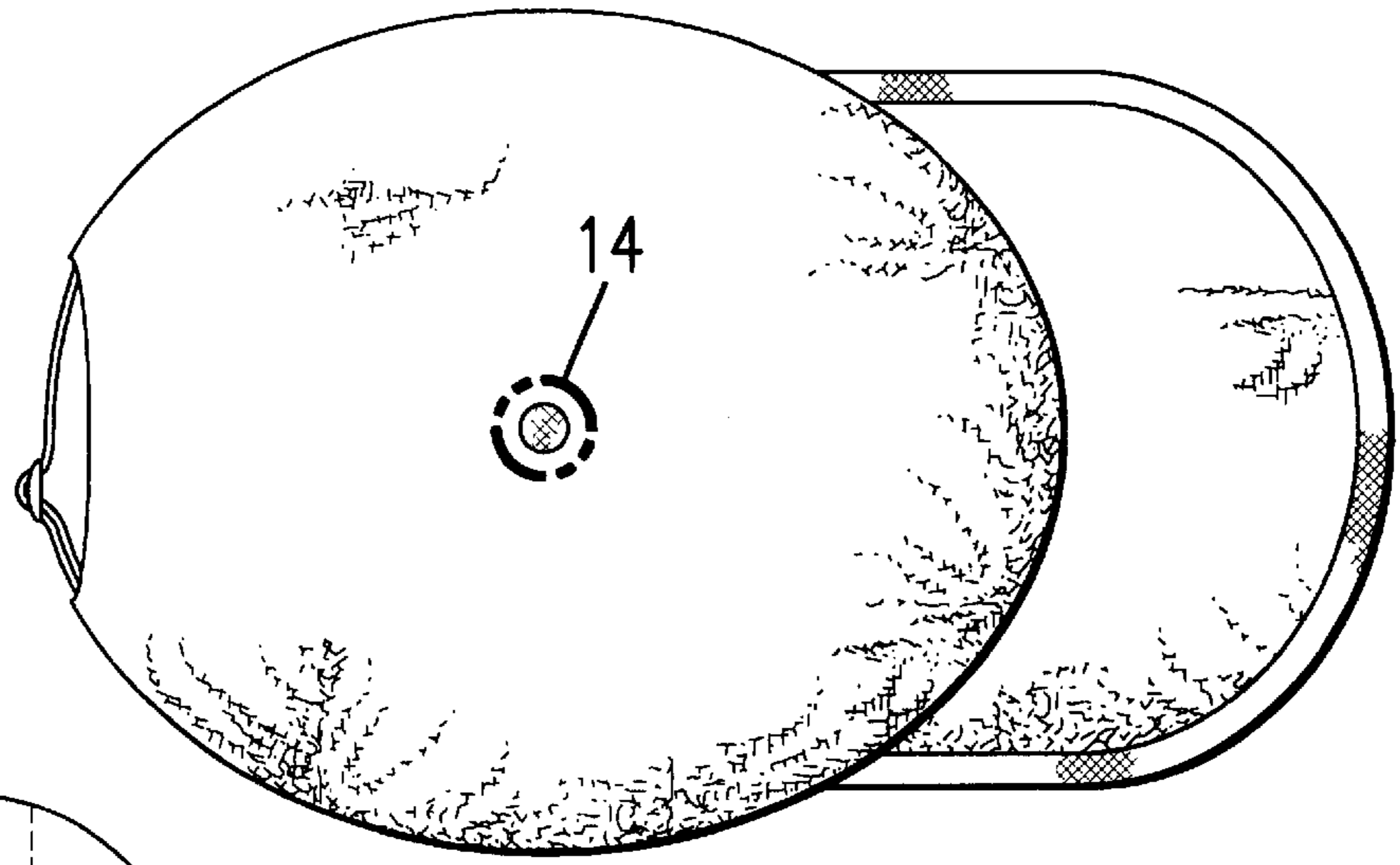


FIG. 13

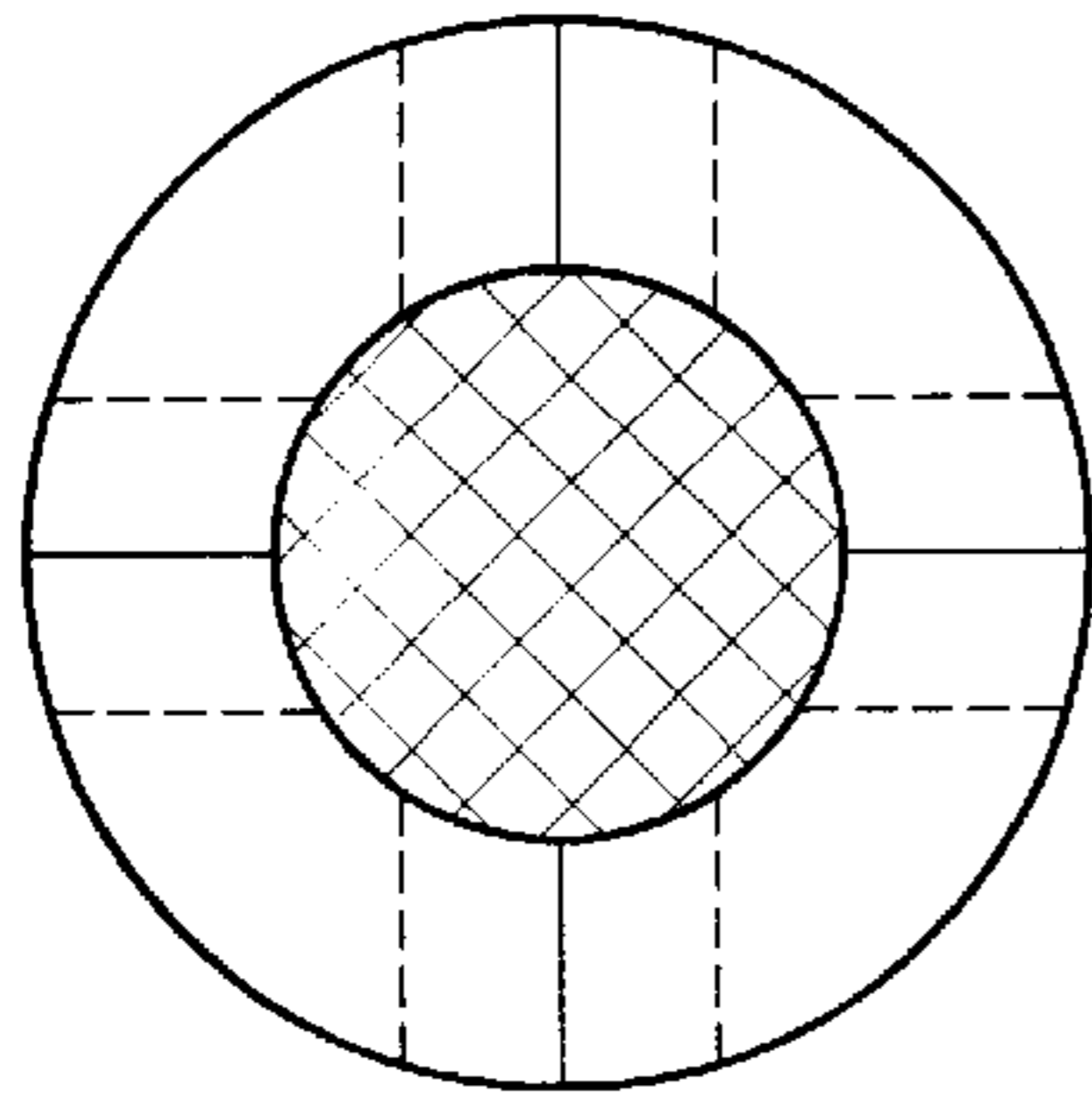


FIG. 14

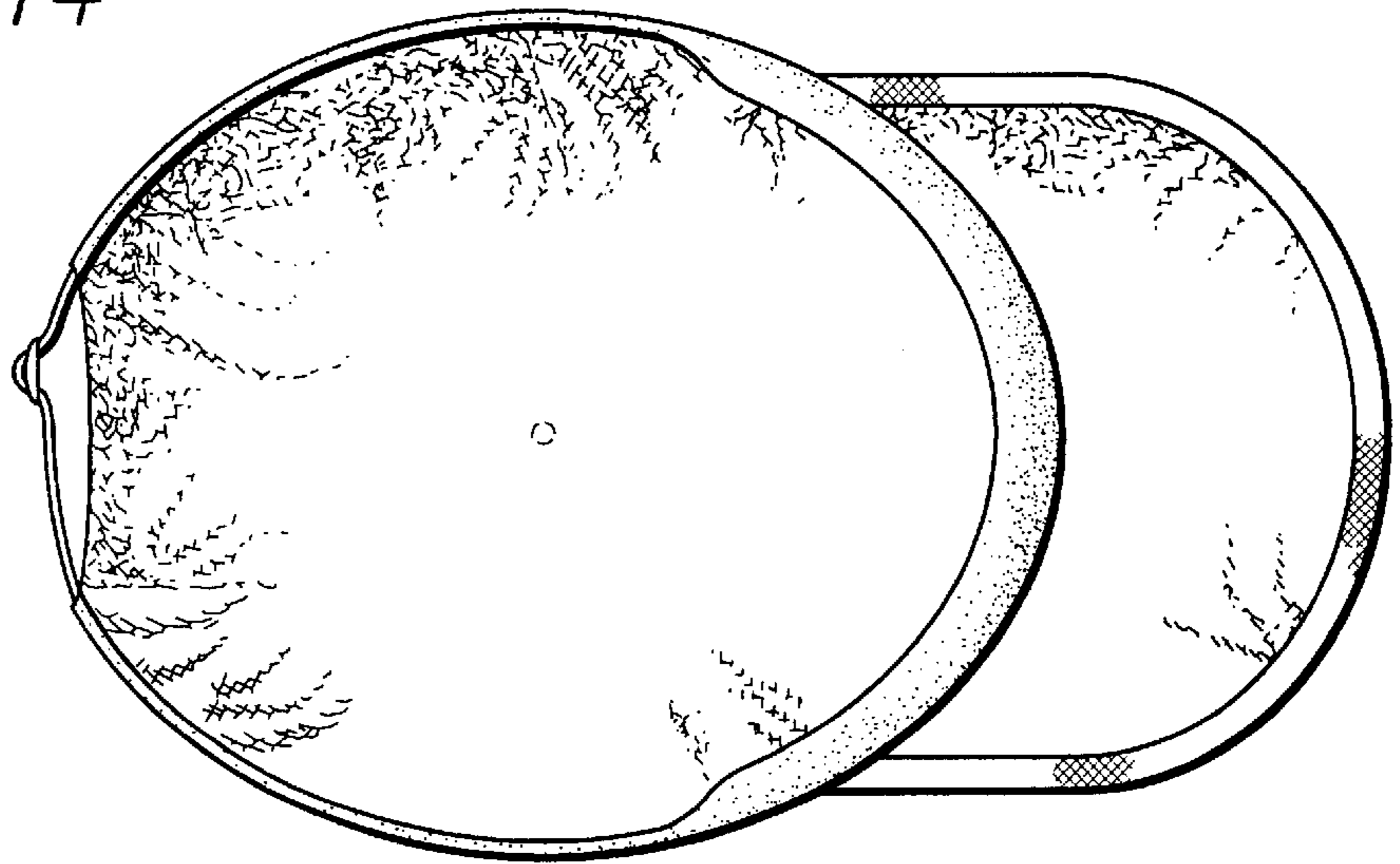


FIG. 15

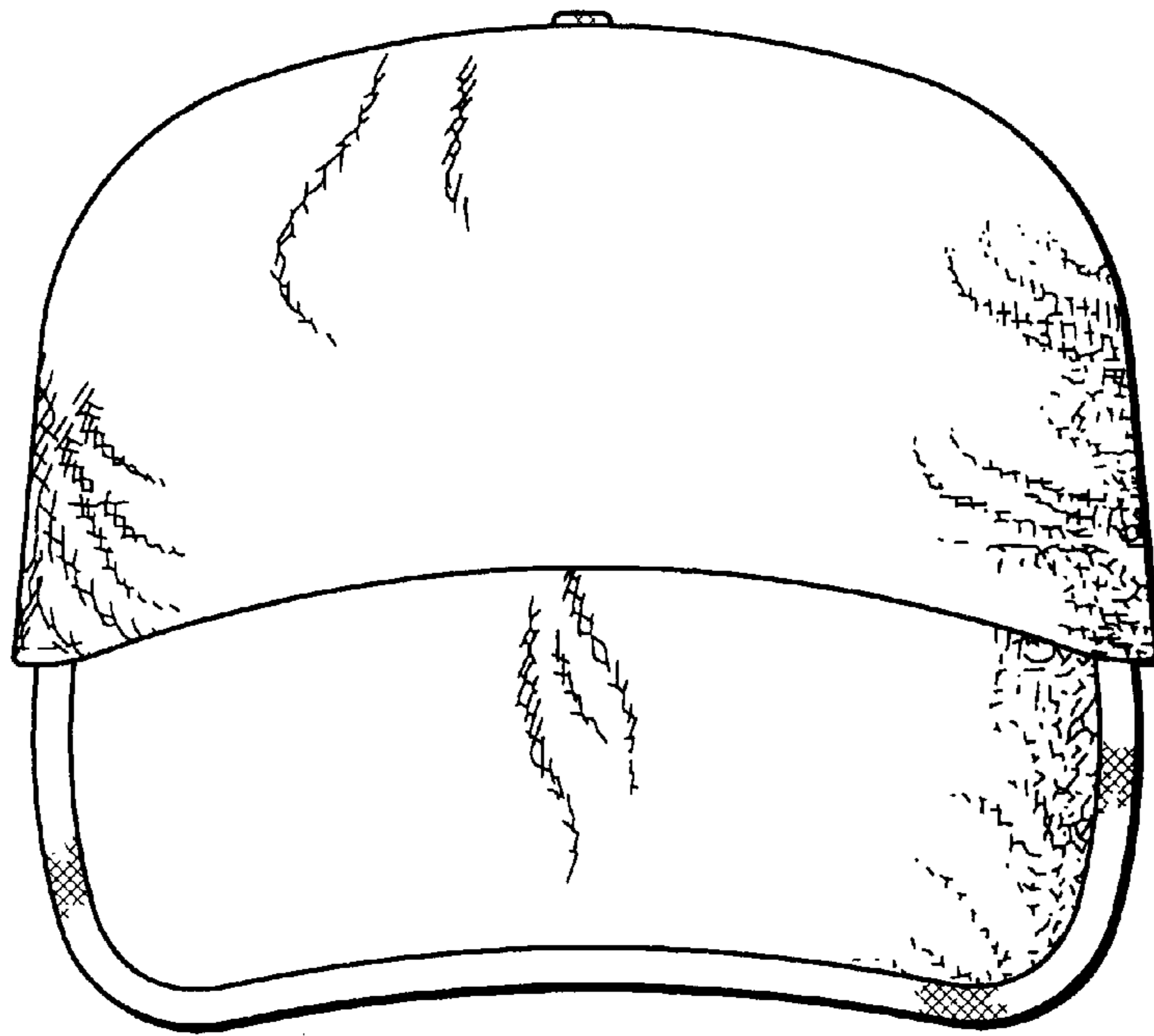


FIG. 16

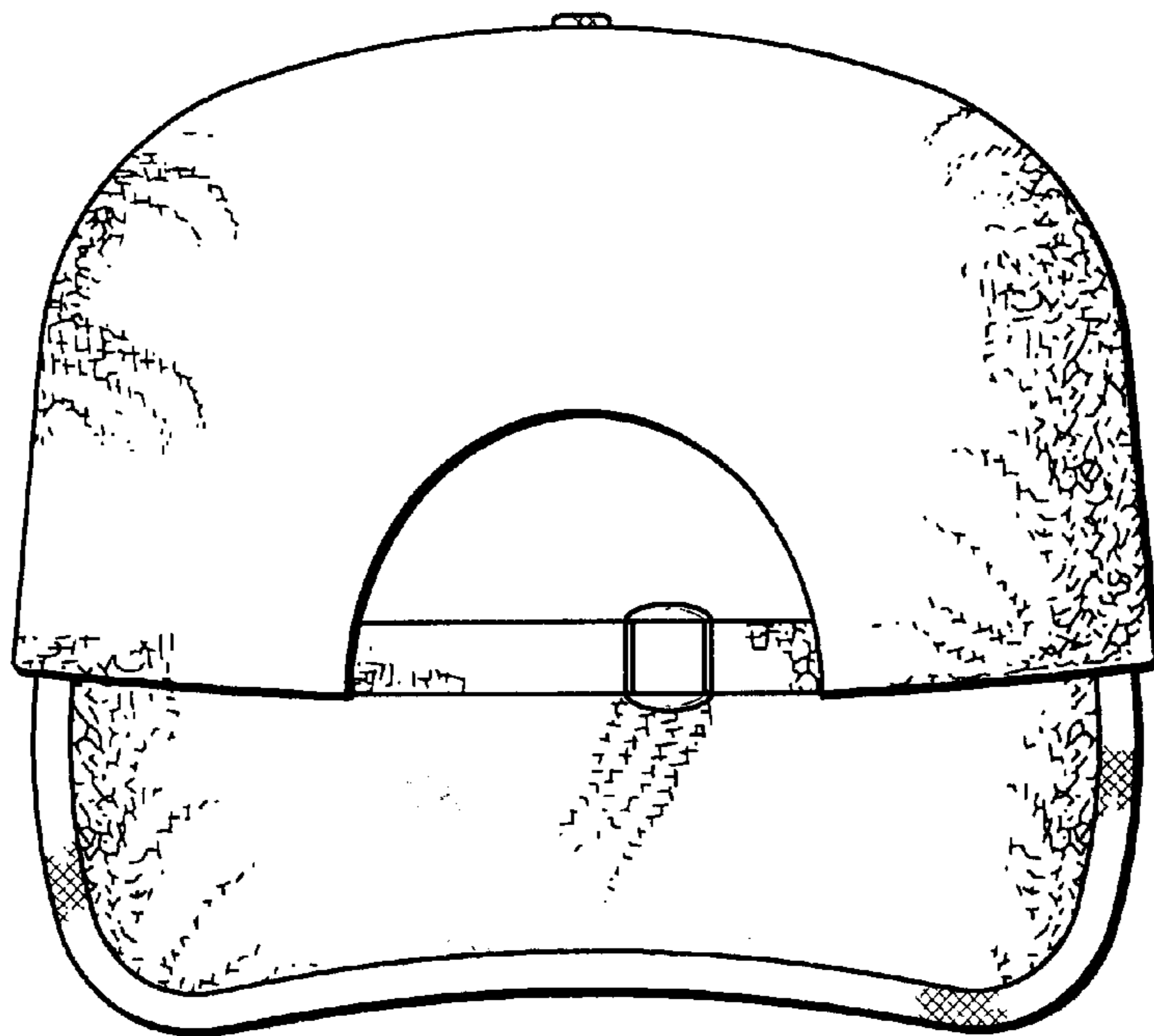


FIG. 17