



US00D478706S

(12) **United States Design Patent**  
**Cotten**

(10) **Patent No.: US D478,706 S**

(45) **Date of Patent: \*\* \*Aug. 26, 2003**

- (54) **SWIRL PATTERN CONFECTION**
- (75) Inventor: **Gerald B. Cotten**, Sparta, NJ (US)
- (73) Assignee: **Kraft Foods Holdings, Inc.**, Northfield, IL (US)
- (\* ) Notice: This patent is subject to a terminal disclaimer.
- (\*\* ) Term: **14 Years**
- (21) Appl. No.: **29/152,752**
- (22) Filed: **Dec. 28, 2001**
- (51) **LOC (7) Cl.** ..... **01-01**
- (52) **U.S. Cl.** ..... **D1/127**
- (58) **Field of Search** ..... D1/100-129, 199; 426/3-6, 89, 104, 249, 660, 383, 512, 502, 503, 516-518; D19/53; 15/424

(56) **References Cited**

**U.S. PATENT DOCUMENTS**

D168,547 S	1/1953	Ippolito
3,765,909 A	10/1973	Moline
3,853,679 A	12/1974	Ierenzoni
3,892,868 A	7/1975	Klingler
6,099,880 A	8/2000	Klacik et al.

**OTHER PUBLICATIONS**

Donna Berry, "Squeezing Swirls," *Dairy Foods*, Dec. 2001, p. 18.  
 Trans Global Trading™ Sugar Free Starlight Mints, © 1999, shown and described on pp. 1 and 2 from: <URL: <http://transglobaltrading.com/item.cfm?SupplierID=5&ProductID=422>, retrieved from the Internet Oct. 11, 2002.

The Quilt Square Foundation Piercing Patterns, Peppermint Candy quilt pattern, © 1997, shown and described on pp. 2 and 3 from: <URL: <http://members.aol.com/heart2hnd/Dec.html>, retrieved from the Internet on Oct. 11, 2002.  
 CraftMall—USA Newsletter #3, Dec. 1998, red striped peppermint candy shown and described on pp. 5 and 6, from URL: <<http://craftmallusa.com/newsletters/1298>, retrieved from the Internet on Oct. 16, 2002.  
 Fields, Debbie. Ms. Fields ® Best Ever Cookie Book!. Virginia, Time ® -Life Books, © 1997. chocolate shortbread recipe and illustration on p. 177.  
 Copy of 10.5 oz. Nabisco, Inc. bag package (undated) for LifeSavers® Creme Savers® Hard Candy showing hard candy with swirl design, with copy of US PTO online abstract for U.S. Trademark Registration No. 2,255,941 for the word mark Creme Savers for candy indicating a first use in commerce of Aug. 17, 1998.

*Primary Examiner*—Alan P. Douglas  
*Assistant Examiner*—Linda Brooks  
 (74) *Attorney, Agent, or Firm*—Hollander Law Firm, P.L.C.

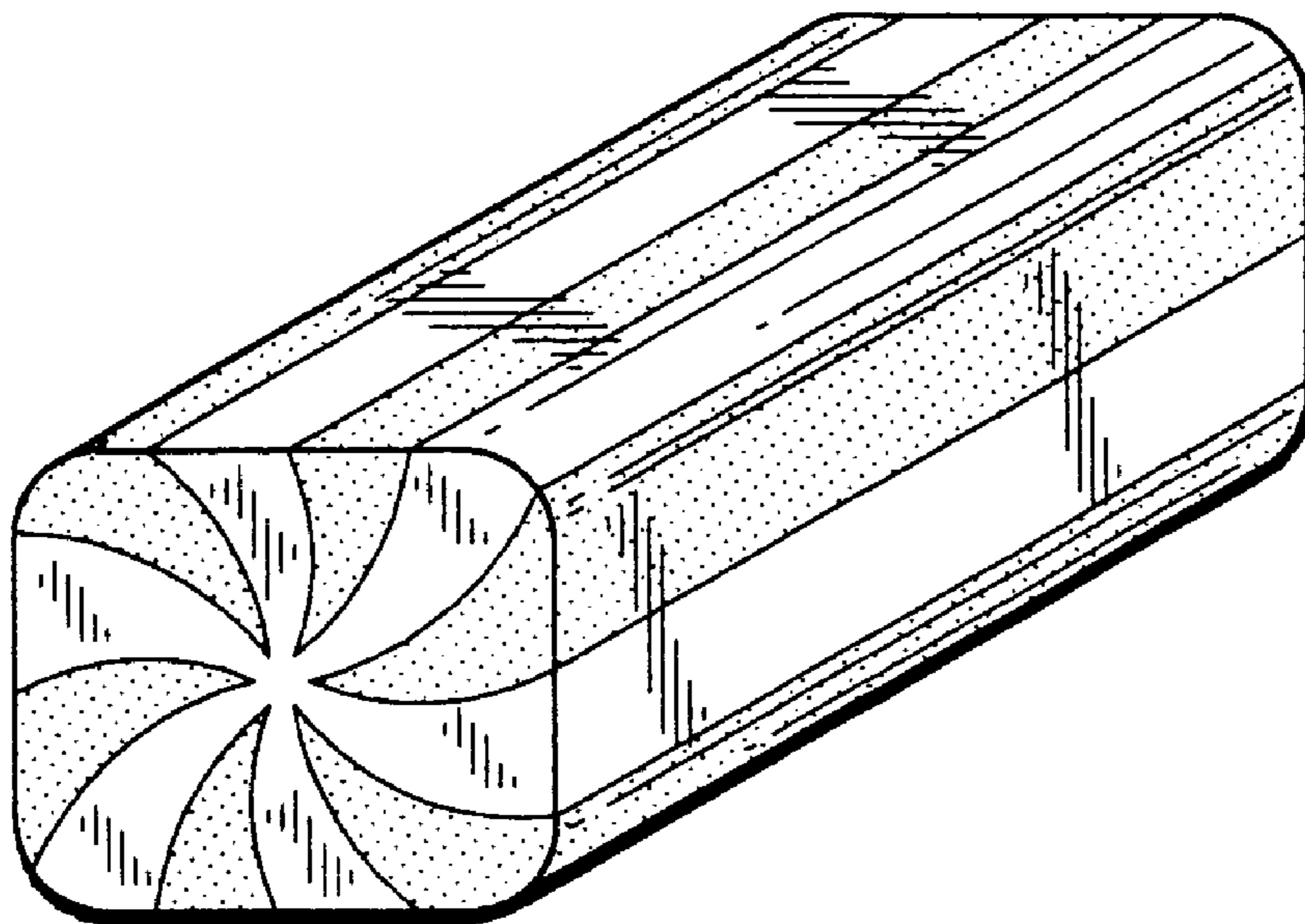
(57) **CLAIM**

The ornamental design for a swirl pattern confection, as shown and described.

**DESCRIPTION**

FIG. 1 is a perspective view of a swirl pattern confection, showing my design.  
 FIG. 2 is a front elevational view thereof.  
 FIG. 3 is a top plan view thereof.  
 FIG. 4 is a left side elevational view thereof.  
 FIG. 5 is a bottom plan view thereof.  
 FIG. 6 is a right elevational view thereof; and,  
 FIG. 7 is a rear elevational view thereof.

**1 Claim, 1 Drawing Sheet**



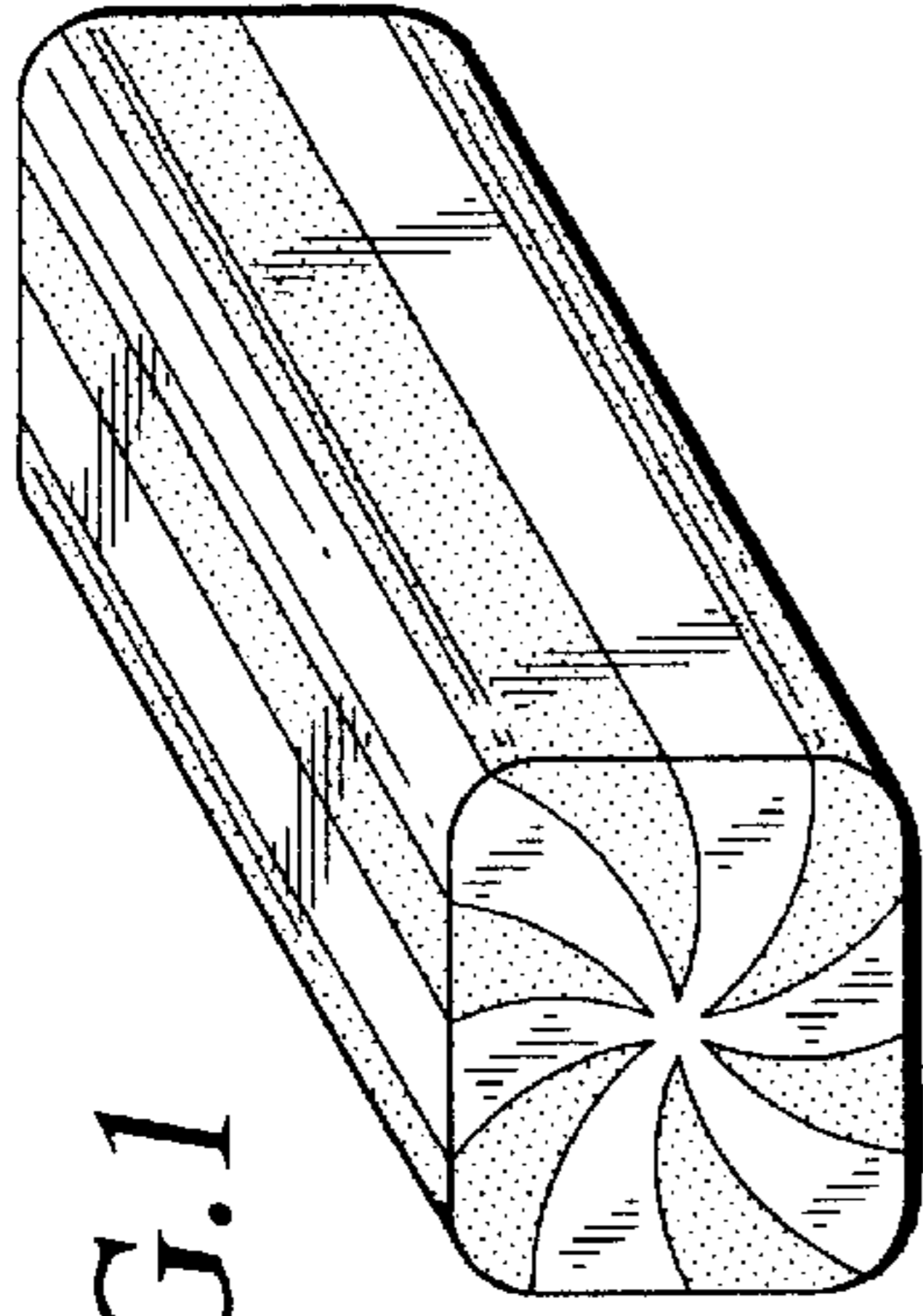


FIG. 1

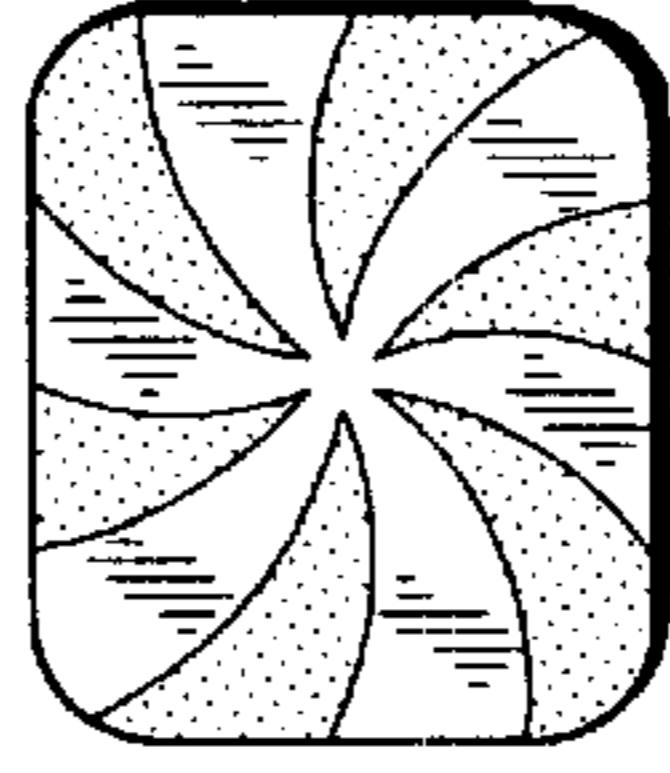


FIG. 7

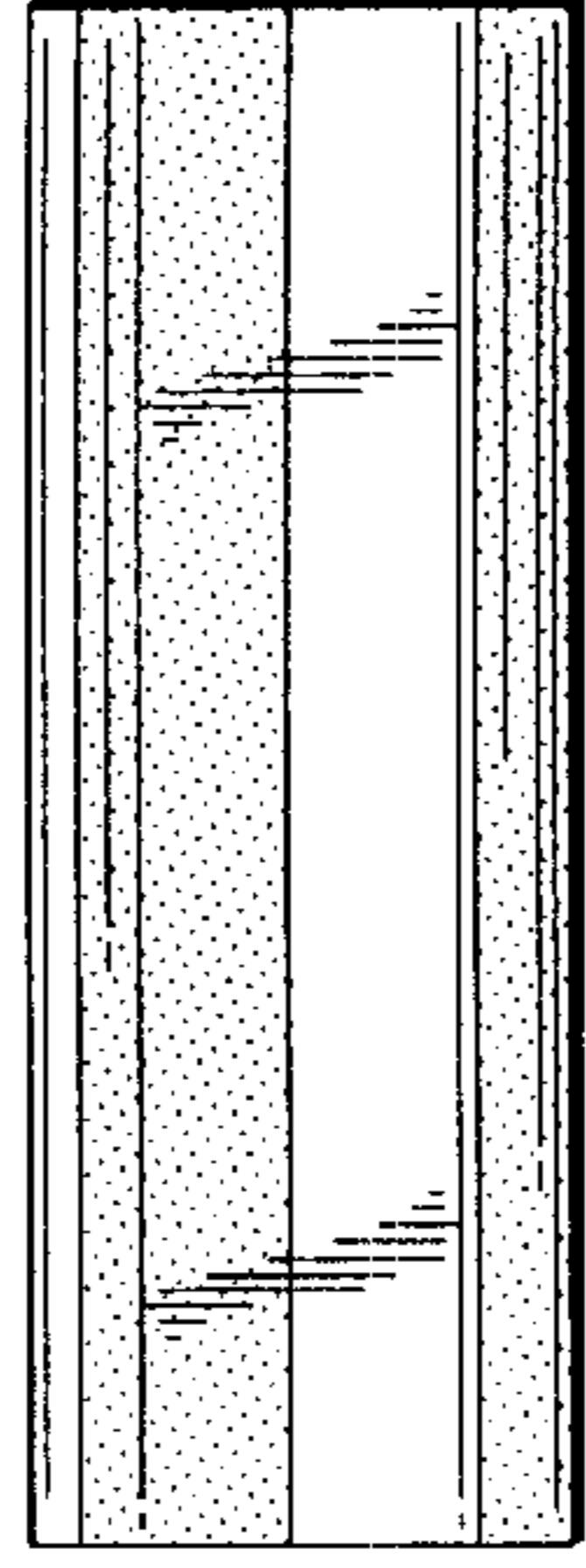


FIG. 6

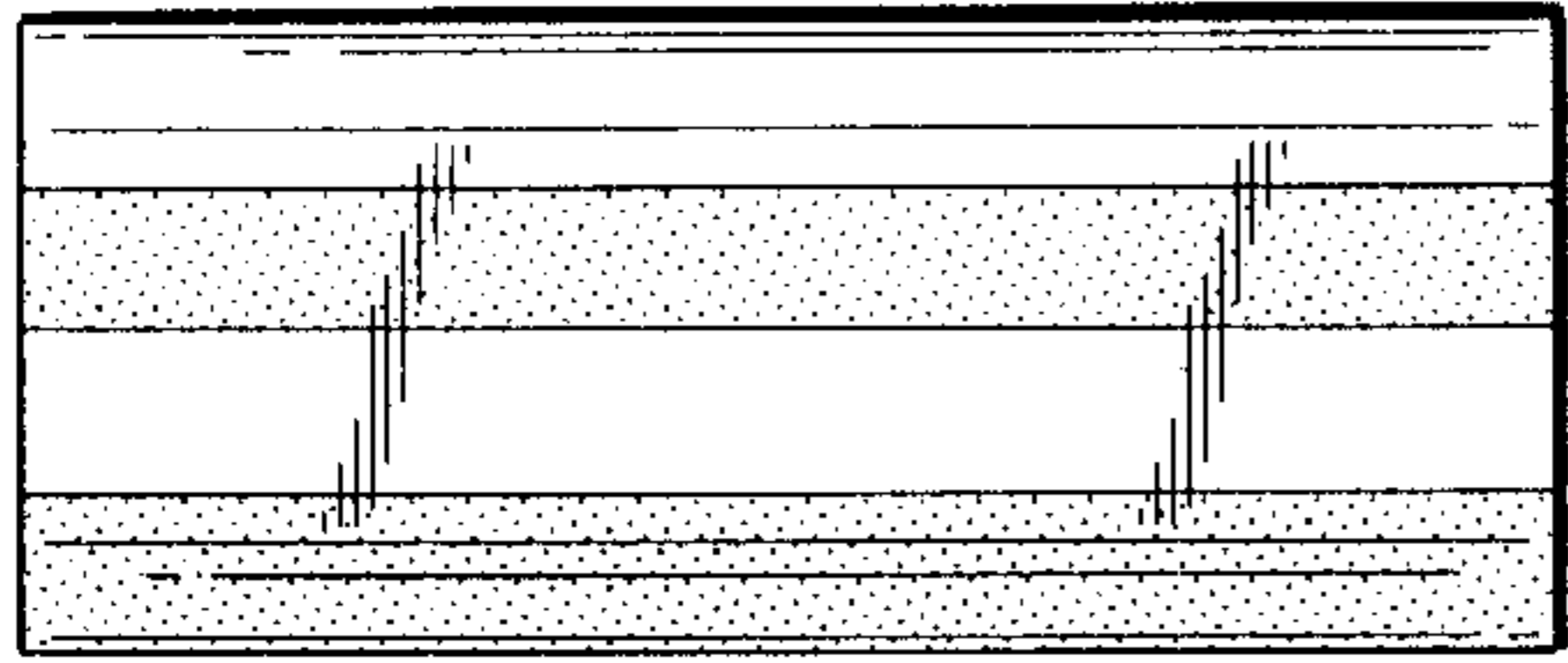


FIG. 3

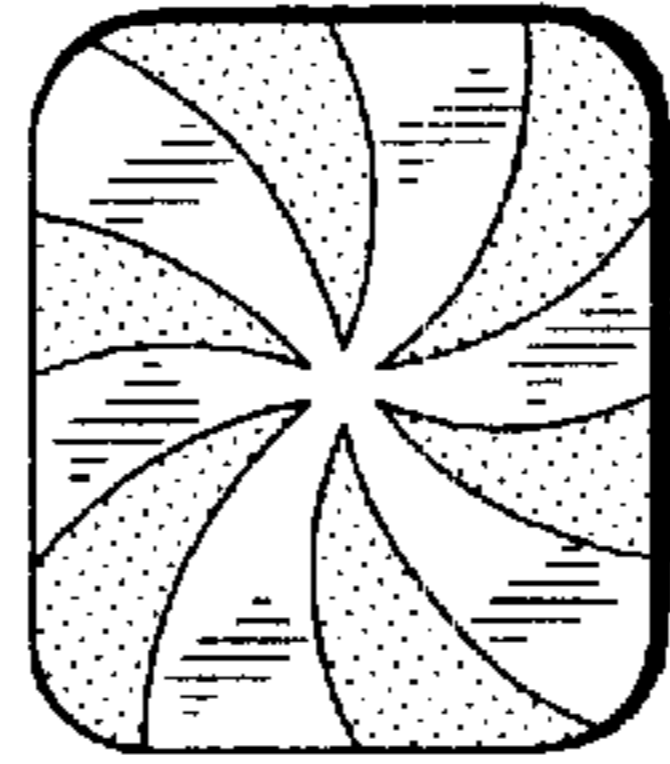


FIG. 2

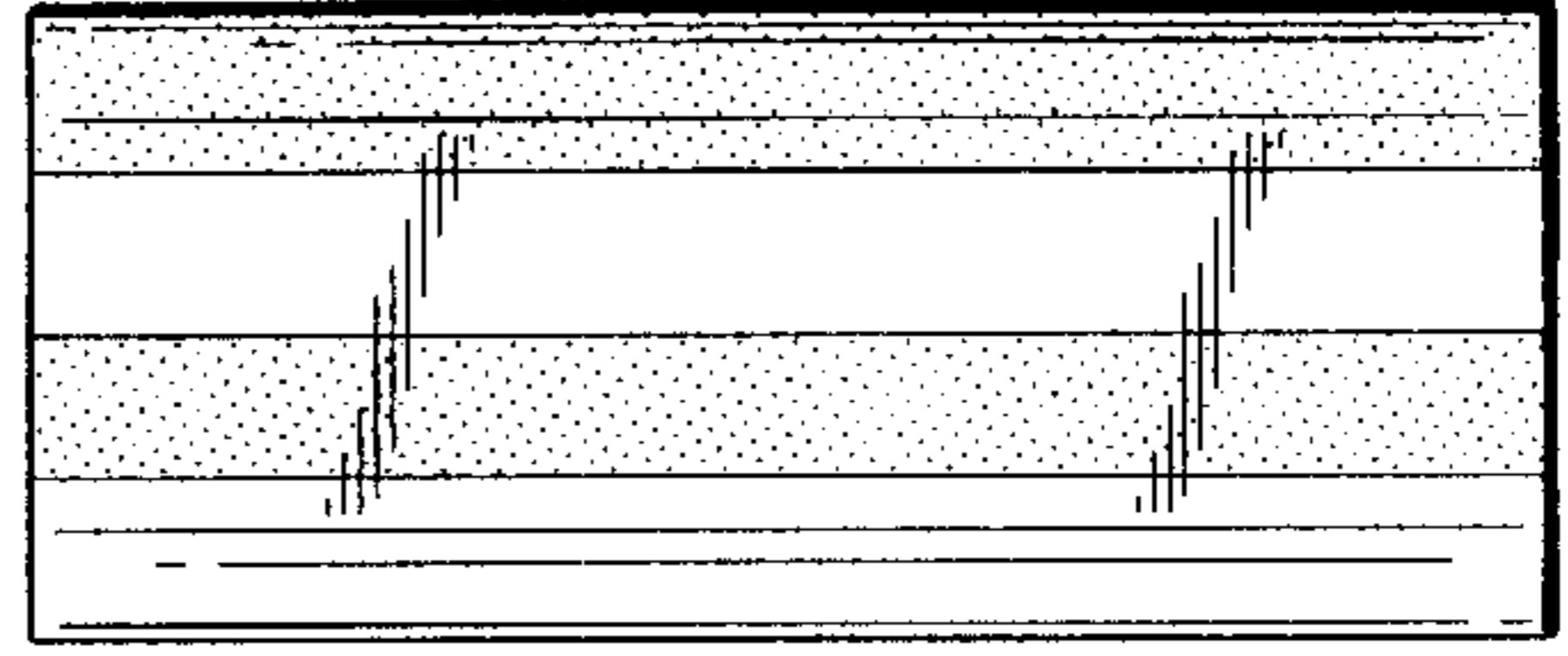


FIG. 5

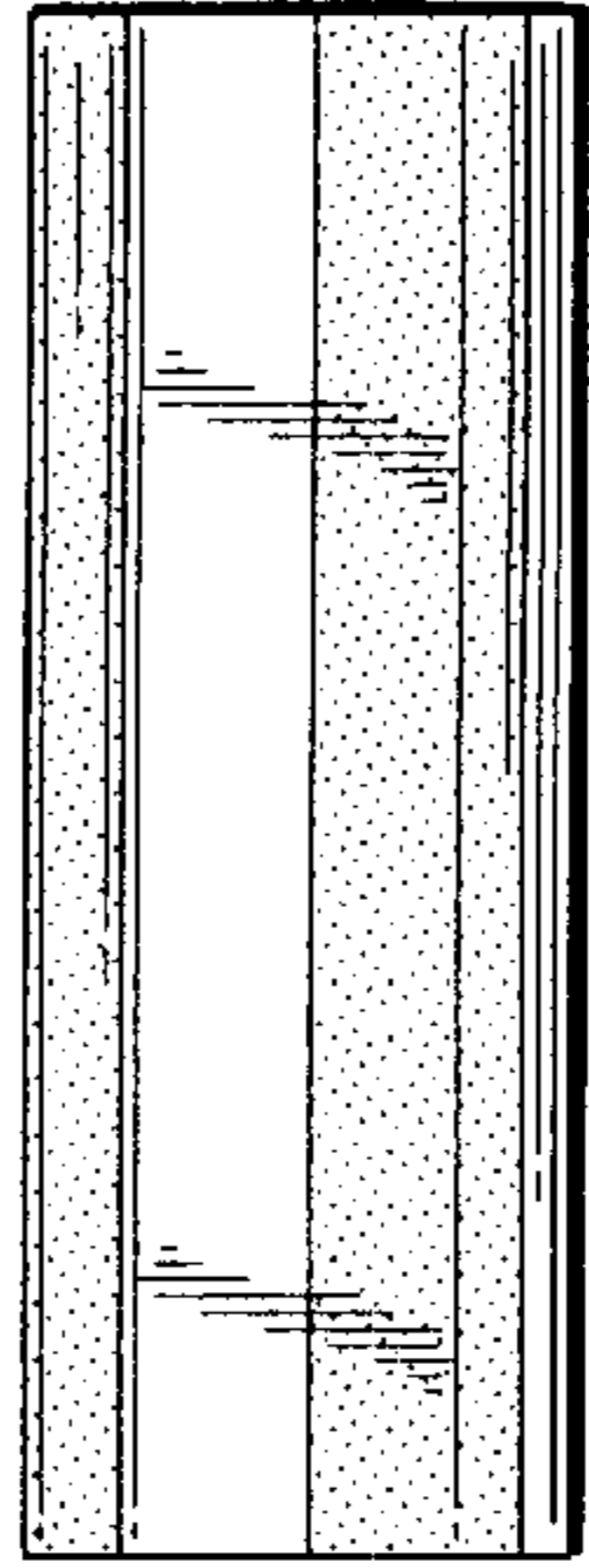


FIG. 4