



US00D478702S

(12) **United States Design Patent**
Dregney

(10) **Patent No.:** **US D478,702 S**

(45) **Date of Patent:** **** Aug. 19, 2003**

(54) **MAIL DELIVERY INDICATOR KIT FOR MAIL BOX**

(76) **Inventor:** **Rodney A. Dregney**, 5253 Steinke Rd., Mondovi, WI (US) 54755

(**) **Term:** **14 Years**

(21) **Appl. No.:** **29/172,711**

(22) **Filed:** **Dec. 17, 2002**

(51) **LOC (7) Cl.** **99-00**

(52) **U.S. Cl.** **D99/29**

(58) **Field of Search** D99/29, 30, 31, D99/32, 33; 232/17, 33, 35, 36

(56) **References Cited**

U.S. PATENT DOCUMENTS

1,929,965	A	*	10/1933	Black et al.	232/35
2,475,098	A	*	7/1949	Jones	232/35
3,482,543	A	*	12/1969	Gividos	232/35
3,572,581	A		3/1971	McLeod		
3,958,752	A		5/1976	Pieszchala		
4,066,209	A		1/1978	Brake		
4,138,056	A	*	2/1979	Sherrill	232/35
4,186,870	A	*	2/1980	Walden	232/35
4,449,663	A	*	5/1984	Schluter	232/35
4,520,350	A		5/1985	Huang		
4,570,846	A	*	2/1986	Morgrey	232/35

4,860,949	A		8/1989	Moore		
4,953,783	A	*	9/1990	Chambers	232/35
D330,449	S	*	10/1992	Coats	D99/29
D332,167	S		12/1992	Jackman		
5,366,148	A	*	11/1994	Schreckengost	232/35
5,664,728	A		9/1997	Jones		
5,695,113	A		12/1997	Rau et al.		

* cited by examiner

Primary Examiner—Paula A. Mortimer

(74) *Attorney, Agent, or Firm*—Donald R. Schoonover

(57) **CLAIM**

I claim the ornamental design for a mail delivery indicator kit for mail box, as shown and described.

DESCRIPTION

FIG. 1 is a perspective view of a mail delivery indicator kit for mail box showing my new design in use; the broken lines show environmental structure for illustrative purposes only and form no part of the claimed design;

FIG. 2 is an enlarged side elevational view thereof;

FIG. 3 is an enlarged view of the opposite side thereof;

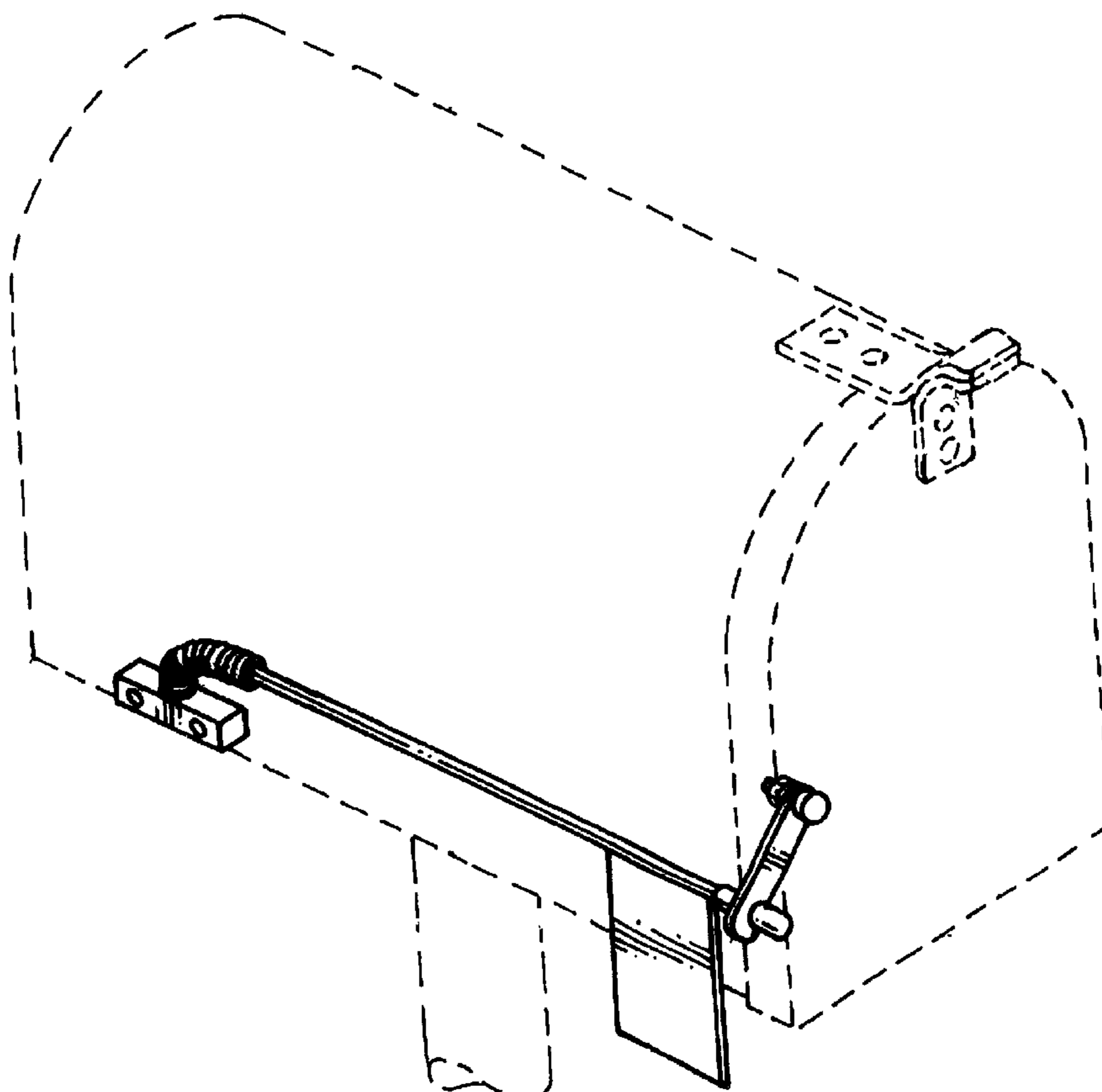
FIG. 4 is an enlarged front end elevational view thereof;

FIG. 5 is an enlarged rear end elevational view thereof;

FIG. 6 is an enlarged top plan view thereof; and,

FIG. 7 is an enlarged bottom plan view thereof.

1 Claim, 3 Drawing Sheets



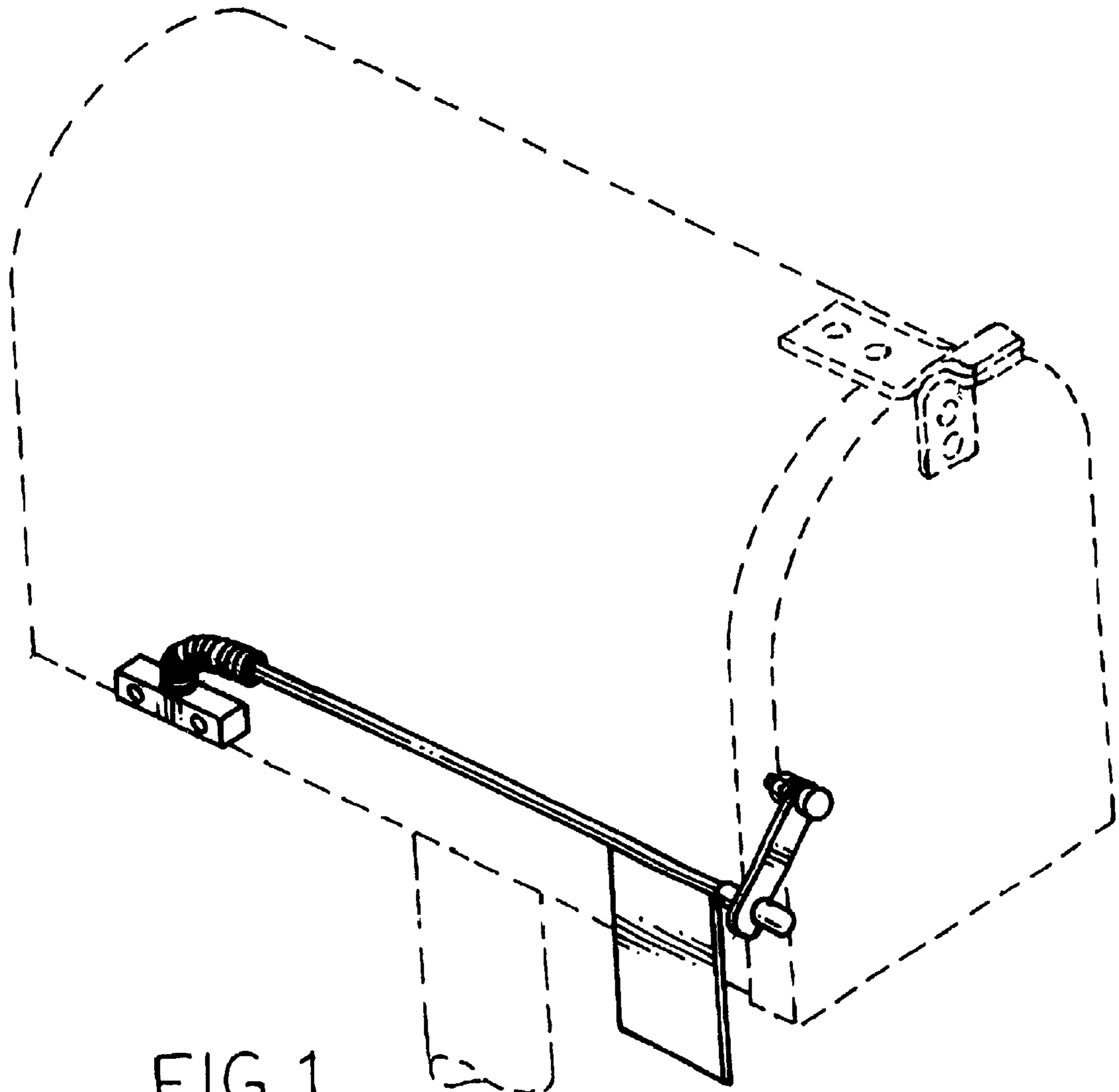


FIG. 1.

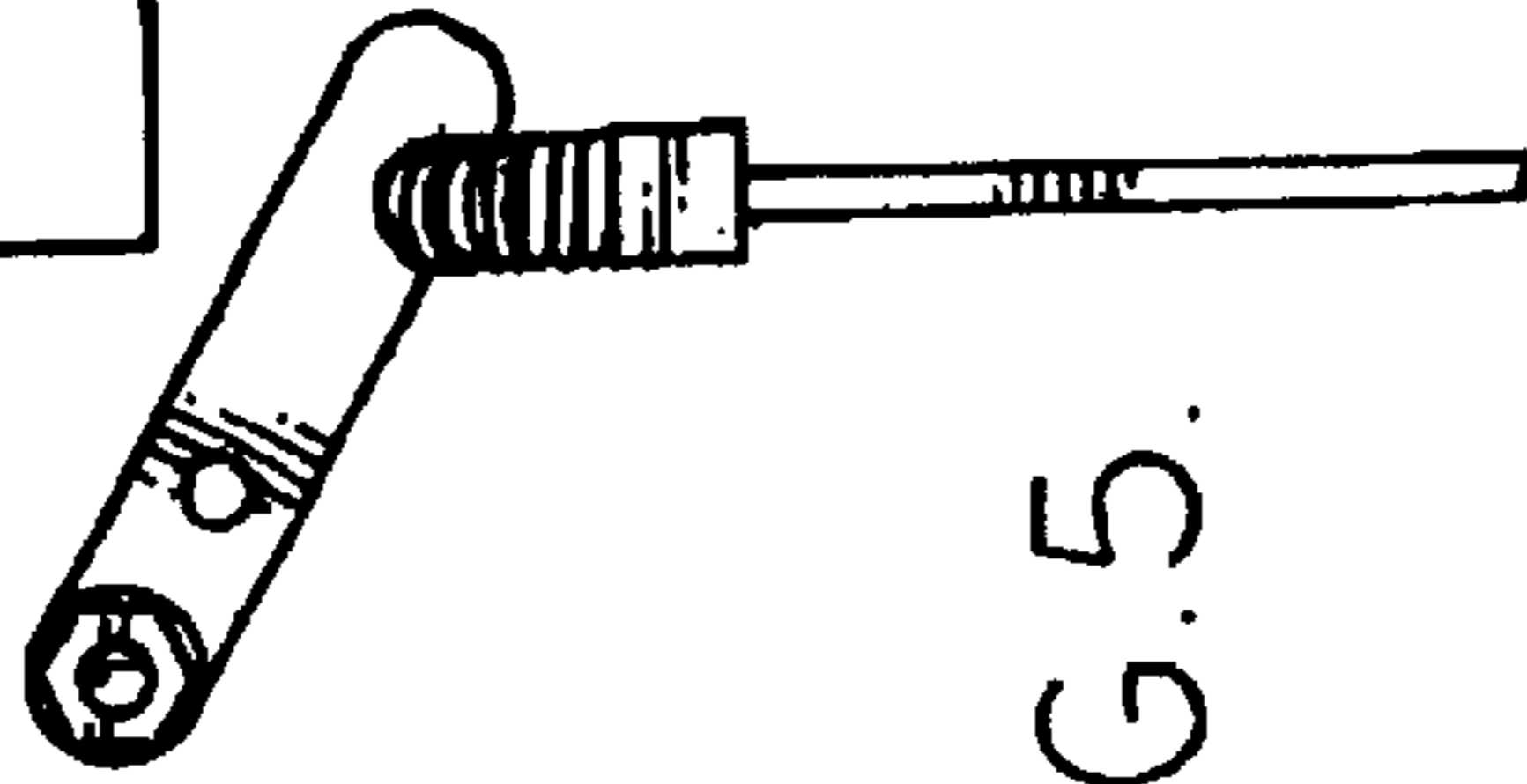
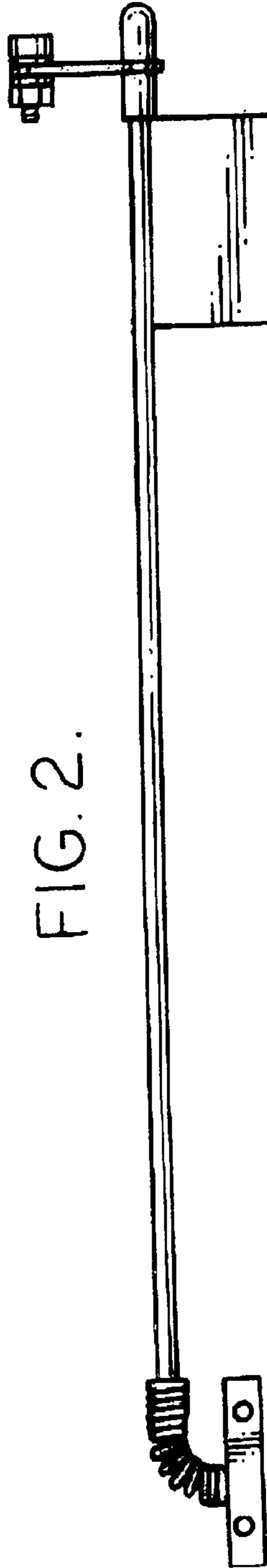


FIG. 5.

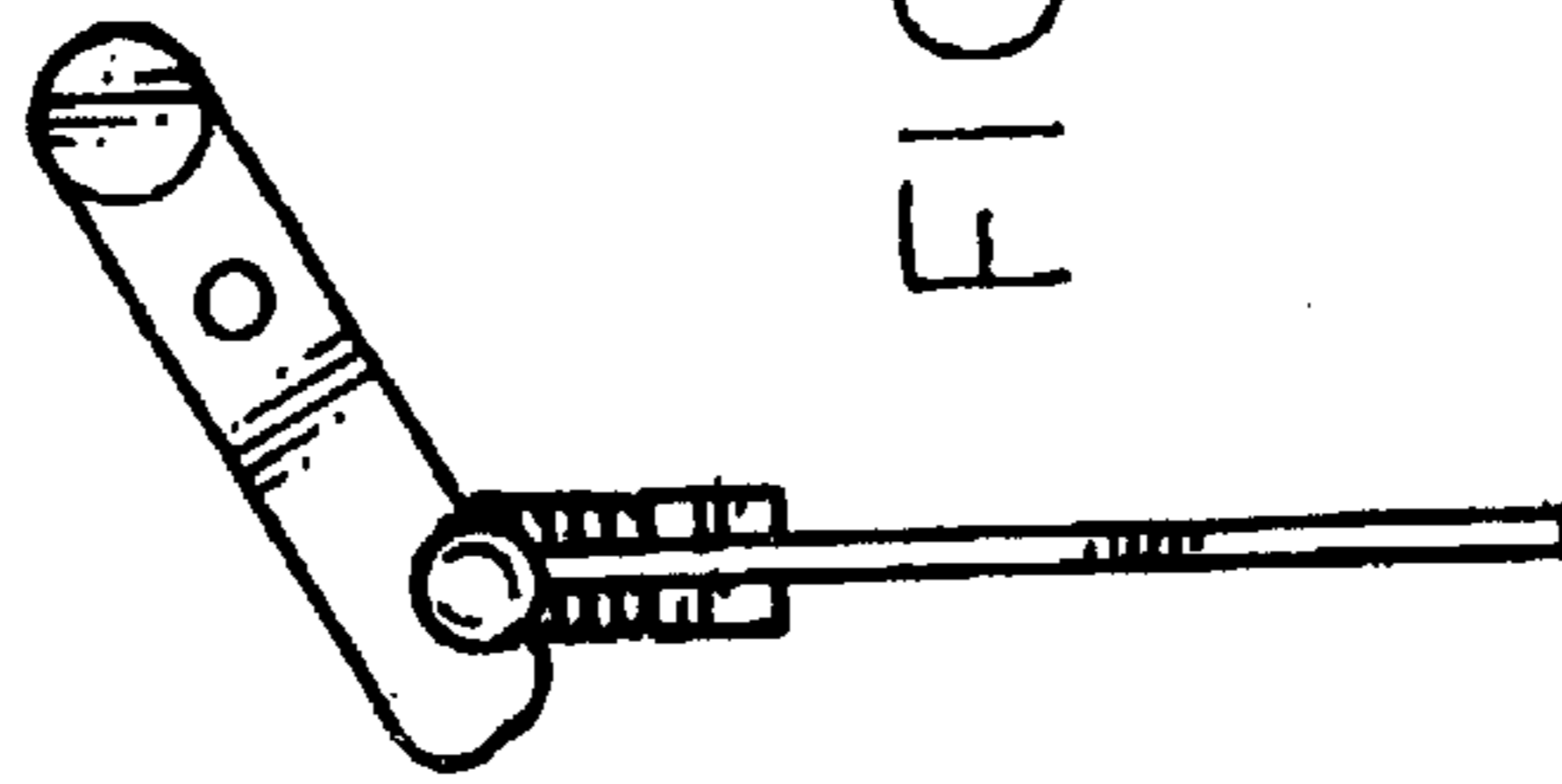


FIG. 4.



FIG. 7

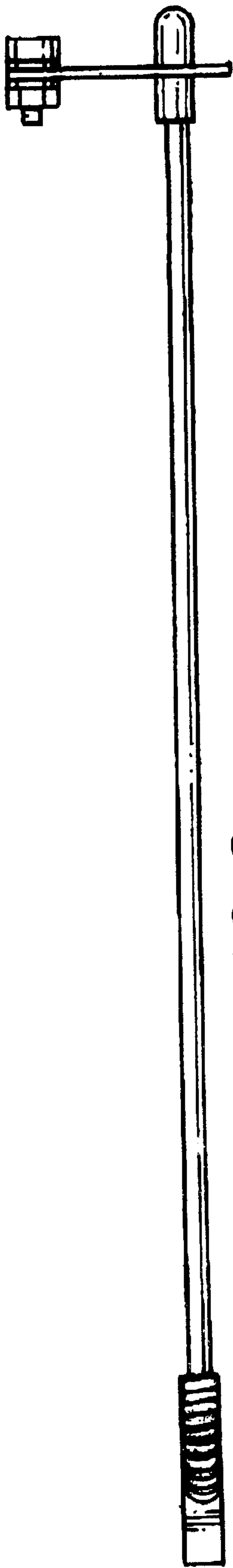


FIG. 6.

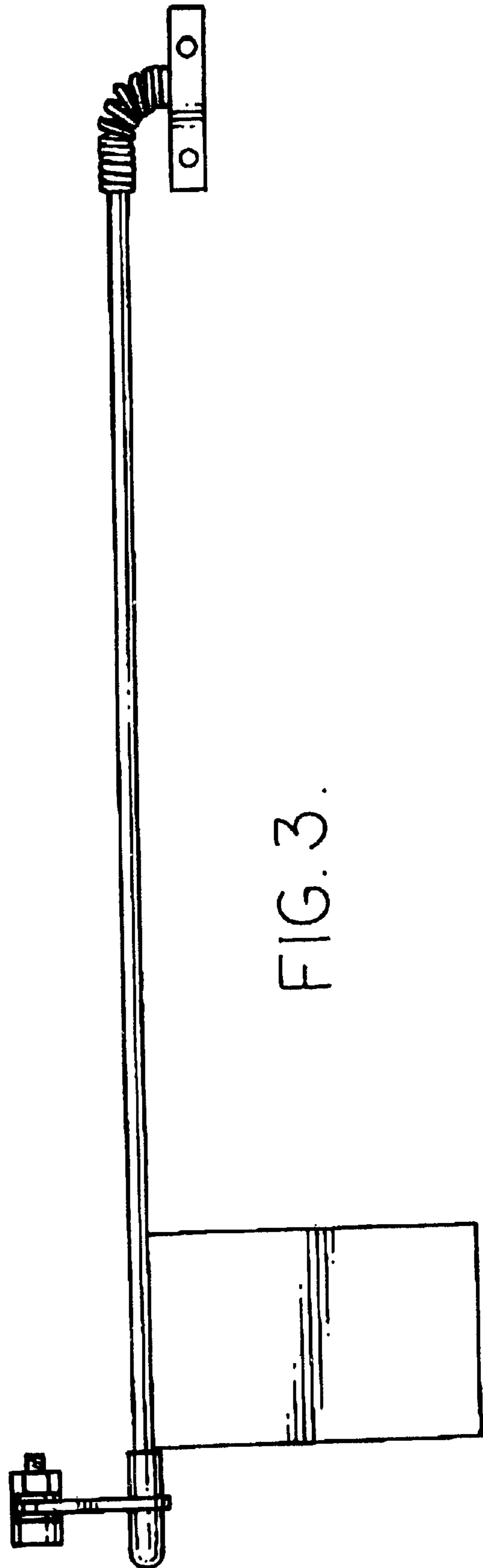


FIG. 3.