



US00D478701S

(12) **United States Design Patent**
Panek, Jr.

(10) **Patent No.:** **US D478,701 S**

(45) **Date of Patent:** **** Aug. 19, 2003**

(54) **CART BODY FOR A MEDICAL WASTE DISPOSAL SYSTEM**

(75) **Inventor:** **Robert Joseph Panek, Jr., Huntley, IL (US)**

(73) **Assignee:** **Tyco Healthcare Group LP, Mansfield, MA (US)**

(**) **Term:** **14 Years**

(21) **Appl. No.:** **29/146,216**

(22) **Filed:** **Aug. 6, 2001**

Related U.S. Application Data

(63) Continuation of application No. 09/845,976, filed on Apr. 30, 2001.

(51) **LOC (7) Cl.** **12-02**

(52) **U.S. Cl.** **D34/25; D34/5**

(58) **Field of Search** **D34/12-27, 1, D34/5, 7; 220/23.87, 908, 771; 280/47.26**

(56) **References Cited**

U.S. PATENT DOCUMENTS

- 2,351,597 A 6/1944 Burlin
- 3,064,931 A 11/1962 Rowe
- 3,333,721 A 8/1967 Marek
- 3,869,979 A 3/1975 Sulcek
- 4,420,168 A * 12/1983 Dewing 280/43.1
- 4,637,545 A 1/1987 Stewart
- 4,765,548 A 8/1988 Sing
- 4,911,294 A 3/1990 Russo et al.
- 4,913,309 A 4/1990 Fink
- 5,107,990 A 4/1992 Wicherski et al.
- D326,753 S 6/1992 DeBusk
- D332,852 S 1/1993 Delmerico
- 5,235,795 A 8/1993 DeBusk
- D341,237 S 11/1993 DeBusk
- 5,348,222 A 9/1994 Patey

- D352,350 S * 11/1994 Rambo et al. D23/364
- D358,240 S 5/1995 Mosior
- 5,415,315 A 5/1995 Ramirez
- 5,419,435 A 5/1995 Perzan et al.
- 5,531,346 A 7/1996 Mosior
- 5,531,348 A 7/1996 Baker et al.
- 5,538,158 A 7/1996 Prout et al.
- 5,582,322 A 12/1996 Prout et al.
- 5,590,840 A 1/1997 Adams et al.
- 5,659,247 A 8/1997 Clements
- 5,673,811 A 10/1997 Dickinson et al.
- D388,577 S * 12/1997 Rehrig et al. D34/5
- 5,730,451 A 3/1998 Walker
- D393,334 S 4/1998 Presnell et al.
- 5,881,896 A 3/1999 Presnell et al.
- 5,947,285 A 9/1999 Gaba et al.
- 6,138,558 A 10/2000 Harrington
- 6,202,922 B1 3/2001 Phillips et al.
- D445,228 S * 7/2001 Apps et al. D34/5

* cited by examiner

Primary Examiner—Kay H. Chin

(74) *Attorney, Agent, or Firm*—RatnerPrestia

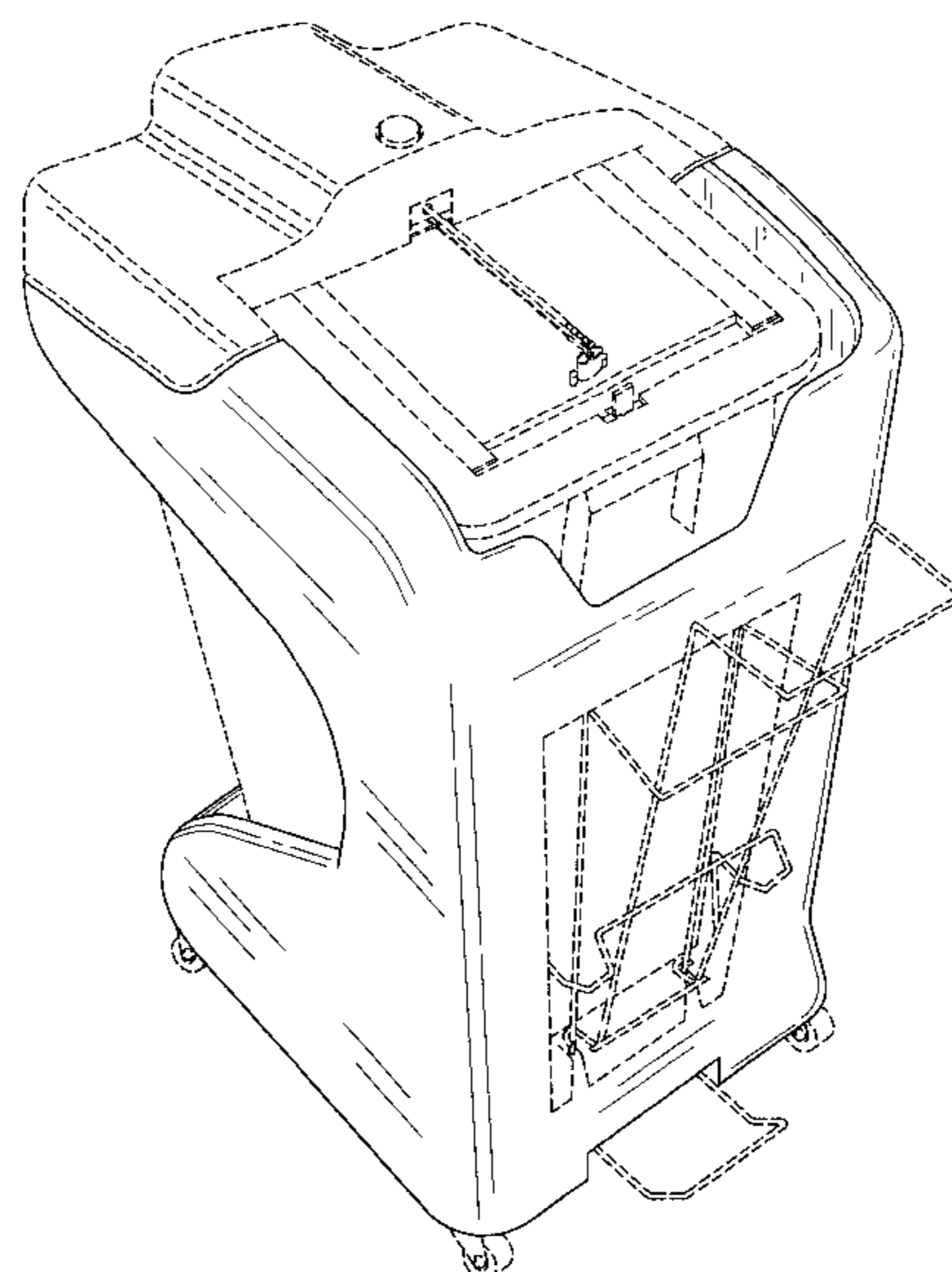
(57) **CLAIM**

The ornamental design for a cart body for a medical waste disposal system, as shown and described.

DESCRIPTION

FIG. 1 is a perspective view of a cart body for a medical waster disposal system showing my new design; FIG. 2 is a perspective view of the cart body; FIG. 3 is a side elevation view of FIG. 2; FIG. 4 is a rear elevation view of FIG. 2; FIG. 5 is a front elevation view of FIG. 2; FIG. 6 is a top plan view of FIG. 2; and, FIG. 7 is a bottom plan view of FIG. 2. The features indicated in the figures in broken lines form no part of the claimed design.

1 Claim, 7 Drawing Sheets



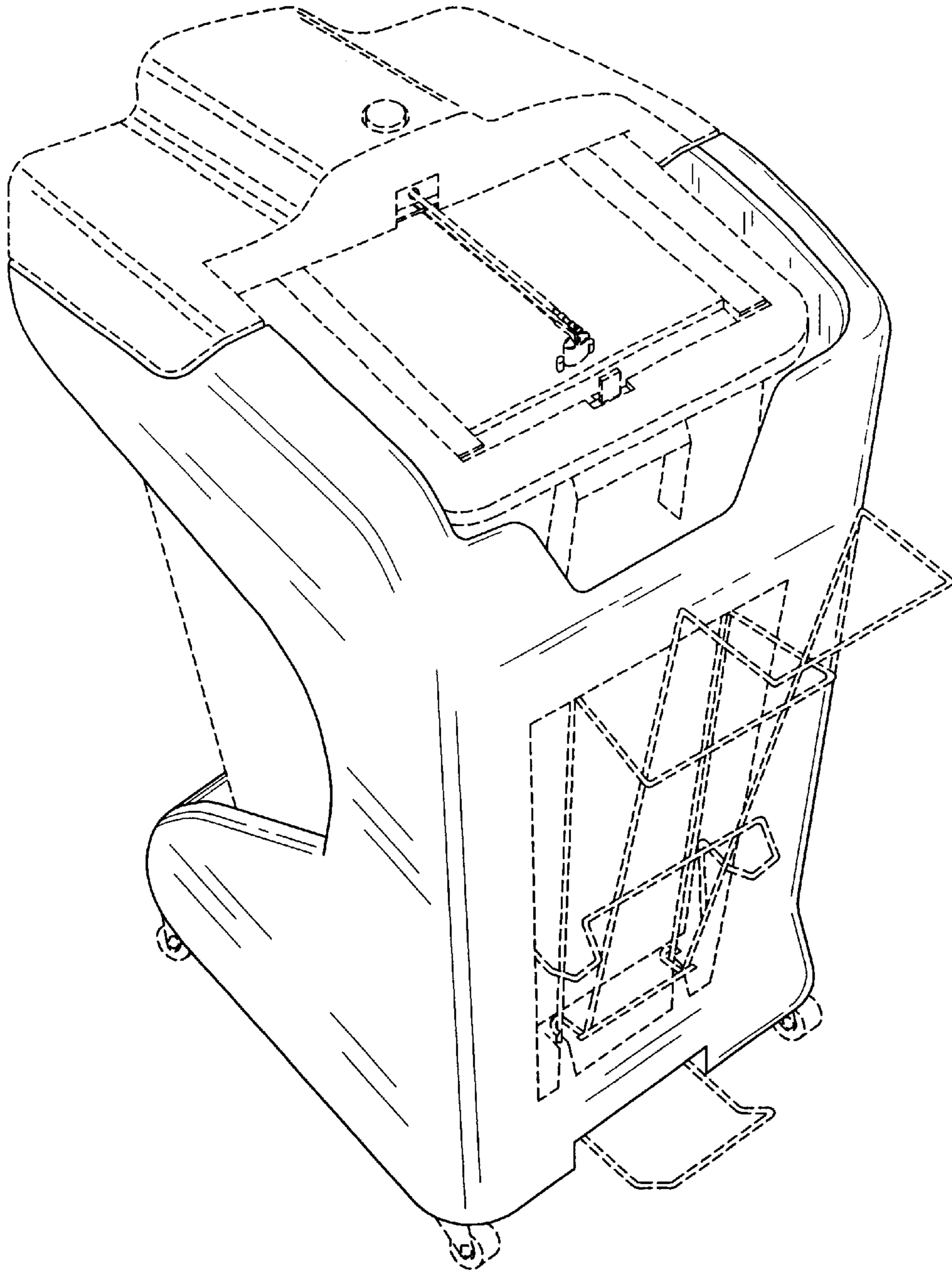


FIG. 1

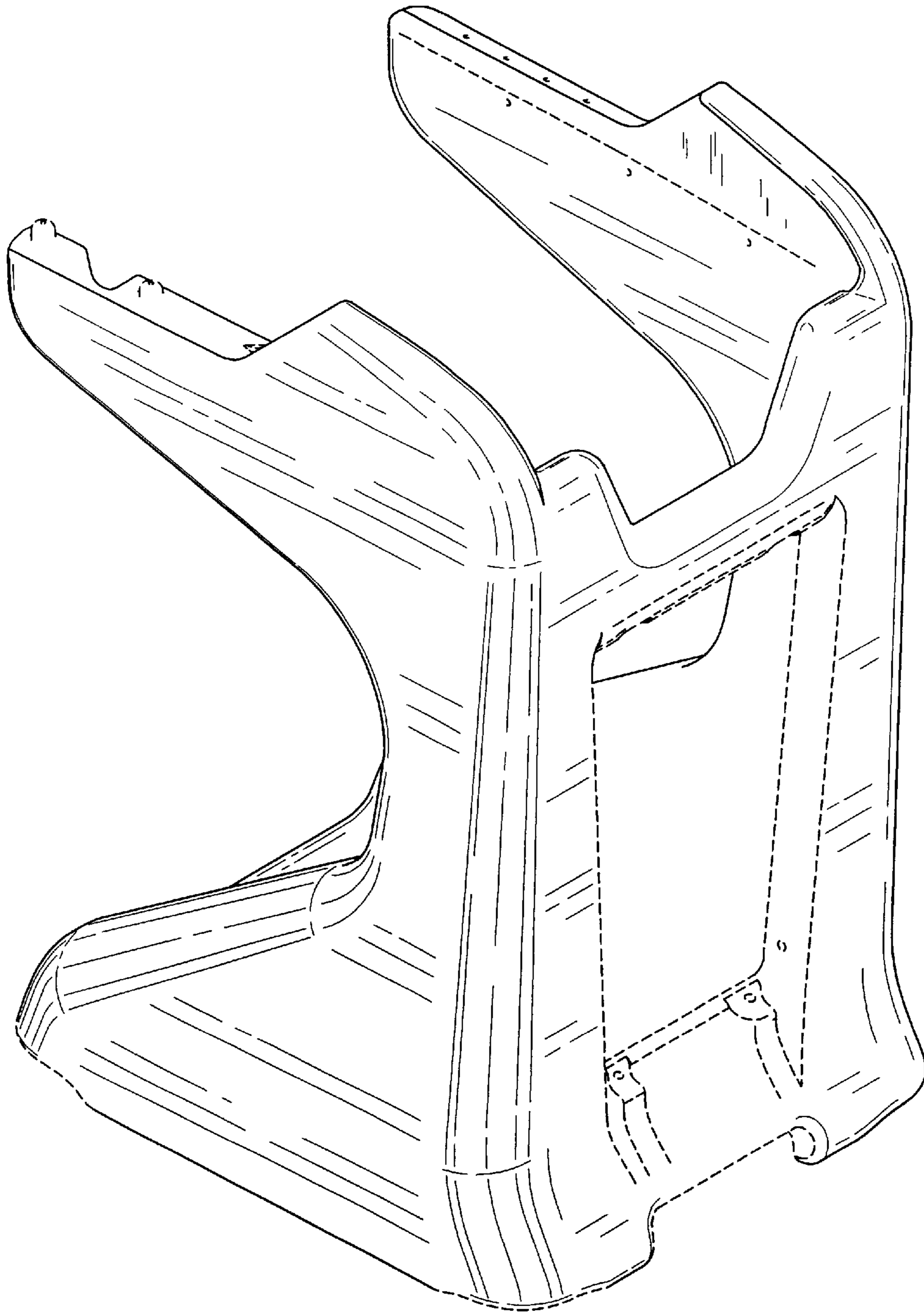


FIG. 2

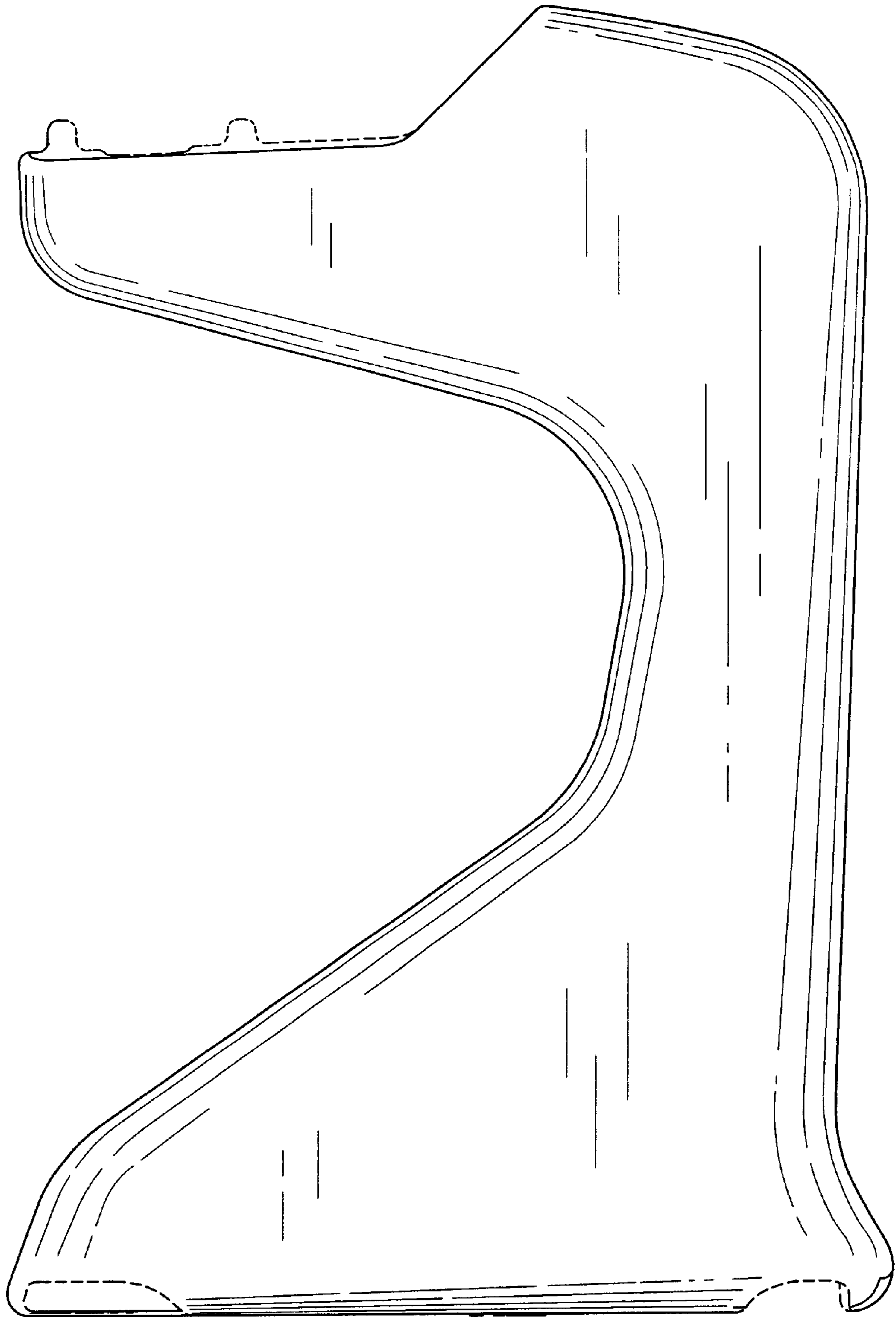


FIG. 3

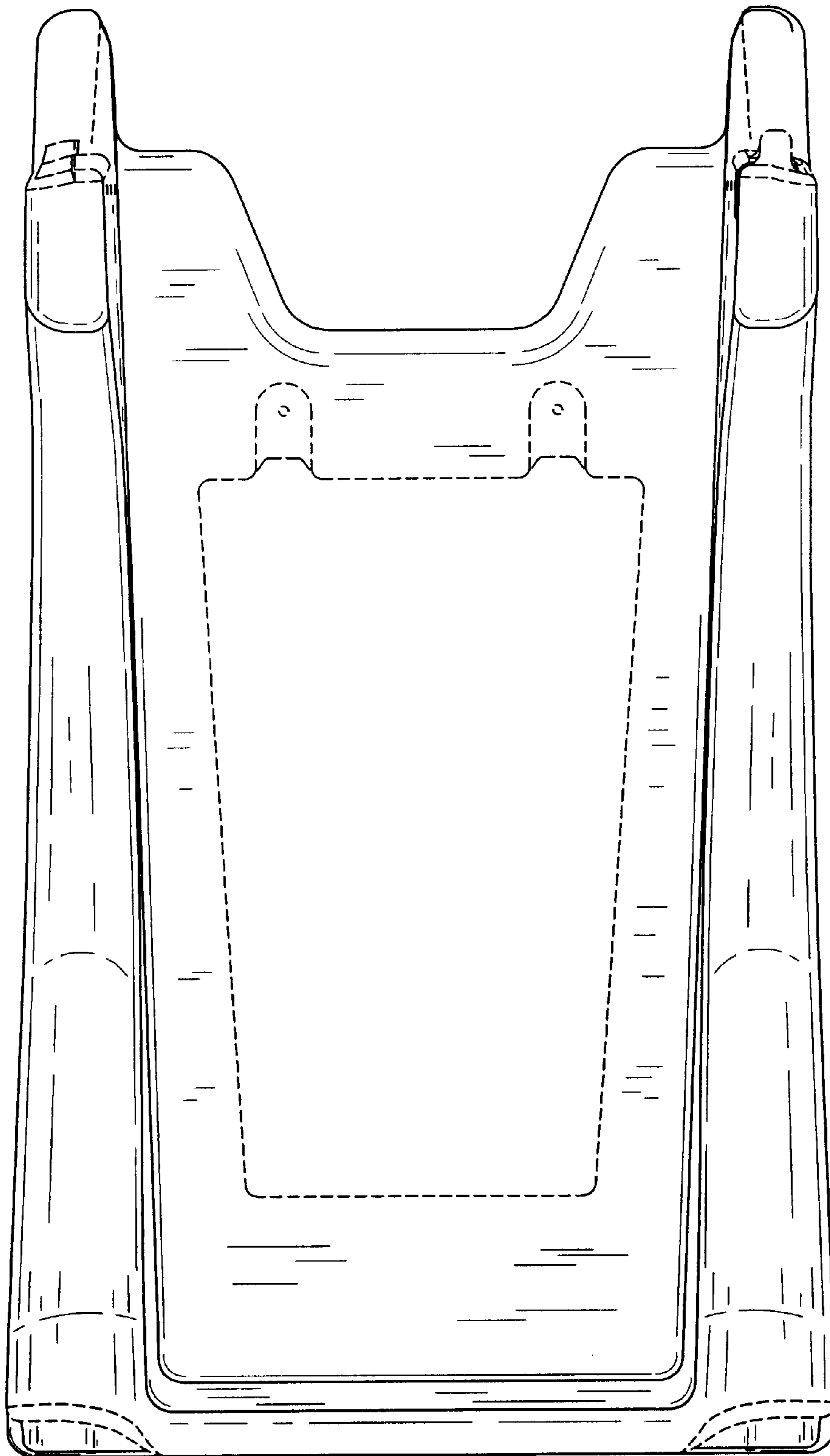


FIG. 4

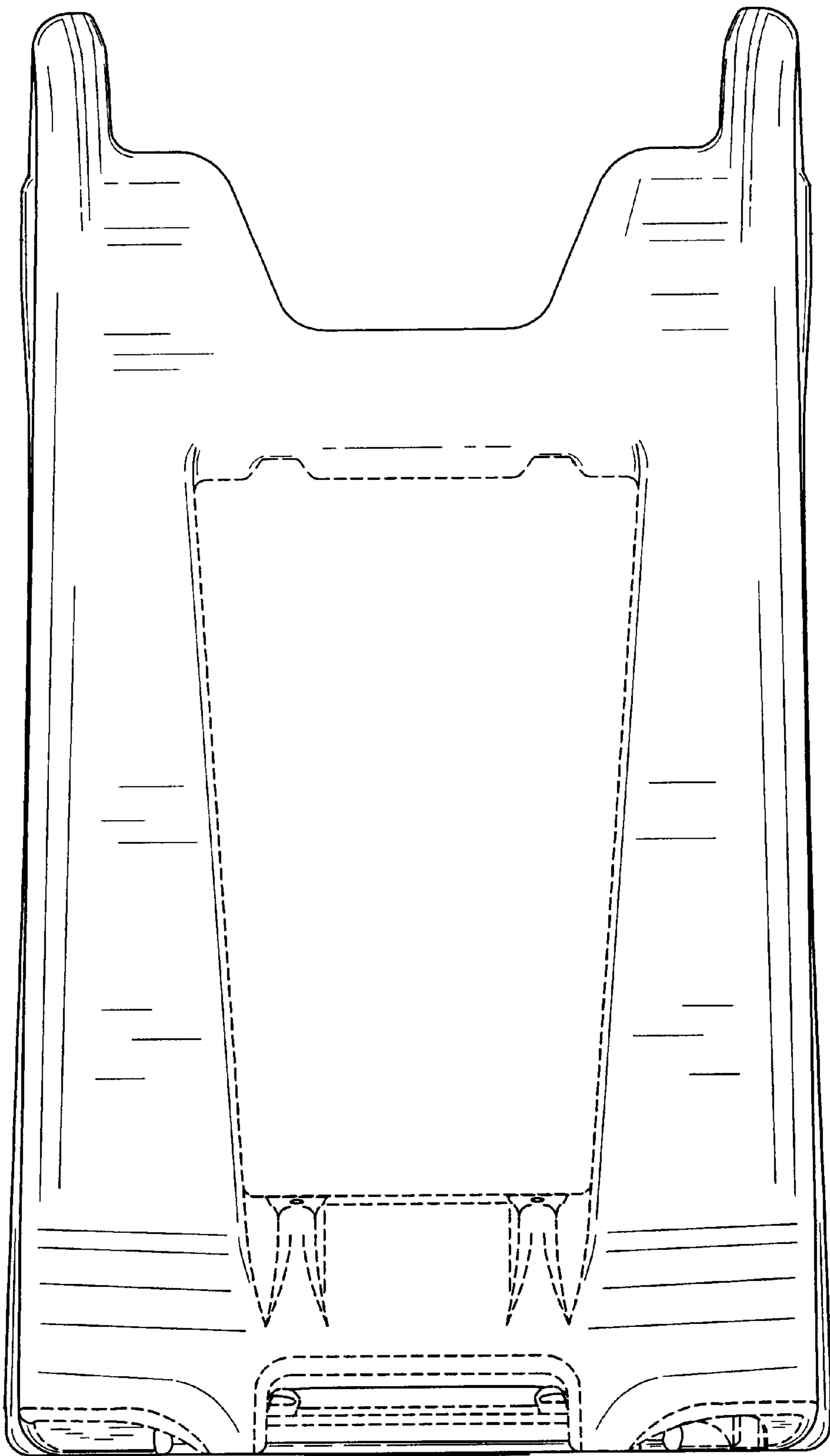


FIG. 5

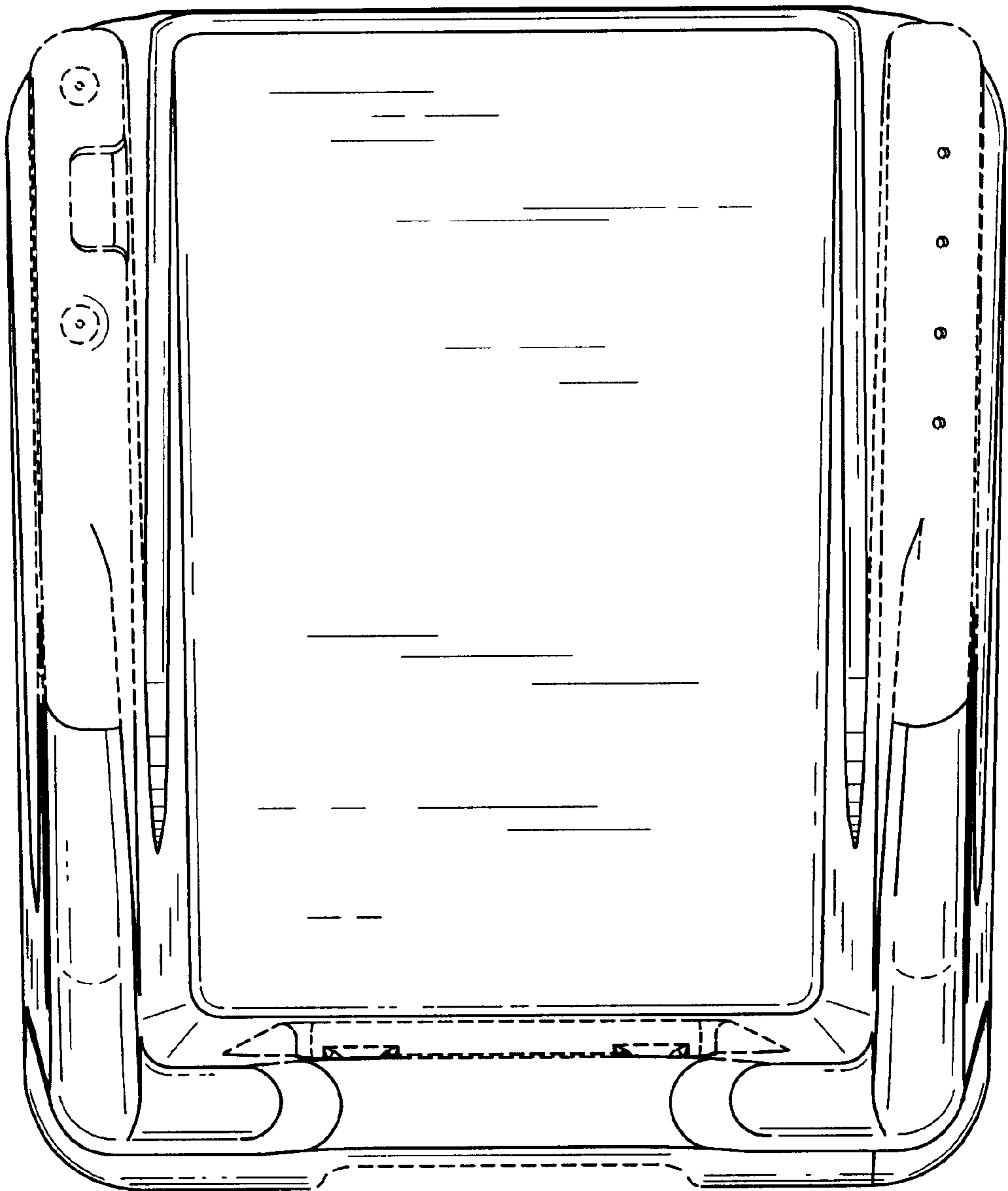


FIG. 6

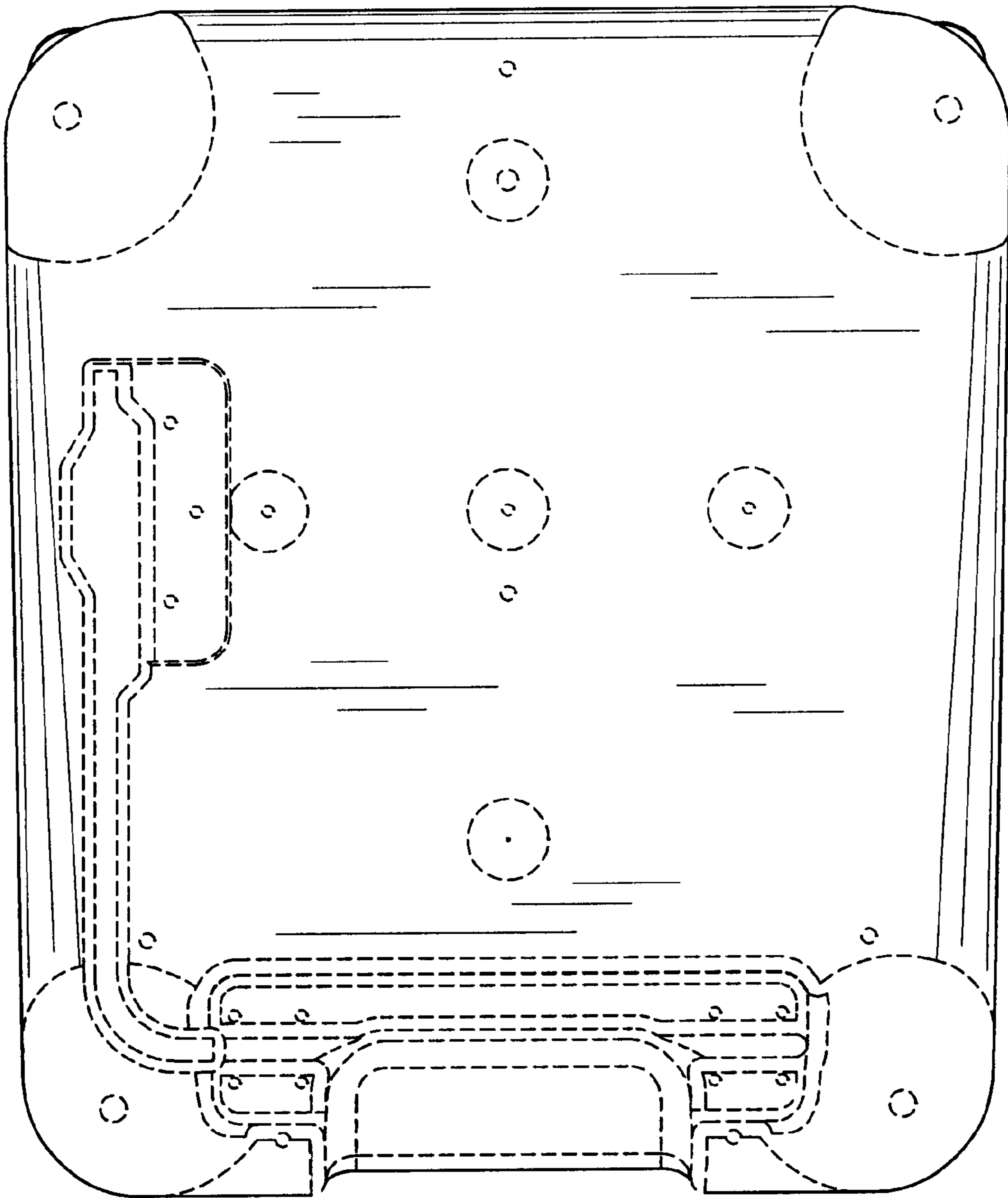


FIG. 7