



US00D478697S

(12) **United States Design Patent**  
**Song**

(10) **Patent No.:** **US D478,697 S**

(45) **Date of Patent:** **\*\* Aug. 19, 2003**

(54) **FILTER CAP FOR ELECTRIC CLEANER**

(75) **Inventor:** **Seoung-Wook Song, Seoul (KR)**

(73) **Assignee:** **Conet Industry, Inc., Seoul (KR)**

(\*\*) **Term:** **14 Years**

(21) **Appl. No.:** **29/172,009**

(22) **Filed:** **Dec. 4, 2002**

(51) **LOC (7) Cl.** ..... **15-05**

(52) **U.S. Cl.** ..... **D32/25**

(58) **Field of Search** ..... D32/23-25; D23/365,  
D23/390; 15/323, 326, 327 R, 327 F, 327 B,  
327 E, 352, 353, 347; 415/213.1

(56) **References Cited**

**U.S. PATENT DOCUMENTS**

- 2,956,734 A \* 10/1960 Doyle ..... 415/213.1
- 4,179,768 A \* 12/1979 Sawyer ..... 15/352
- D287,895 S \* 1/1987 Berfield et al. .... D32/25
- 5,660,493 A \* 8/1997 Stephens ..... 15/328 X

D425,677 S \* 5/2000 Williamson ..... D32/25

D437,464 S \* 2/2001 Song ..... D32/23

D437,466 S \* 2/2001 Song ..... D32/25

\* cited by examiner

*Primary Examiner*—Louis S. Zarfes

*Assistant Examiner*—Robert A. Delehanty

(74) *Attorney, Agent, or Firm*—R. Neil Sudol; Henry Coleman; William Sapone

(57) **CLAIM**

The ornamental design for the filter cap for electric cleaner, as shown and described.

**DESCRIPTION**

FIG. 1 is a top, front perspective view of a filter cap for electric cleaner, showing my new design;  
 FIG. 2 is a front elevational view thereof, to which the right, left and back elevational views are identical;  
 FIG. 3 is a top plan view thereof;  
 FIG. 4 is a bottom plan view thereof; and,  
 FIG. 5 is a exploded view shown on a reduced scale thereof.

**1 Claim, 5 Drawing Sheets**

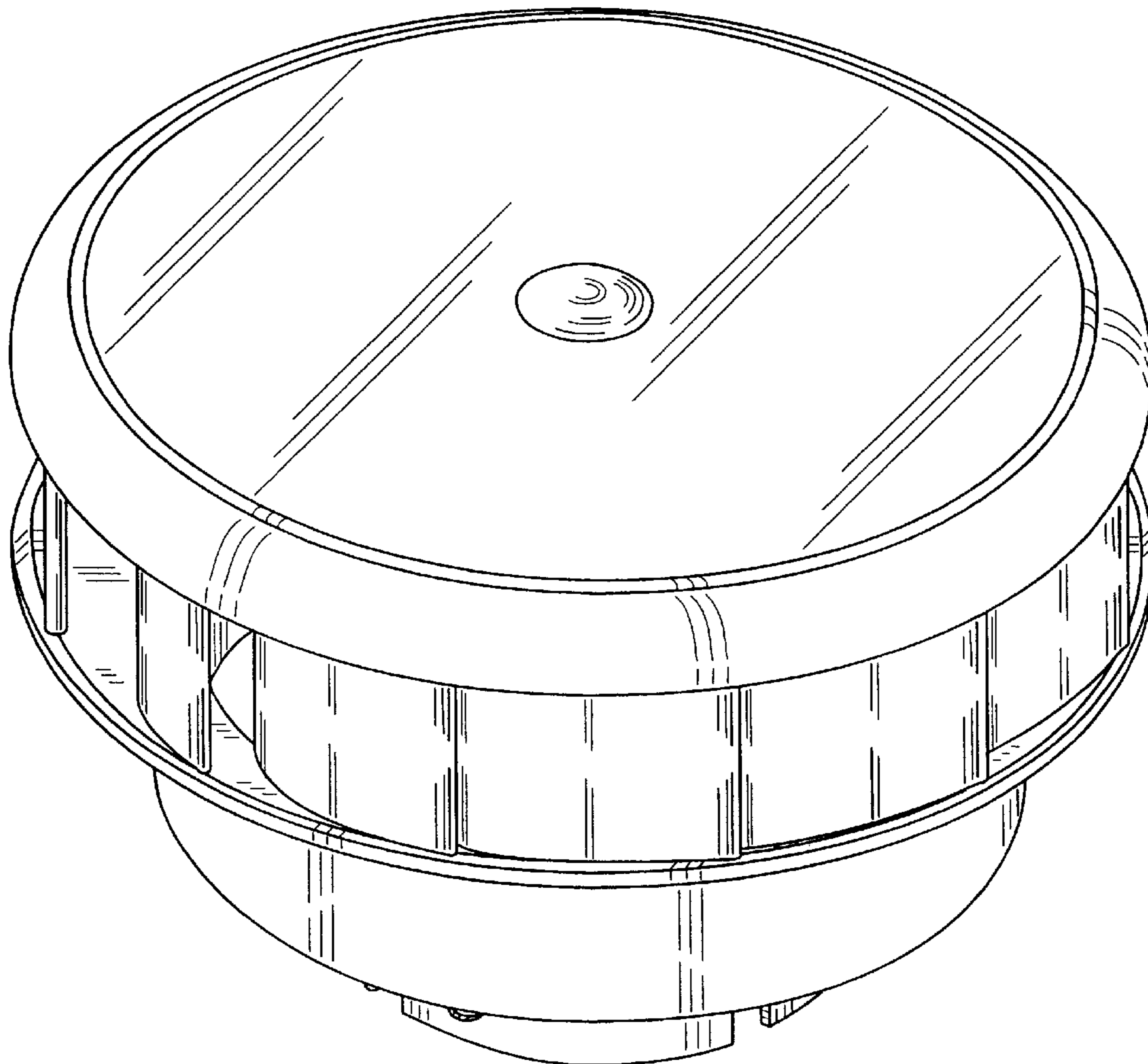


FIG. 1

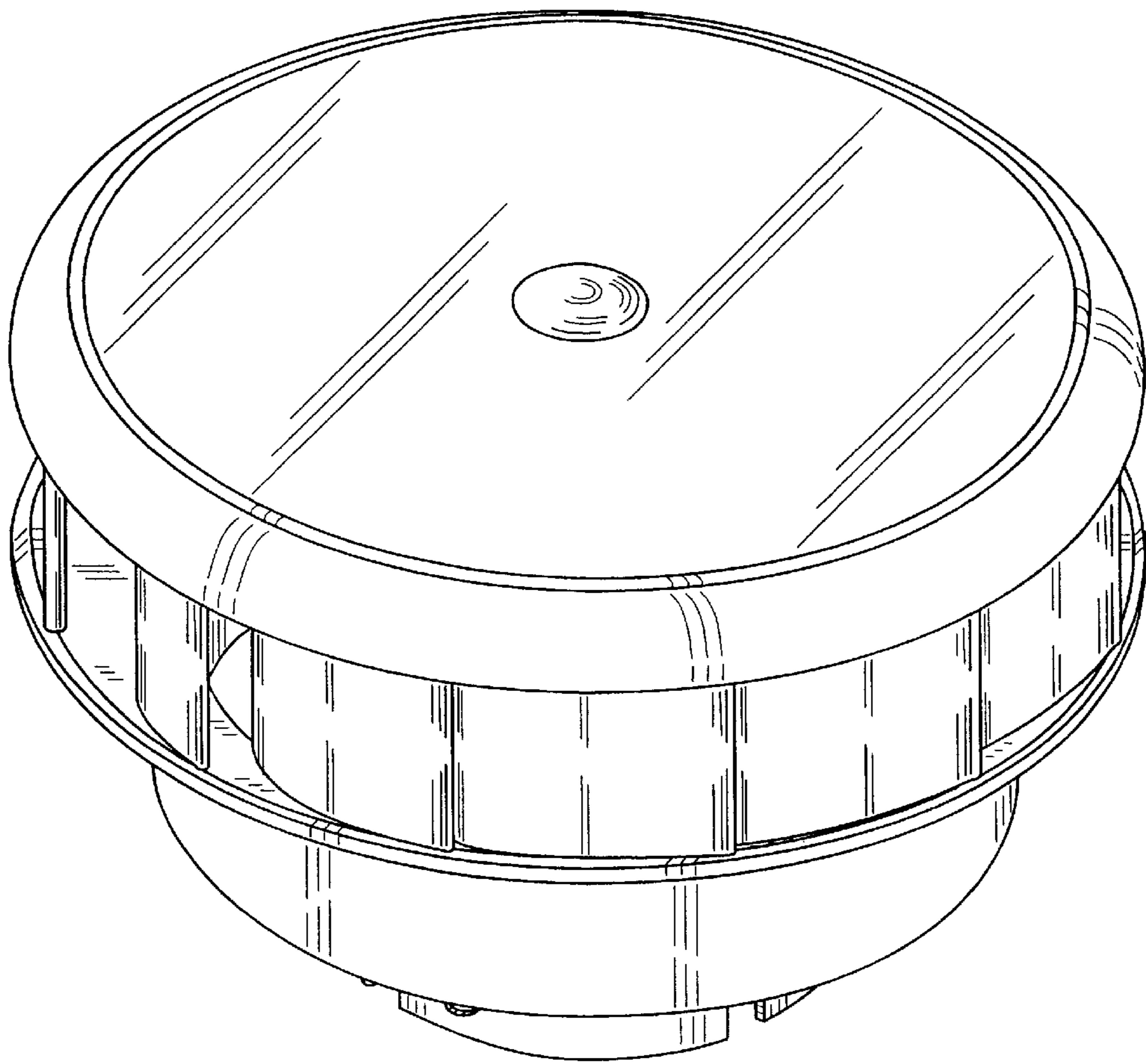


FIG. 2

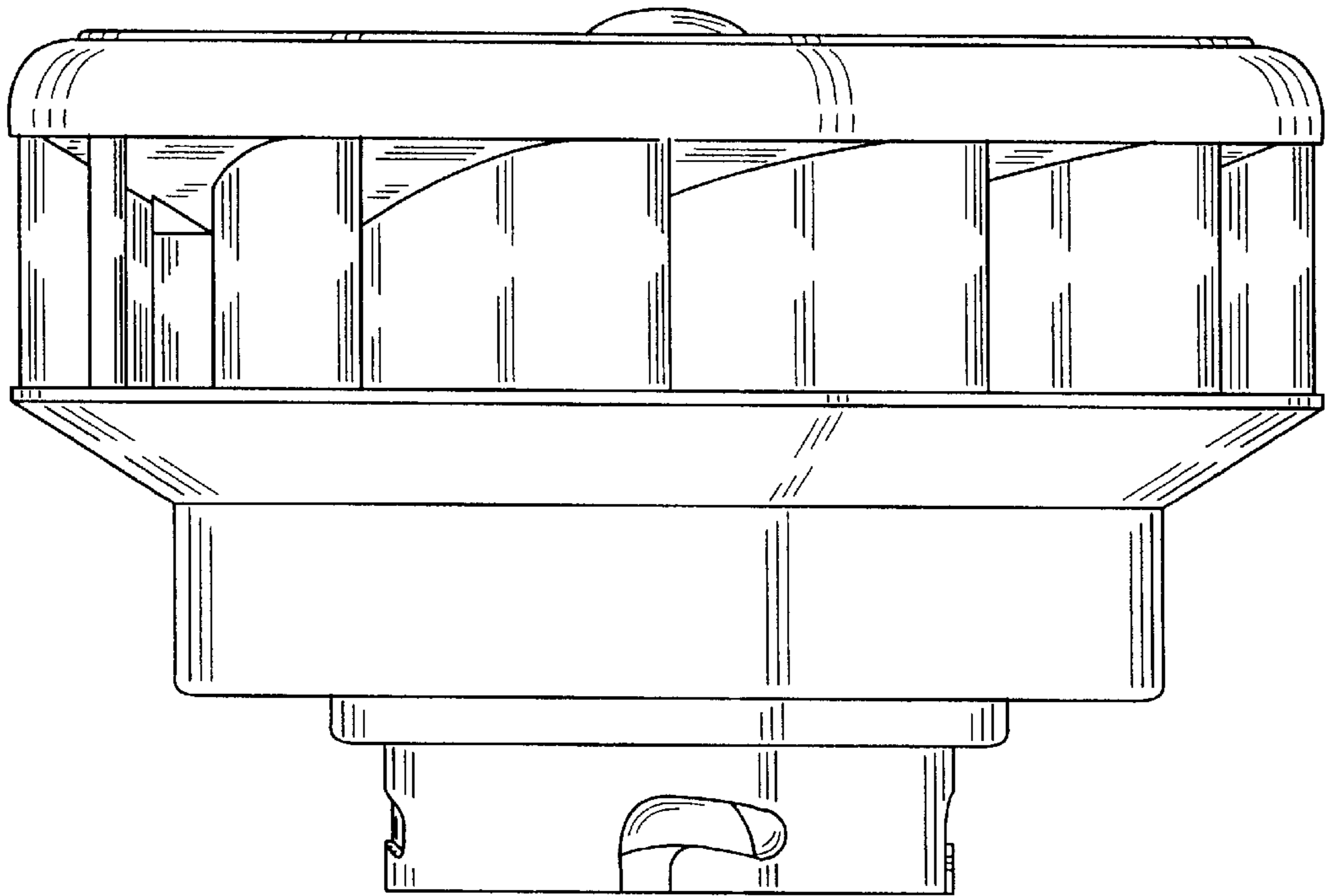


FIG. 3

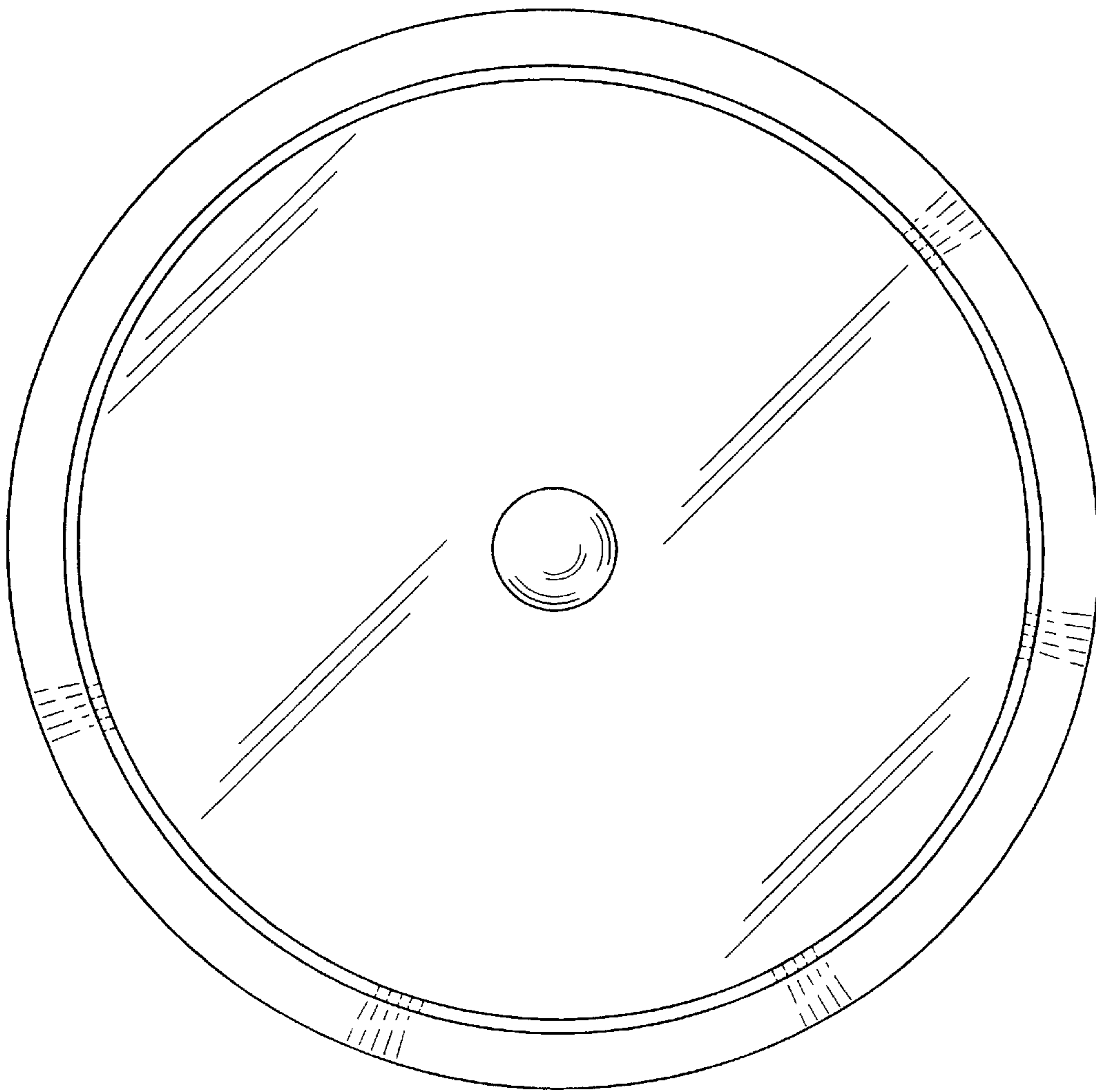


FIG. 4

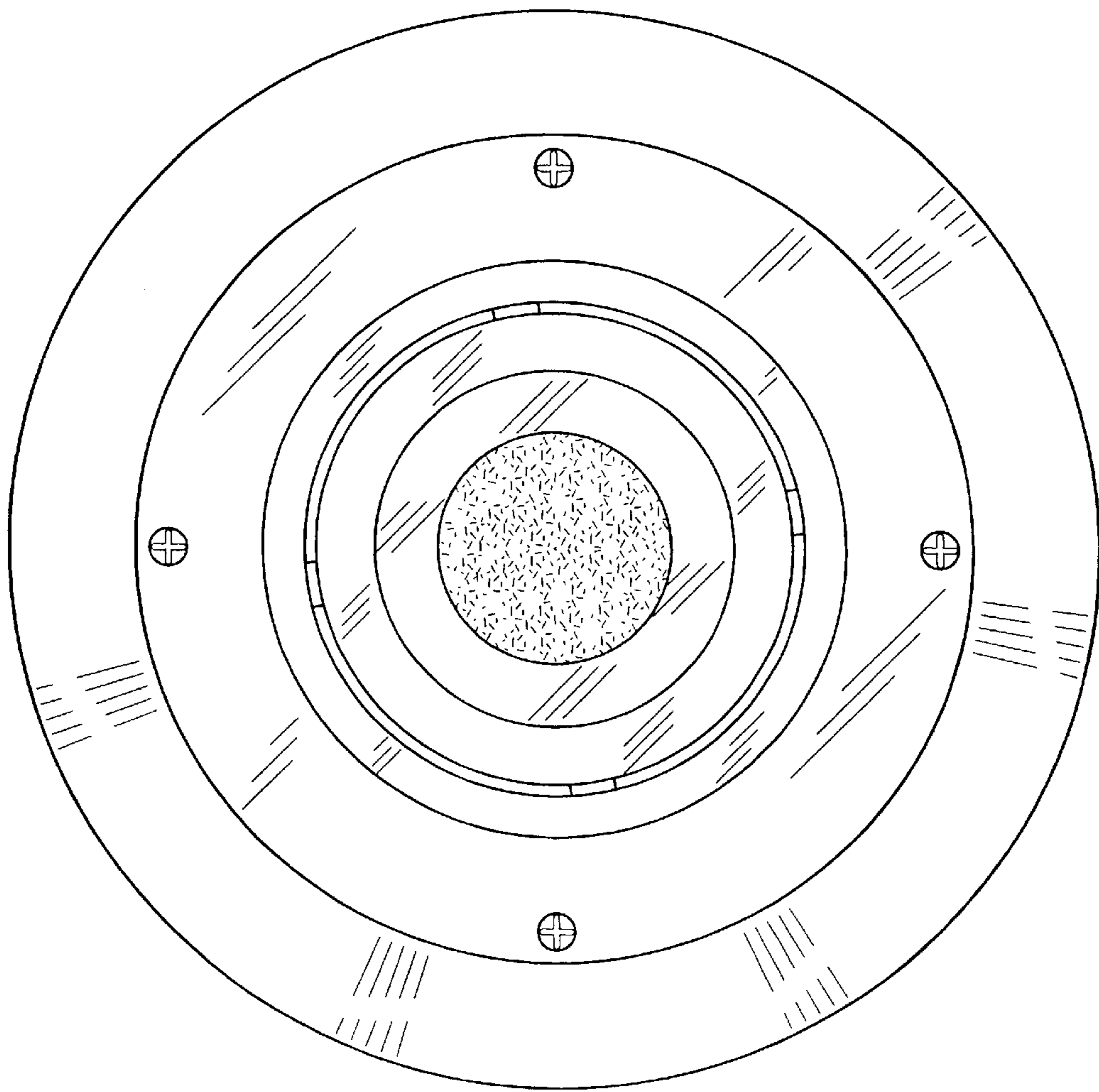




FIG. 5

