



US00D478693S

(12) **United States Design Patent**
Steinbacher

(10) **Patent No.:** **US D478,693 S**

(45) **Date of Patent:** **** Aug. 19, 2003**

(54) **ANIMAL FEEDER**

5,947,056 A * 9/1999 Zarski 119/61
6,067,935 A * 5/2000 Rodes 119/72

(75) Inventor: **Kurt Steinbacher**, Knoxville, TN (US)

OTHER PUBLICATIONS

(73) Assignee: **Radio Systems Corporation**,
Knoxville, TN (US)

Robert Afortune's Almanac Holiday 1989, Animal Feeder.

(**) Term: **14 Years**

* cited by examiner

(21) Appl. No.: **29/160,312**

Primary Examiner—Pamela Burgess

(22) Filed: **May 8, 2002**

(74) *Attorney, Agent, or Firm*—Pitts & Brittan, P.C.

(51) **LOC (7) Cl.** **30-03**

(52) **U.S. Cl.** **D30/130**

(58) **Field of Search** D30/130, 131,
D30/122, 121; 119/51.1, 51.11, 51.12, 51.5,
53.5, 72, 75; D24/226; D3/201, 203, 283;
D6/515; D9/339, 432; 222/460, 480, 561,
545; 221/263, 268, 195, 152, 89, 98, 66

(57) **CLAIM**

The ornamental design for an animal feeder, as shown and described.

DESCRIPTION

(56) **References Cited**

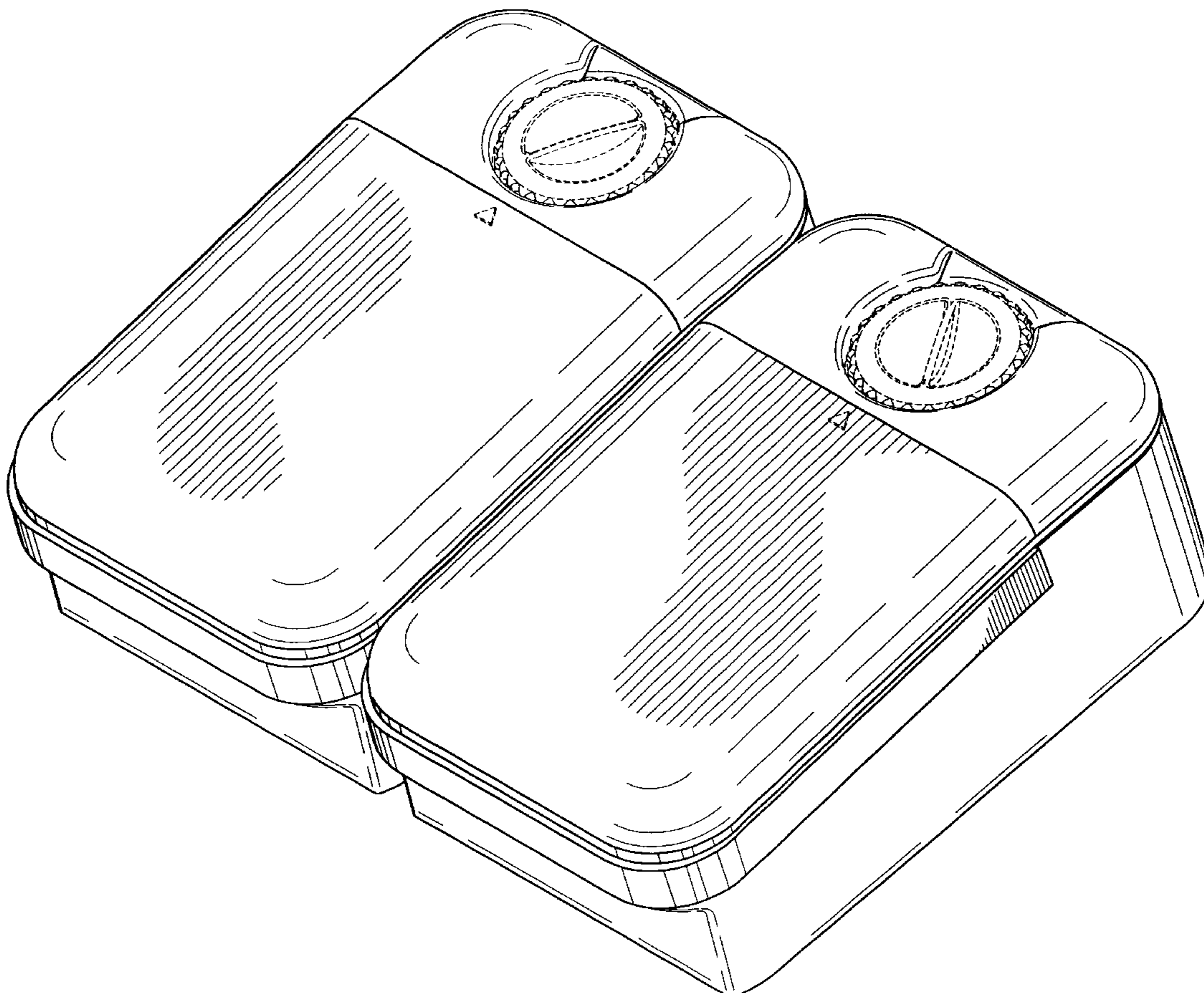
U.S. PATENT DOCUMENTS

1,048,344 A * 12/1912 Risbon 222/585
D254,454 S * 3/1980 Clugston D30/130
D312,334 S 11/1990 Kirk
D335,370 S 5/1993 Kirk
D394,747 S * 6/1998 Cuypers D3/295

FIG. 1 is a perspective view of an animal feeder of the present invention;
FIG. 2 is a top plan view thereof;
FIG. 3 is a right side elevation view, the left side elevation view being a mirror image thereof;
FIG. 4 is a rear elevation view thereof; and,
FIG. 5 is a front elevation view thereof.

The features of the animal feeder shown in broken lines are for illustrative purposes only and form no part of the claimed design.

1 Claim, 3 Drawing Sheets



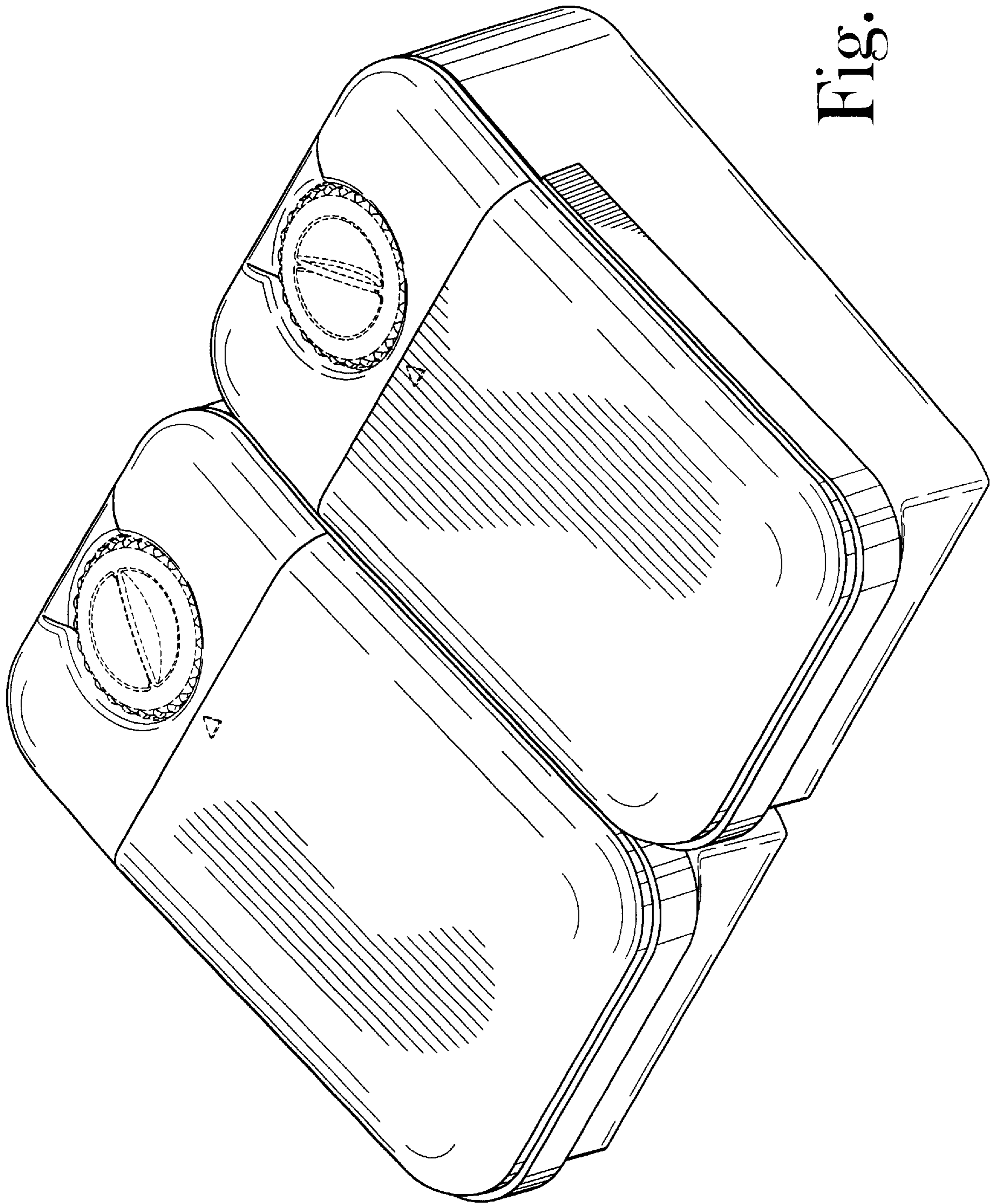


Fig. 1

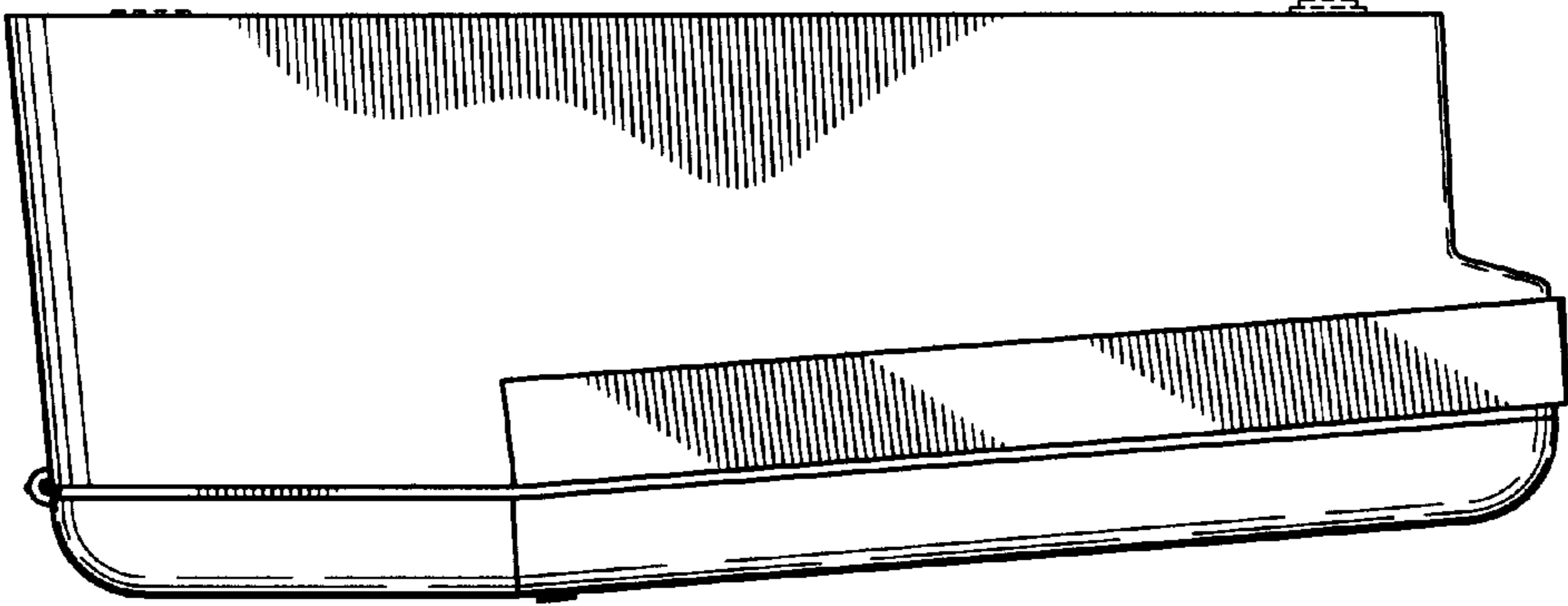


Fig. 3

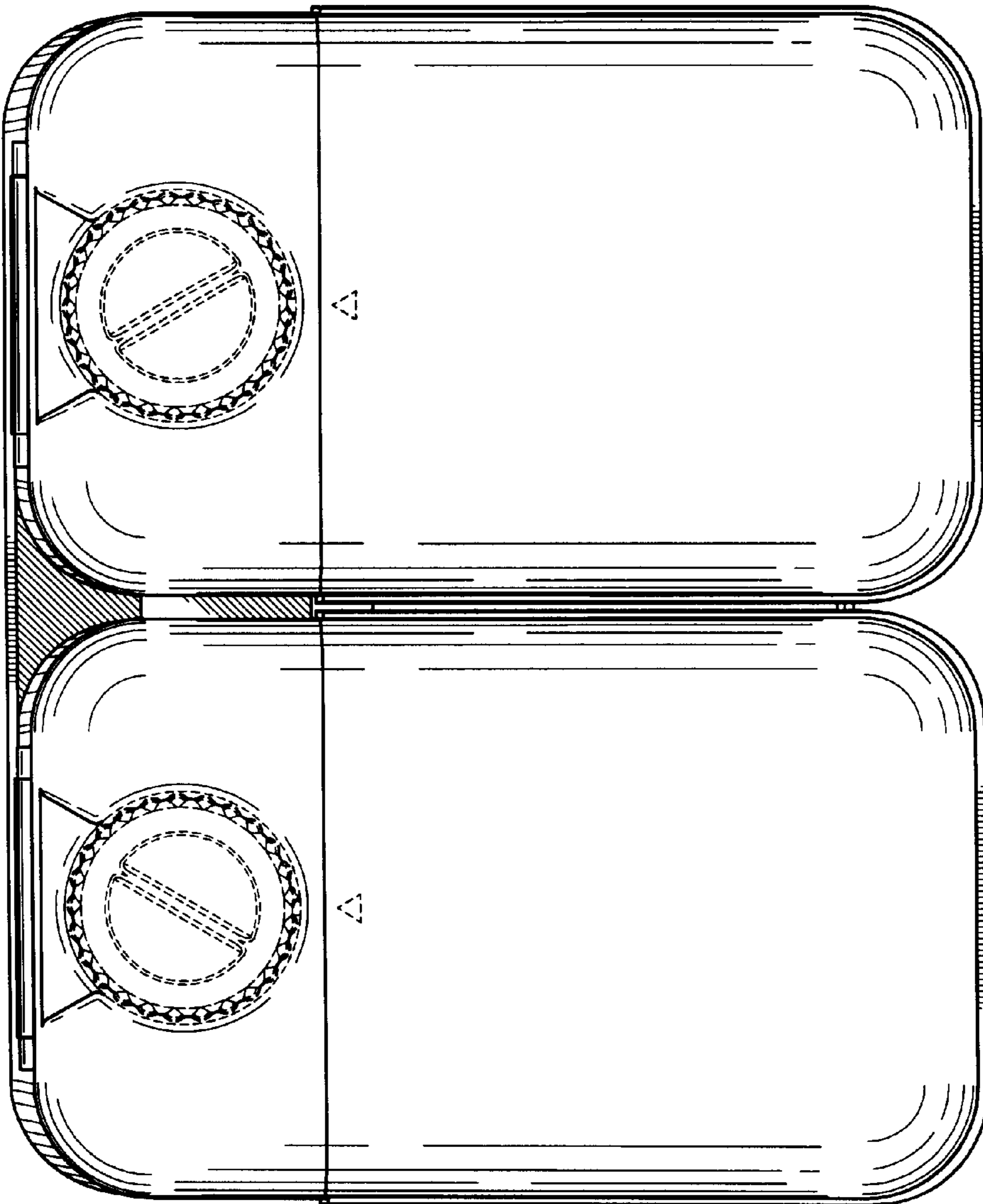


Fig. 2

Fig. 4

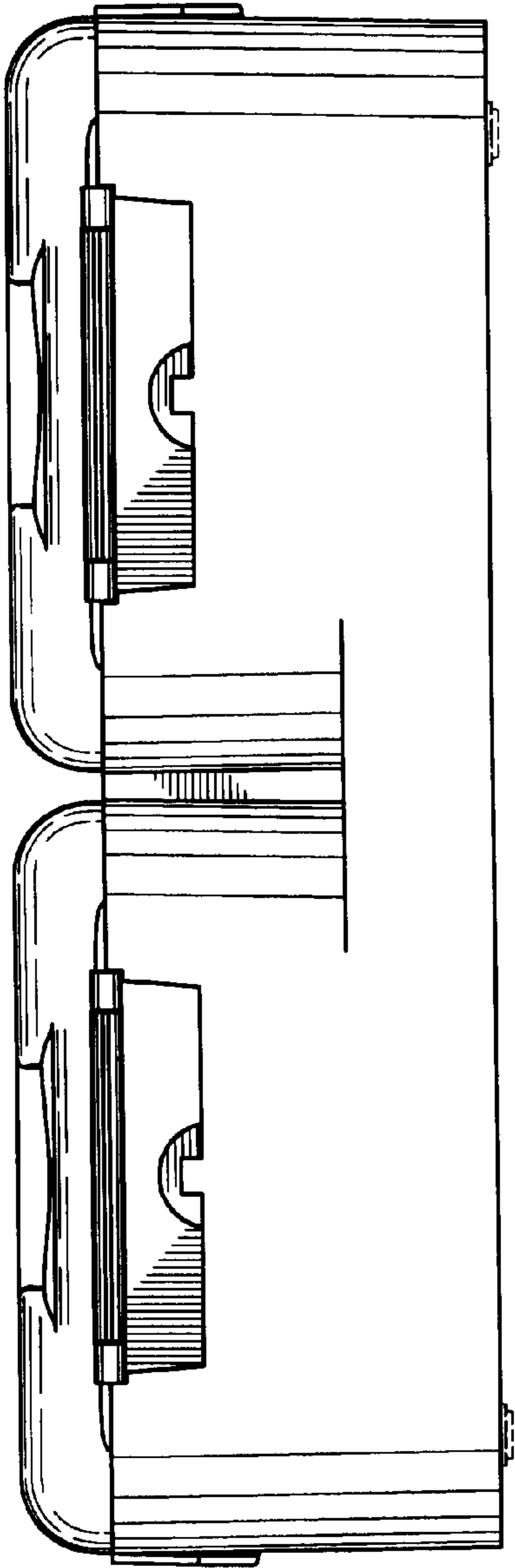


Fig. 5

