



US00D478682S

(12) **United States Design Patent**
Abry

(10) **Patent No.:** **US D478,682 S**

(45) **Date of Patent:** **** Aug. 19, 2003**

(54) **MEDICAL LAMP HEAD**

D441,476 S * 5/2001 Mendelsohn et al. D26/63

(75) Inventor: **Emil Abry, Oslo (NO)**

* cited by examiner

(73) Assignee: **Photocure ASA, Oslo (NO)**

Primary Examiner—Alan P. Douglas

Assistant Examiner—Linda Brooks

(**) Term: **14 Years**

(74) *Attorney, Agent, or Firm*—Kenyon & Kenyon

(21) Appl. No.: **29/151,458**

(57) **CLAIM**

(22) Filed: **Dec. 6, 2001**

The ornamental design for a medical lamp head, as shown and described.

(30) **Foreign Application Priority Data**

DESCRIPTION

Jun. 7, 2001 (GB) 2102379

(51) **LOC (7) Cl.** **26-05**

(52) **U.S. Cl.** **D26/65**

(58) **Field of Search** D26/61–66, 93–112;
362/23, 28, 89, 97, 98, 269–275, 277–289,
418, 419, 427, 804

FIG. 1 is a top perspective view showing the medical lamp head of my new design.

FIG. 2 is an enlarged top view thereof;

FIG. 3 is a bottom perspective view of FIG. 2;

FIG. 4 is a top plan view of FIG. 2;

FIG. 5 is a bottom plan view of FIG. 2;

FIG. 6 is a right side elevation view of FIG. 2;

FIG. 7 is a left side elevation view of FIG. 2;

FIG. 8 is a front end elevation view of FIG. 2; and,

FIG. 9. is a back end elevation view of FIG. 2.

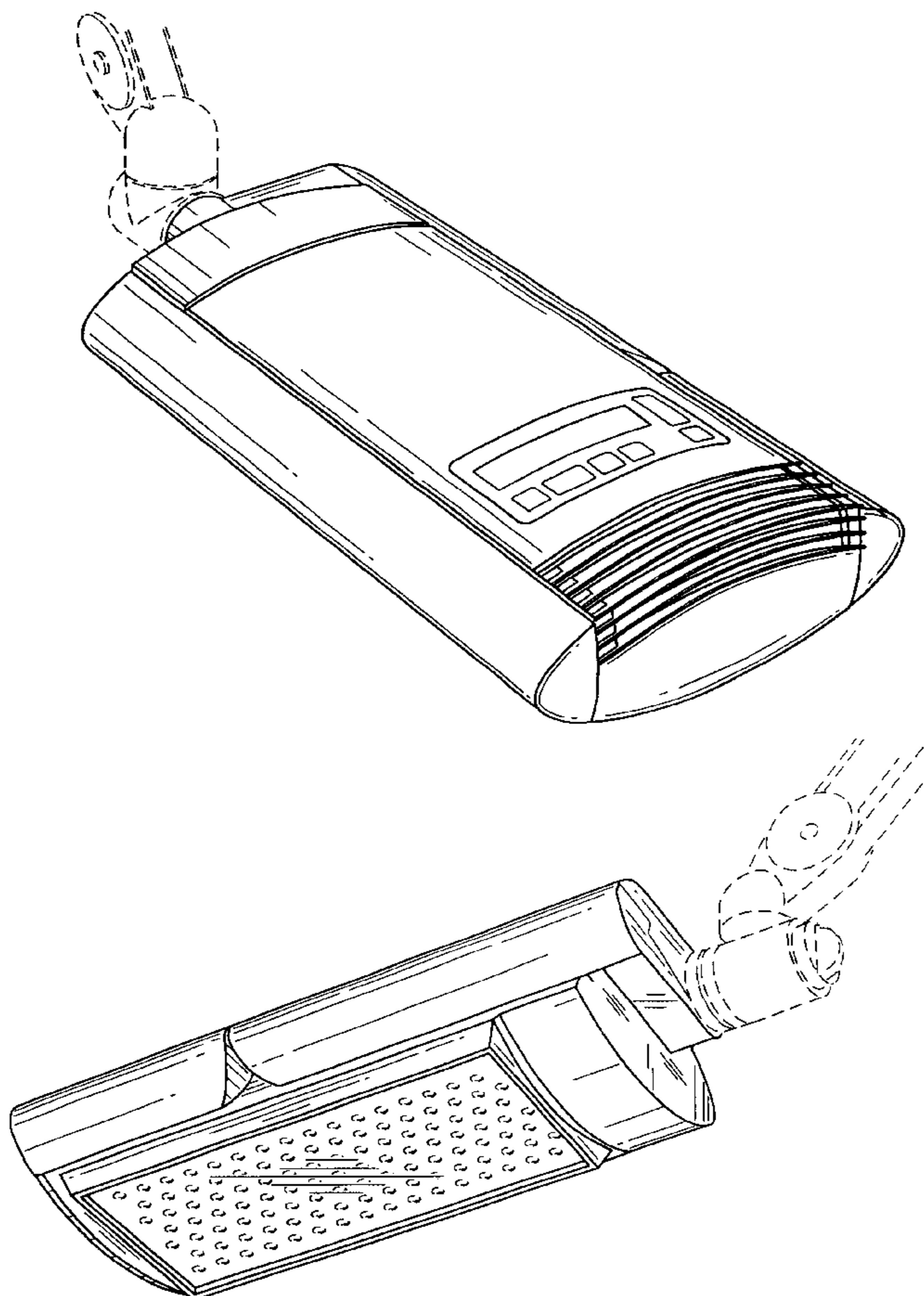
(56) **References Cited**

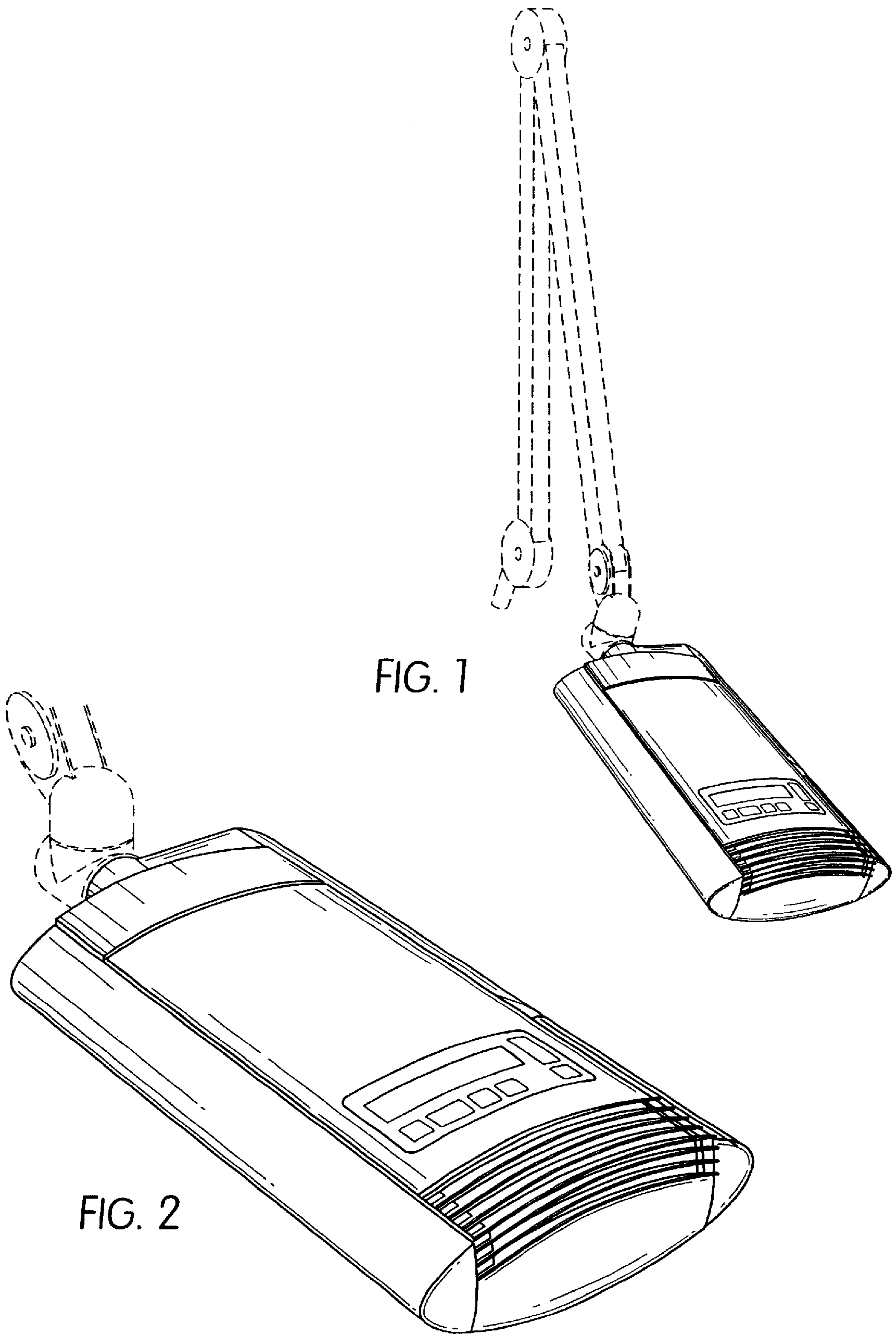
U.S. PATENT DOCUMENTS

- D280,030 S * 8/1985 Matthews D26/65 X
- D417,303 S * 11/1999 Rahn D26/63
- D437,957 S * 2/2001 Borders et al. D26/65
- 6,203,175 B1 * 3/2001 Basacchi 362/287

The structure of the lamp, other than the head, shown in the drawings as broken lines is for illustrative purposes only and is not a part of the design sought to be patented or claimed.

1 Claim, 4 Drawing Sheets





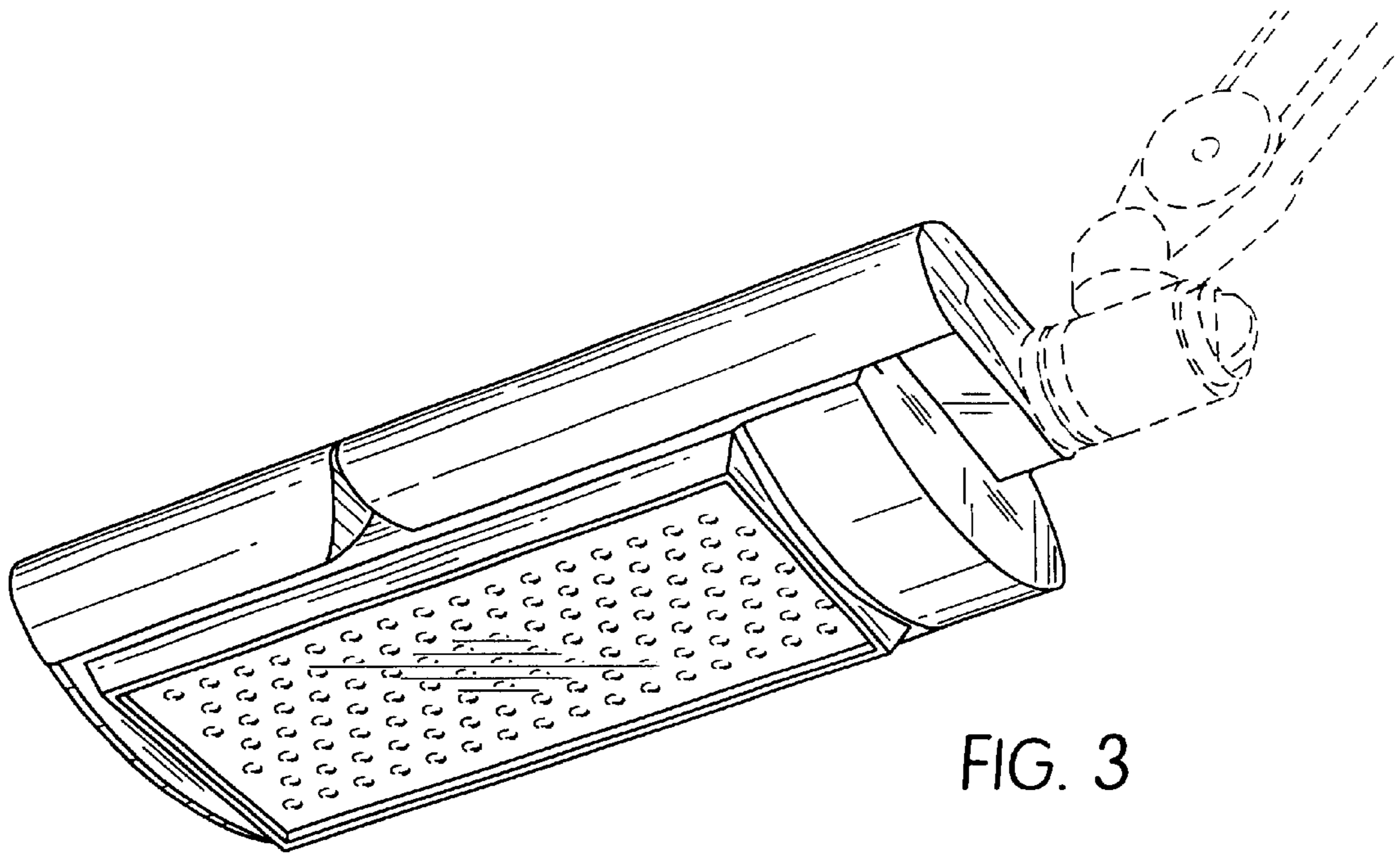


FIG. 3

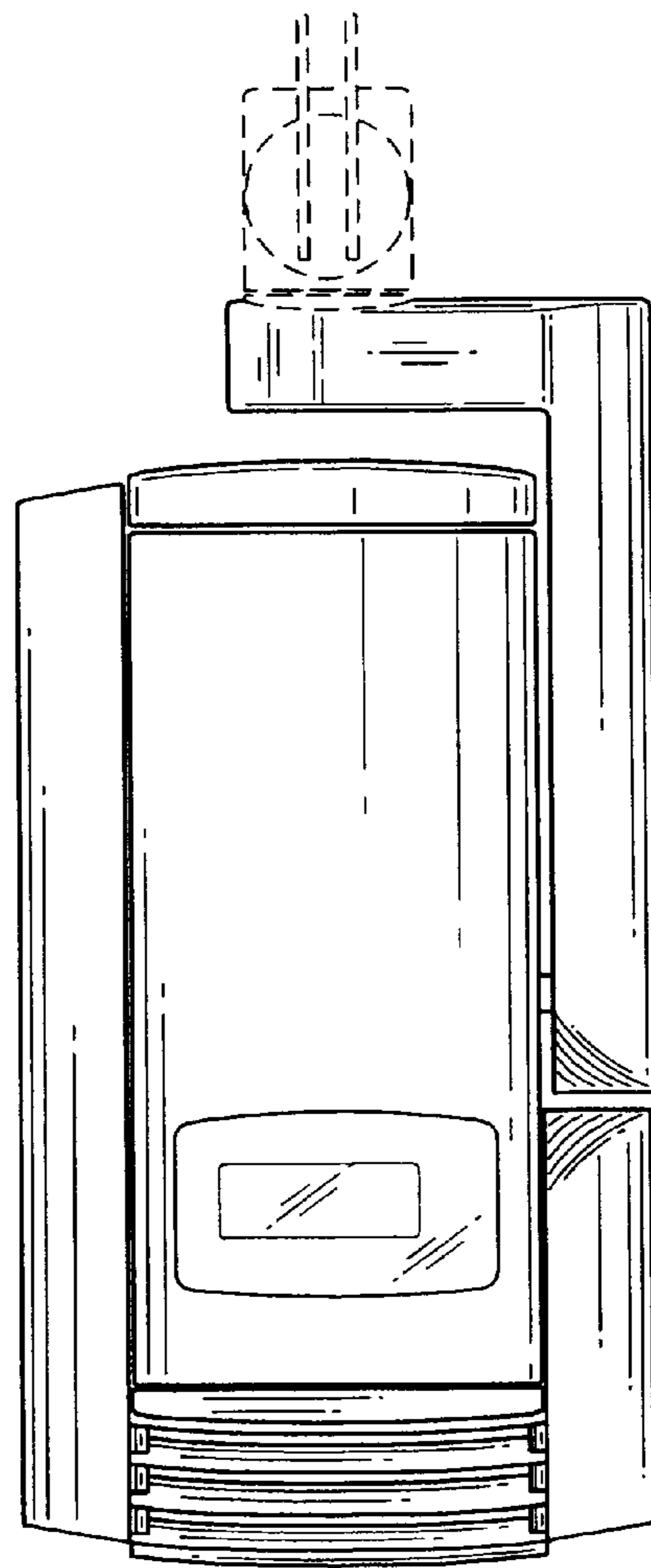


FIG. 4

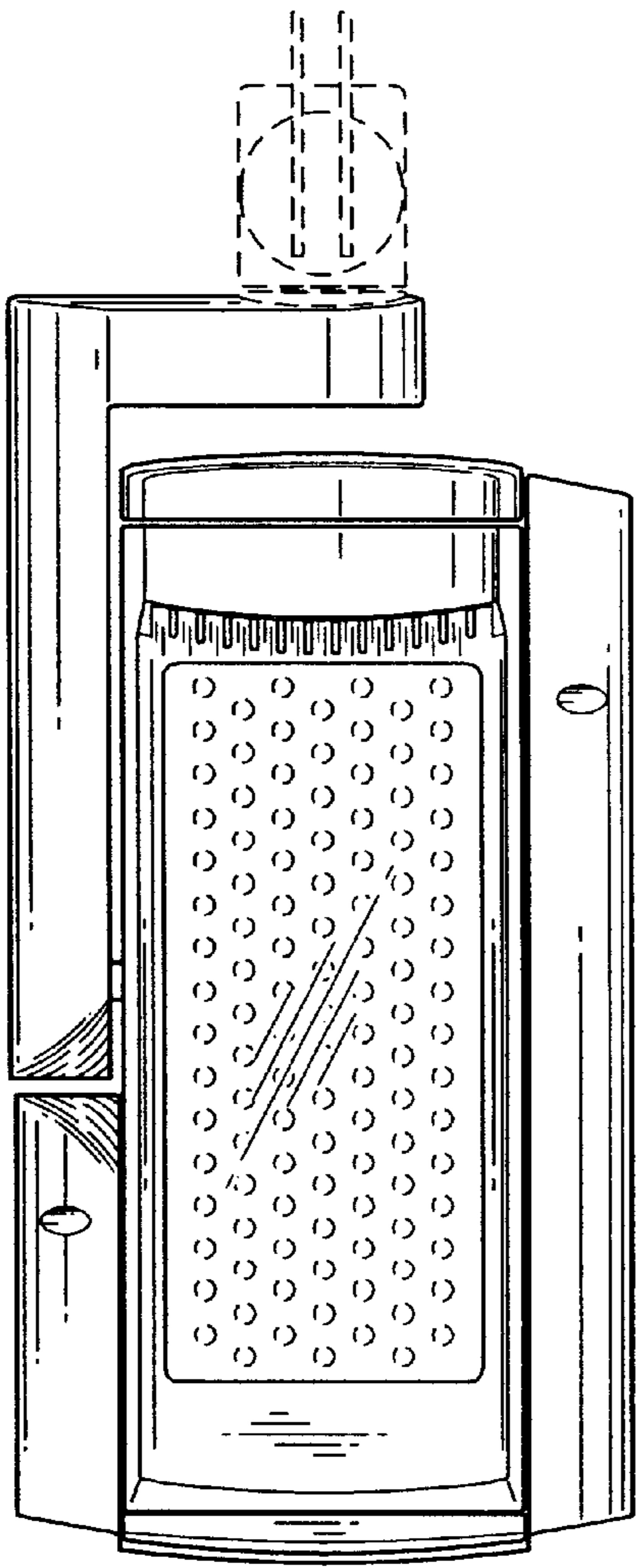


FIG. 5

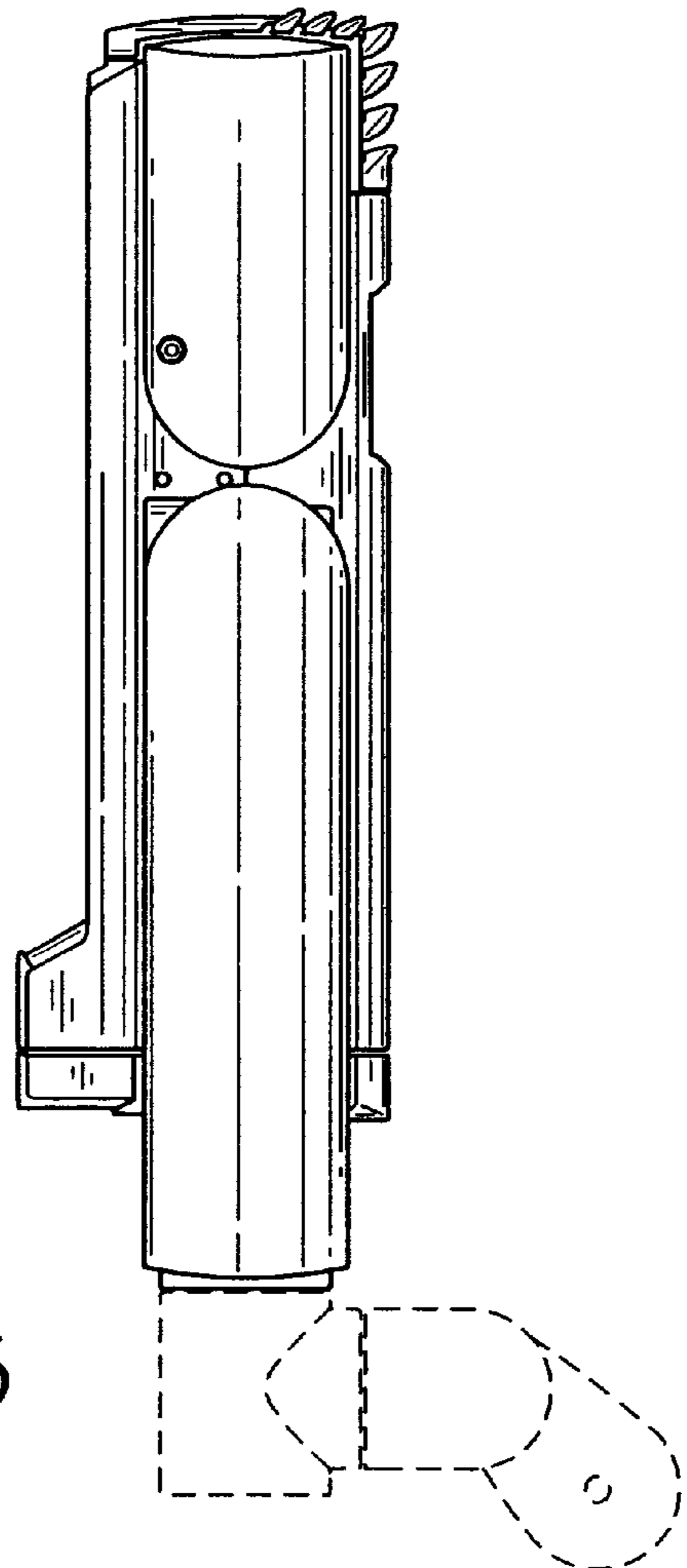


FIG. 6

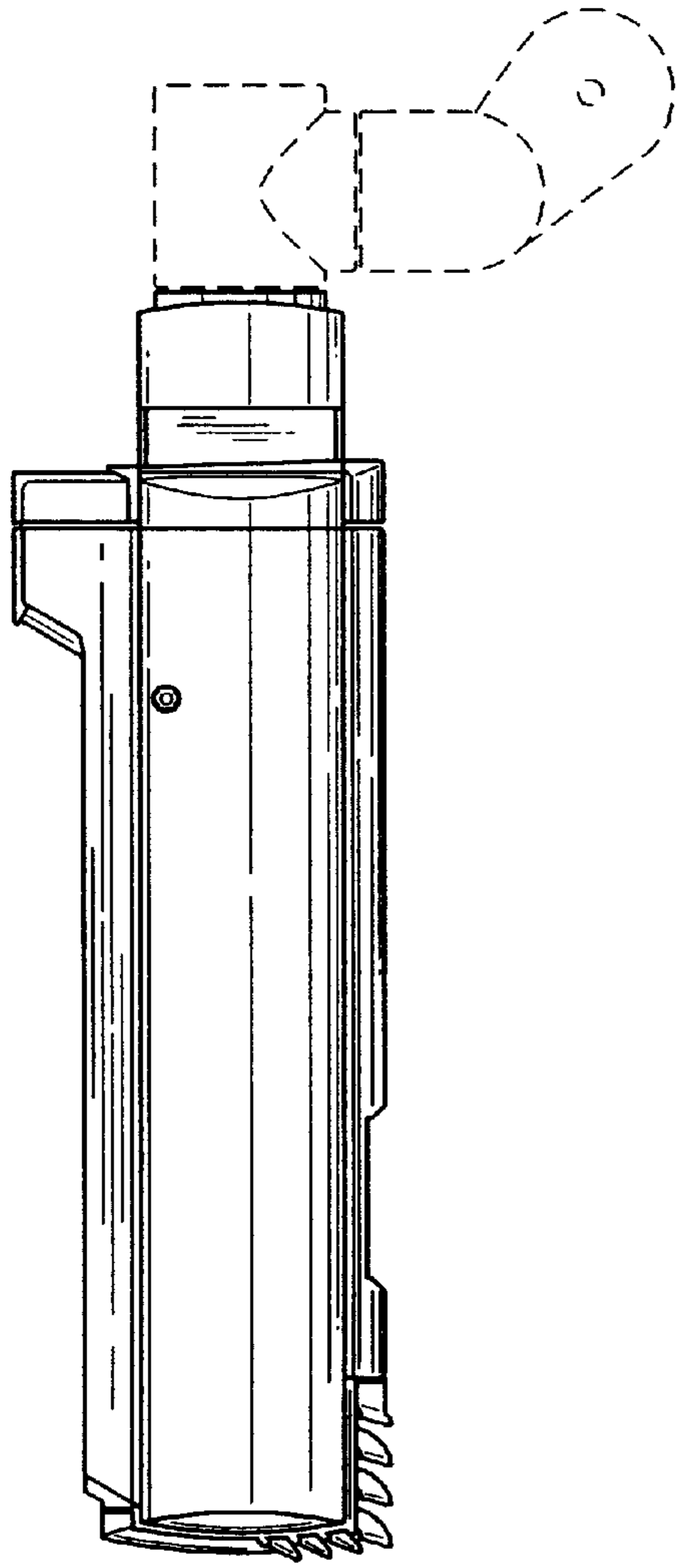


FIG. 7

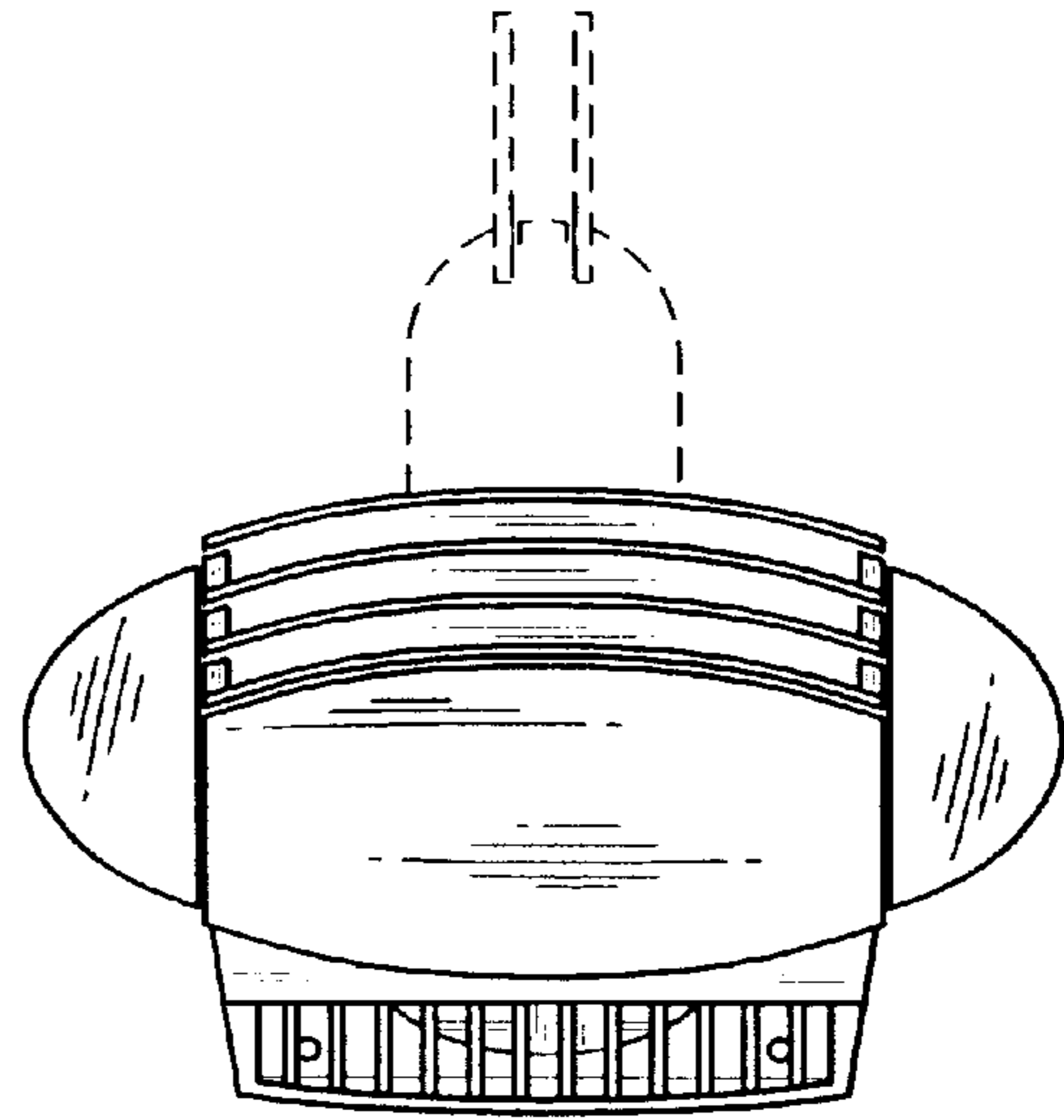


FIG. 8

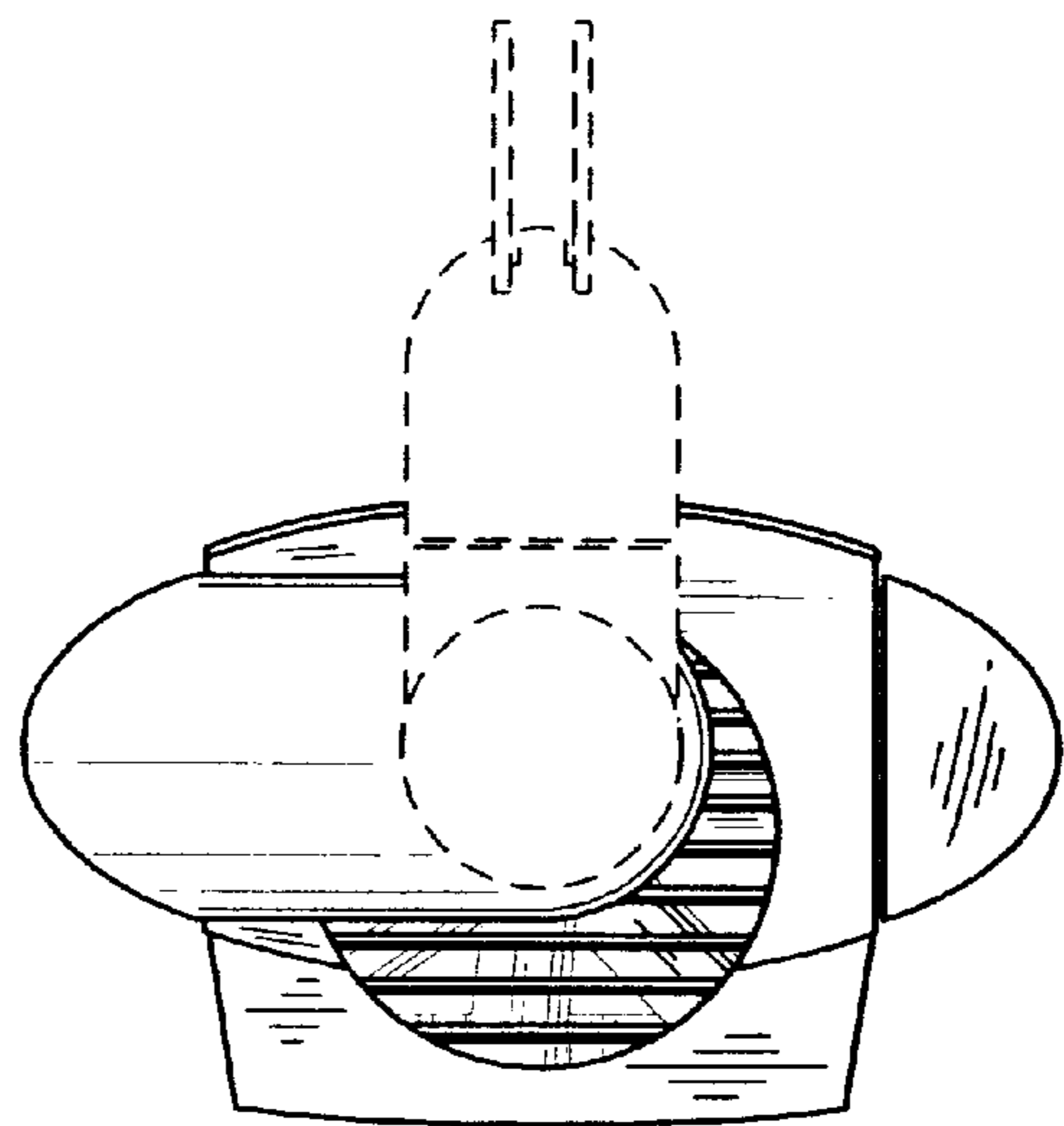


FIG. 9