



US00D478681S

(12) **United States Design Patent**
Newcomb

(10) **Patent No.:** **US D478,681 S**

(45) **Date of Patent:** **** Aug. 19, 2003**

(54) **GLOW IN THE DARK EGG**

(76) Inventor: **Corky Newcomb**, P.O. Box 468, Mirror Lake, NH (US) 03853

(**) Term: **14 Years**

(21) Appl. No.: **29/169,866**

(22) Filed: **Oct. 28, 2002**

(51) **LOC (7) Cl.** **26-06**

(52) **U.S. Cl.** **D26/4**

(58) **Field of Search** D26/1, 2, 3, 4, D26/37; 313/113, 128, 129, 130, 131, 315, 318; 362/326, 334, 335, 337, 351, 358

(56) **References Cited**

U.S. PATENT DOCUMENTS

| | | | |
|-------------|-----------|------------|----------|
| 4,219,959 A | 9/1980 | Fleischer | 46/1 R |
| 5,413,332 A | 5/1995 | Montgomery | 273/58 R |
| D411,322 S | * 6/1999 | Suzuki | D26/37 |
| D467,361 S | * 12/2002 | Chanc | D26/4 |

OTHER PUBLICATIONS

British Internet Advertisement 2002 "Glow Egg".

* cited by examiner

Primary Examiner—Marcus A. Jackson

(74) *Attorney, Agent, or Firm*—Ernest V. Linek; Banner & Witcoff, Ltd.

(57) **CLAIM**

The ornamental design of a glow in the dark egg, as shown and described.

DESCRIPTION

FIG. 1 is a perspective view of a glow in the dark egg showing the new design;

FIG. 2 is side elevational view of the FIG. 1 glow in the dark egg;

FIG. 3 is a plan view of the interior of the upper half of the FIG. 2 glow in the dark egg;

FIG. 4 is a top view of the FIG. 1 glow in the dark egg, showing the cross-sectional line 7—7 ;

FIG. 5 is a side elevational view (inverted) of the upper half of the FIG. 2 glow in the dark egg;

FIG. 6 is a perspective view of the top half of the FIG. 1 glow in the dark egg;

FIG. 7 is the cross-sectional view of the FIG. 1 glow in the dark egg, showing a glow-stick mounted between the upper and lower halves of the egg;

FIG. 8 is a plan view of the interior of the bottom half of the FIG. 1 glow in the dark egg;

FIG. 9 is a side elevational view of the lower half of the FIG. 2 glow in the dark egg;

FIG. 10 is a perspective view of the lower half of the FIG. 2 glow in the dark egg;

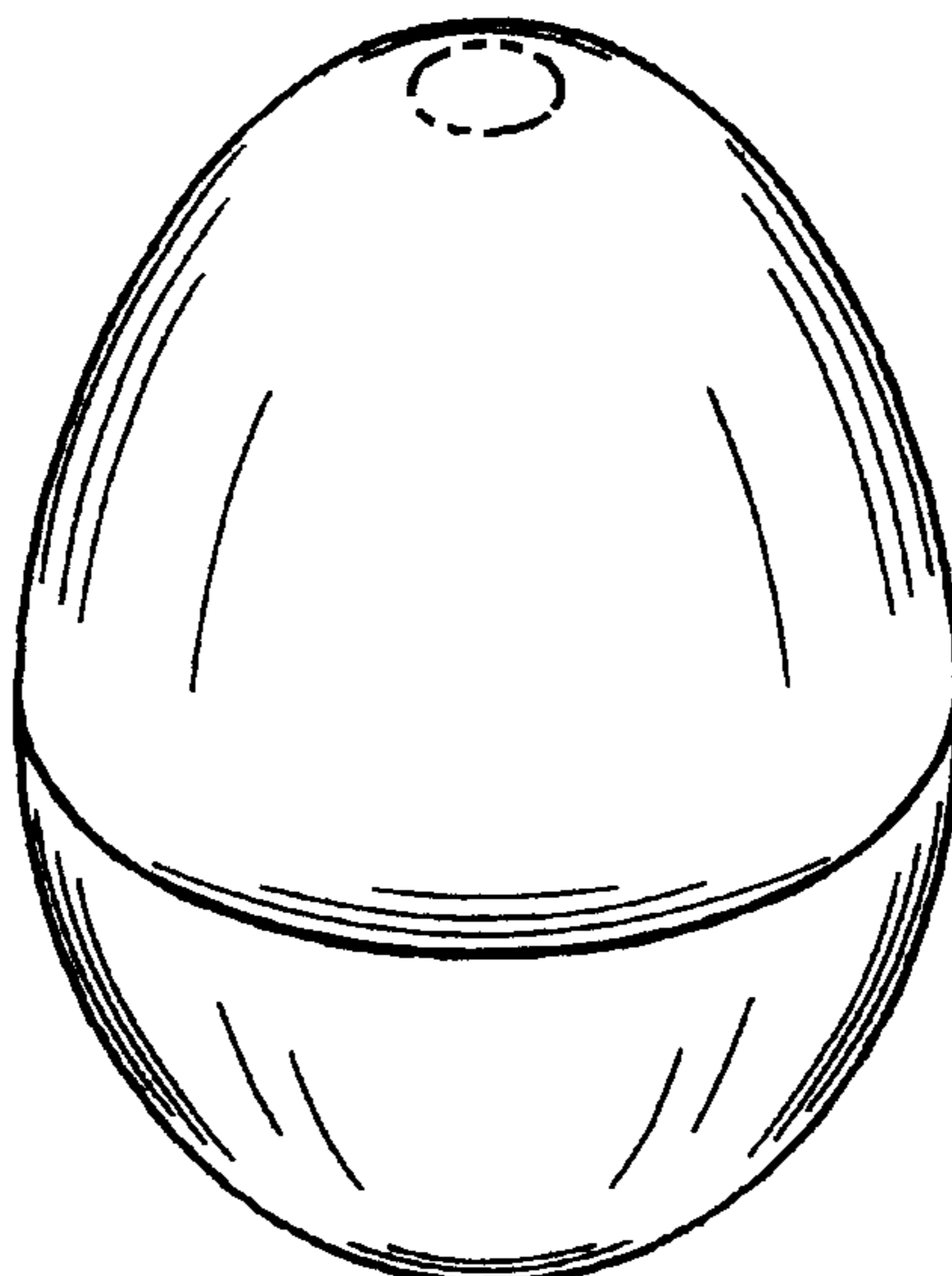
FIG. 11 is an end view of the light-stick shown in FIG. 7;

FIG. 12 is a right side elevational view of the light-stick shown in FIG. 7, the left side view being identical thereto;

FIG. 13 is a plan view of the light-stick shown in FIG. 7; and,

FIG. 14 is a perspective view illustrating the interaction of the three parts of claimed glow in the dark egg.

1 Claim, 2 Drawing Sheets



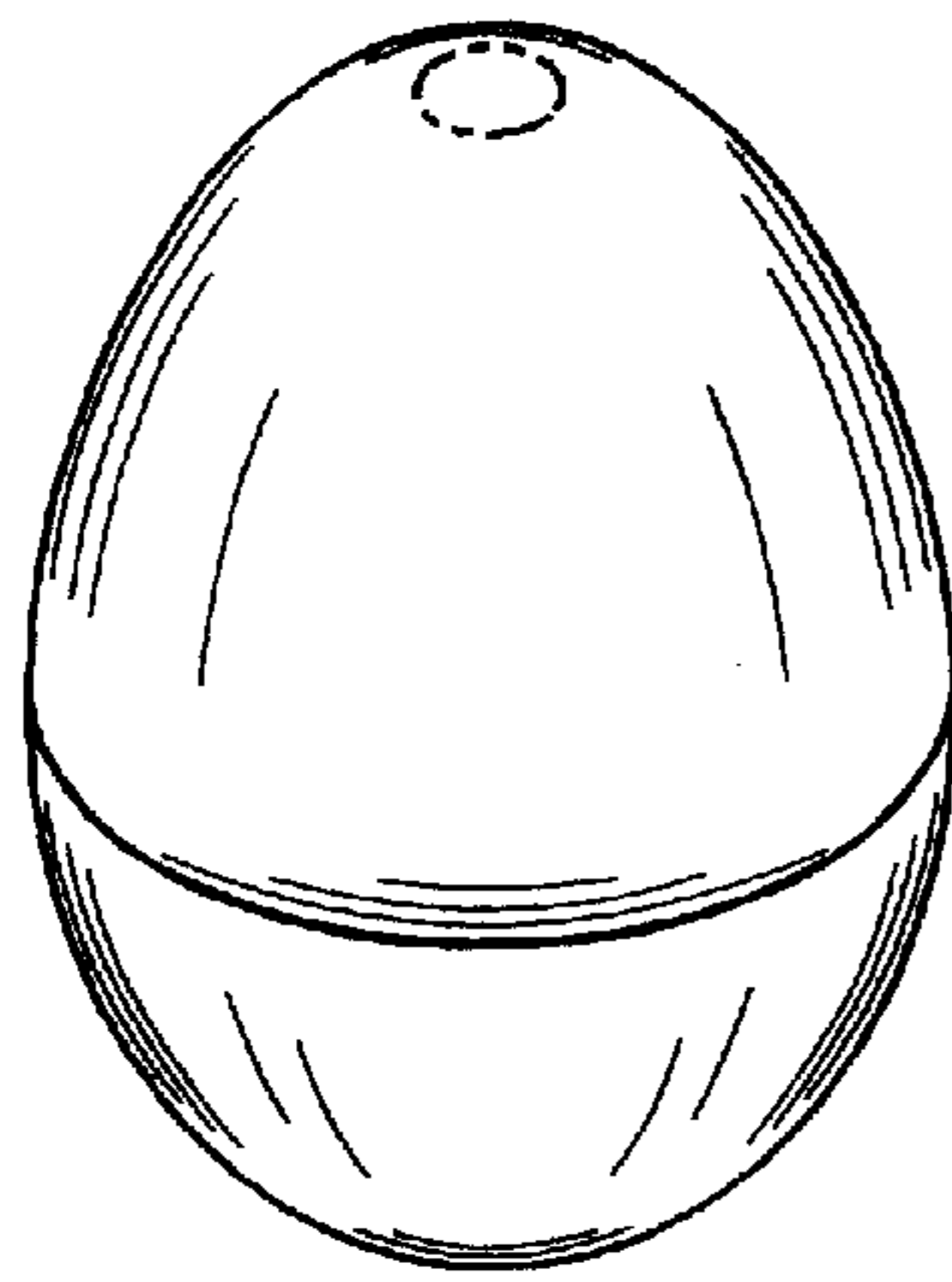


FIG. 1

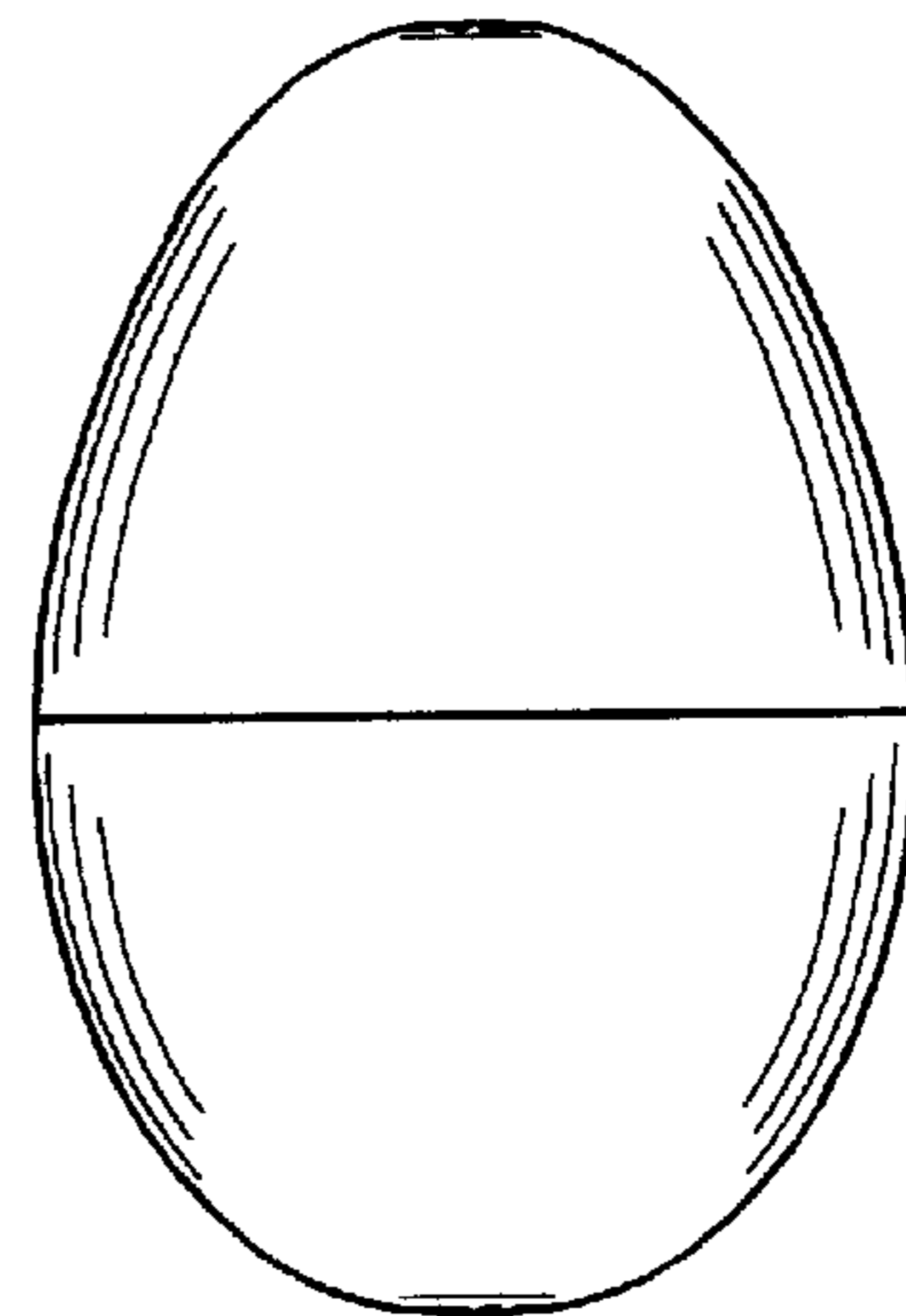


FIG. 2

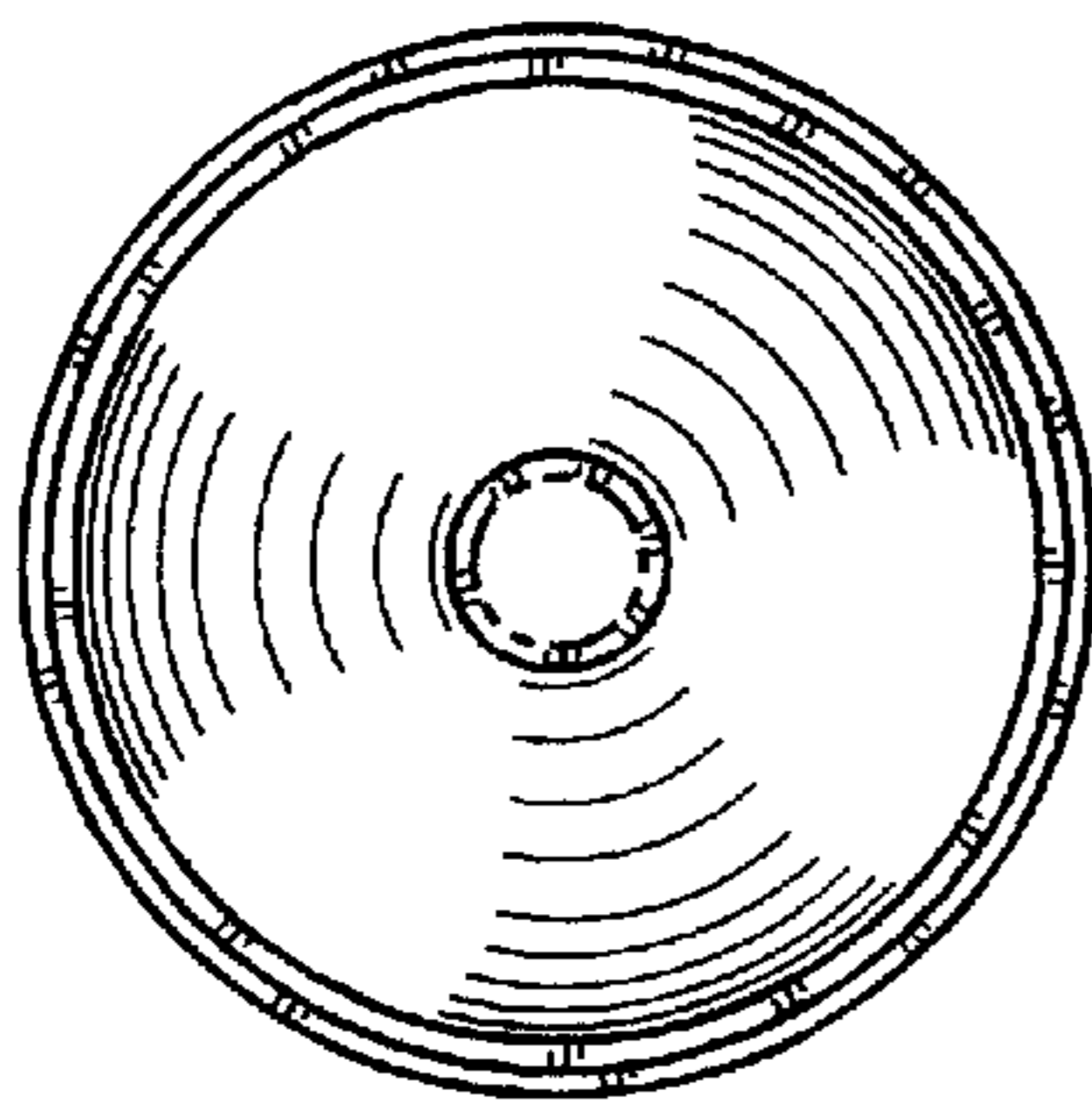


FIG. 3

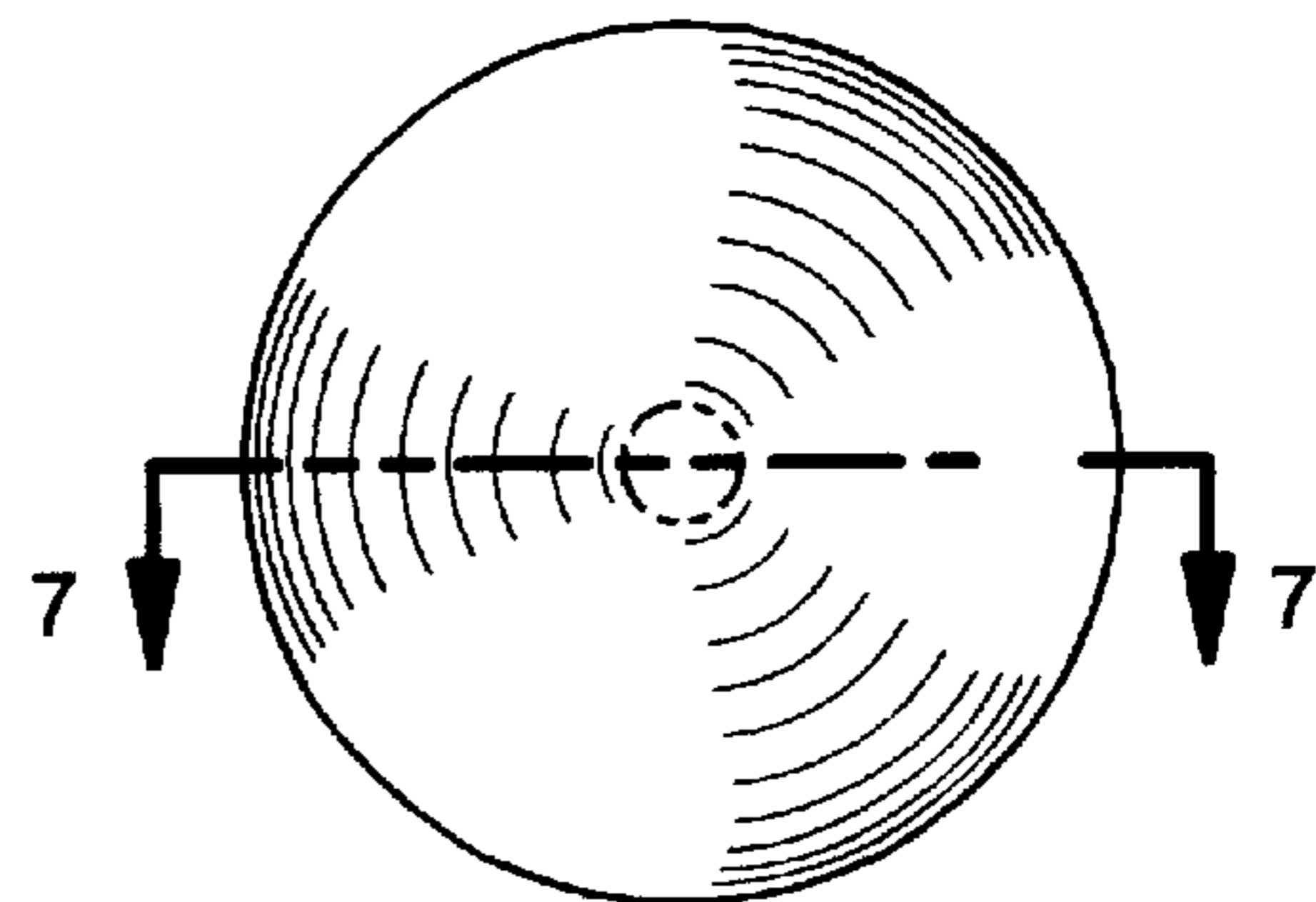


FIG. 4

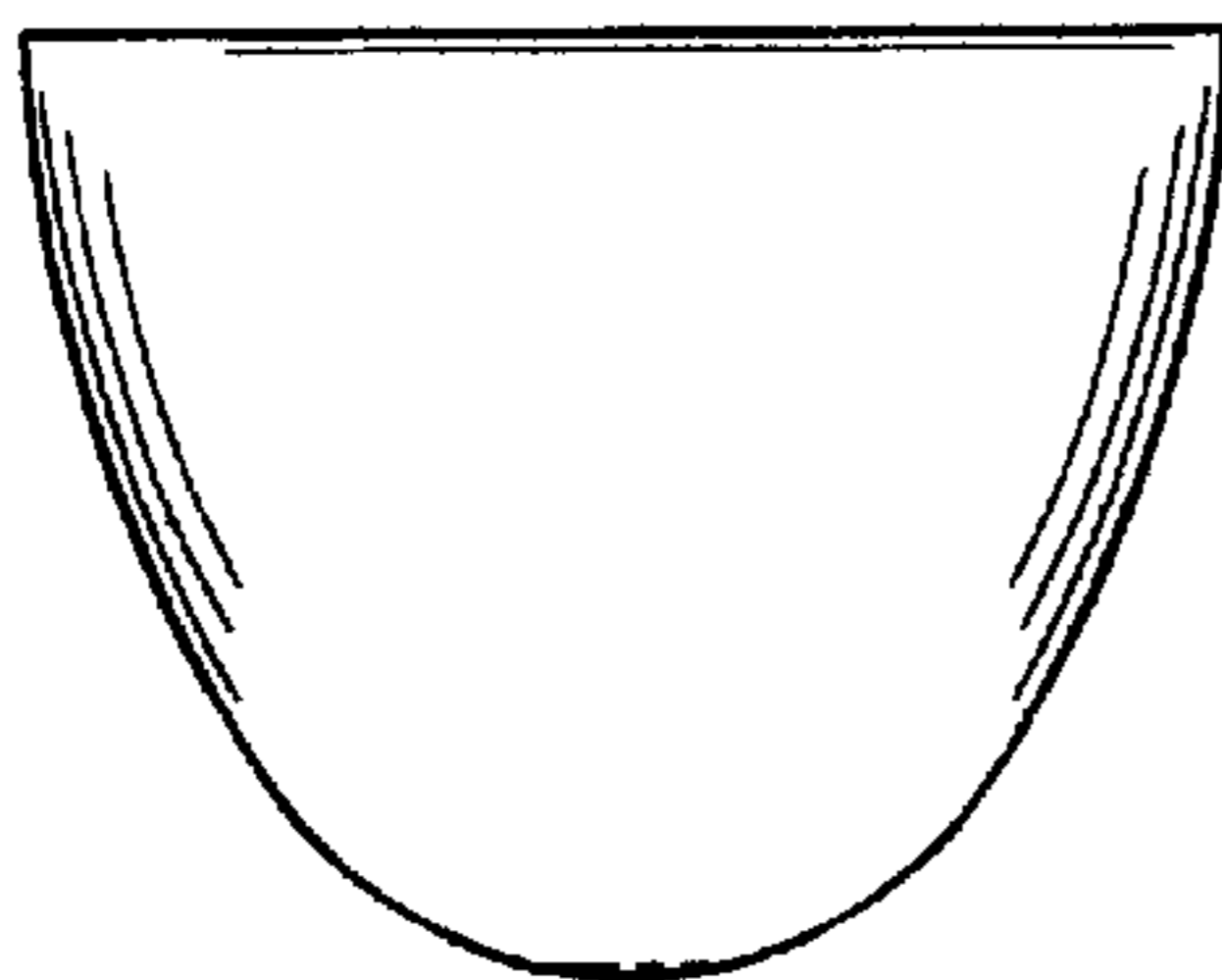


FIG. 5

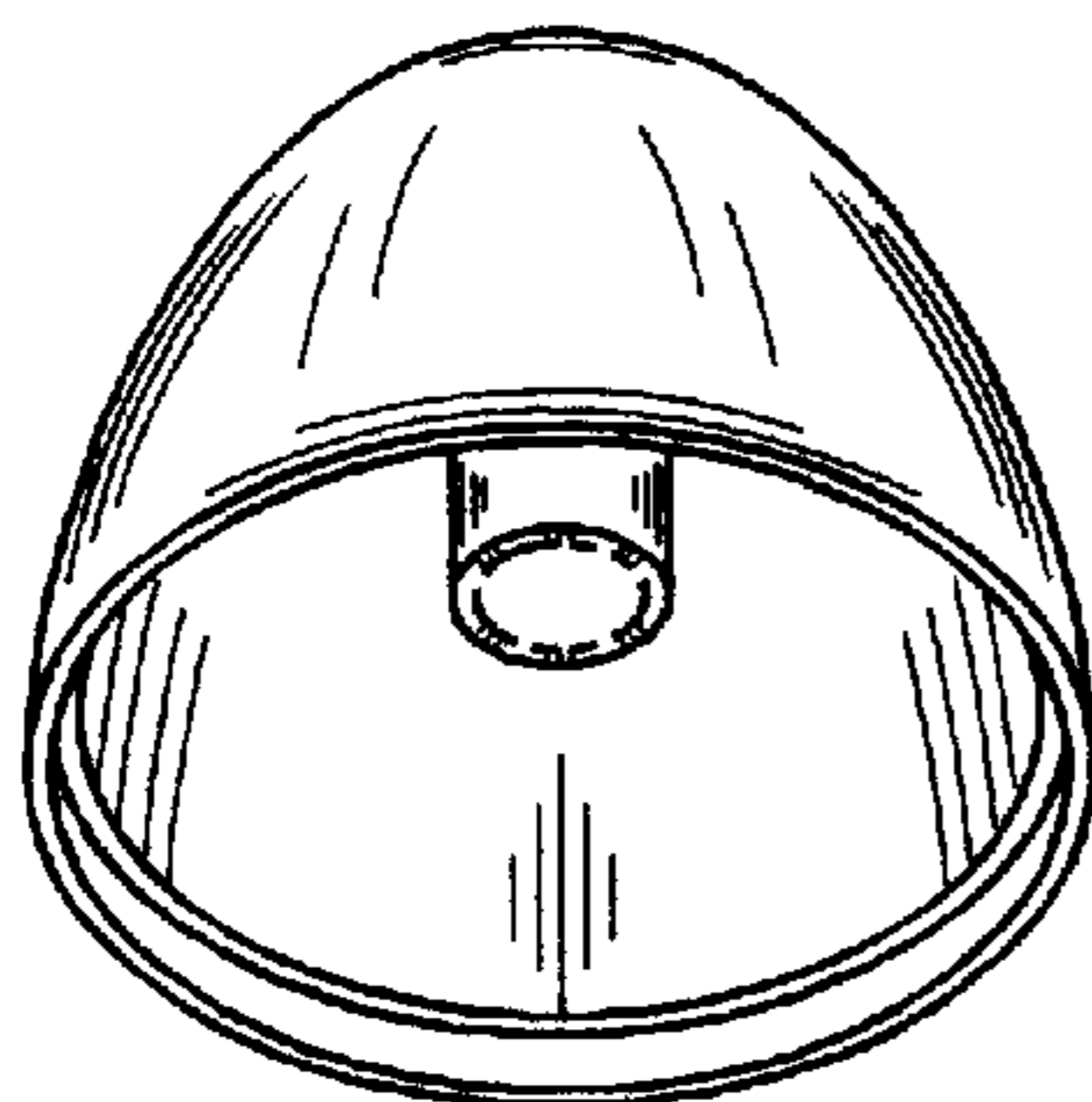


FIG. 6

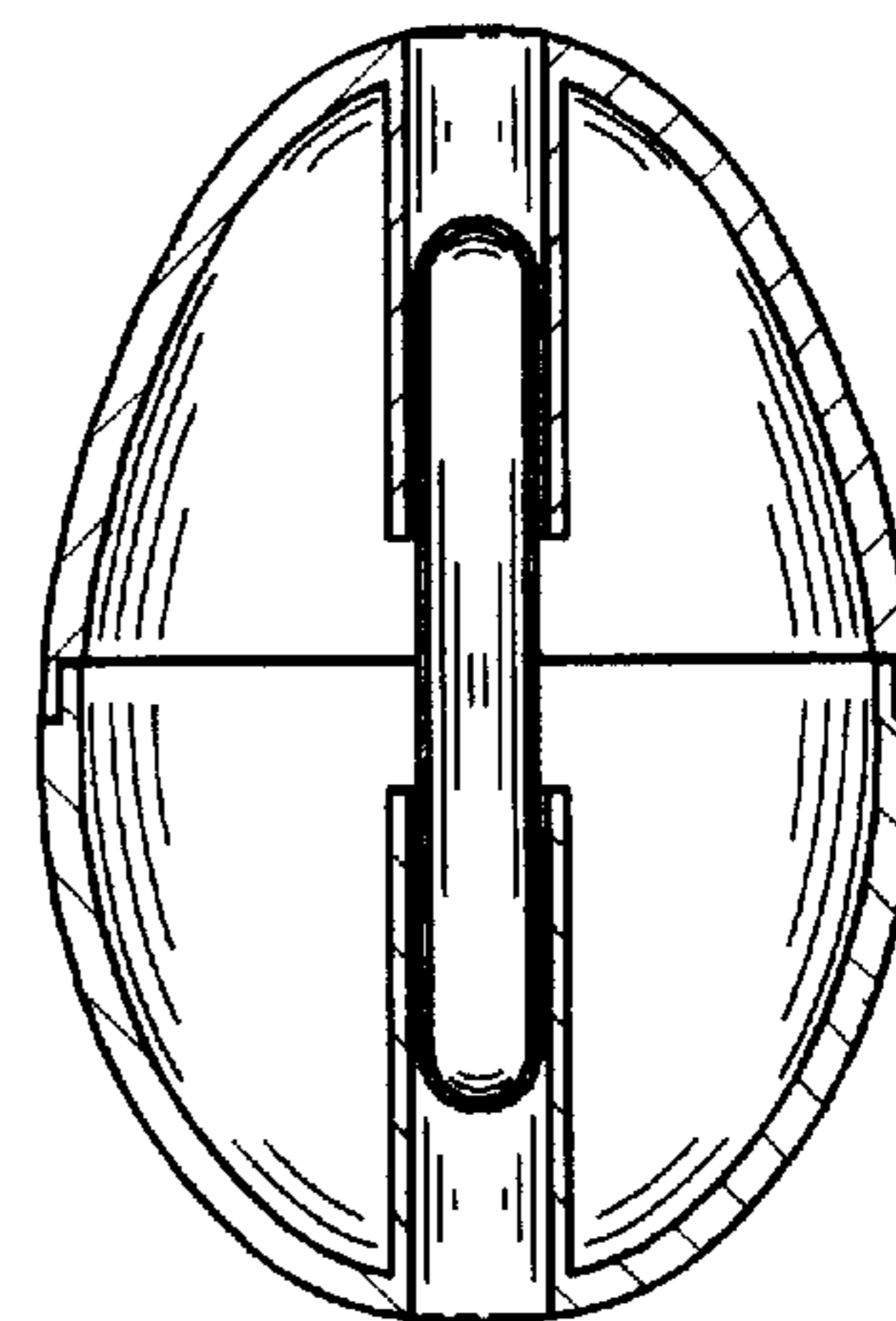


FIG. 7

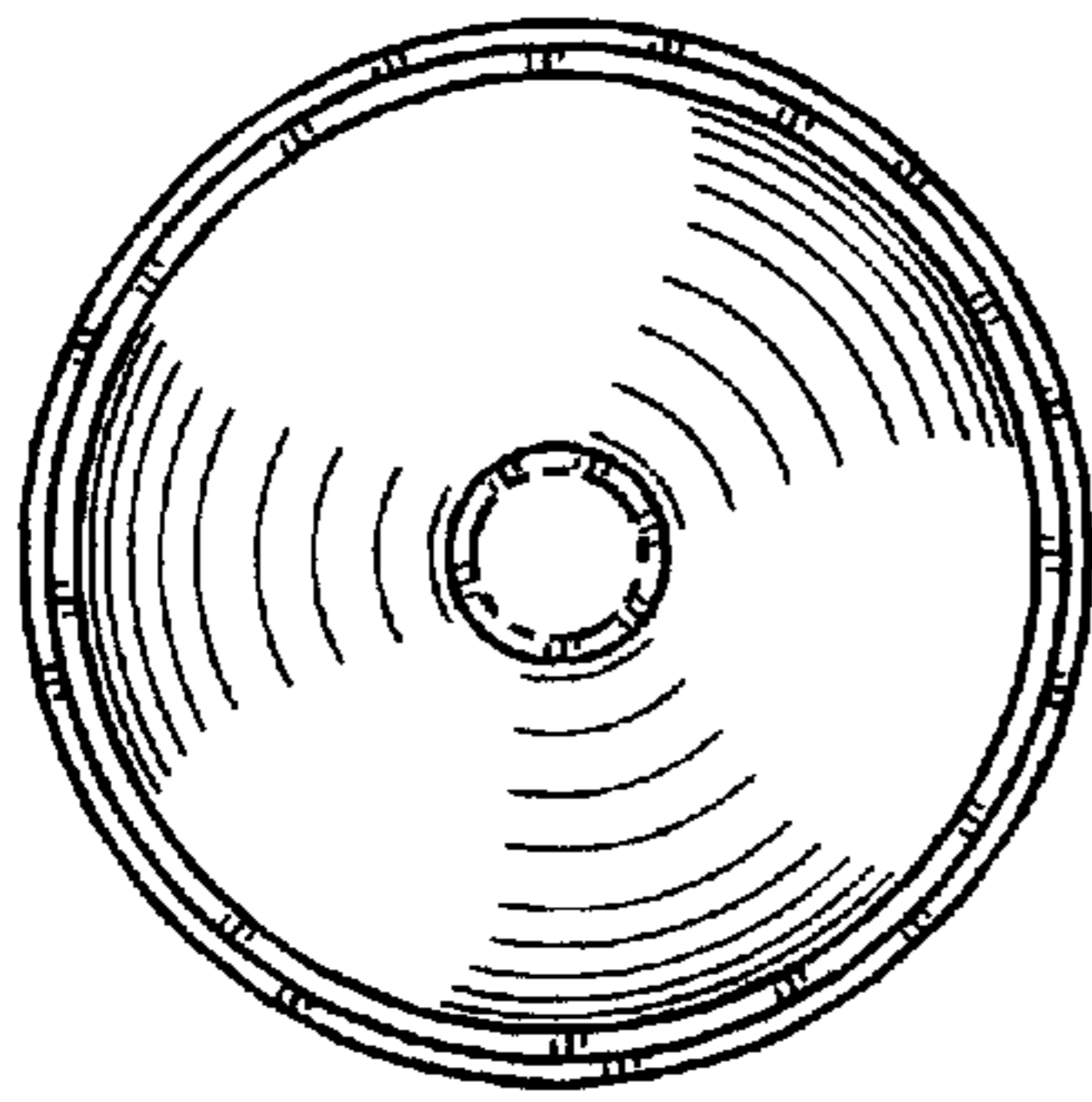


FIG. 8



FIG. 11

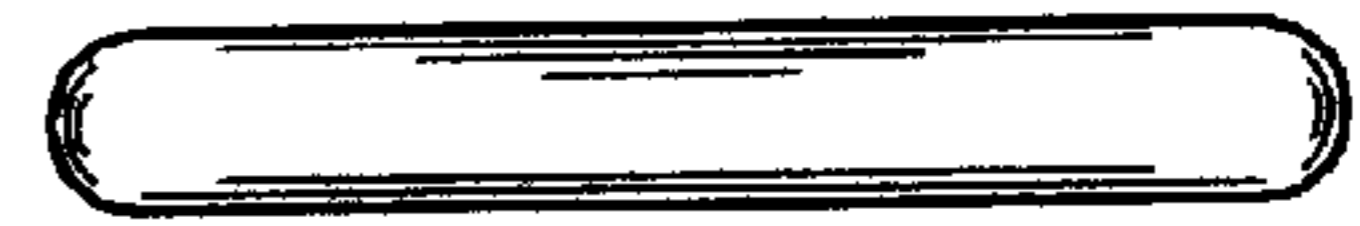


FIG. 12

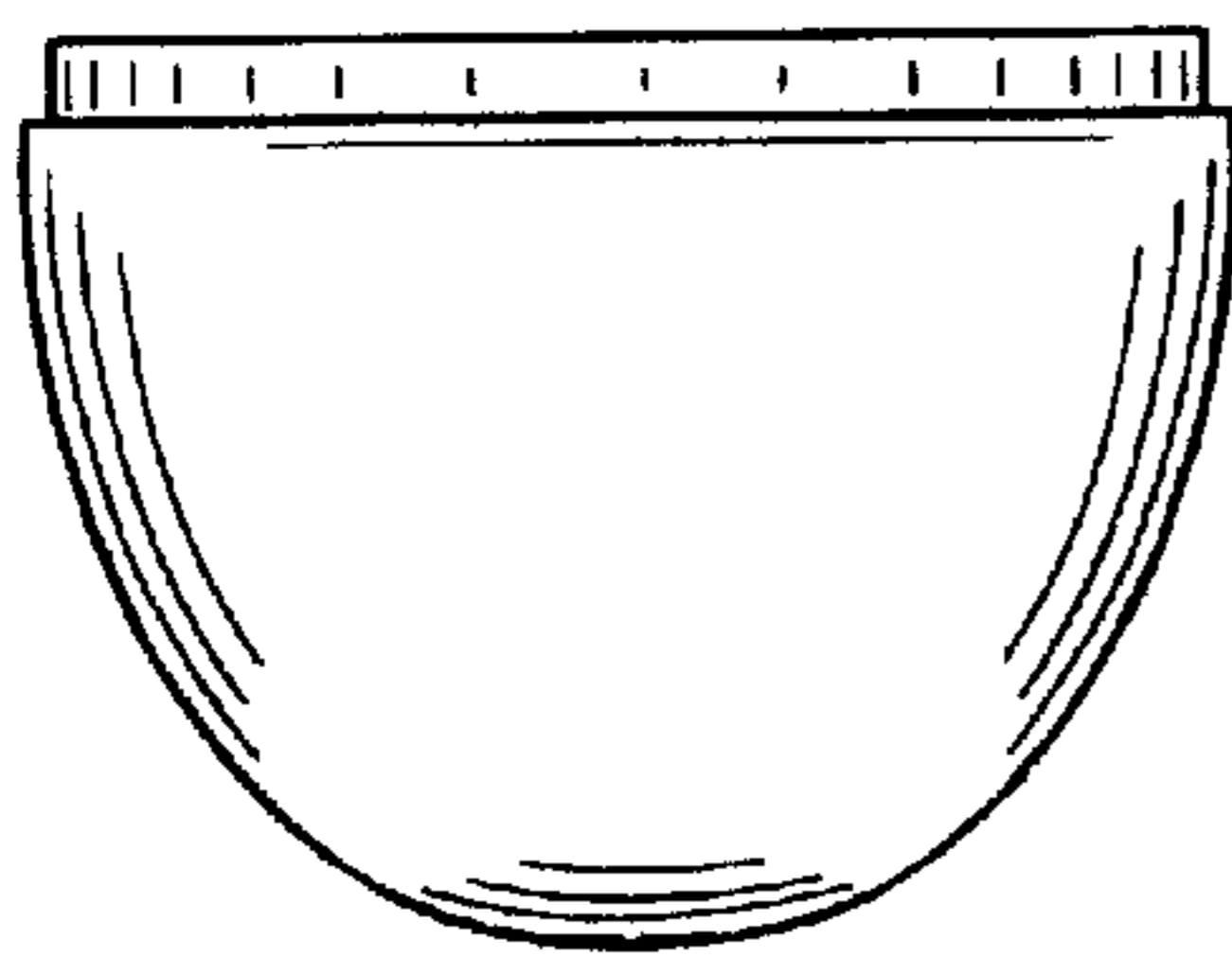


FIG. 9

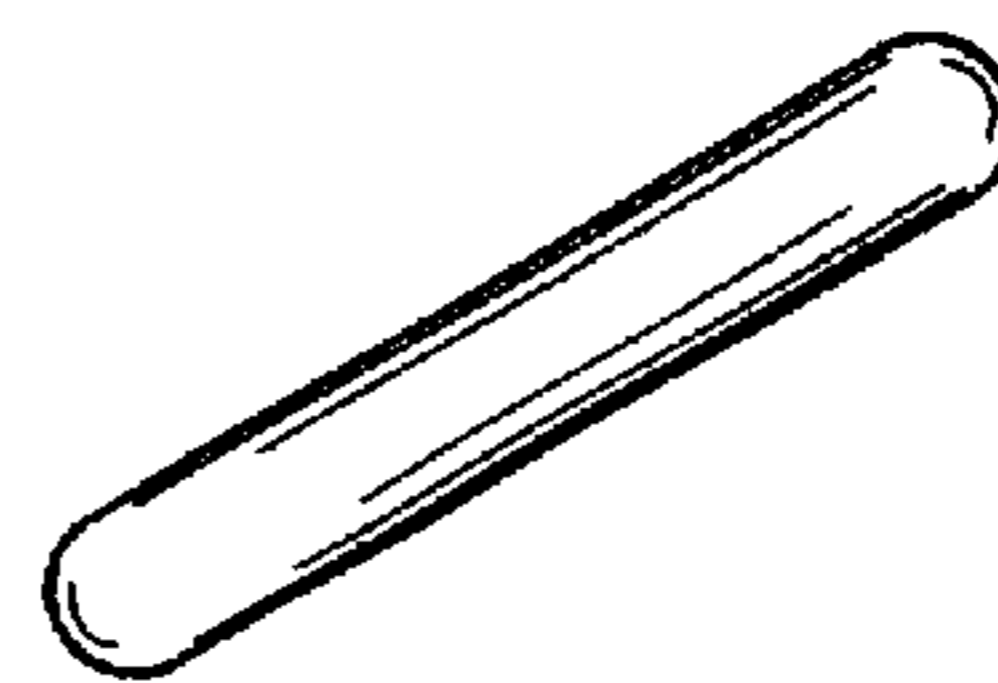


FIG. 13

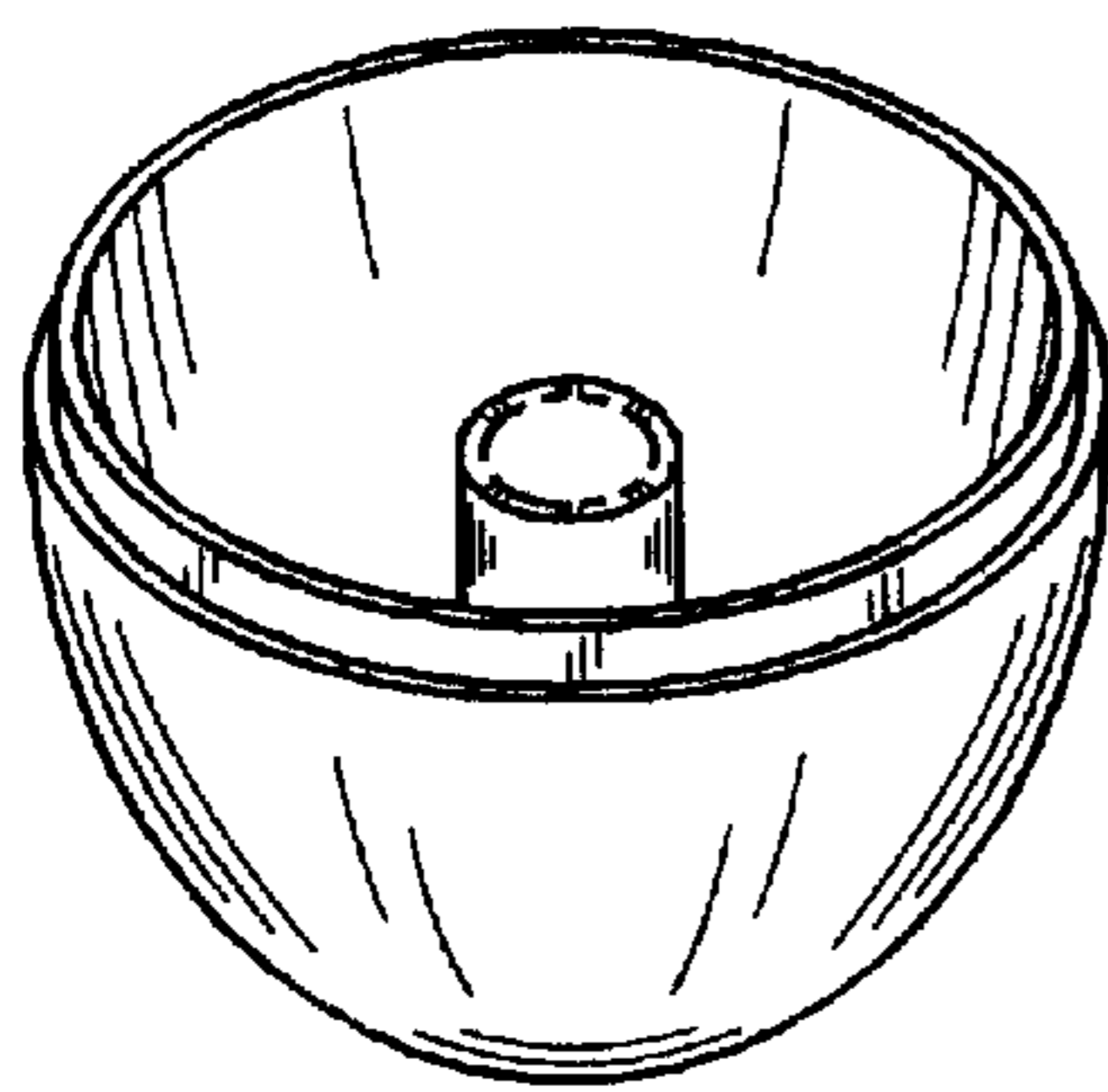


FIG. 10

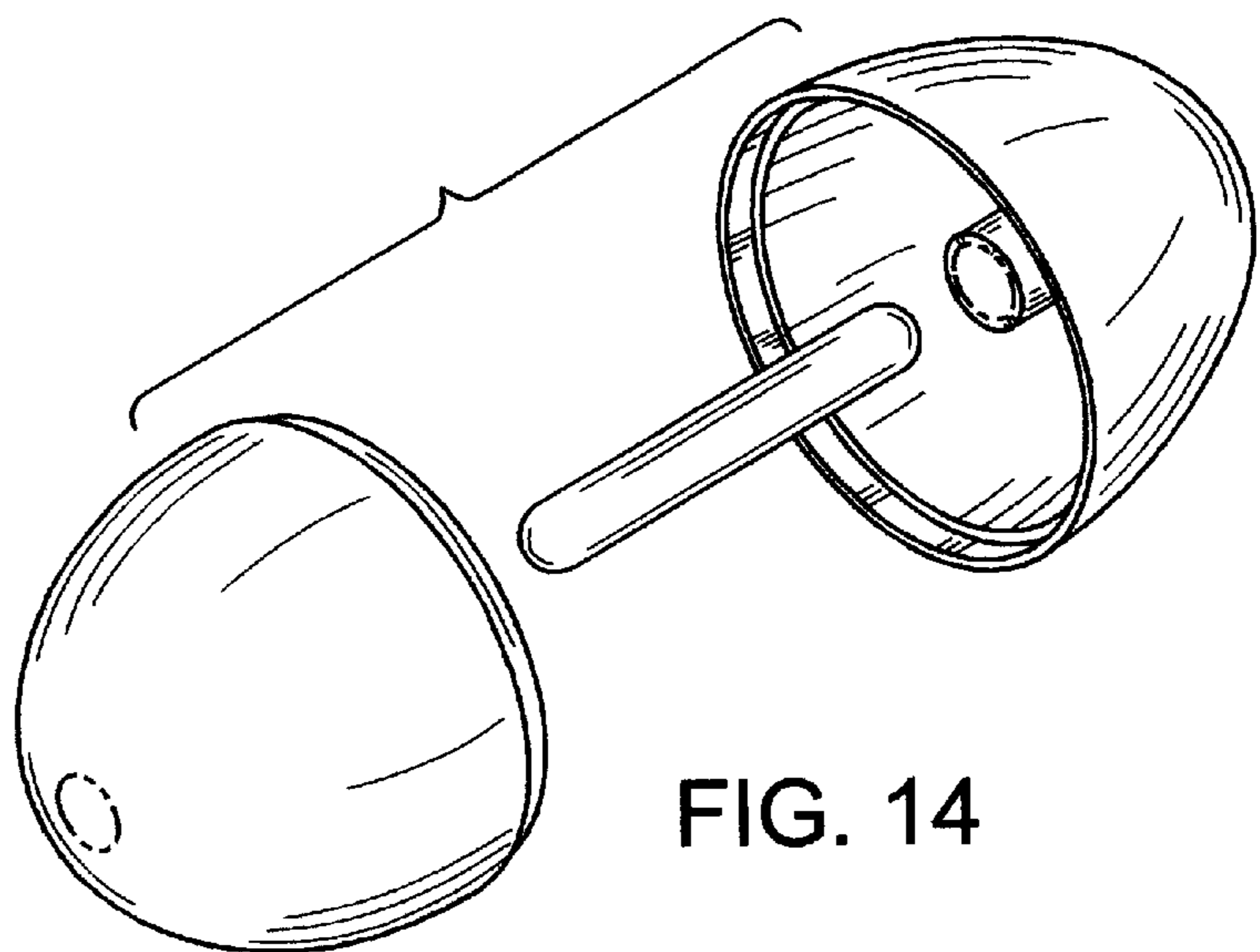


FIG. 14