



US00D478680S

(12) **United States Design Patent**  
**Schrader**

(10) **Patent No.:** **US D478,680 S**

(45) **Date of Patent:** **\*\* Aug. 19, 2003**

(54) **WINDOW COMPONENT EXTRUSION**

D419,694 S \* 1/2000 Hersh et al. .... D25/124

(75) Inventor: **Robert A. Schrader**, Puyallup, WA  
(US)

\* cited by examiner

(73) Assignee: **Mikron Industries, Inc.**, Kent, WA  
(US)

*Primary Examiner*—Doris Clark

(74) *Attorney, Agent, or Firm*—Seed IP Law Group PLLC

(\*\*) Term: **14 Years**

(57) **CLAIM**

(21) Appl. No.: **29/170,514**

The ornamental design for a window component extrusion,  
as shown and described.

(22) Filed: **Nov. 7, 2002**

**DESCRIPTION**

(51) **LOC (7) Cl.** ..... **25-01**

(52) **U.S. Cl.** ..... **D25/124**

(58) **Field of Search** ..... D25/60, 119–125,  
D25/52; 52/204.5; 49/501, 504, DIG. 1,  
DIG. 2, 181

FIG. 1 is a top right perspective view of the window  
component extrusion which is broken in the center indicat-  
ing indefinite length; and,

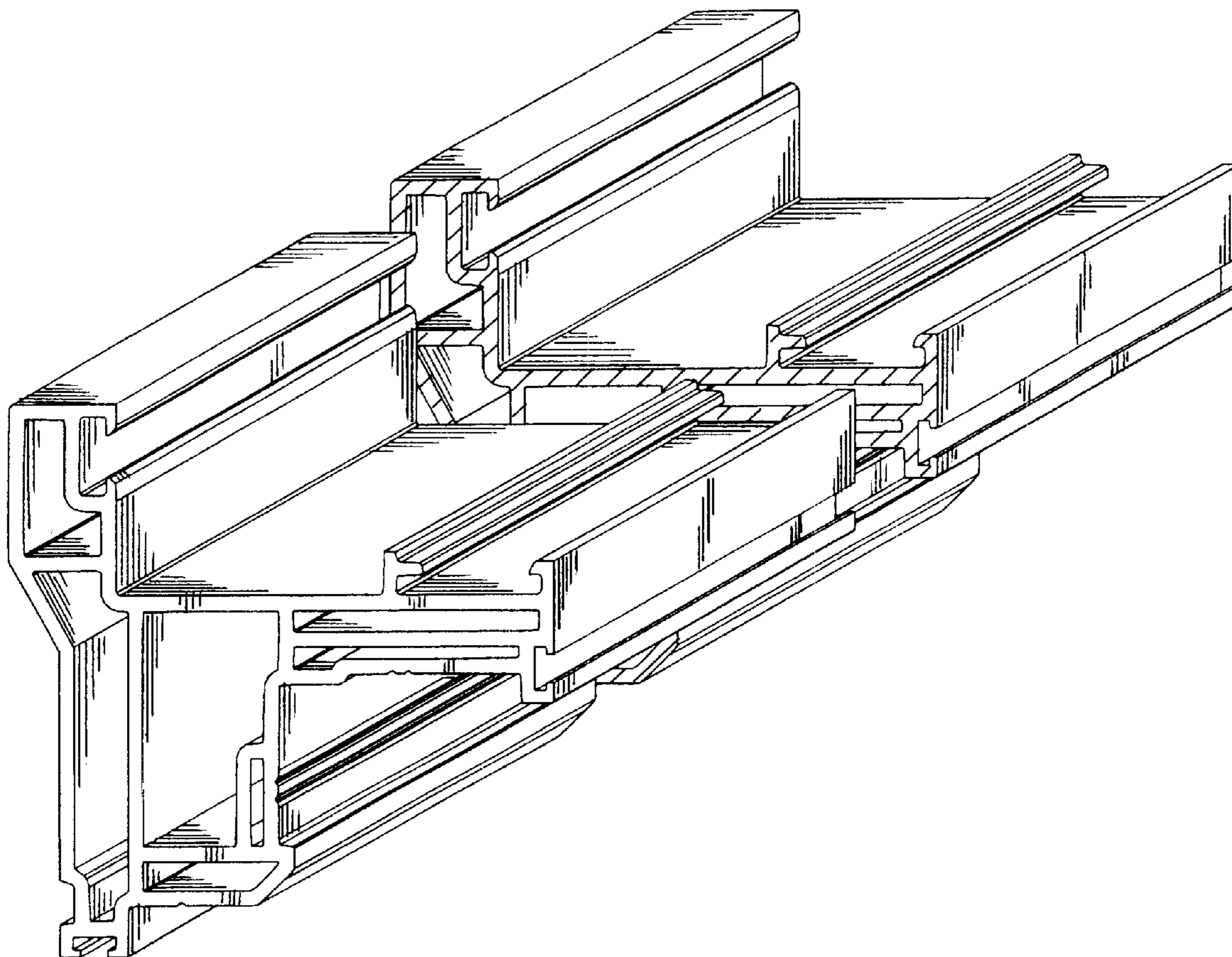
FIG. 2 is a bottom left perspective view of the window  
component extrusion shown in FIG. 1.

(56) **References Cited**

**U.S. PATENT DOCUMENTS**

D390,975 S 2/1998 Tyra ..... D25/124

**1 Claim, 1 Drawing Sheet**



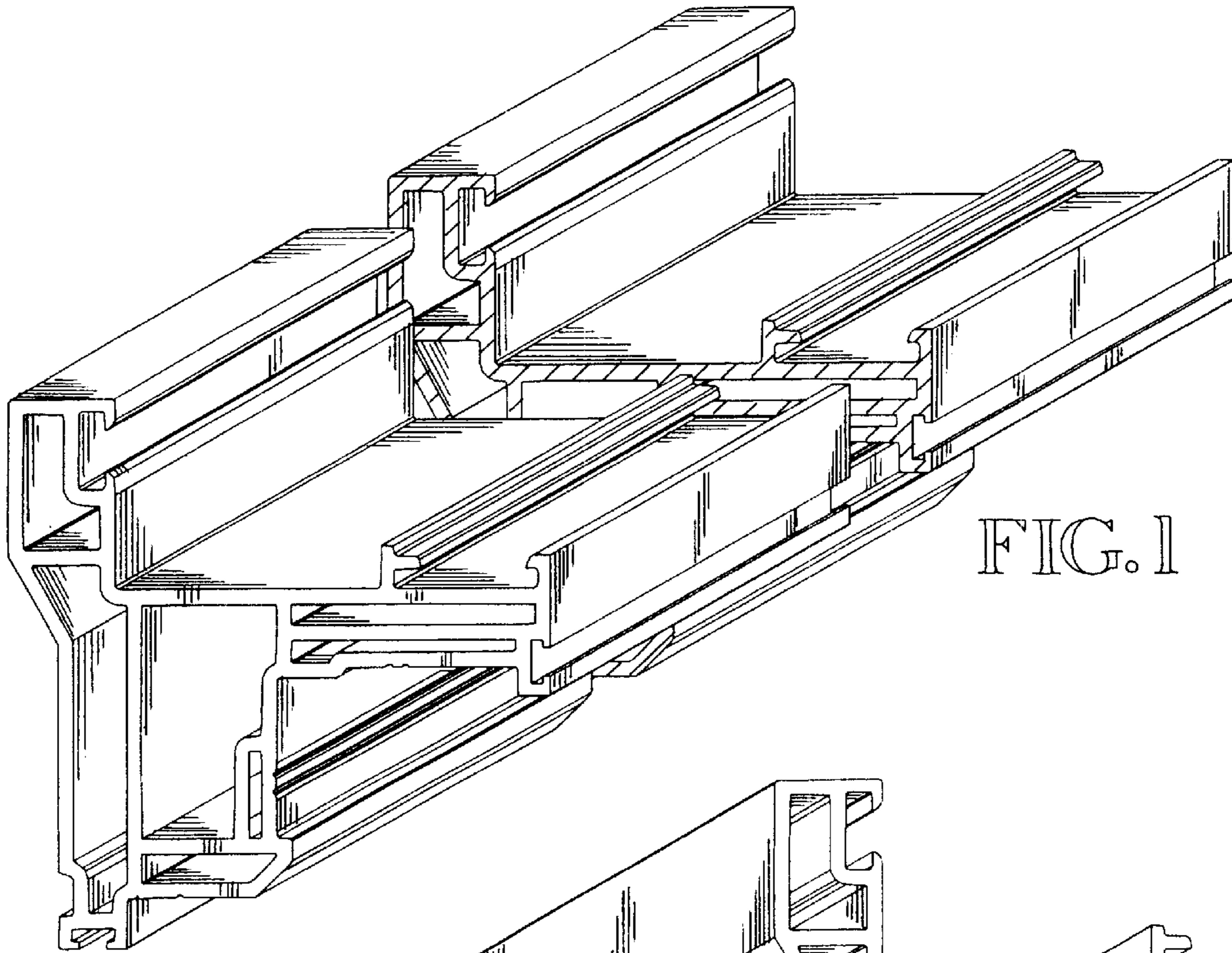


FIG. 1

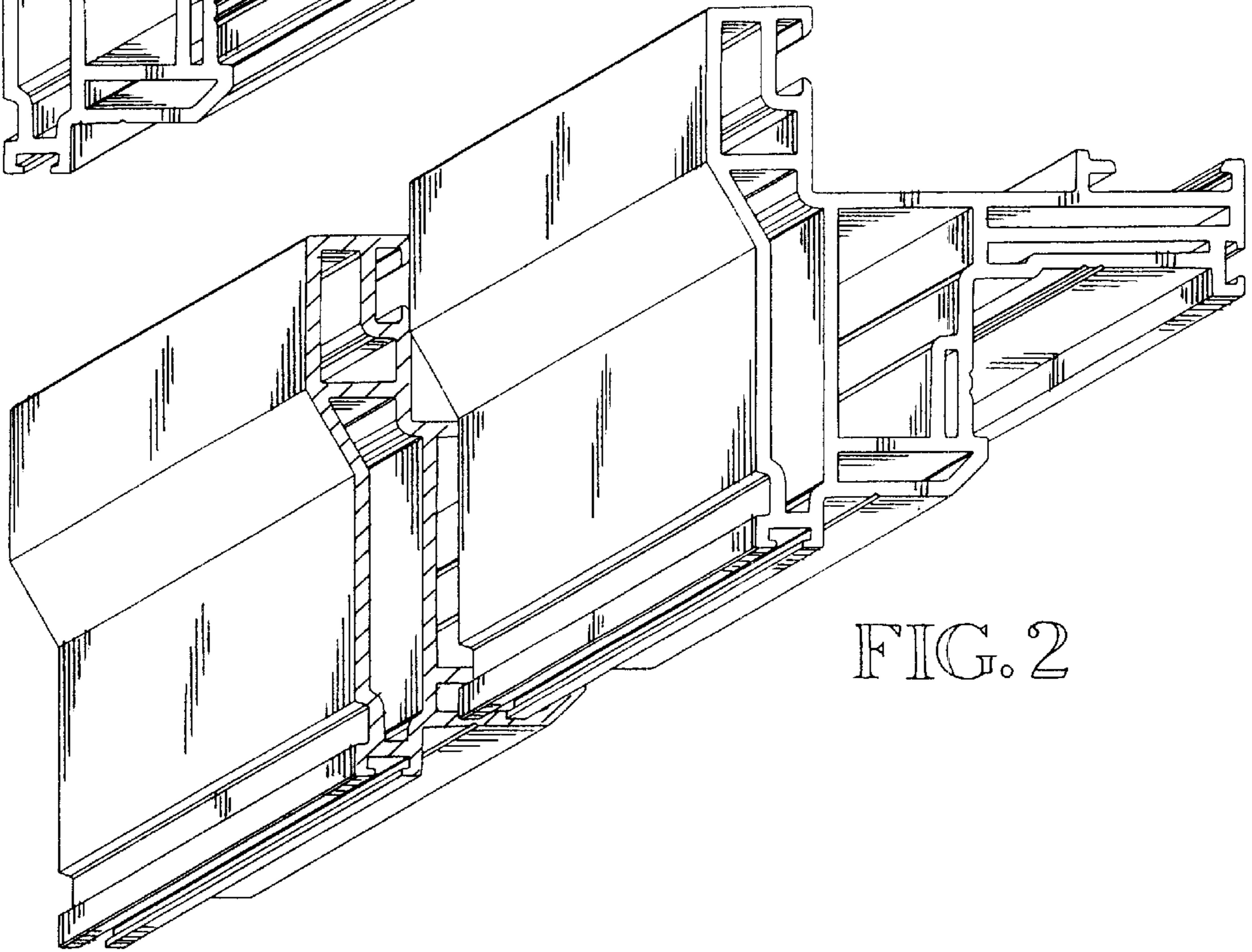


FIG. 2