



US00D478677S

(12) **United States Design Patent**  
**France**

(10) **Patent No.: US D478,677 S**

(45) **Date of Patent: \*\* \*Aug. 19, 2003**

(54) **H-SHAPE UPRIGHT GLAZING PANE  
SUPPORT WITH UNCONNECTED TOP  
FLANGES FOR WINDOW SASH**

**FOREIGN PATENT DOCUMENTS**

(75) **Inventor: John S. France**, Cuyahoga Falls, OH  
(US)

DE	1 915 245	10/1970
DE	2 041 038	2/1971
FR	2 518 158	6/1983
FR	2 708 030	1/1995
WO	98/25001	6/1998

(73) **Assignee: Sashlite, LLC**, Westport, CT (US)

\* cited by examiner

(\* ) **Notice:** This patent is subject to a terminal disclaimer.

*Primary Examiner*—Doris Clark

(74) *Attorney, Agent, or Firm*—Barry R. Lipsitz

(\*\*) **Term: 14 Years**

(57) **CLAIM**

(21) **Appl. No.: 29/164,039**

The ornamental design for an H-shape upright glazing pane support with unconnected top flanges for window sash, as shown and described.

(22) **Filed: Jul. 16, 2002**

(51) **LOC (7) Cl. .... 25-01**

**DESCRIPTION**

(52) **U.S. Cl. .... D25/122**

(58) **Field of Search** ..... 52/204.62, 204.63,  
52/204.68, 204.705, 204.5; D25/125, 119,  
122, 121

FIG. 1 is a front end elevational view showing the design, the rear end being a mirror image thereof, with broken lines depicting an example sash profile environment related to the design for illustrative purposes only and forming no part of the claimed design; and,

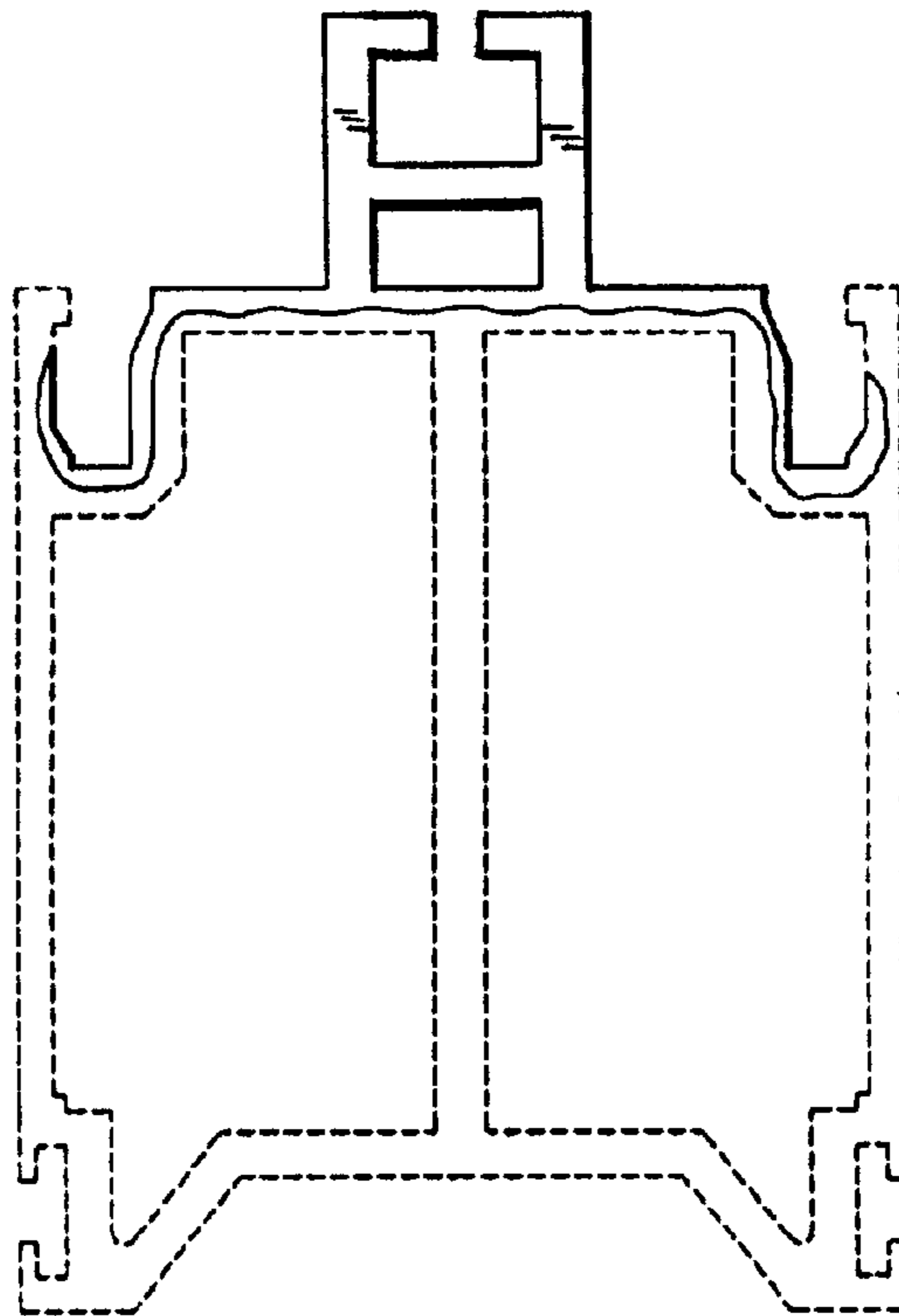
(56) **References Cited**

**U.S. PATENT DOCUMENTS**

2,024,192	A	*	1/1935	Verhagen	.....	D25/122
3,789,564	A	*	2/1974	Kessler	.....	52/204.62
D258,992	S	*	4/1981	Dallaire	.....	D25/124
6,055,783	A		5/2000	Guhl et al.		
6,286,288	B1		9/2001	France		
6,401,428	B1		6/2002	Glover et al.		

FIG. 2 is a front perspective view showing the design, with broken lines depicting an example sash profile environment related to the design for illustrative purposes only and forming no part of the claimed design, and is shown fragmented indicating indefinite length.

**1 Claim, 1 Drawing Sheet**



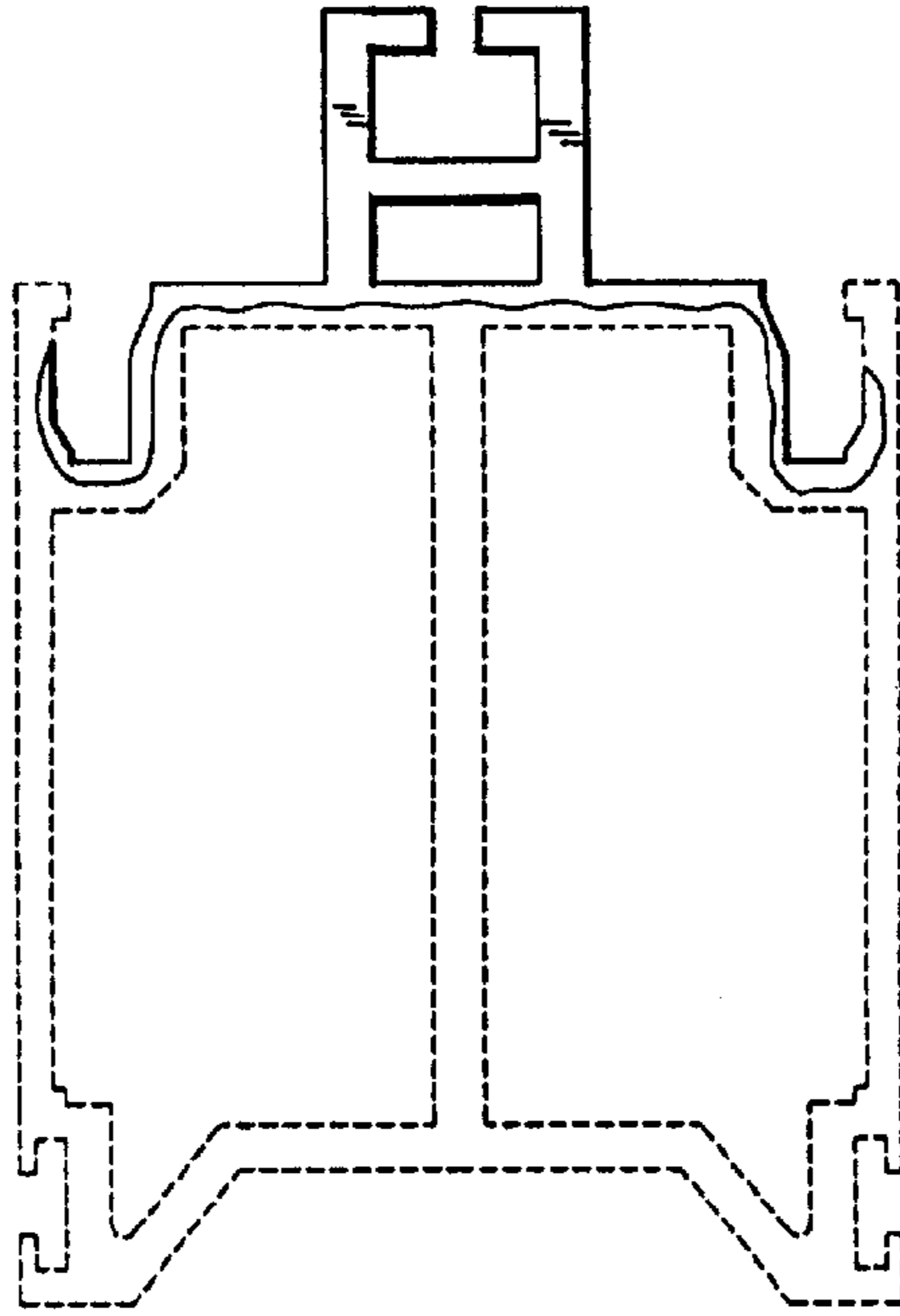


FIG. 1

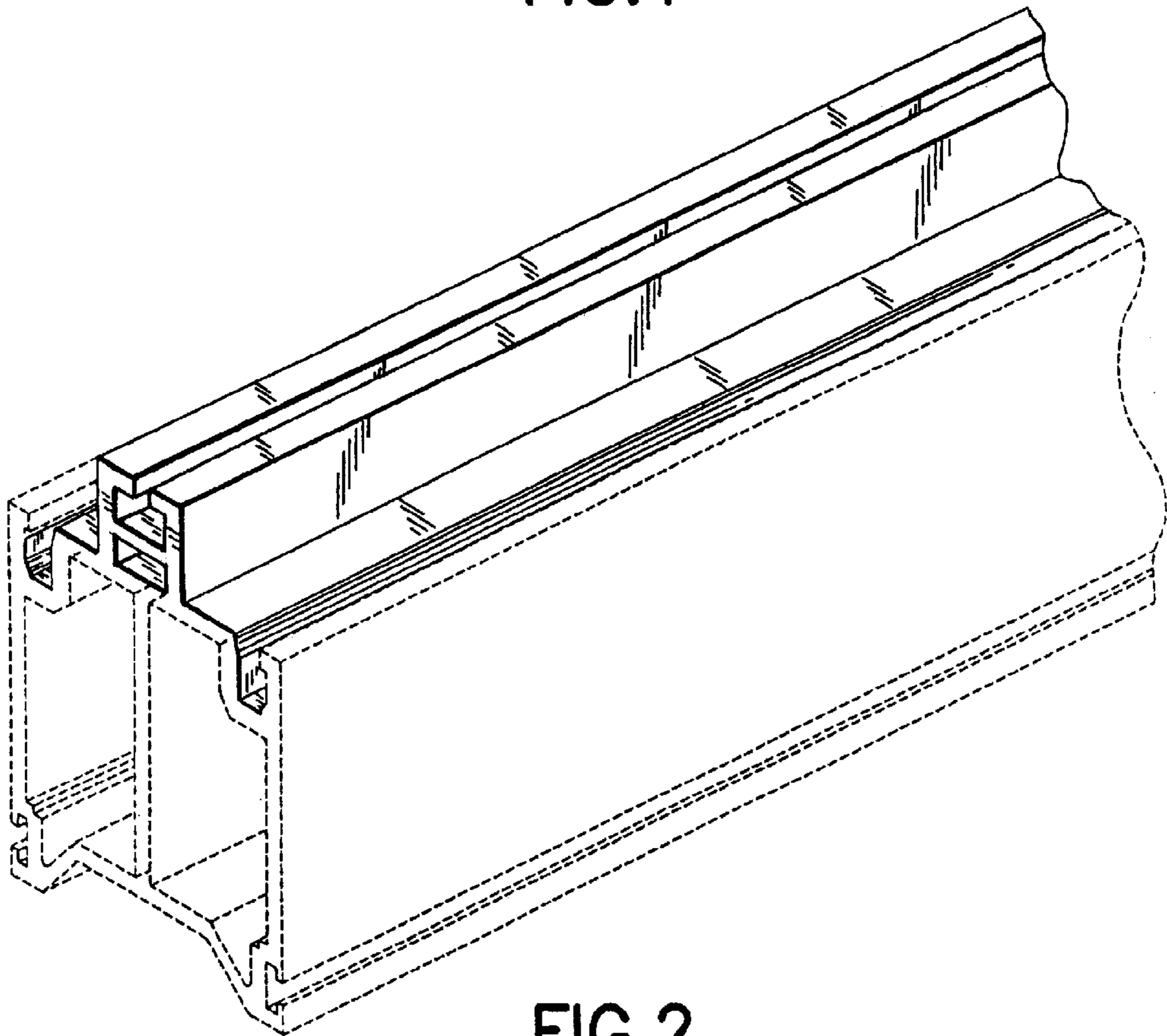


FIG. 2