



US00D478675S

(12) **United States Design Patent**
France

(10) **Patent No.:** **US D478,675 S**

(45) **Date of Patent:** **** *Aug. 19, 2003**

(54) **H-SHAPE UPRIGHT GLAZING PANE
SUPPORT FOR WINDOW SASH**

FOREIGN PATENT DOCUMENTS

(75) **Inventor:** **John S. France**, Cuyahoga Falls, OH
(US)

DE	1 915 245	10/1970
DE	2 041 038	2/1971
FR	2 518 158	6/1983
FR	2 708 030	1/1995
WO	98/25001	6/1998

(73) **Assignee:** **Sashlite, LLC**, Westport, CT (US)

* cited by examiner

(*) **Notice:** This patent is subject to a terminal disclaimer.

Primary Examiner—Doris Clark

(**) **Term:** **14 Years**

(74) *Attorney, Agent, or Firm*—Barry R. Lipsitz

(21) **Appl. No.:** **29/164,062**

(57) **CLAIM**

(22) **Filed:** **Jul. 16, 2002**

The ornamental design for an H-shape upright glazing pane support for window sash, as shown and described.

(51) **LOC (7) Cl.** **25-01**

DESCRIPTION

(52) **U.S. Cl.** **D25/121**

(58) **Field of Search** 52/204.62, 204.63,
52/204.68, 204.705, 204.5; D25/124, 119,
122, 121

FIG. 1 is a front end elevational view showing the design, the rear end being a mirror image thereof, with broken lines depicting an example sash profile environment related to the design for illustrative purposes only and forming no part of the claimed design; and,

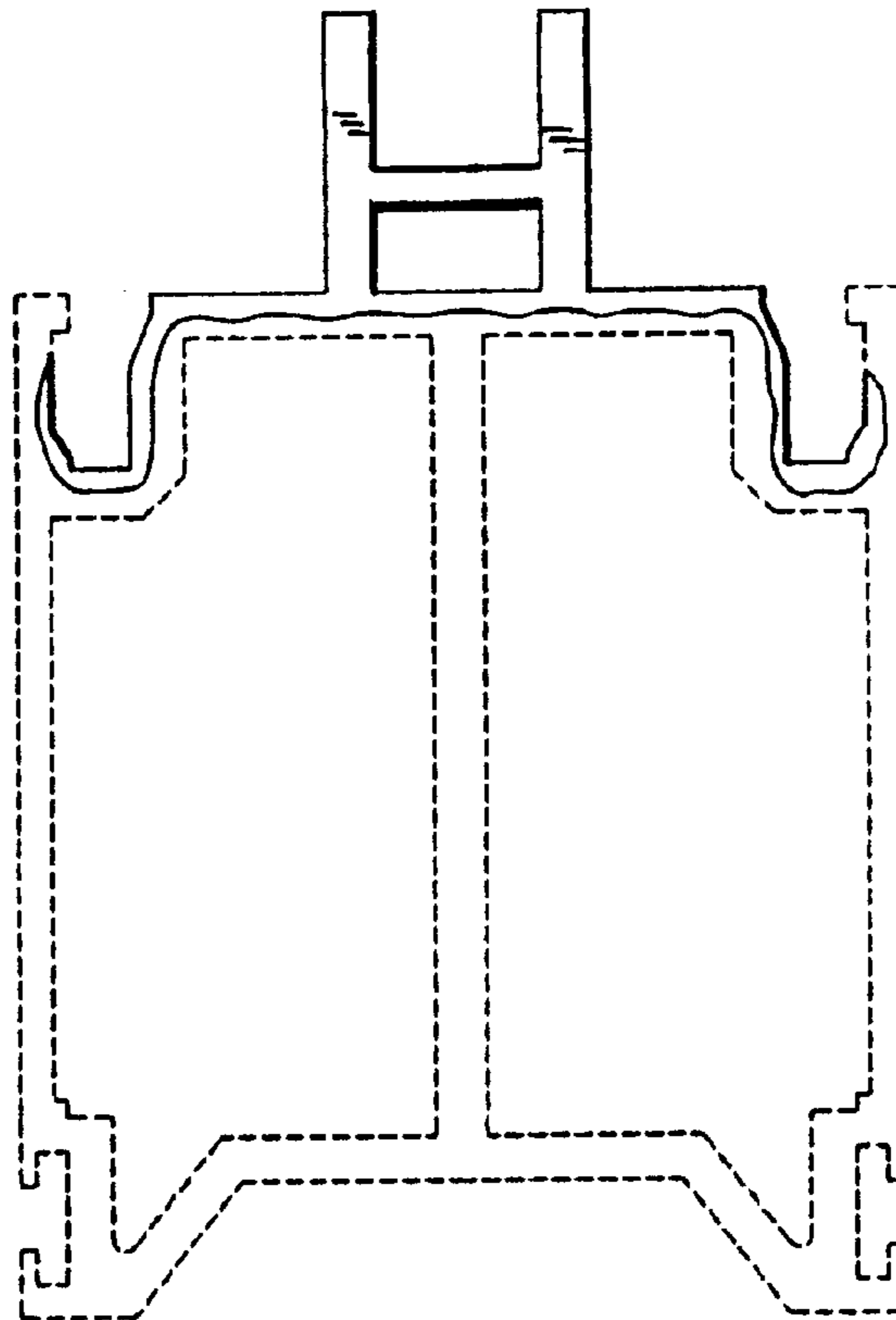
(56) **References Cited**

FIG. 2 is a front perspective view showing the design, with broken lines depicting an example sash profile environment related to the design for illustrative purposes only and forming no part of the claimed design, and is shown fragmented indicating indefinite length.

U.S. PATENT DOCUMENTS

3,789,564	A	*	2/1974	Kessler	52/204.62
6,055,783	A		5/2000	Guhl et al.		
6,286,288	B1		9/2001	France		
6,401,428	B1		6/2002	Glover et al.		
6,438,912	B1	*	8/2002	Avent	52/204.62

1 Claim, 1 Drawing Sheet



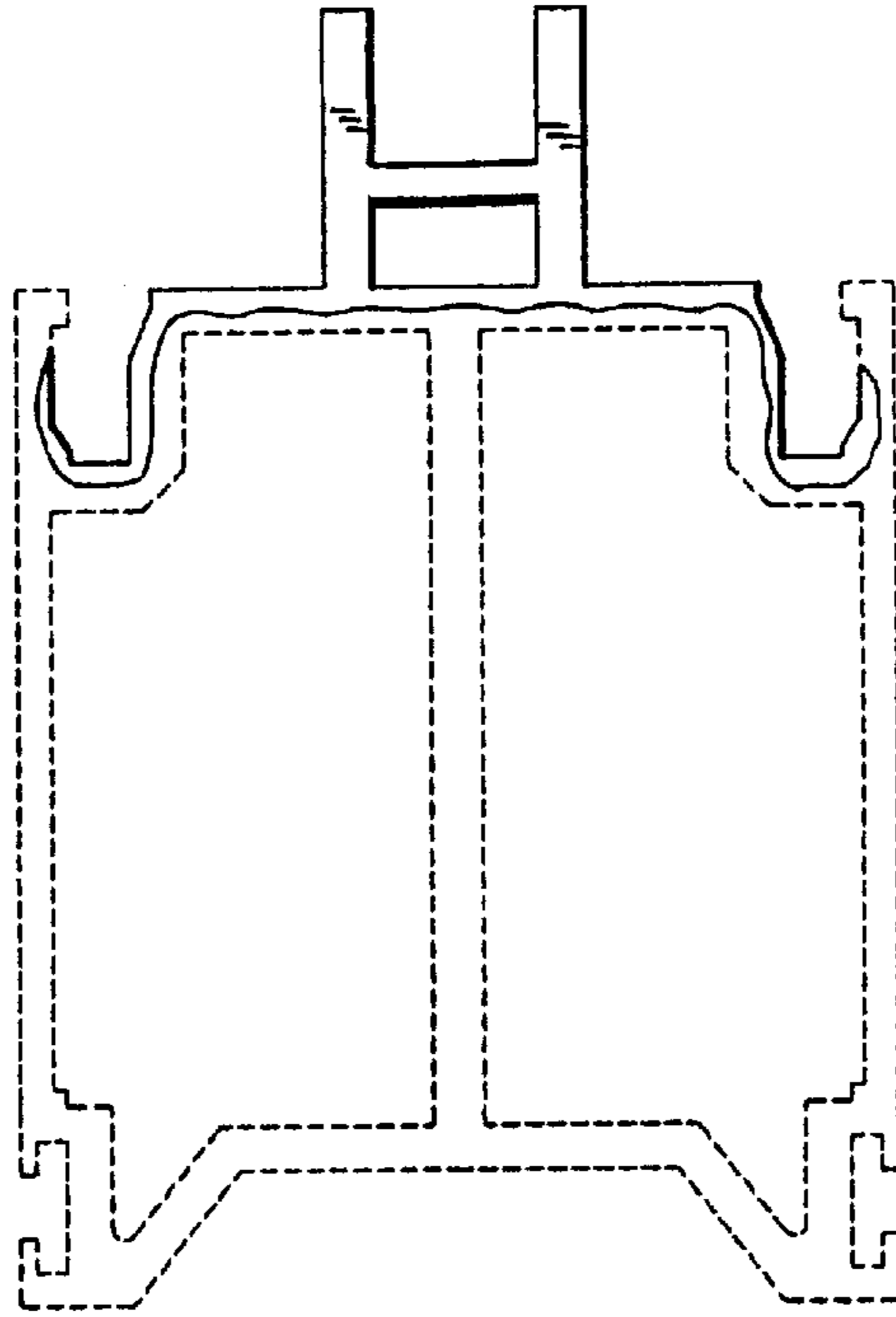


FIG. 1

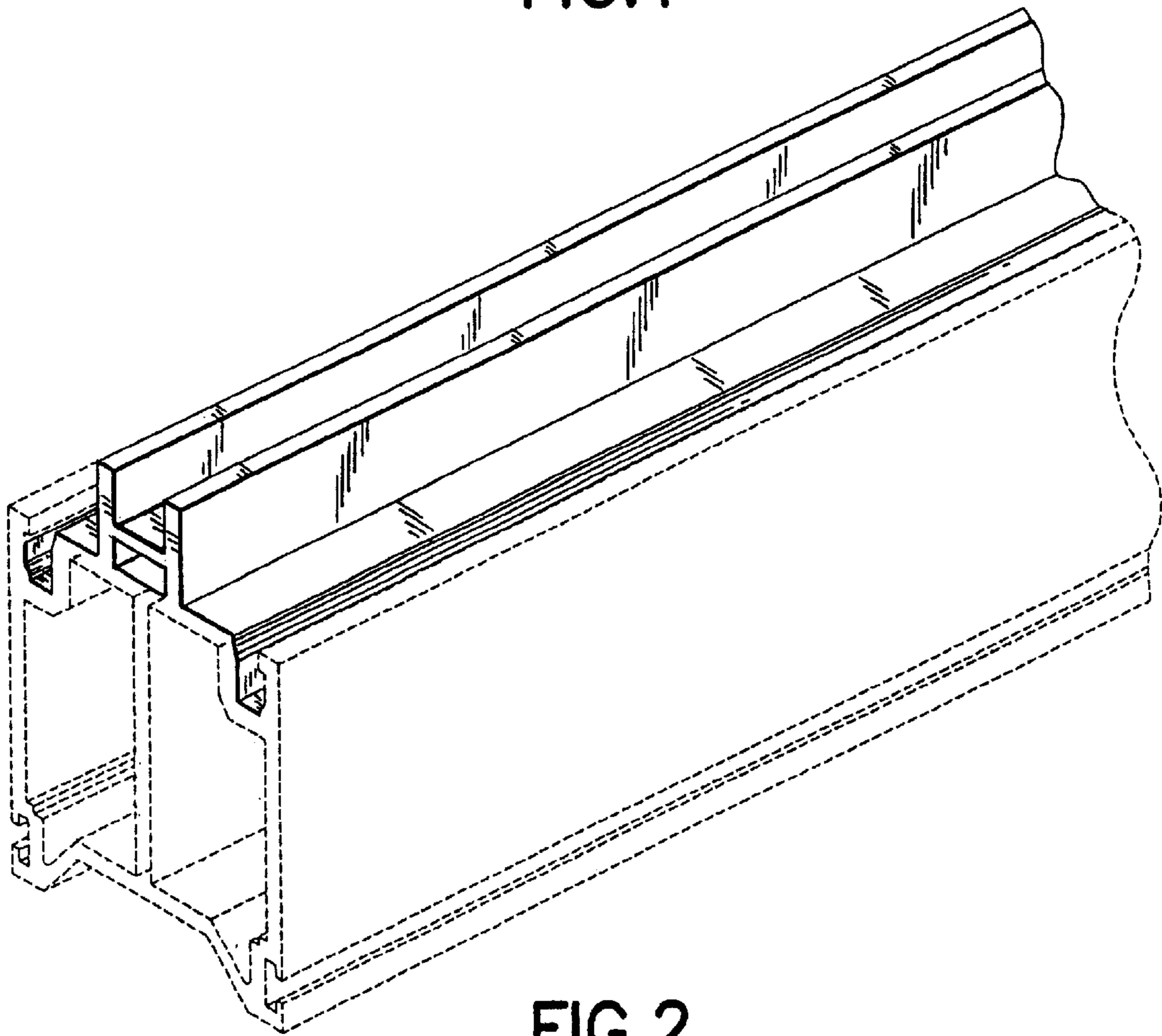


FIG. 2