



US00D478670S

(12) **United States Design Patent**
Tsai

(10) **Patent No.:** **US D478,670 S**

(45) **Date of Patent:** **** Aug. 19, 2003**

(54) **FOOT MASSAGE MACHINE**

D420,450 S * 2/2000 Anthony et al. D24/212
D432,242 S * 10/2000 Lie D24/212

(76) Inventor: **Wen-Chung Tsai**, 58, Ma Yuan West St., Taichung (TW)

* cited by examiner

(**) Term: **14 Years**

Primary Examiner—Stella Reid

(21) Appl. No.: **29/167,043**

(57) **CLAIM**

(22) Filed: **Sep. 5, 2002**

The ornamental design for a foot massage machine, as shown and described.

(51) **LOC (7) Cl.** **28-03**

DESCRIPTION

(52) **U.S. Cl.** **D24/212**

(58) **Field of Search** D24/200, 212,
D24/213, 215; 601/27, 28, 29, 30, 46

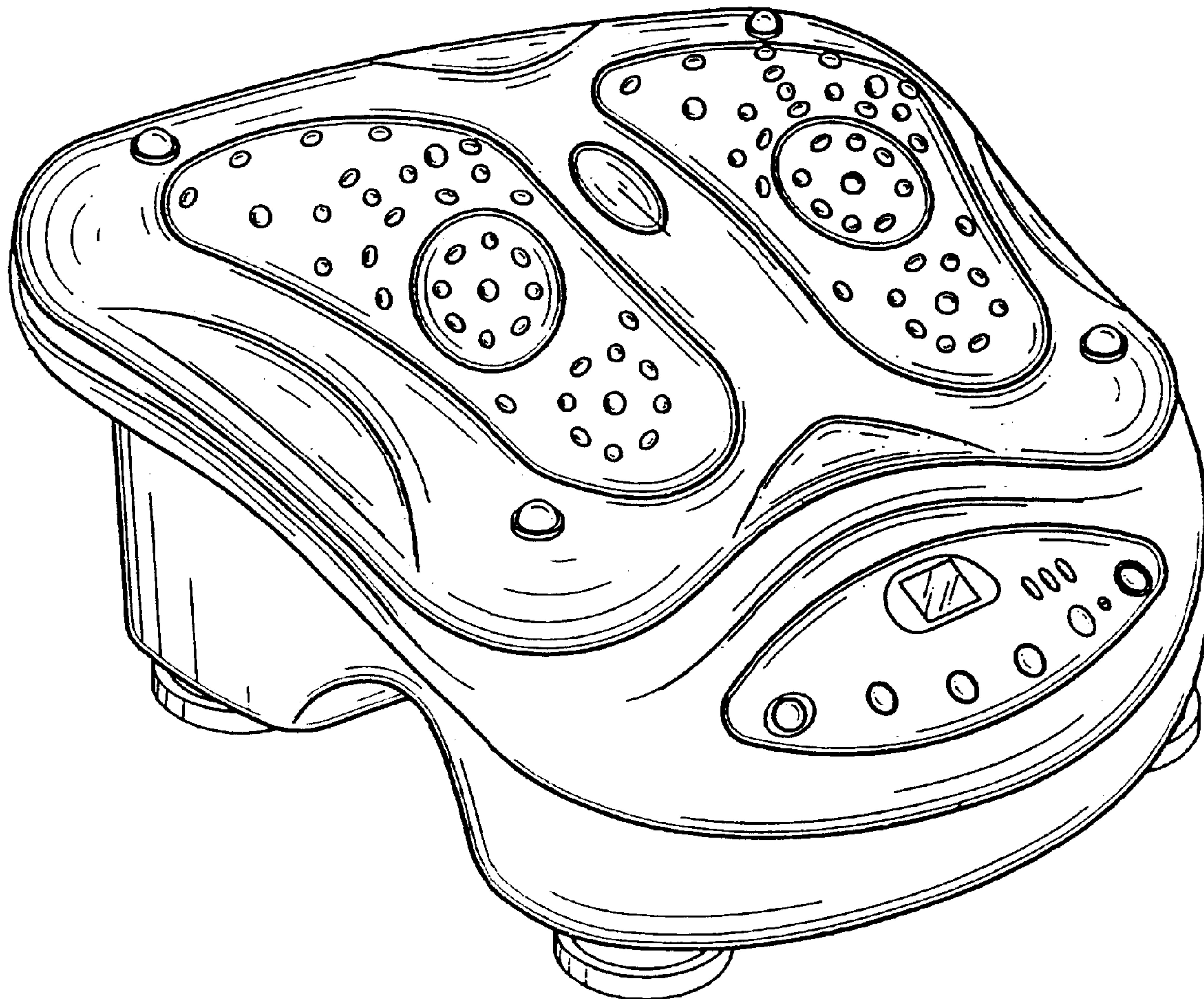
FIG. 1 is a perspective view of a foot massage machine showing my new design;
FIG. 2 is a front elevational view thereof;
FIG. 3 is a rear elevational view thereof;
FIG. 4 is a left side elevational view thereof;
FIG. 5 is a right side elevational view thereof;
FIG. 6 is a top plan view thereof; and,
FIG. 7 is a bottom plan view thereof.

(56) **References Cited**

U.S. PATENT DOCUMENTS

D269,636 S * 7/1983 MacGregor et al. D24/212
D280,934 S * 10/1985 MacGregor D24/212
5,827,205 A * 10/1998 Iwamoto 601/78
D411,304 S * 6/1999 Yang D24/212

1 Claim, 5 Drawing Sheets



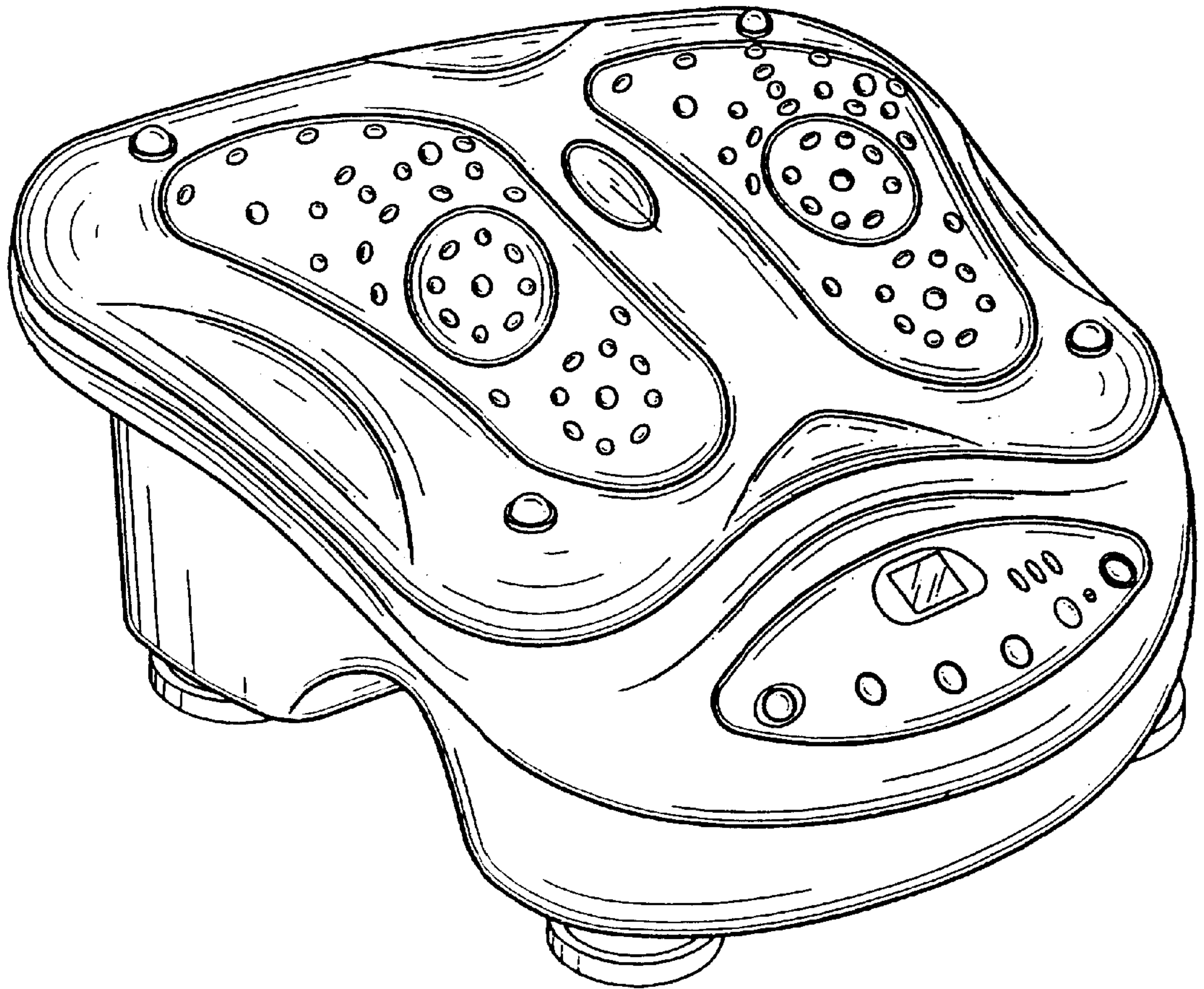


FIG.1

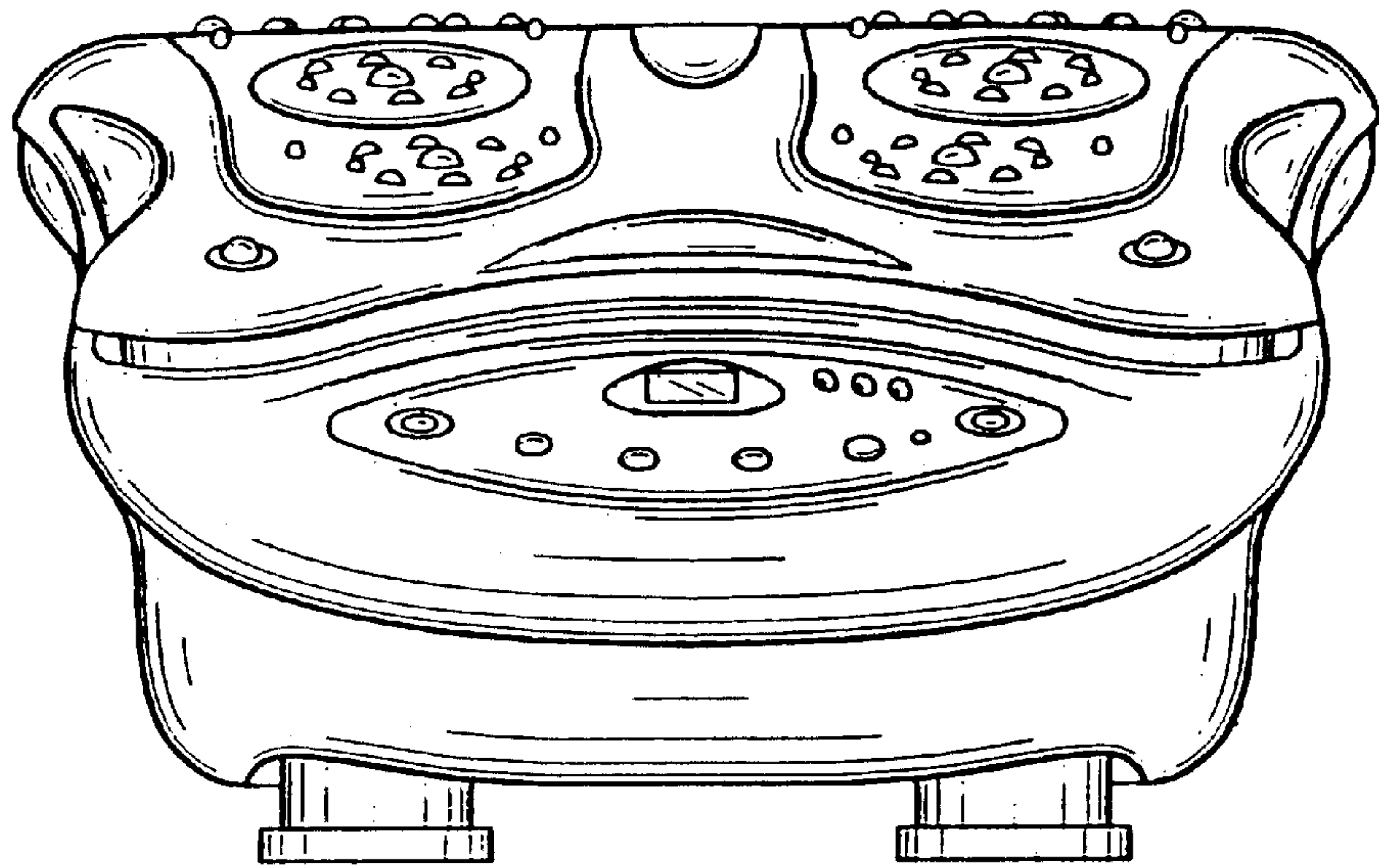


FIG. 2

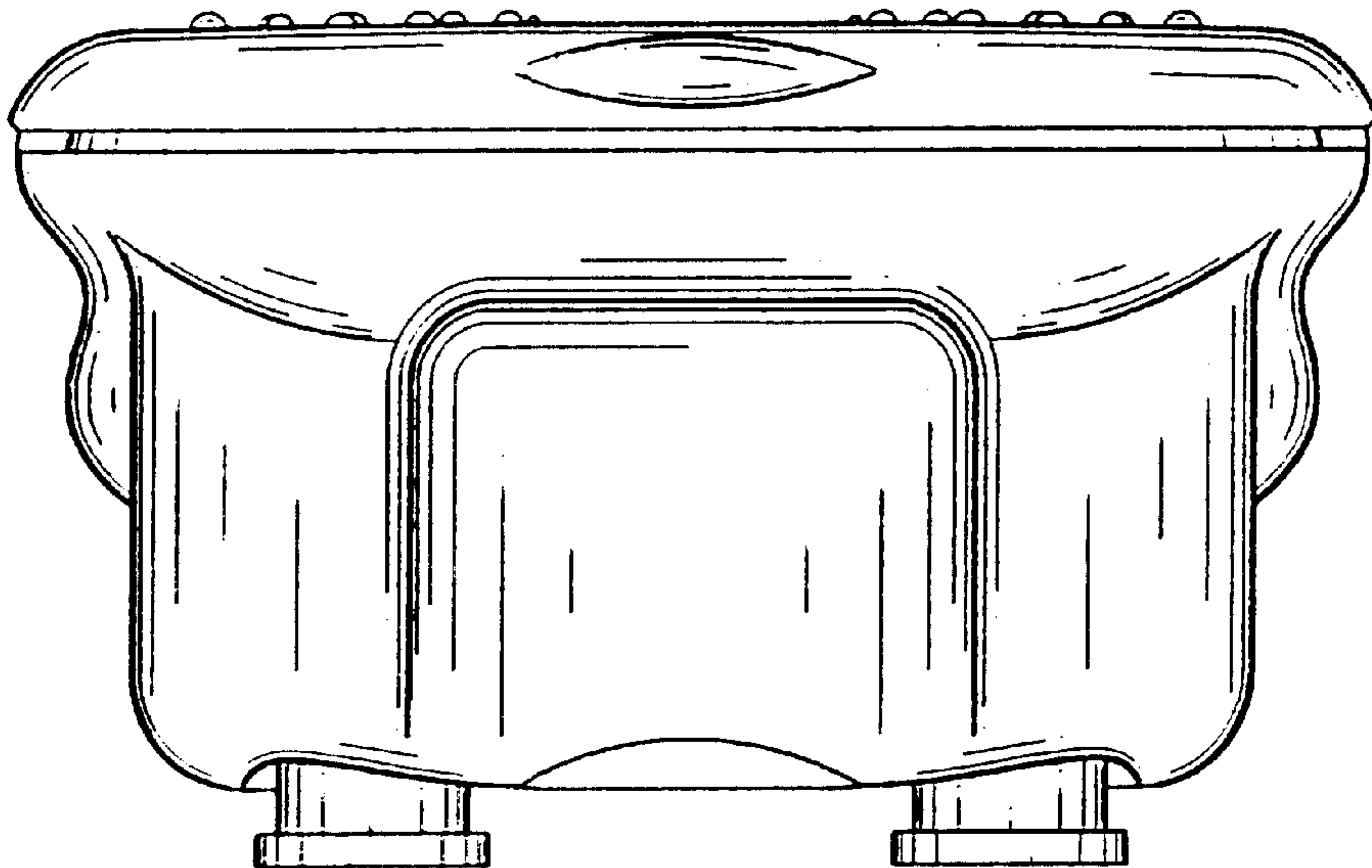


FIG. 3

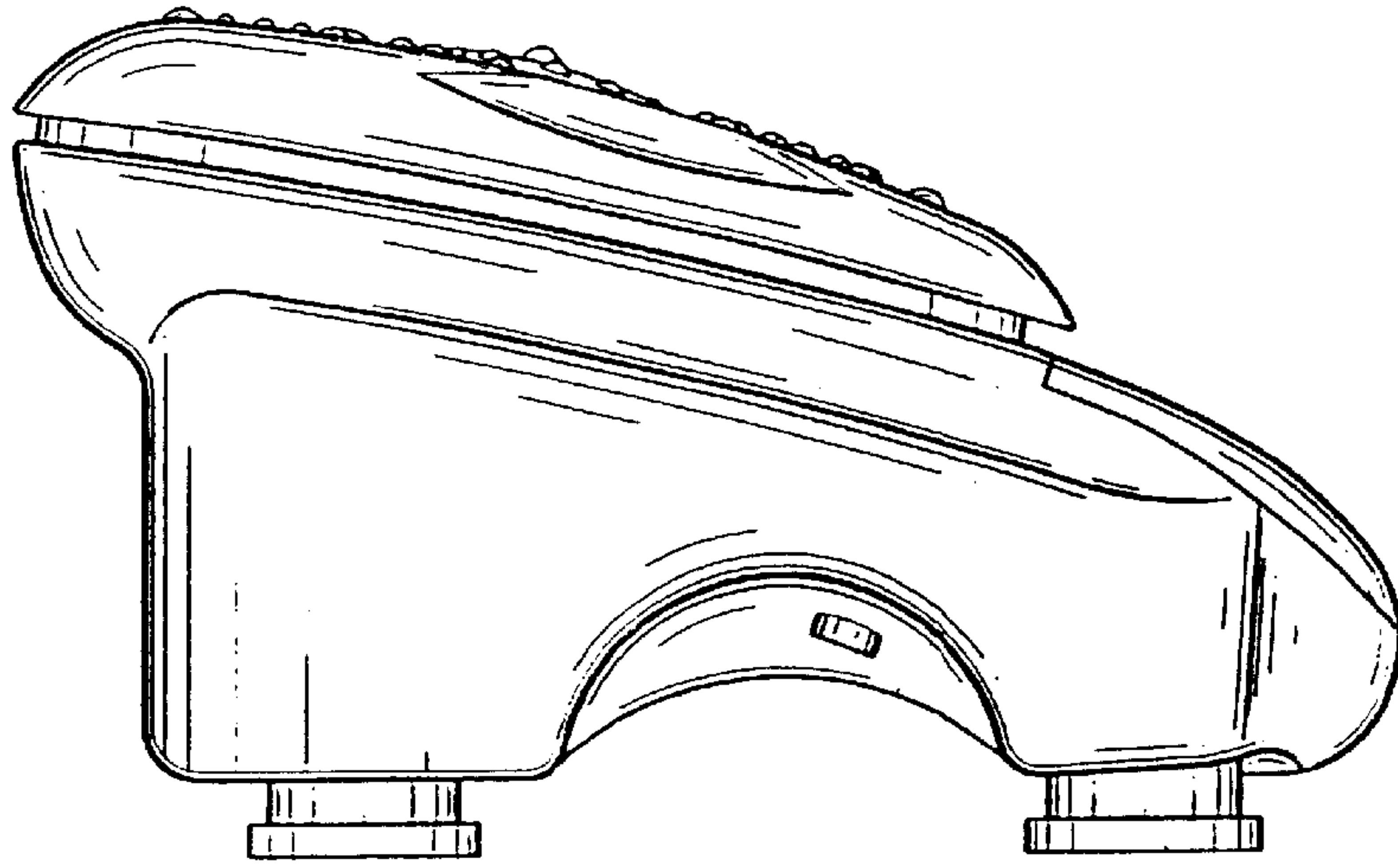


FIG. 4

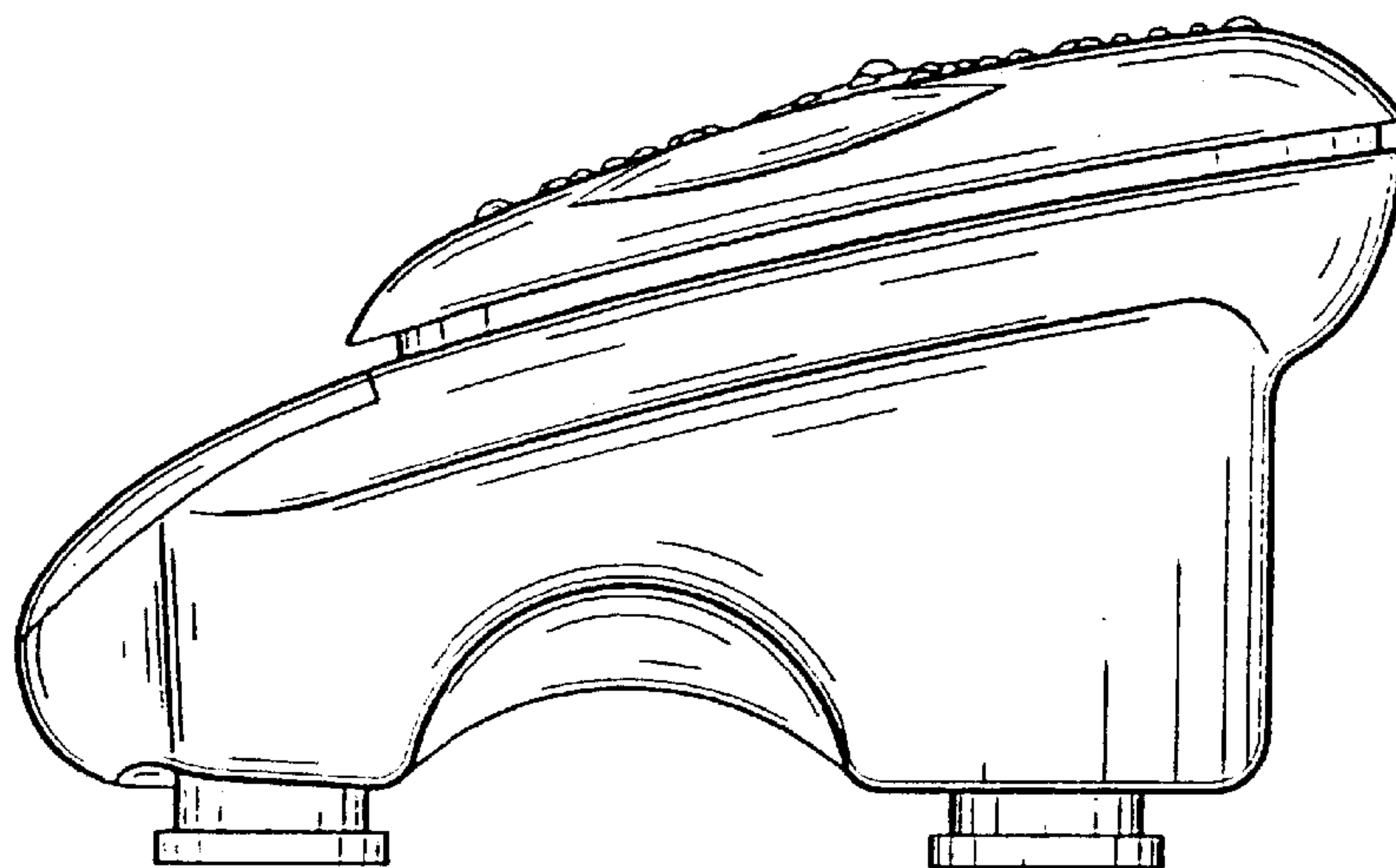


FIG. 5

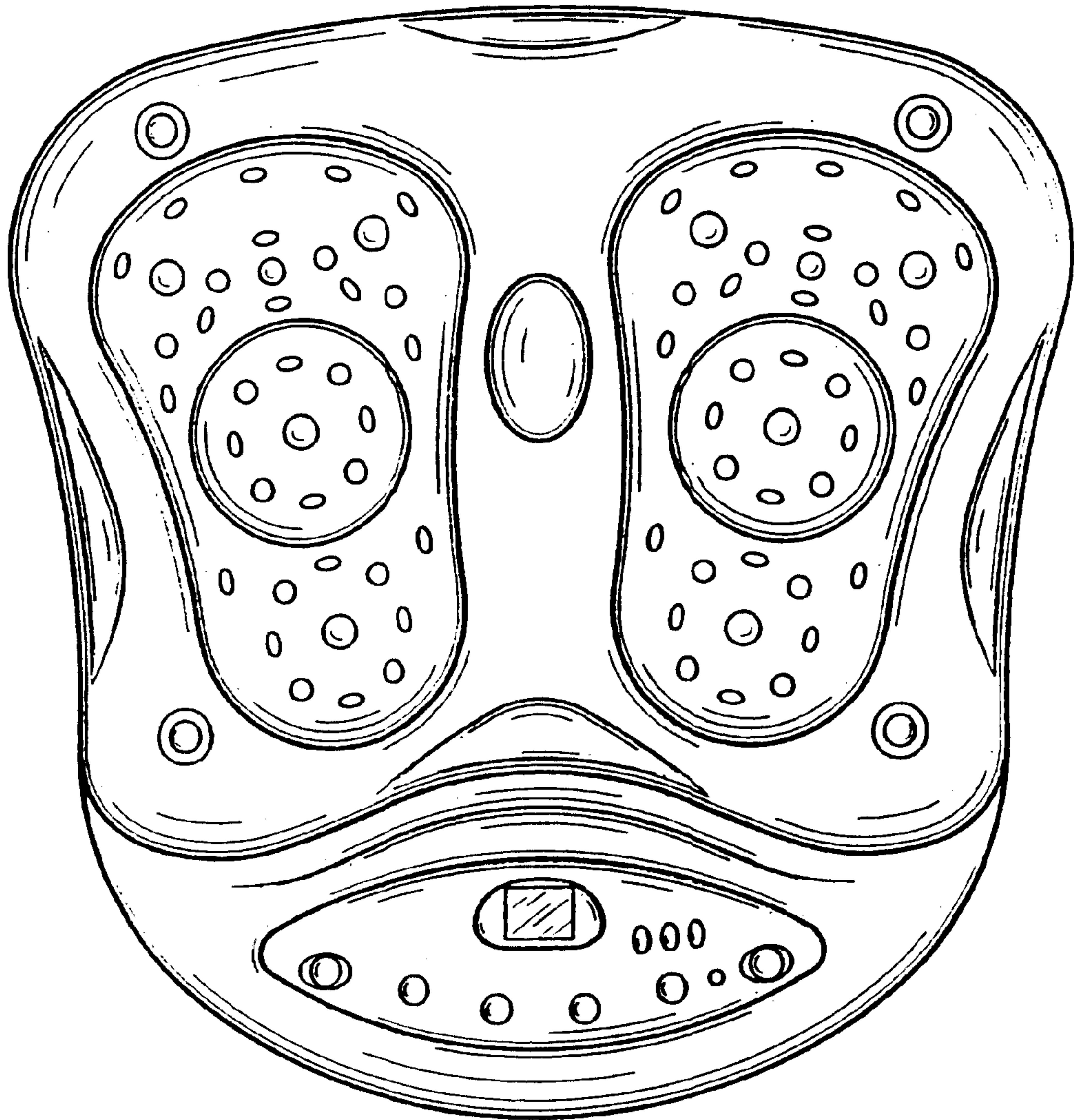


FIG. 6

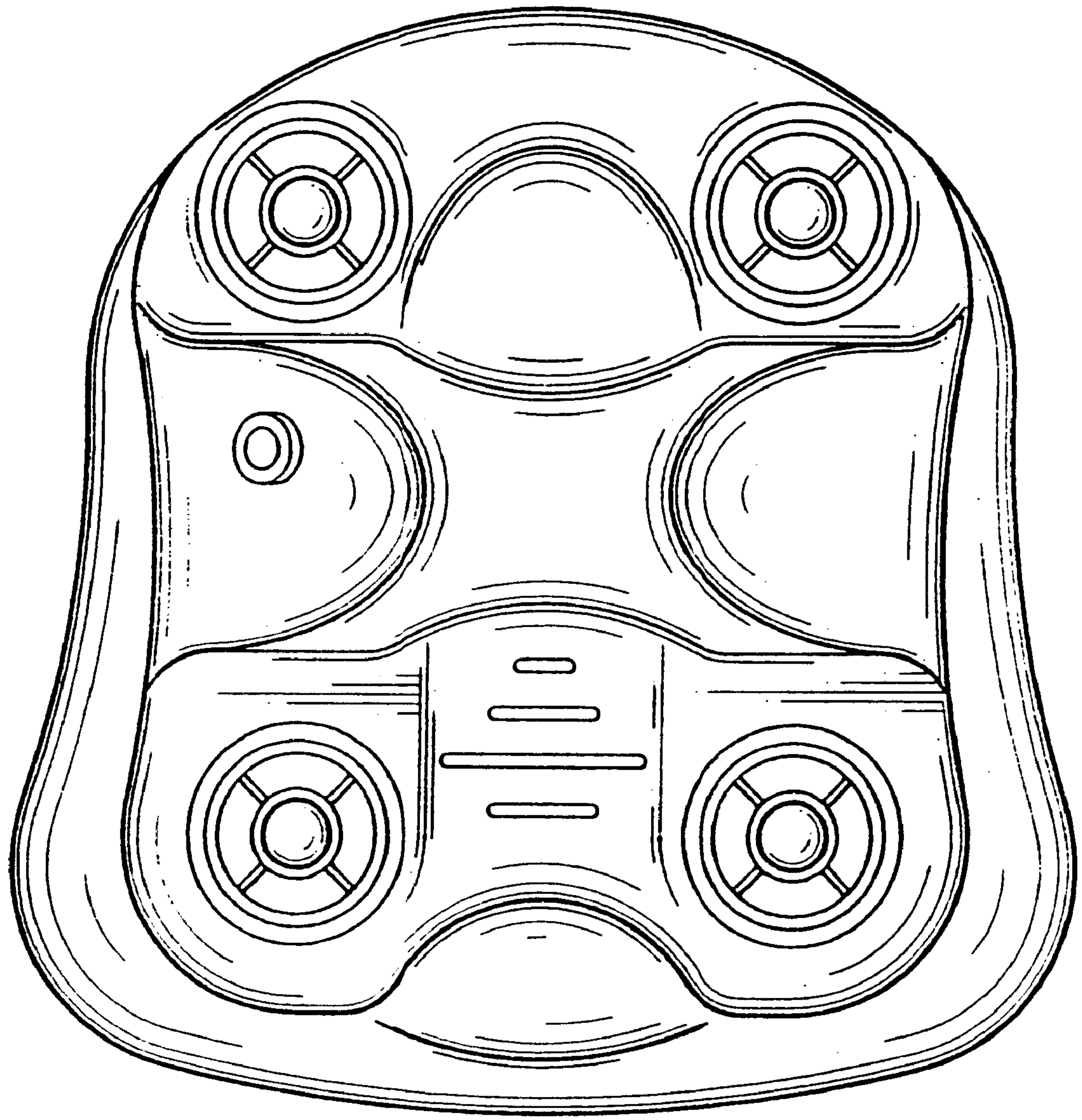


FIG. 7