



US00D478665S

(12) **United States Design Patent**  
**Isaacs et al.**

(10) **Patent No.:** **US D478,665 S**

(45) **Date of Patent:** **\*\* Aug. 19, 2003**

(54) **DISPOSABLE TRIGGER**

6,221,088 B1 4/2001 Bays  
6,293,957 B1 9/2001 Peters et al.

(75) Inventors: **Dickon Isaacs**, Chicago, IL (US);  
**Benjamin Leo Rush**, Evanston, IL (US)

**OTHER PUBLICATIONS**

U.S. patent application Ser. No. 10/103,104, Johnston et al., filed Mar. 3, 2002.

(73) Assignee: **Gyrus Ent L.L.C.**, Bartlett, TN (US)

\* cited by examiner

(\*\*) Term: **14 Years**

*Primary Examiner*—Ian Simmons

(21) Appl. No.: **29/157,558**

(74) *Attorney, Agent, or Firm*—Oliff & Berridge, PLC

(22) Filed: **Mar. 22, 2002**

(57) **CLAIM**

(51) **LOC (7) Cl.** ..... **24-02**

The ornamental design for disposable trigger, as shown and described.

(52) **U.S. Cl.** ..... **D24/133; D24/146**

(58) **Field of Search** ..... D24/133, 127,  
D24/105, 108, 144, 147, 145, 146; D8/70,  
67, 68; 606/176, 171, 167, 170, 85, 84;  
200/332.1, 522, 505, 332.2, 333

**DESCRIPTION**

(56) **References Cited**

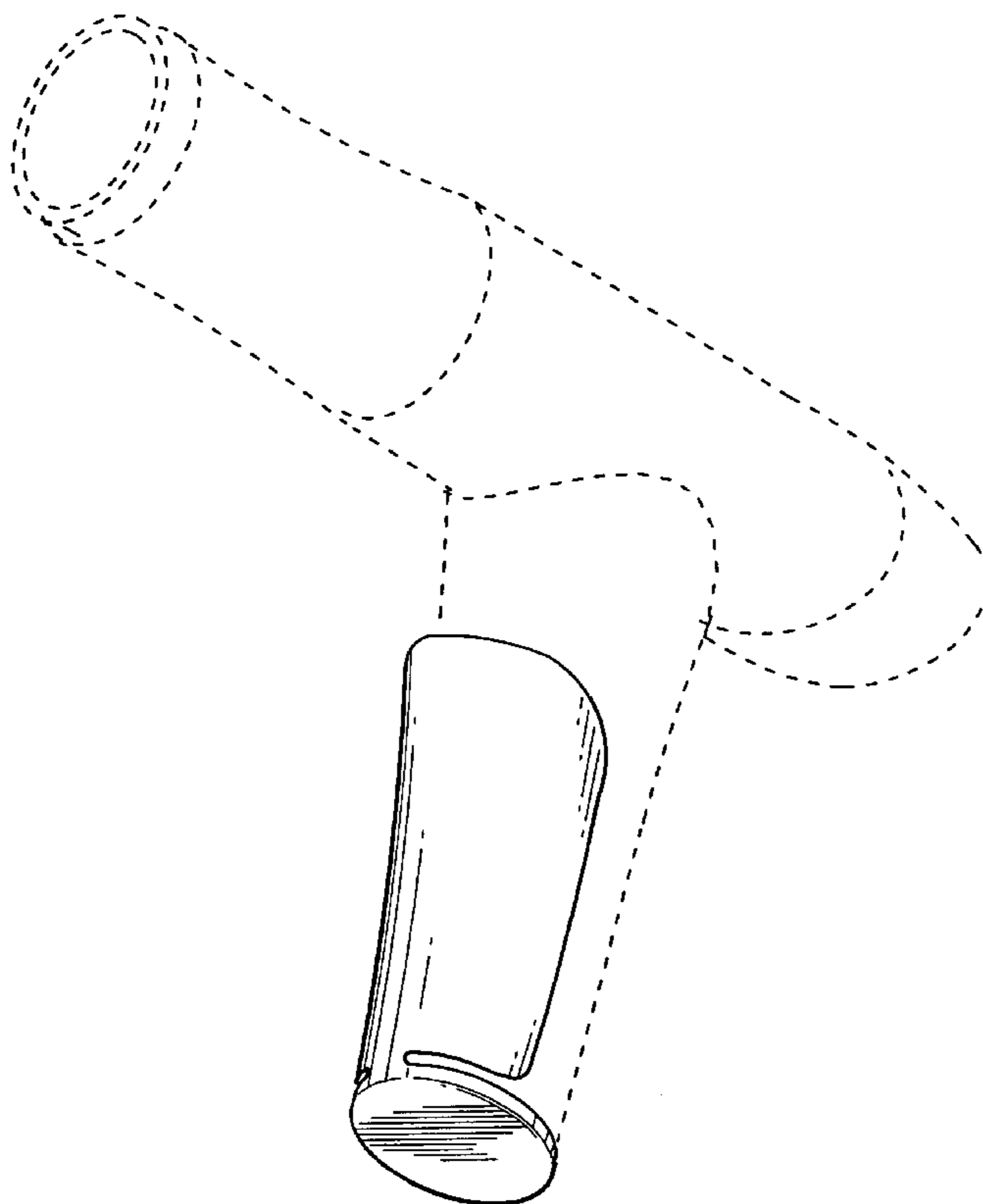
**U.S. PATENT DOCUMENTS**

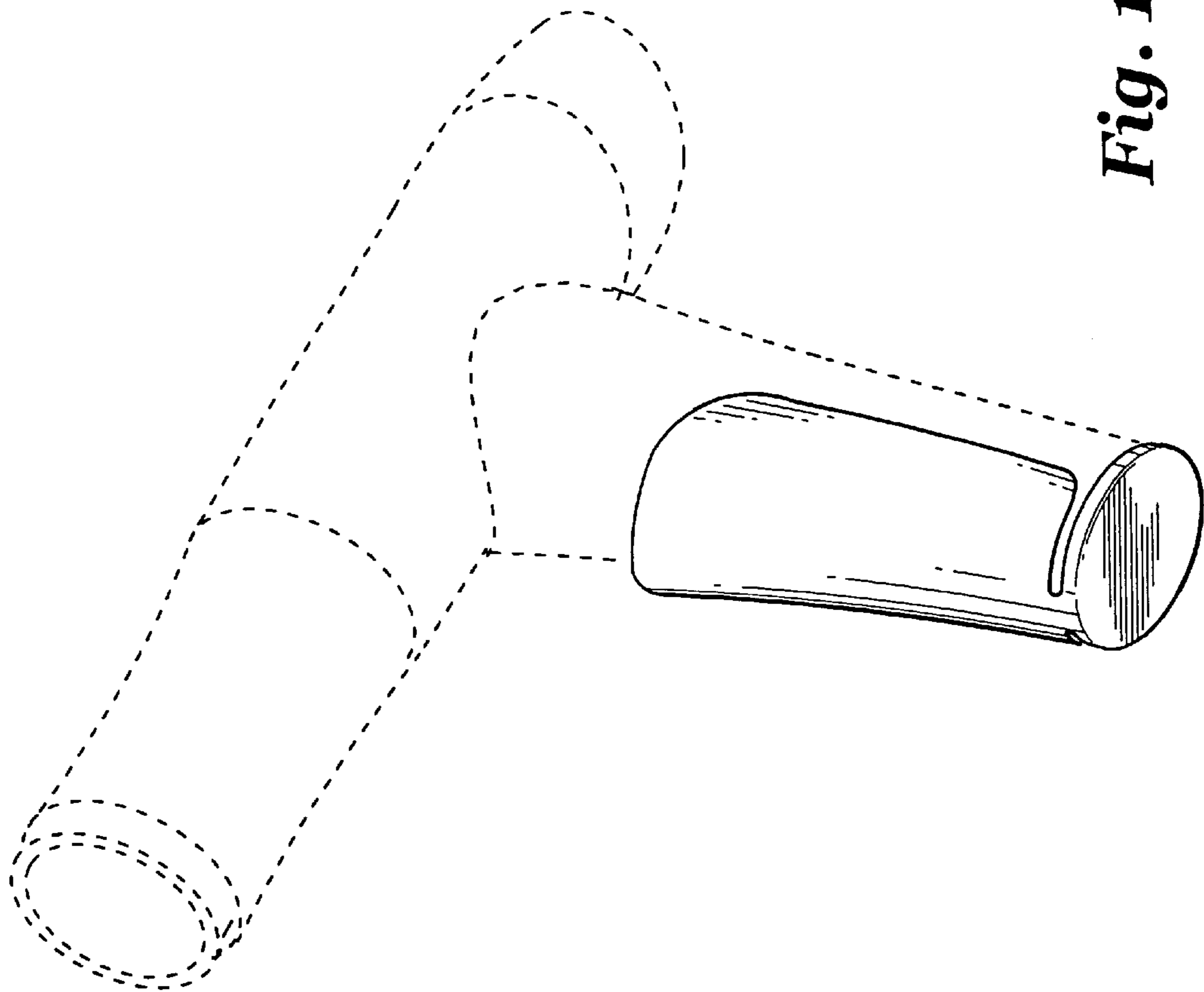
3,618,611 A	11/1971	Urban	
D301,199 S	* 5/1989	Zurwelle	..... D8/70
5,492,527 A	2/1996	Glowa et al.	
5,980,545 A	* 11/1999	Pacala et al.	..... 606/170
6,042,593 A	3/2000	Storz et al.	
6,152,941 A	* 11/2000	Himes et al.	..... 606/167
D439,334 S	* 3/2001	Hershberger et al.	..... D24/133

FIG. 1 is a side view of the disposable trigger shown mounted on a Surgical Tool;  
FIG. 2 is a front view thereof mounted on a Surgical Tool;  
FIG. 3 is a front view thereof;  
FIG. 4 is a rear view thereof;  
FIG. 5 is a top view thereof;  
FIG. 6 is a bottom view thereof; and,  
FIG. 7 is a side view thereof, the opposite side being a mirror image.

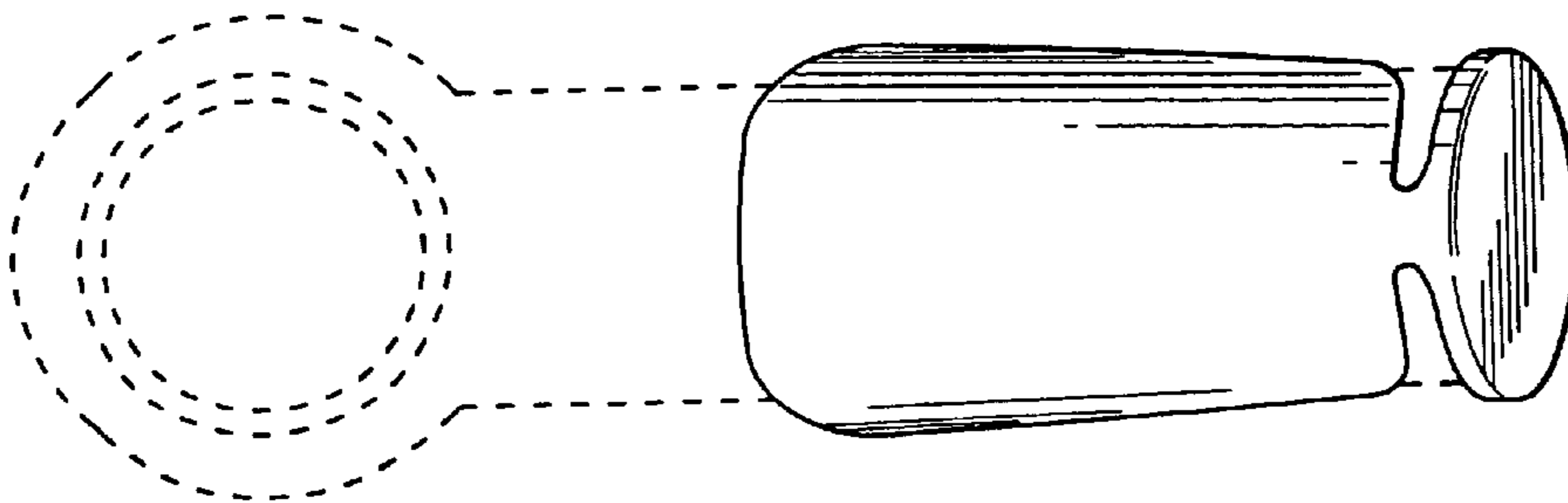
The broken line showing is for illustrative purposes only and does not form part of the claimed design.

**1 Claim, 3 Drawing Sheets**

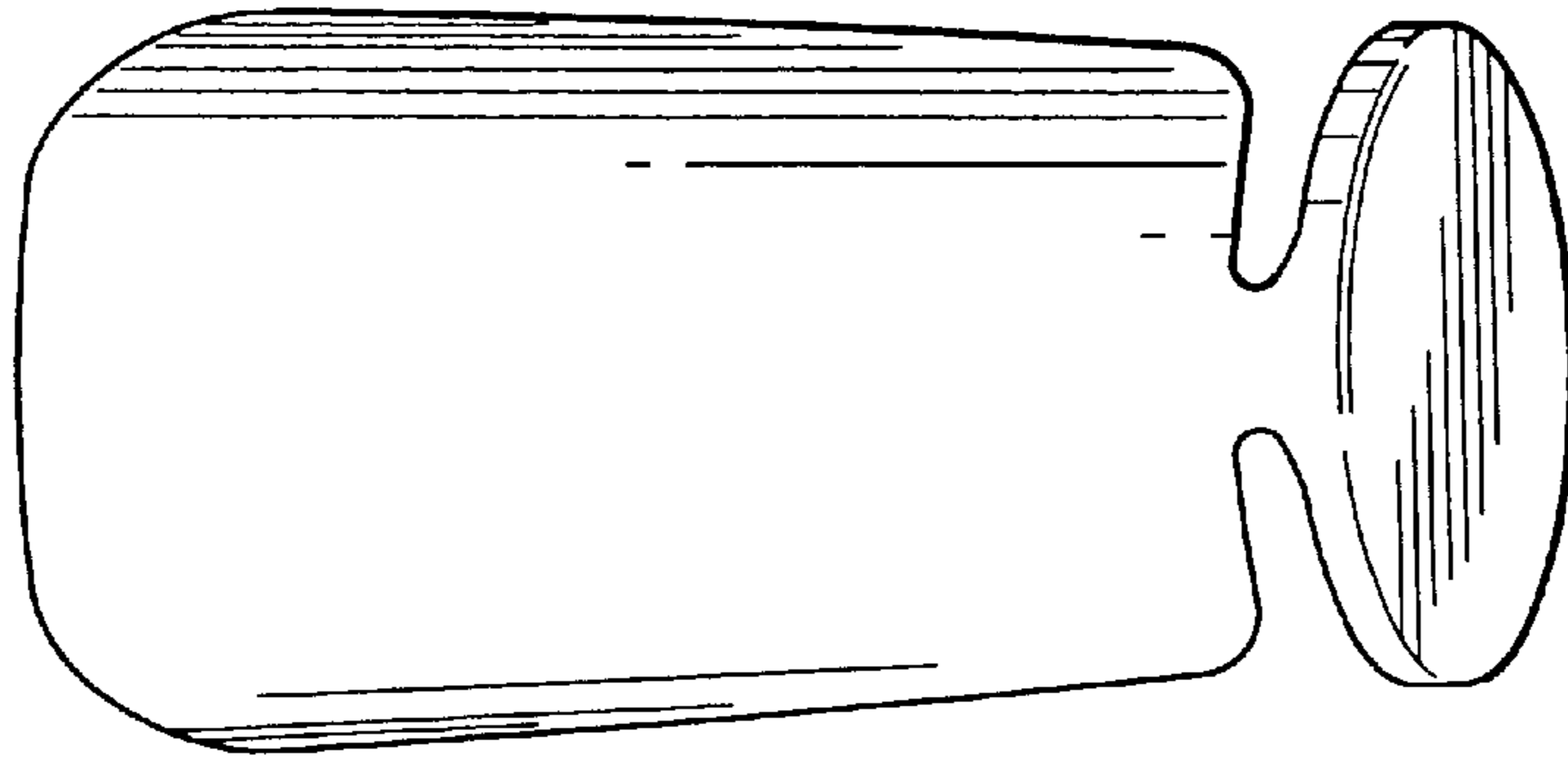




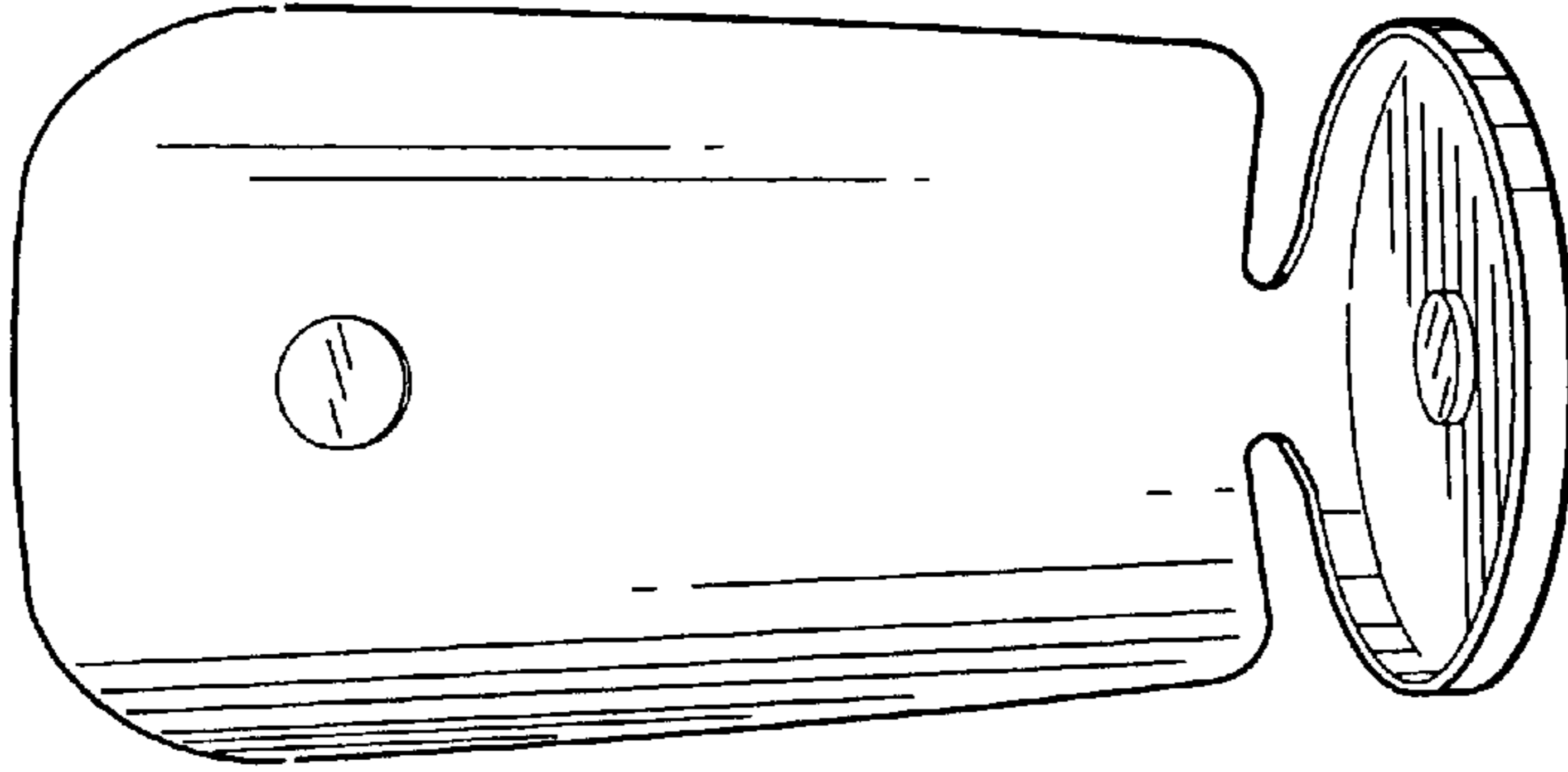
**Fig. 1**



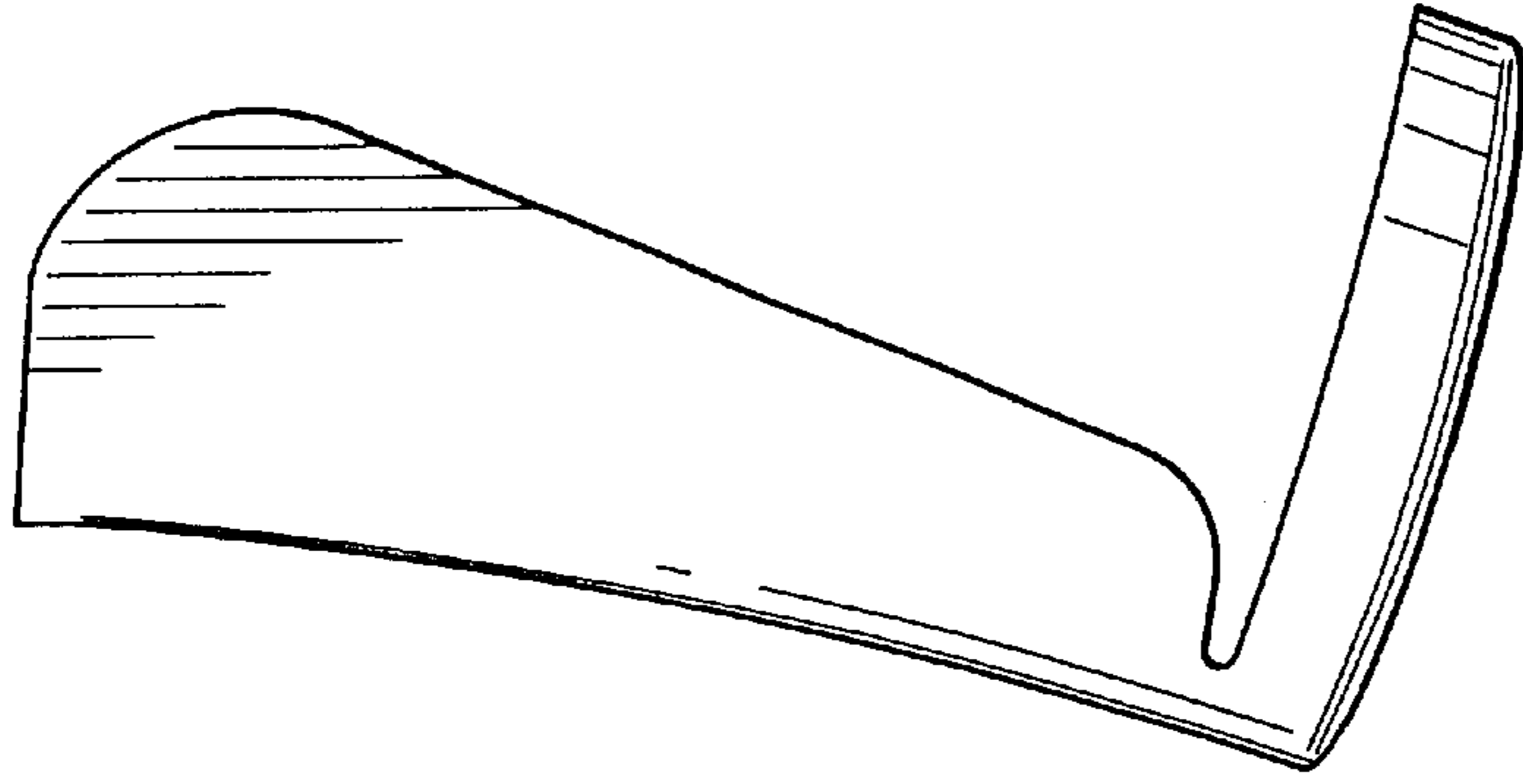
**Fig. 2**



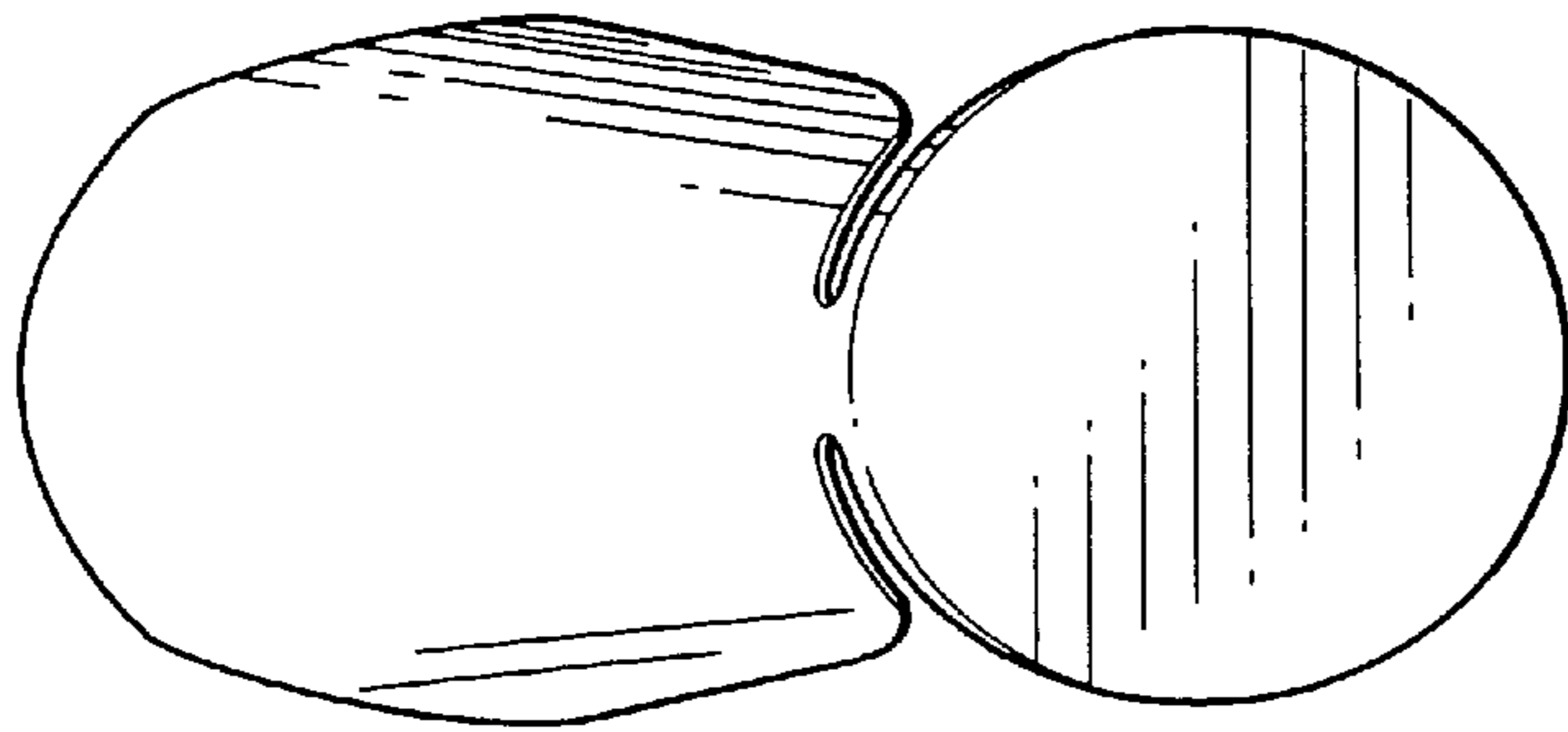
**Fig. 3**



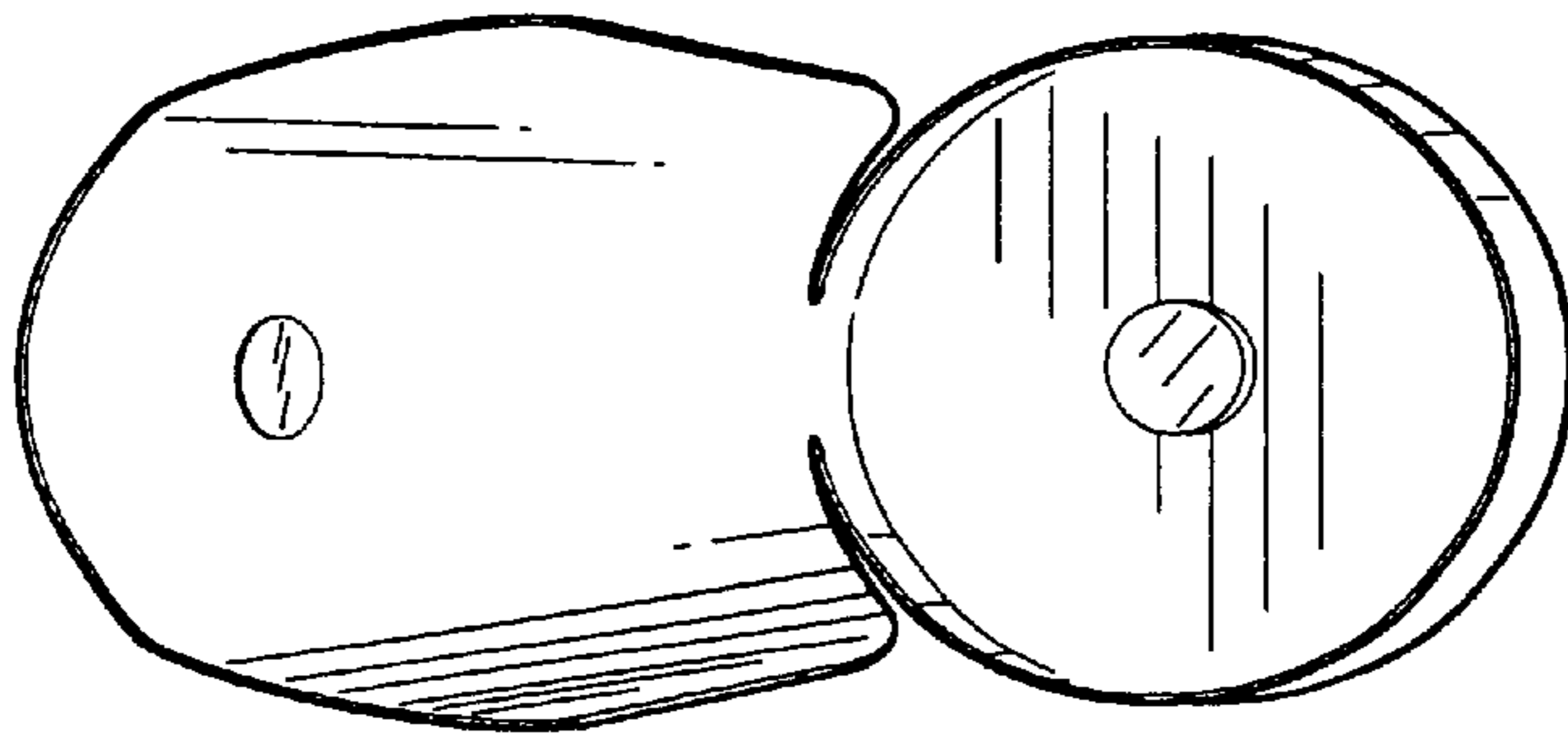
**Fig. 4**



**Fig. 7**



**Fig. 6**



**Fig. 5**