



US00D478662S

(12) **United States Design Patent**
Flinchbaugh

(10) **Patent No.:** **US D478,662 S**

(45) **Date of Patent:** **** Aug. 19, 2003**

(54) **URINARY DRAINAGE VALVE WITH SAMPLING PORT**

(76) **Inventor:** **David E. Flinchbaugh**, 4855 Big Oaks La., Orlando, FL (US) 32806-7826

(**) **Term:** **14 Years**

(21) **Appl. No.:** **29/159,549**

(22) **Filed:** **Apr. 23, 2002**

(51) **LOC (7) Cl.** **23-01**

(52) **U.S. Cl.** **D24/129**

(58) **Field of Search** D24/129, 130, D24/108; 604/95, 256, 86, 539, 167.04, 167.01

(56) **References Cited**

U.S. PATENT DOCUMENTS

3,990,445	A	*	11/1976	Lundquist	604/86
D283,725	S	*	5/1986	Mahoney	D23/235
D300,361	S	*	3/1989	Tokarz	D24/129
D323,889	S	*	2/1992	Wyatt et al.	D24/129

D357,307	S	*	4/1995	Ramacier et al.	D23/262
6,090,066	A	*	7/2000	Schnell	604/256
6,371,936	B1	*	4/2002	Heidick	604/905
6,468,251	B1	*	10/2002	Yamanaka et al.	604/256

* cited by examiner

Primary Examiner—Ian Simmons

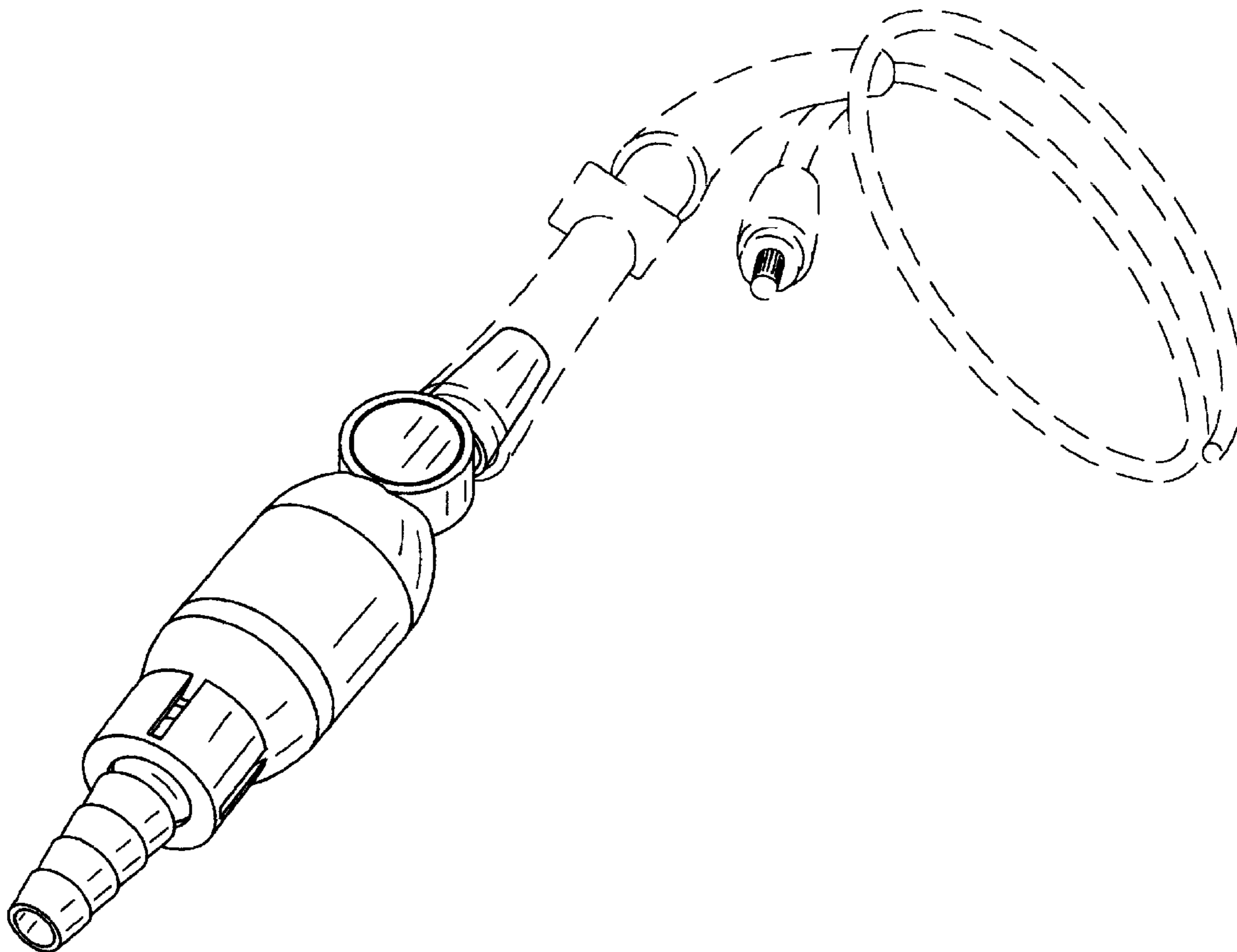
(57) **CLAIM**

The ornamental design for an urinary drainage valve with sampling port, as shown and described.

DESCRIPTION

FIG. 1 is a top plan view of a urinary drainage valve with sampling port showing my new design; FIG. 2 is a rear perspective view thereof; FIG. 3 is a front perspective view thereof; FIG. 4 is another rear perspective view thereof; FIG. 5 is another front perspective view thereof; and, FIG. 6 is another rear perspective view thereof, the broken line showing of a catheter is for illustrative purposes only and forms no part of the claim design.

1 Claim, 6 Drawing Sheets



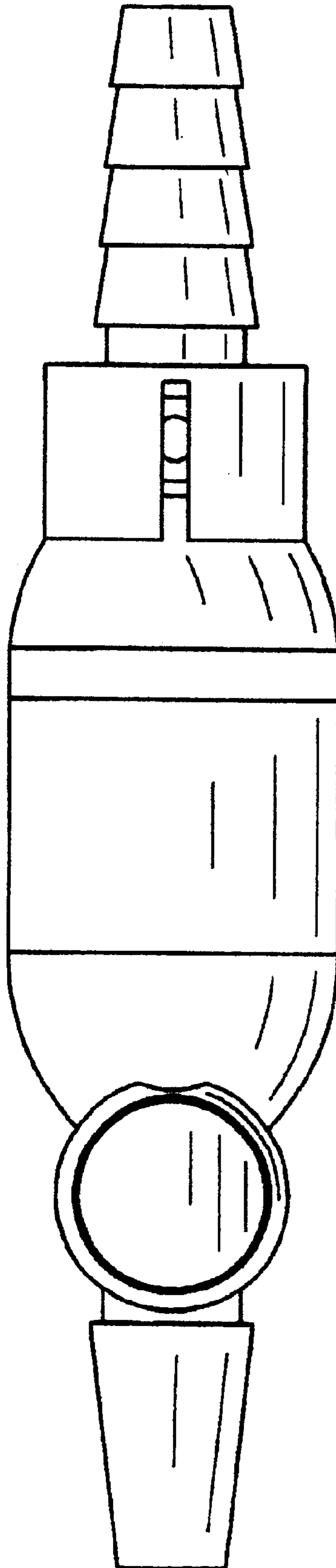


Fig. 1

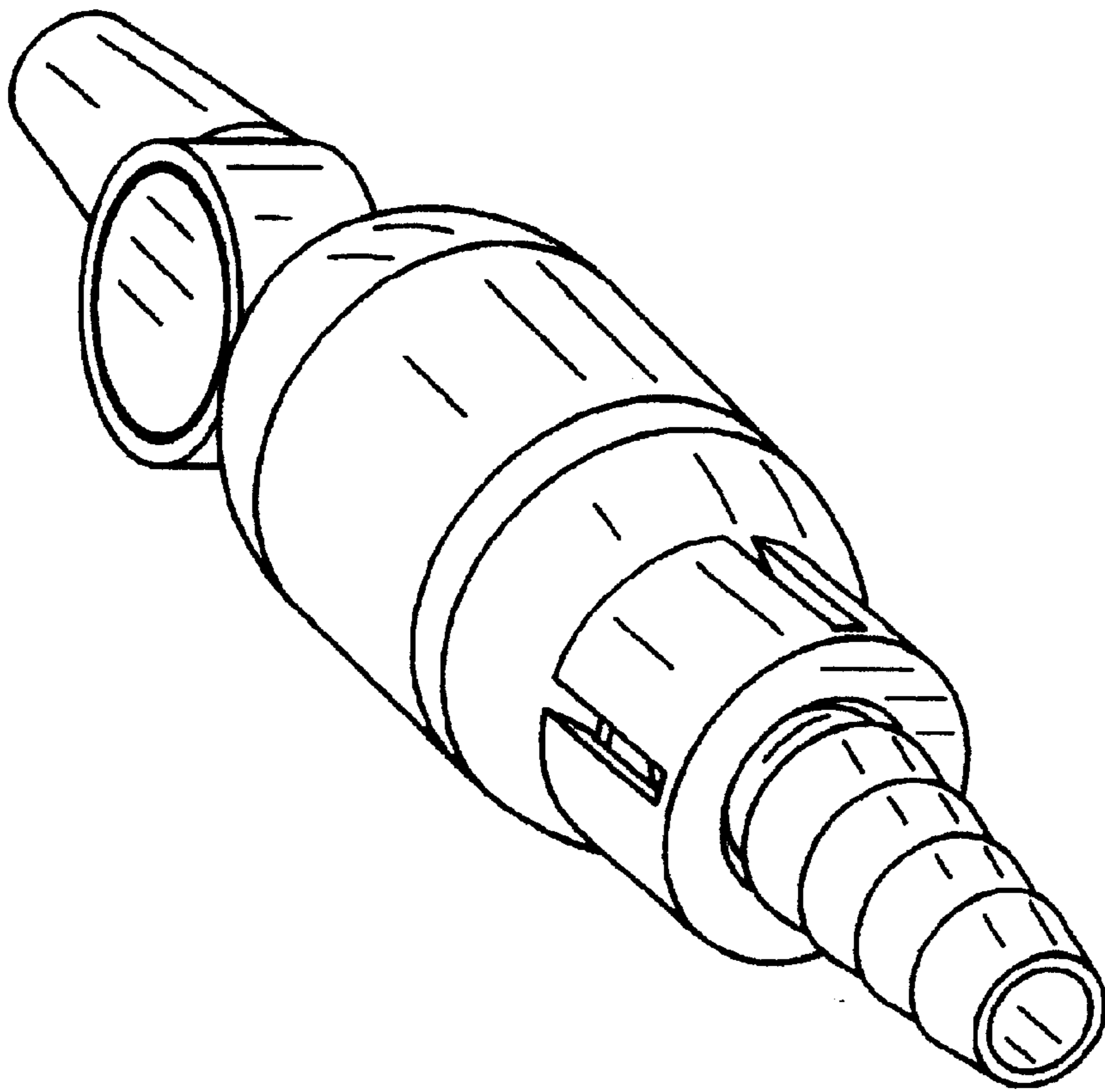


Fig. 2

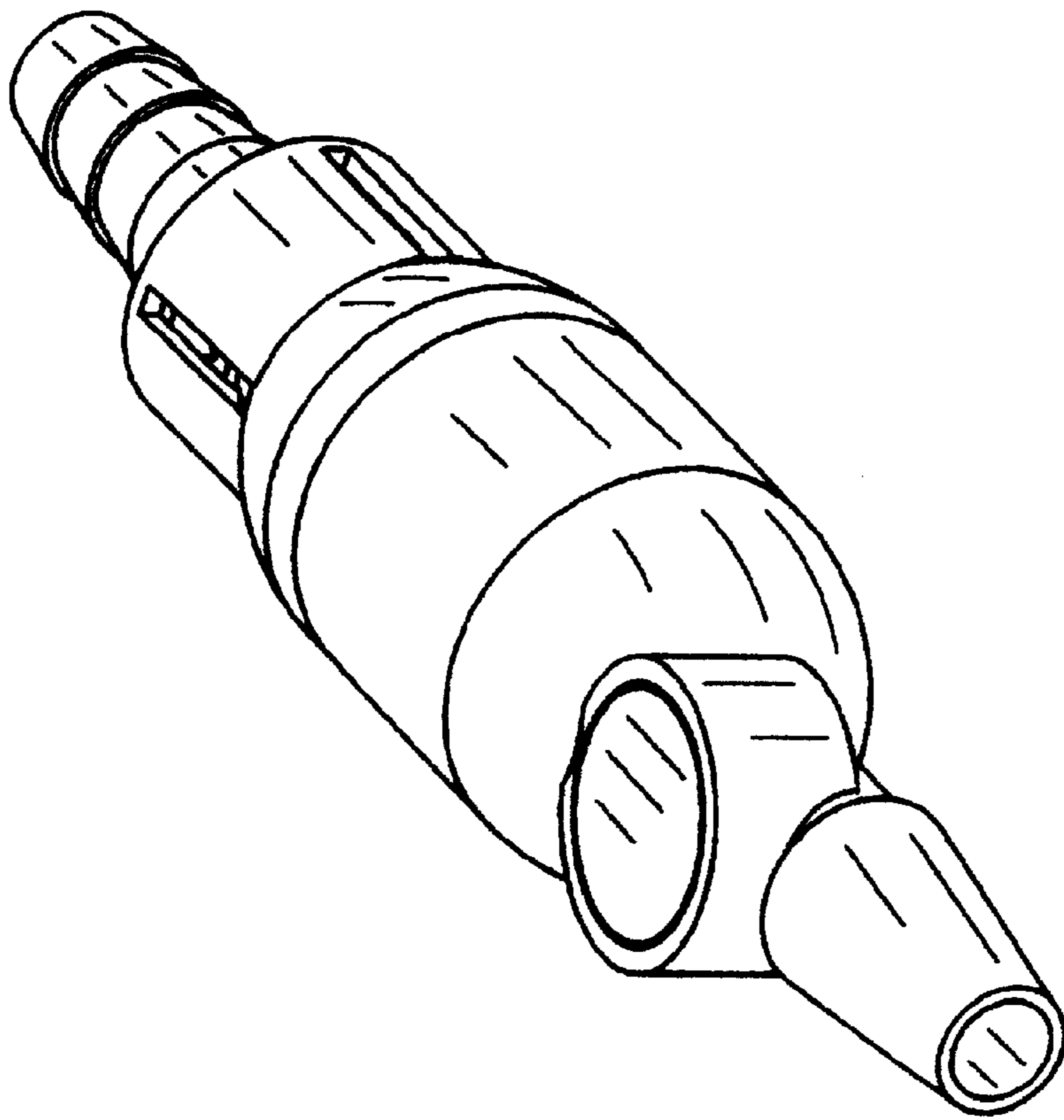


Fig. 3

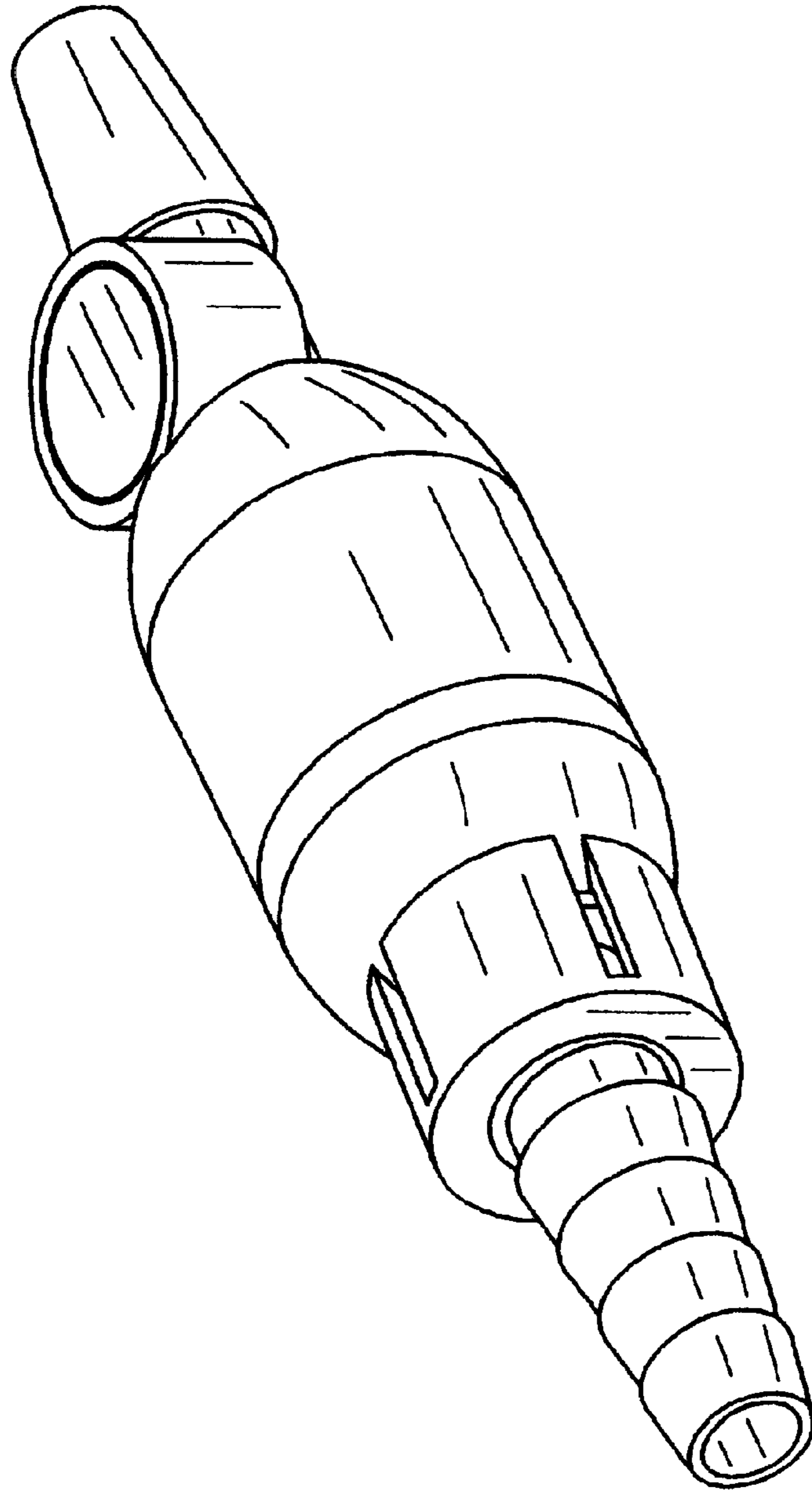


Fig. 4

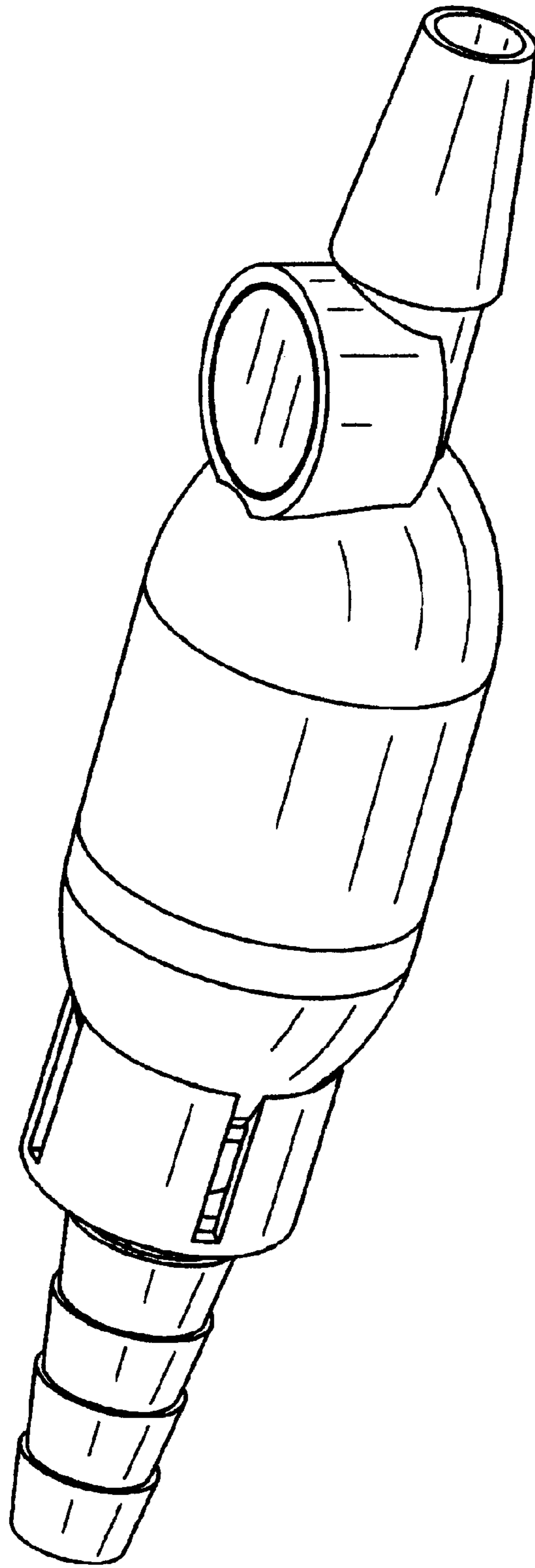


Fig. 5

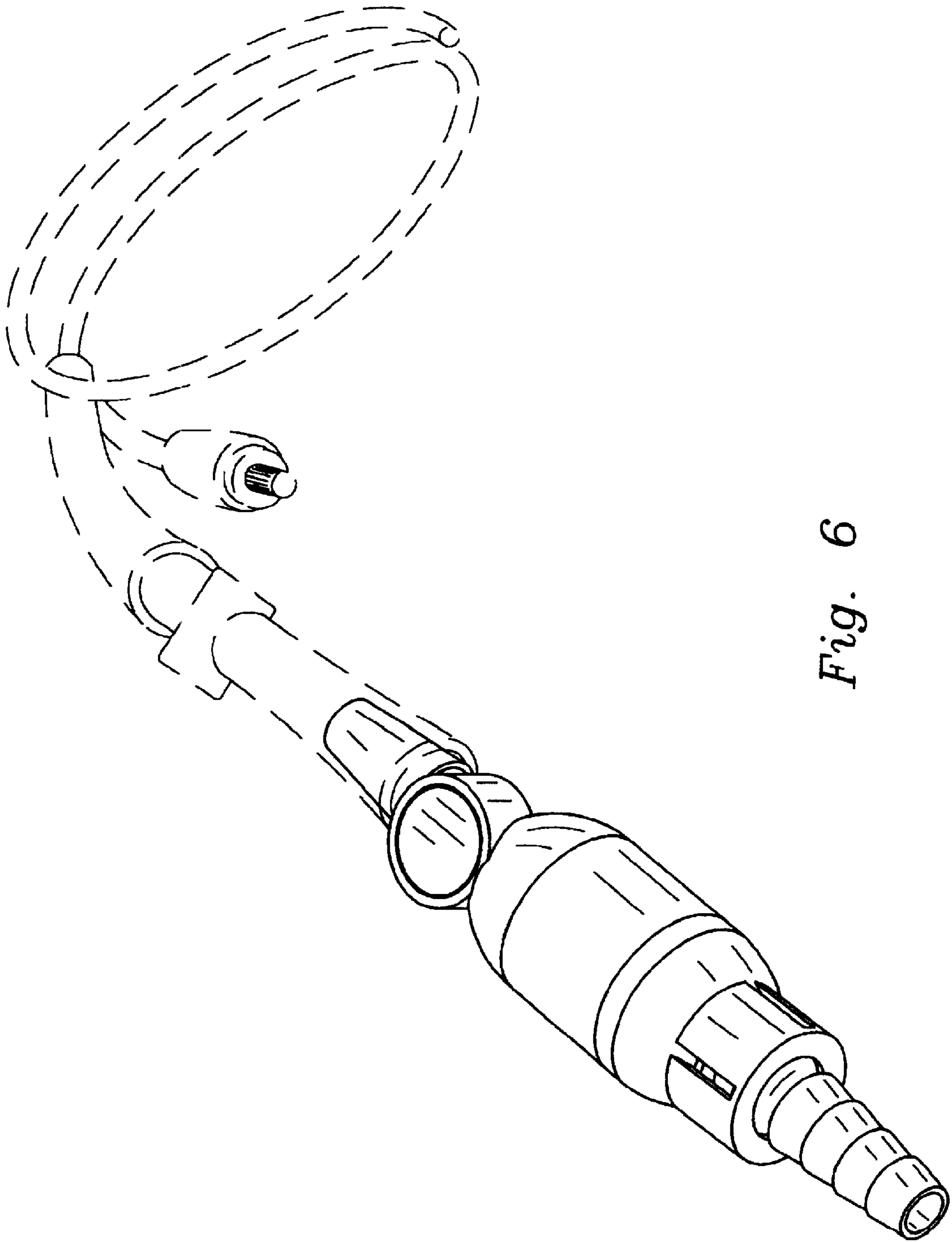


Fig. 6