



US00D478658S

(12) **United States Design Patent** (10) **Patent No.:** **US D478,658 S**
Falco (45) **Date of Patent:** **** Aug. 19, 2003**

(54) **EARPLUG**

(75) Inventor: **Robert N. Falco**, Indianapolis, IN (US)

(73) Assignee: **Cabot Safety Intermediate Corporation**, Newark, DE (US)

(**) Term: **14 Years**

(21) Appl. No.: **29/166,972**

(22) Filed: **Sep. 6, 2002**

(51) **LOC (7) Cl.** **24-04**

(52) **U.S. Cl.** **D24/106**

(58) **Field of Search** D24/106; 181/135,
181/129, 130; 128/864, 865; D29/112

(56) **References Cited**

U.S. PATENT DOCUMENTS

D245,202 S	*	7/1977	Asker	D24/106
D402,752 S	*	12/1998	Falco	D24/106
D413,379 S	*	8/1999	Leight	D24/106
5,957,136 A	*	9/1999	Magidson et al.	128/864
6,241,042 B1	*	6/2001	Falco	181/135
6,286,622 B1	*	9/2001	Tiemann	181/135
D466,995 S	*	12/2002	Knauer et al.	D24/106

* cited by examiner

Primary Examiner—Ian Simmons

(74) *Attorney, Agent, or Firm*—Cantor Colburn LLP

(57) **CLAIM**

The ornamental design for an earplug, as shown and described.

DESCRIPTION

FIG. 1 is a perspective view of an earplug, showing my new design;

FIG. 2 is a side elevational view thereof, the opposite side being a mirror image thereof;

FIG. 3 is another side elevational view thereof, the opposite side being a mirror image thereof;

FIG. 4 is a top plan view thereof;

FIG. 5 is a bottom plan view thereof;

FIG. 6 is a perspective view of a stem portion of the earplug of FIG. 1;

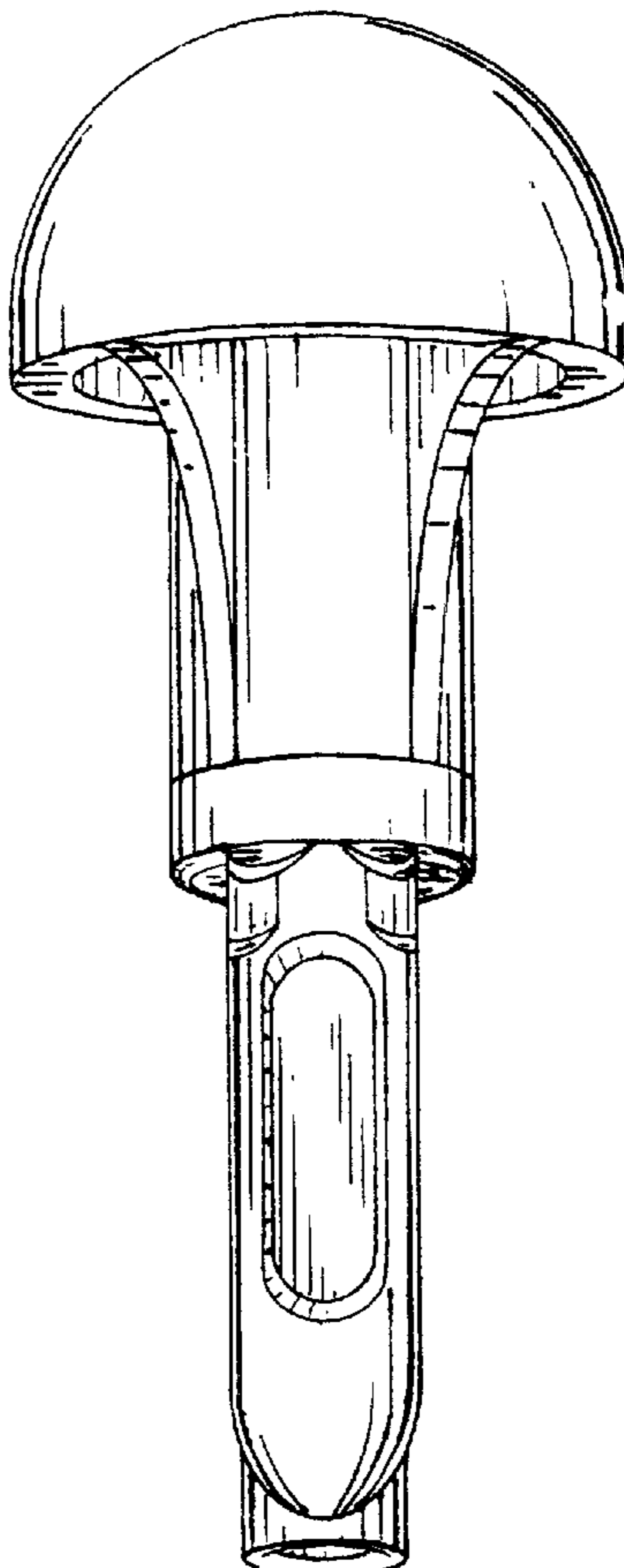
FIG. 7 is a side elevational view thereof, the opposite side view being a mirror image thereof;

FIG. 8 is another side elevational view thereof, the opposite side view being a mirror image thereof;

FIG. 9 is a top plan view thereof; and,

FIG. 10 is a bottom plan view thereof.

1 Claim, 3 Drawing Sheets



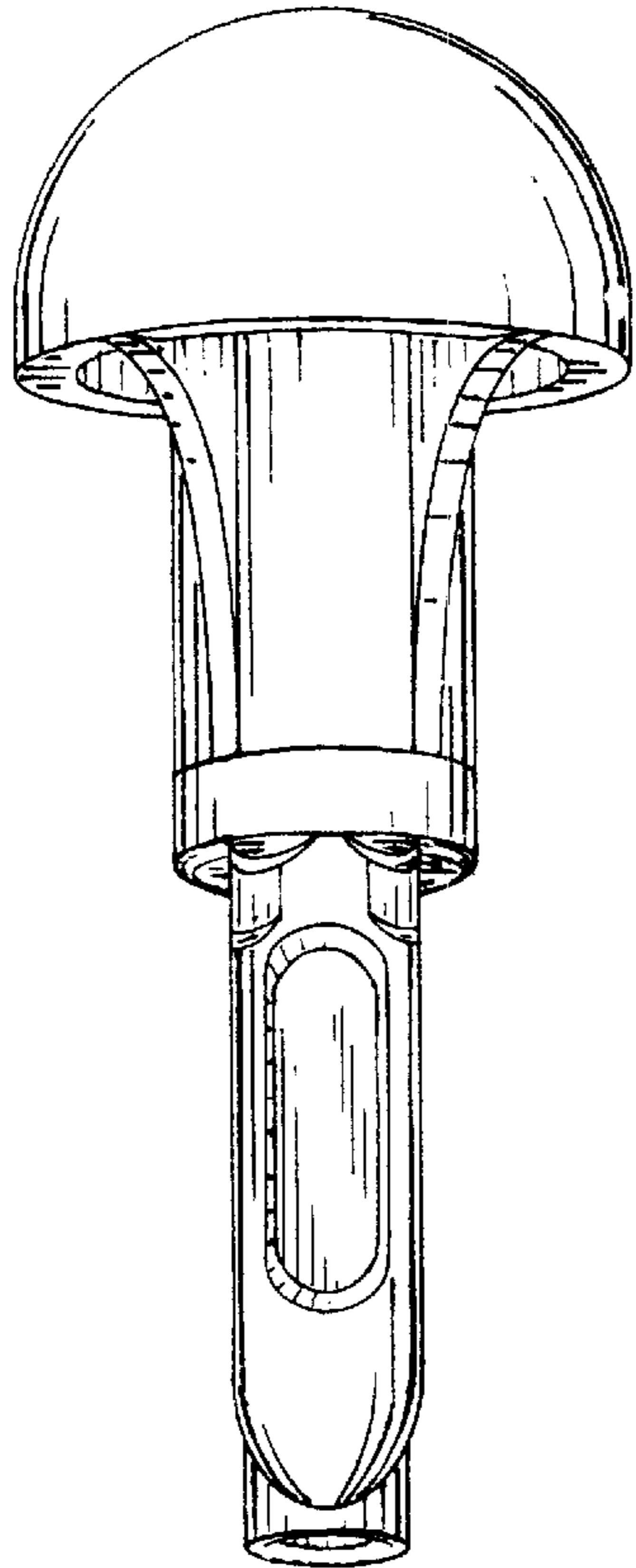


FIG. 1

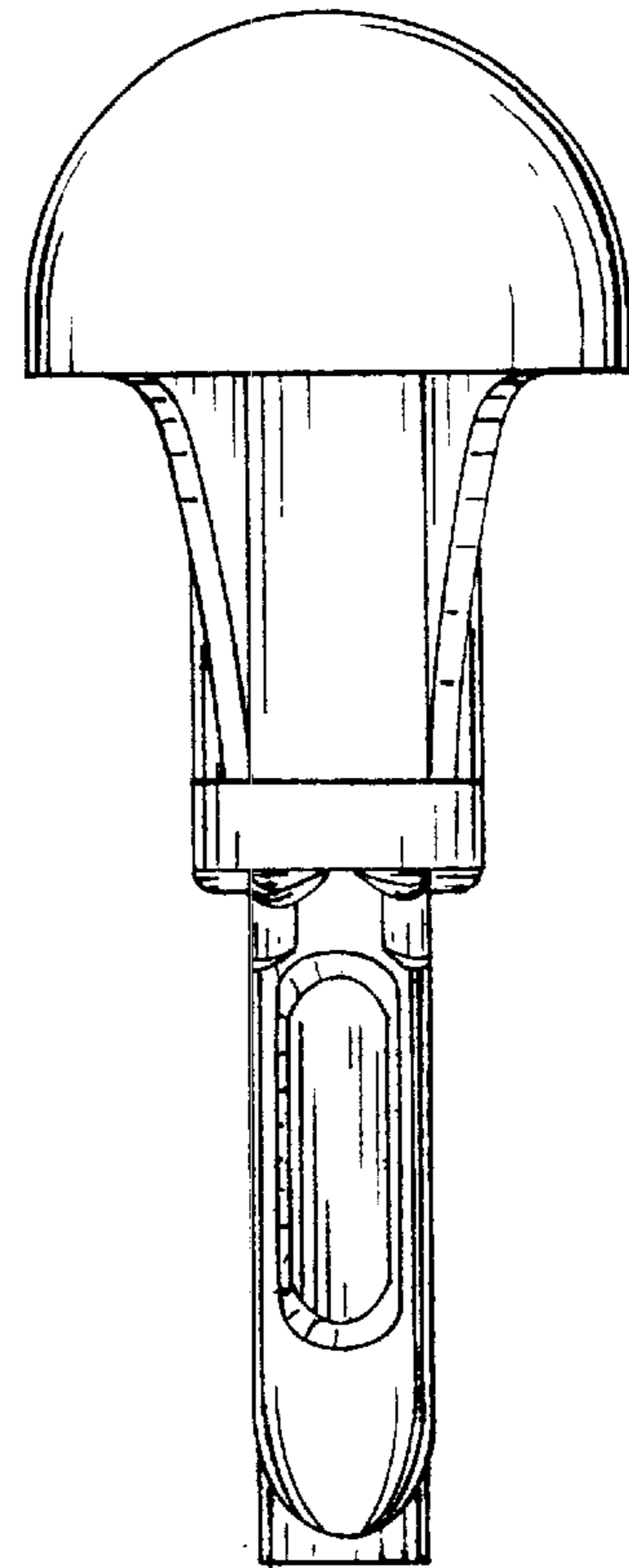


FIG. 2

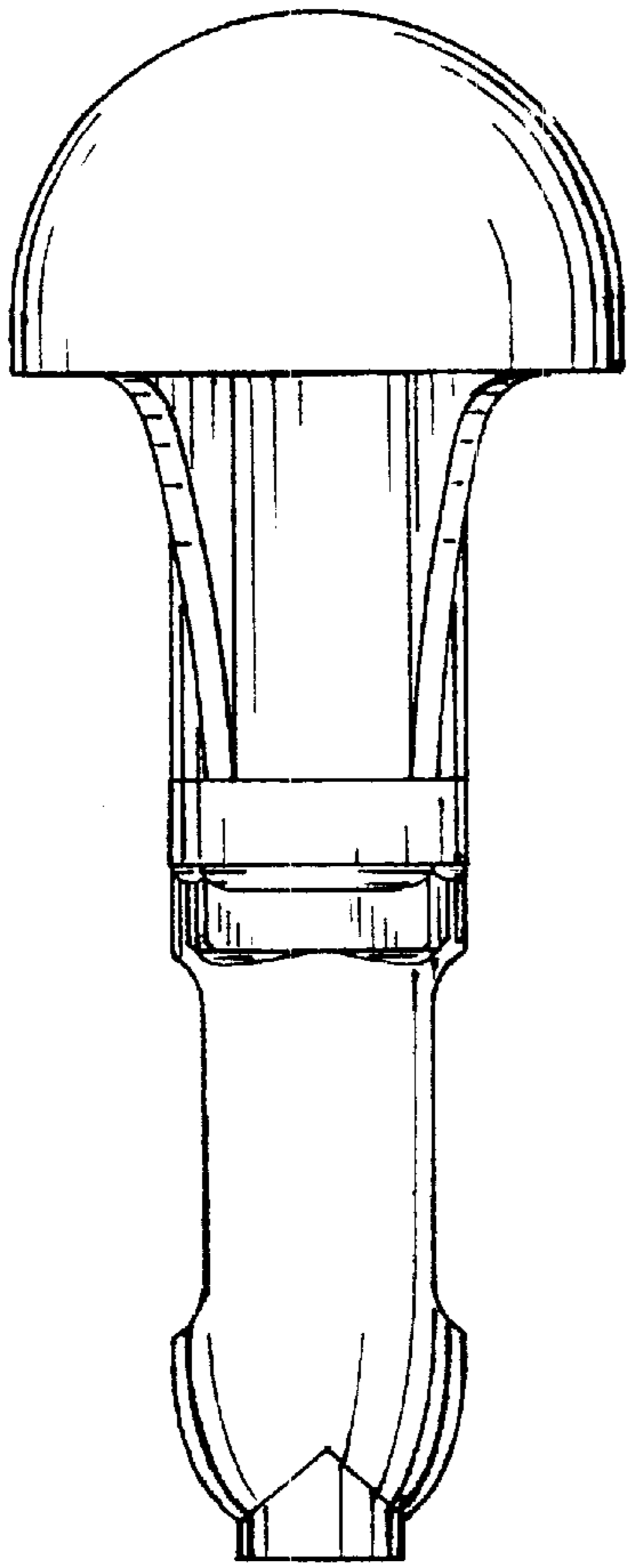


FIG. 3

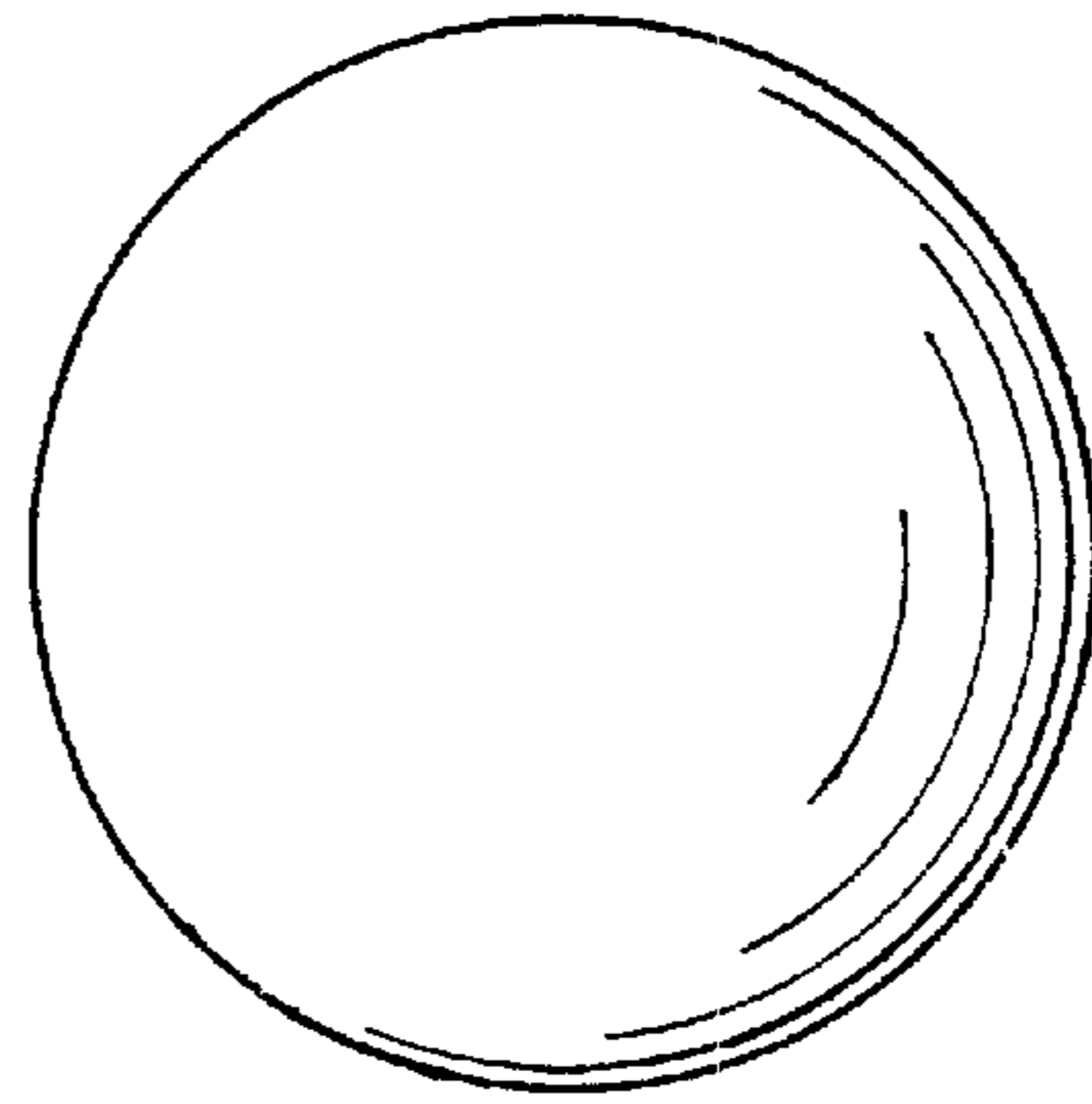


FIG. 4

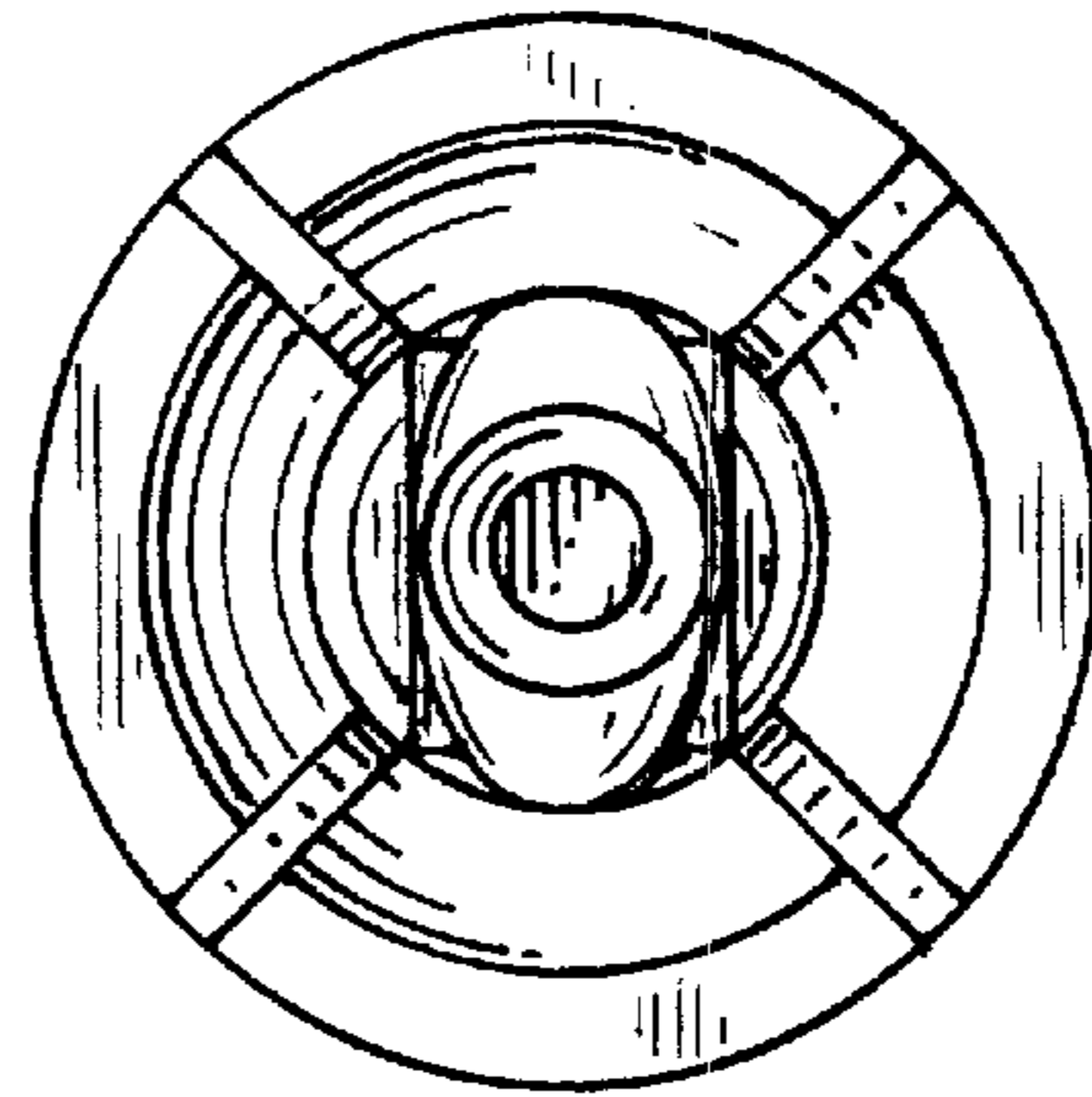


FIG. 5

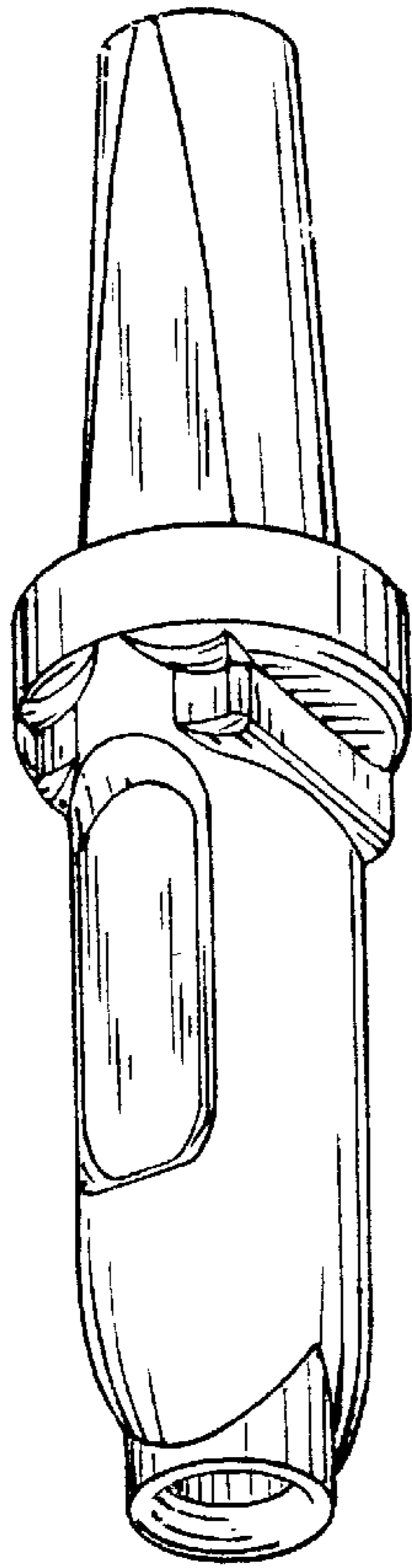


FIG. 6

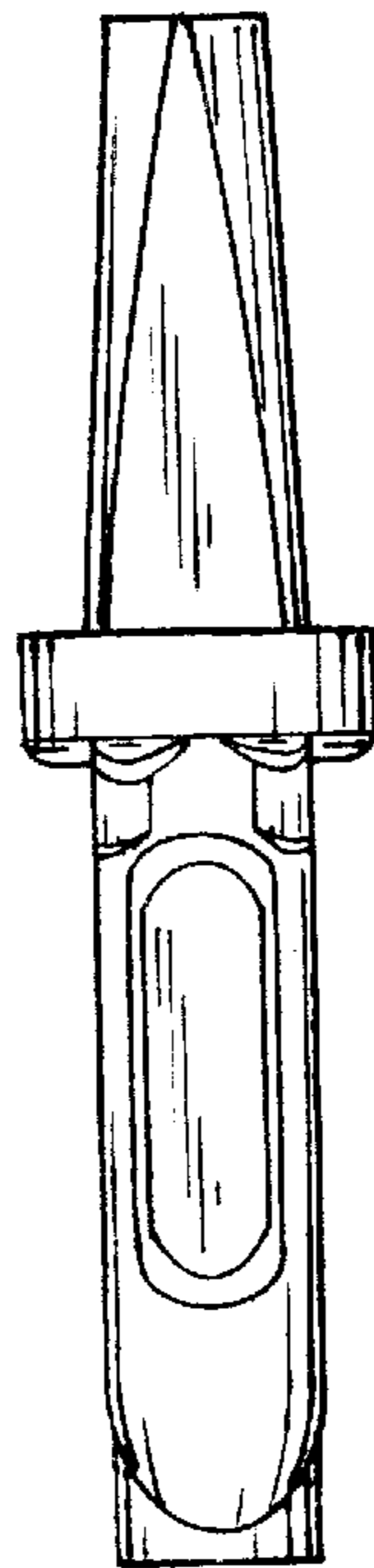


FIG. 7

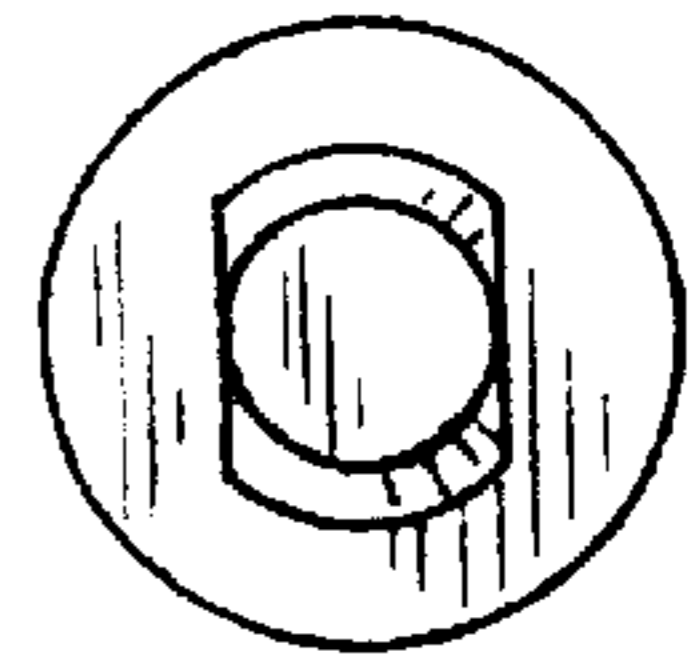


FIG. 9

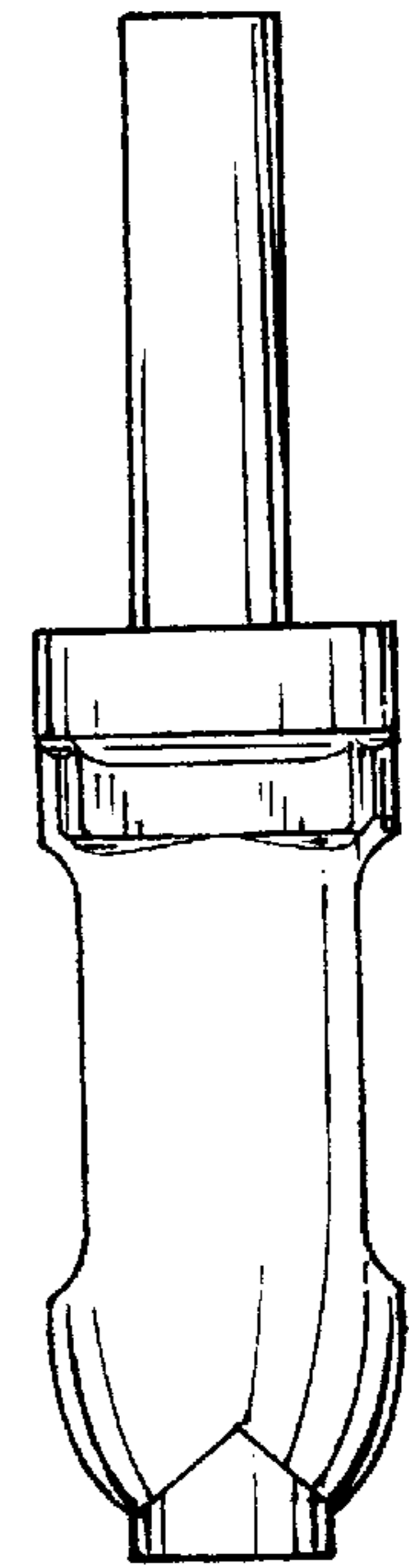


FIG. 8

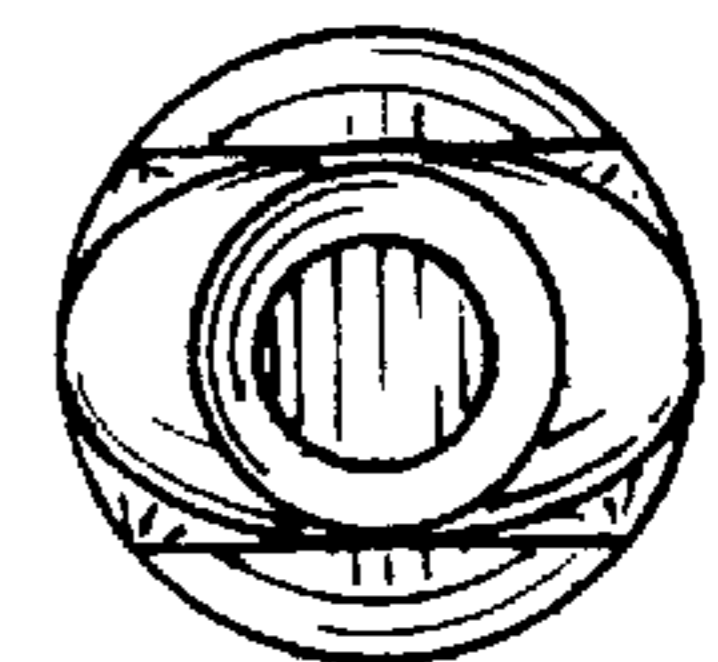


FIG. 10