



US00D478655S

(12) **United States Design Patent**
Gajewski

(10) **Patent No.:** **US D478,655 S**

(45) **Date of Patent:** **** Aug. 19, 2003**

(54) **CEILING FAN BLADE**

(75) **Inventor:** **Mark Gajewski**, San Luis Obispo, CA
(US)

(73) **Assignee:** **Minka Lighting, Inc.**, Corona, CA
(US)

(**) **Term:** **14 Years**

(21) **Appl. No.:** **29/161,304**

(22) **Filed:** **May 28, 2002**

(51) **LOC (7) Cl.** **23-04**

(52) **U.S. Cl.** **D23/413**

(58) **Field of Search** D23/413, 377,
D23/379, 385, 411; 416/5; 392/364; D26/59,
51, 81-86, 88, 72; 362/96

(56) **References Cited**

U.S. PATENT DOCUMENTS

- D417,496 S * 12/1999 Chang et al. D23/377
- D417,499 S * 12/1999 Zuege D23/411
- D428,133 S * 7/2000 Chen D23/411

OTHER PUBLICATIONS

Minka Lighting, Inc.; MinkaAire Two Thousand Two; Apr. 22, 2002; pp. 24, 25; Minka Lighting, Inc.; U.S.A.

* cited by examiner

Primary Examiner—Lisa Lichtenstein
(74) *Attorney, Agent, or Firm*—Jenkins & Gilchrist, P.C.

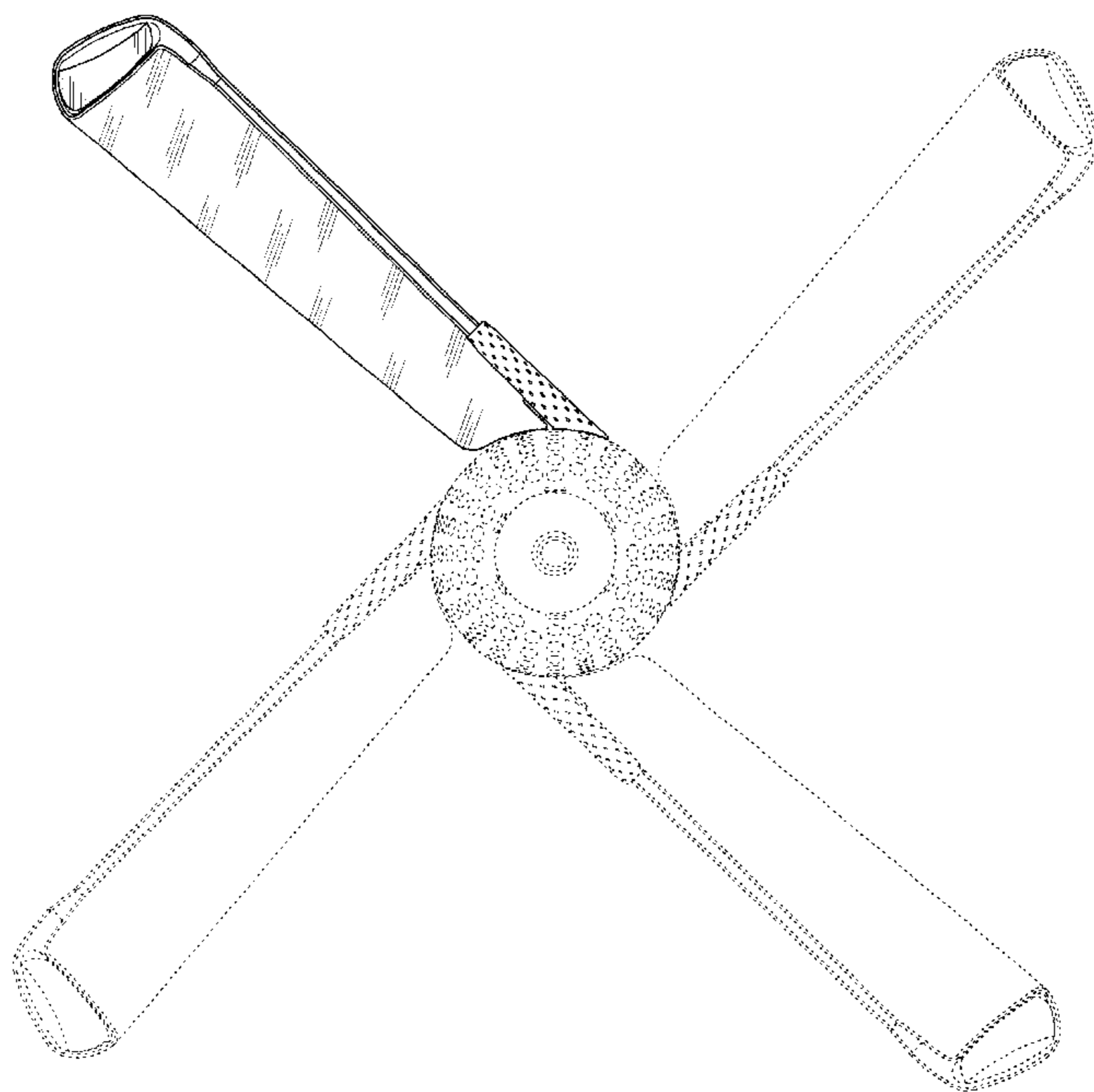
(57) **CLAIM**

The ornamental design for the ceiling fan blade, as shown and described.

DESCRIPTION

FIG. 1 is a top view of the ceiling fan blade illustrating the environment of the blade in accordance with my design; FIG. 2 is a bottom view of the ceiling fan blade illustrating the environment of the blade in accordance with my design; FIG. 3 is a side elevation view of the ceiling fan blade illustrating the environment of the blade in accordance with my design; FIG. 4 is a front elevation view of the ceiling fan blade illustrating the environment of the blade in accordance with my design; FIG. 5 is a top view of the ceiling fan blade in accordance with my design; FIG. 6 is an enlarged right side elevation view of the ceiling fan blade in accordance with my design; FIG. 7 is a bottom view of the ceiling fan blade in accordance with my design; FIG. 8 is an enlarged left side elevation view of the ceiling fan blade in accordance with my design; FIG. 9 is a front end view of the ceiling fan blade in accordance with my design; and, FIG. 10 is an enlarged cross-section view of the ceiling fan blade taken along lines 10—10 in FIG. 5. The broken line showing of environmental structure in FIGS. 1-4 is for illustrative purposes only and forms no part of the claimed design.

1 Claim, 4 Drawing Sheets



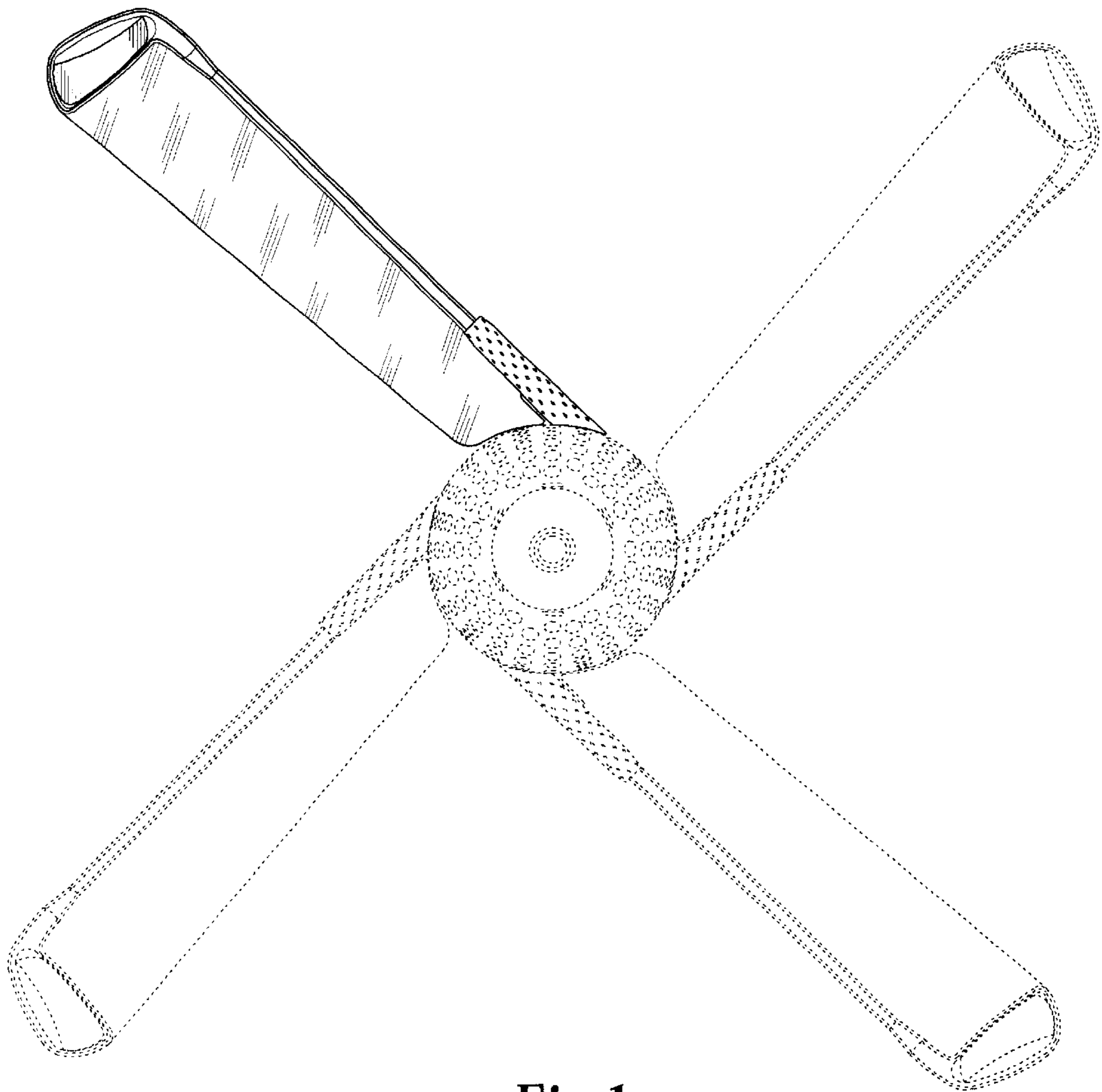


Fig.1

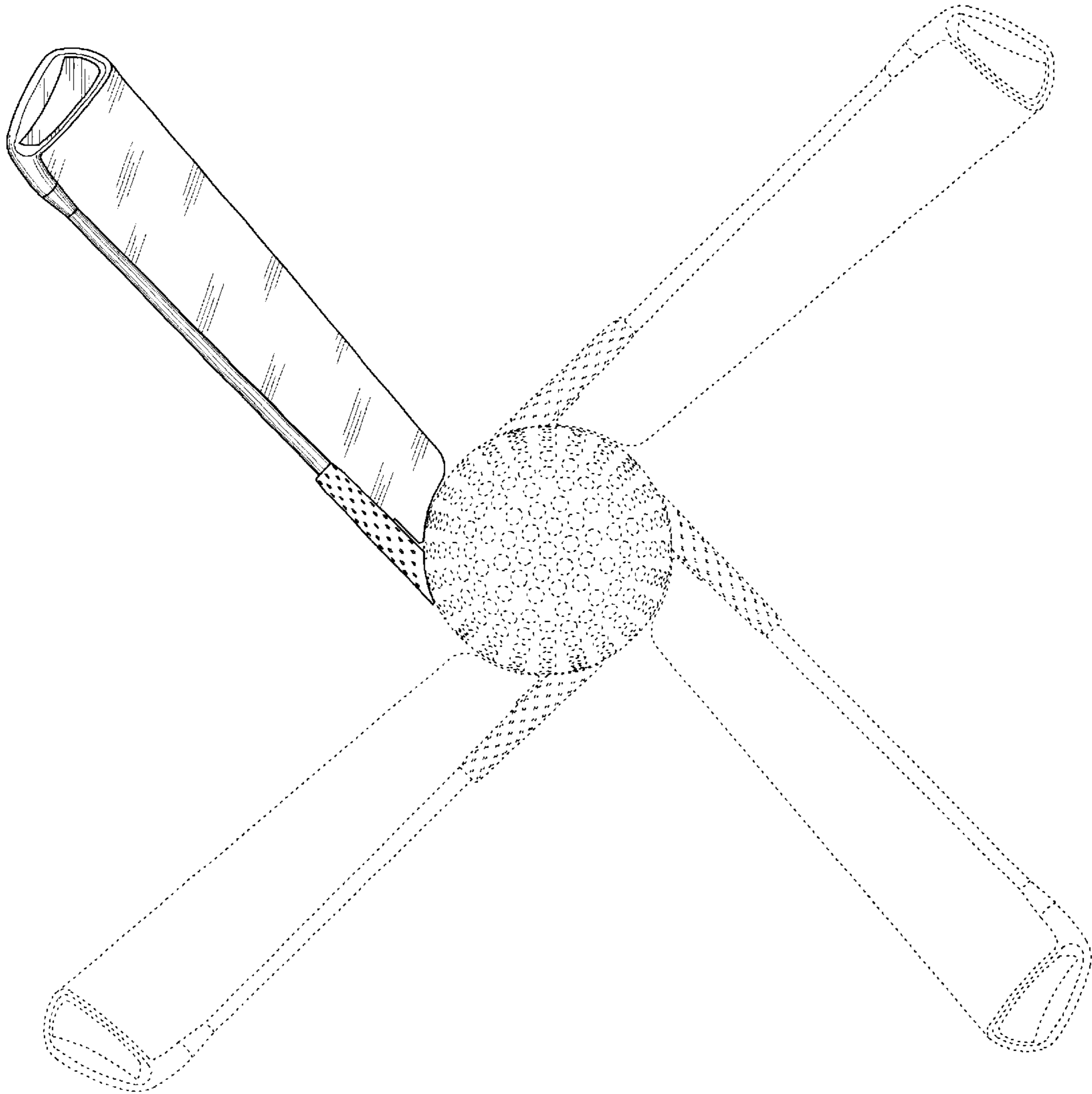


Fig.2

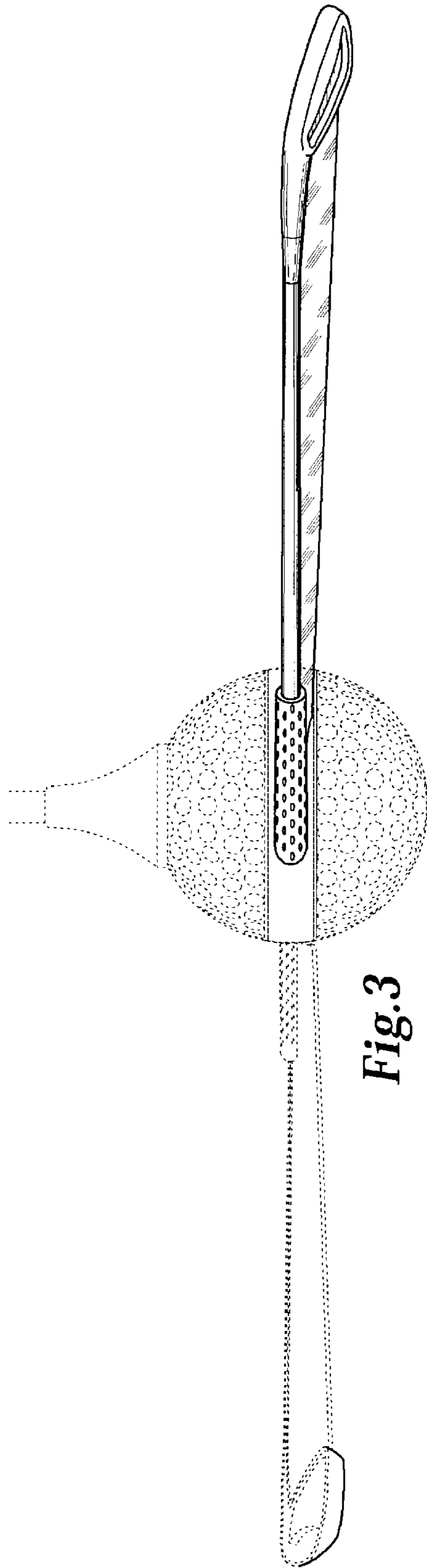


Fig. 3

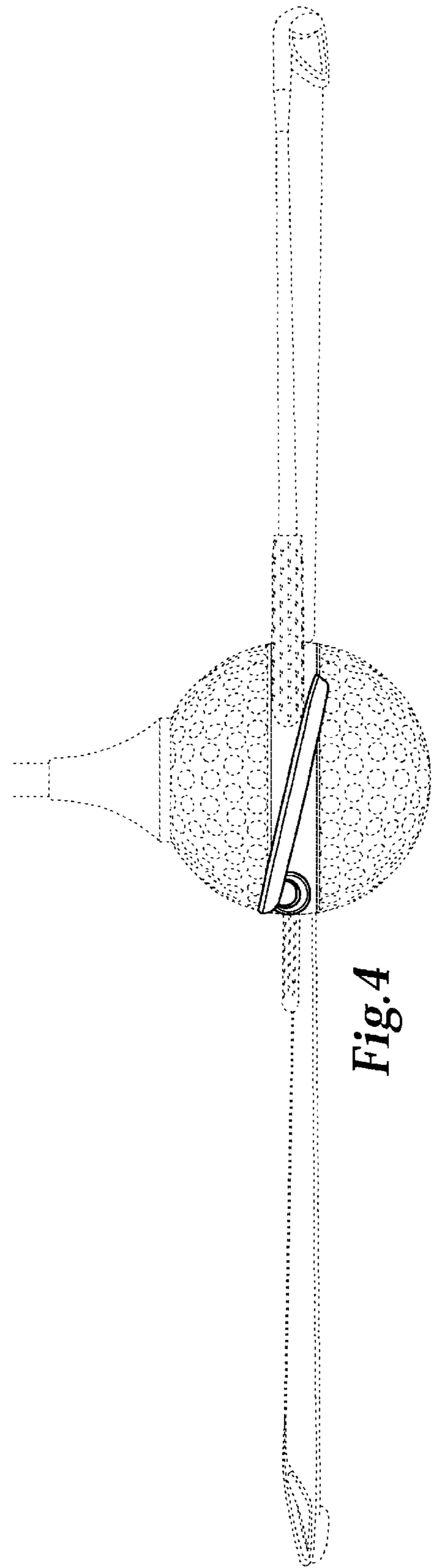


Fig. 4

