



US00D478652S

(12) **United States Design Patent**
Lai

(10) **Patent No.:** **US D478,652 S**

(45) **Date of Patent:** **** Aug. 19, 2003**

(54) **GOOSENECK FAUCET OF A DRINKING BOWL**

Primary Examiner—Louis S. Zarfaz
Assistant Examiner—Gregory Andoll

(76) **Inventor:** **Cheng-Fu Lai**, 58, Ma Yuan West St., Taichung (TW)

(57) **CLAIM**

(**) **Term:** **14 Years**

The ornamental design for a gooseneck faucet of a drinking bowl, as shown and described.

(21) **Appl. No.:** **29/172,208**

DESCRIPTION

(22) **Filed:** **Dec. 3, 2002**

(51) **LOC (7) Cl.** **23-01**

(52) **U.S. Cl.** **D23/238**

(58) **Field of Search** D23/238-243,
D23/250-257; 4/675-678; 137/801

FIG. 1 is a perspective view of a gooseneck faucet of a drinking bowl showing my new design;

FIG. 2 is a front elevational view thereof;

FIG. 3 is a rear elevational view thereof;

FIG. 4 is a left side elevational view thereof;

FIG. 5 is a right side elevational view thereof;

FIG. 6 is a top plan view thereof; and,

FIG. 7 is a bottom plan view thereof.

(56) **References Cited**

U.S. PATENT DOCUMENTS

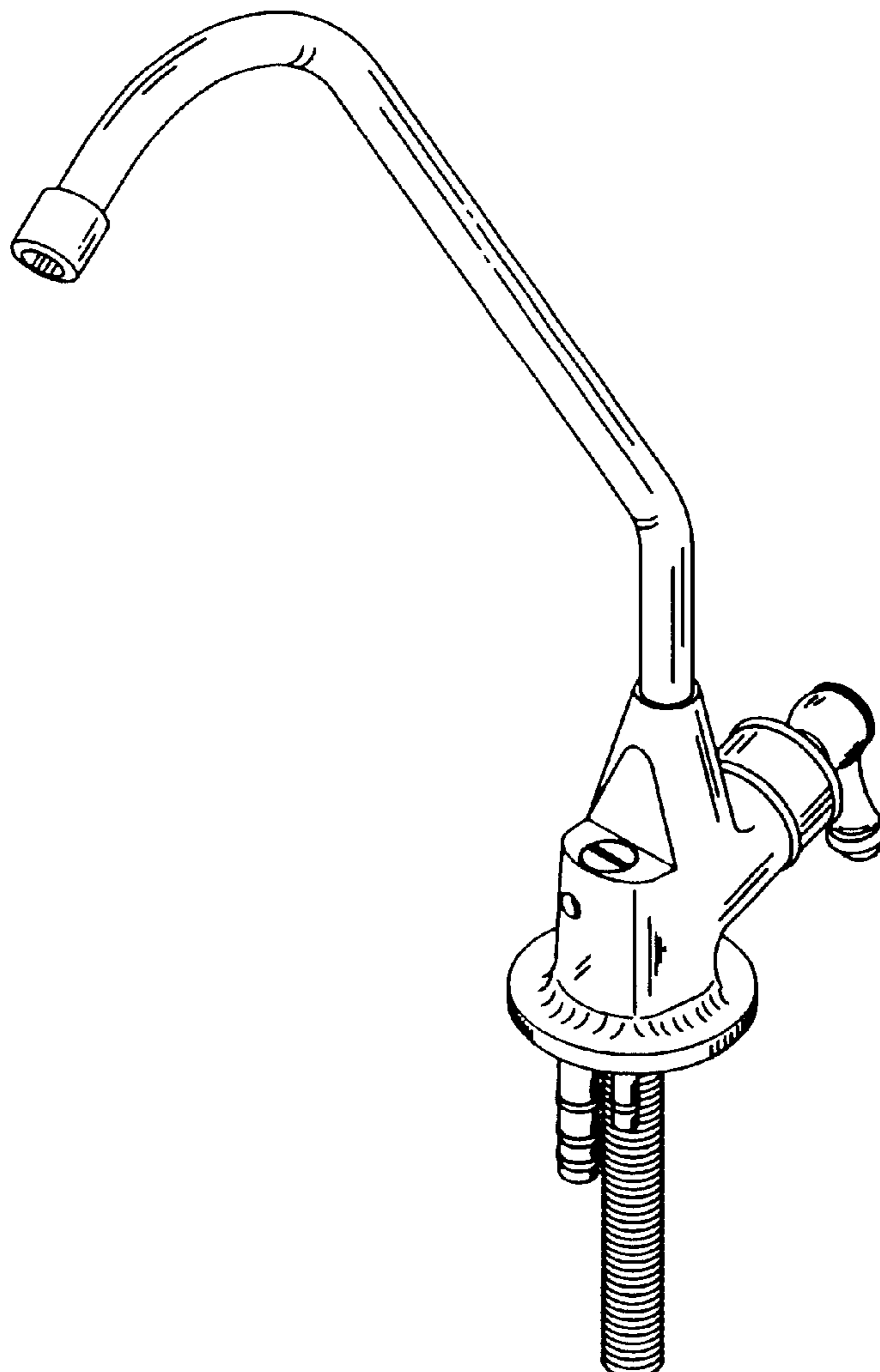
D255,595 S * 6/1980 Lampe et al. D23/238

D326,708 S * 6/1992 Williams D23/238

D463,529 S * 9/2002 Dretzka D23/238

* cited by examiner

1 Claim, 6 Drawing Sheets



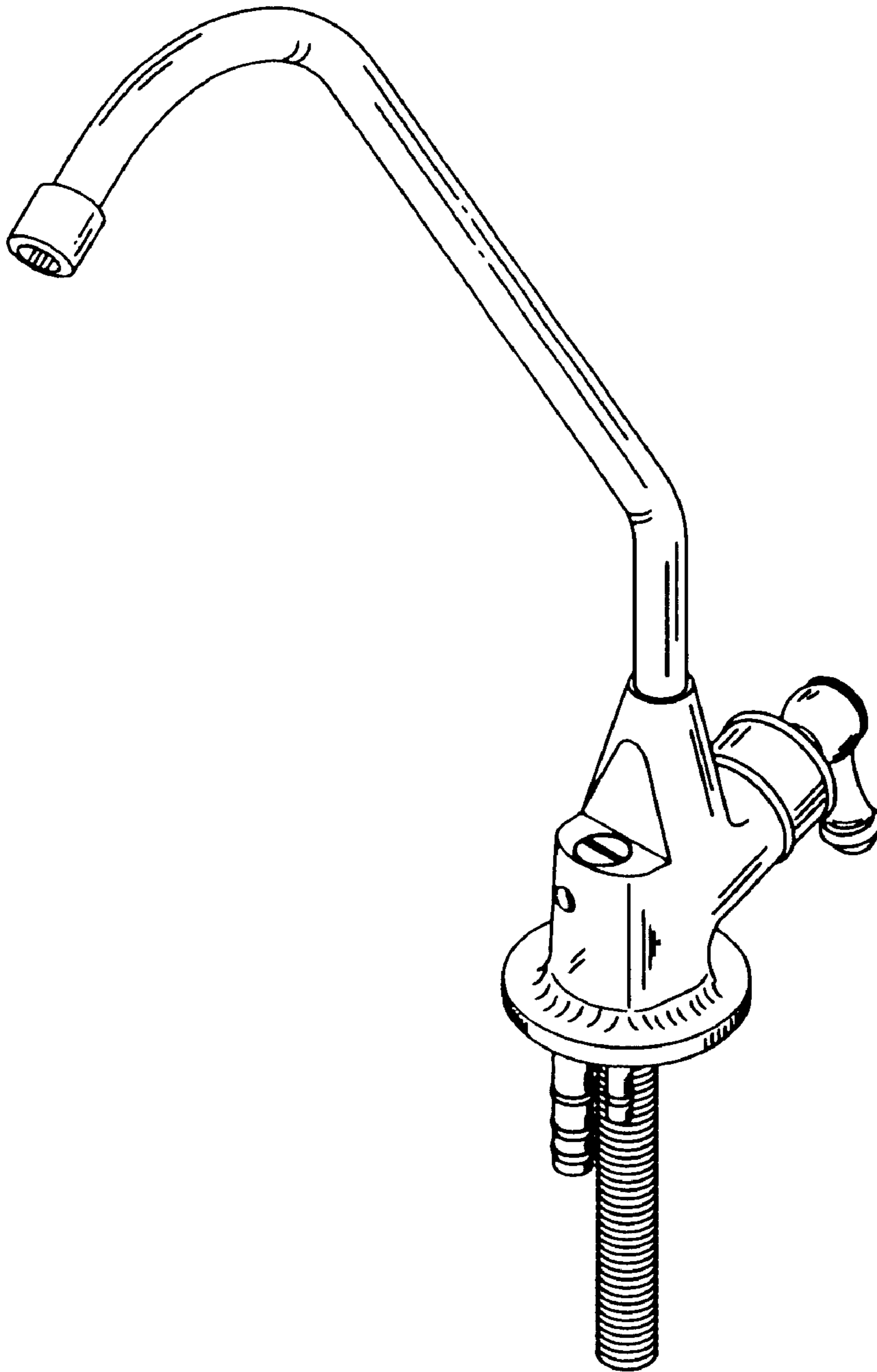
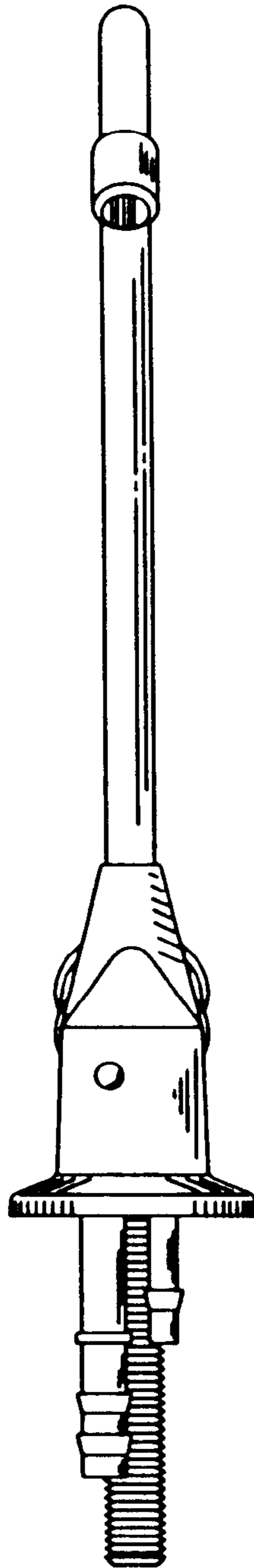
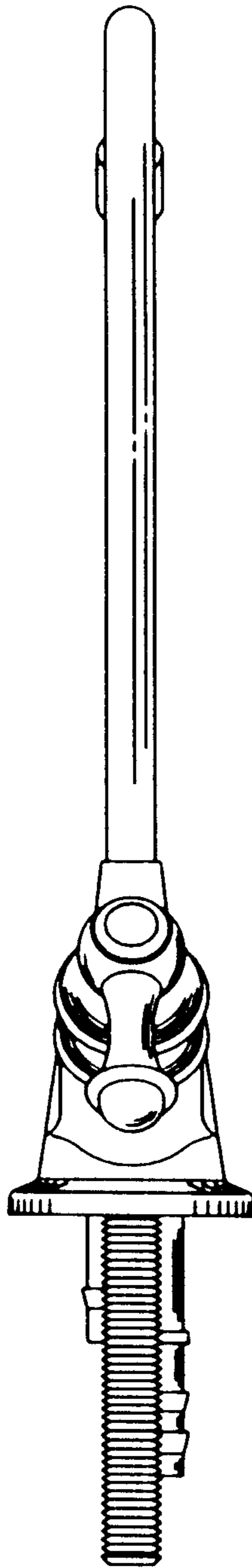


FIG. 1



F I G. 2



F I G. 3

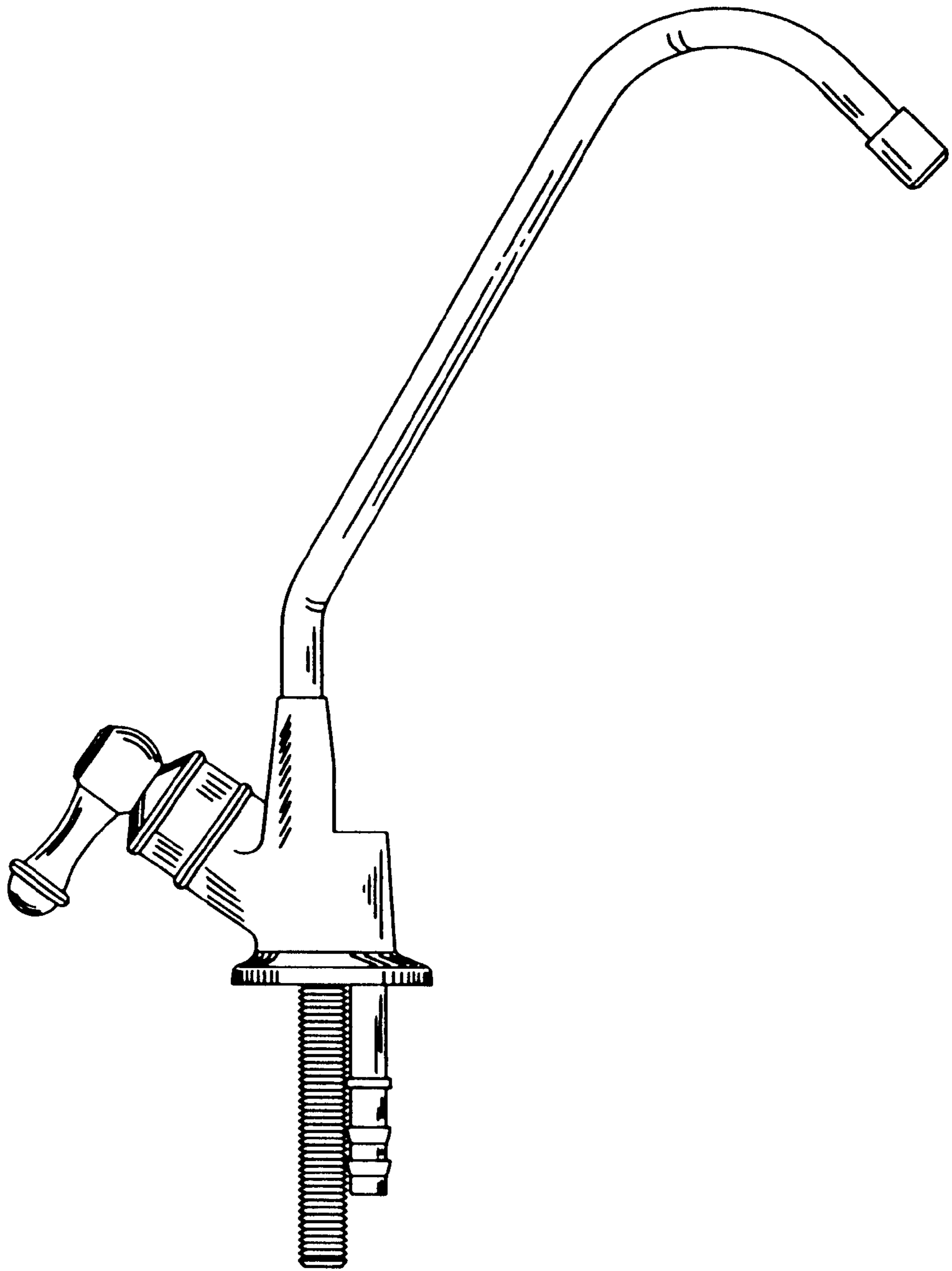


FIG. 4

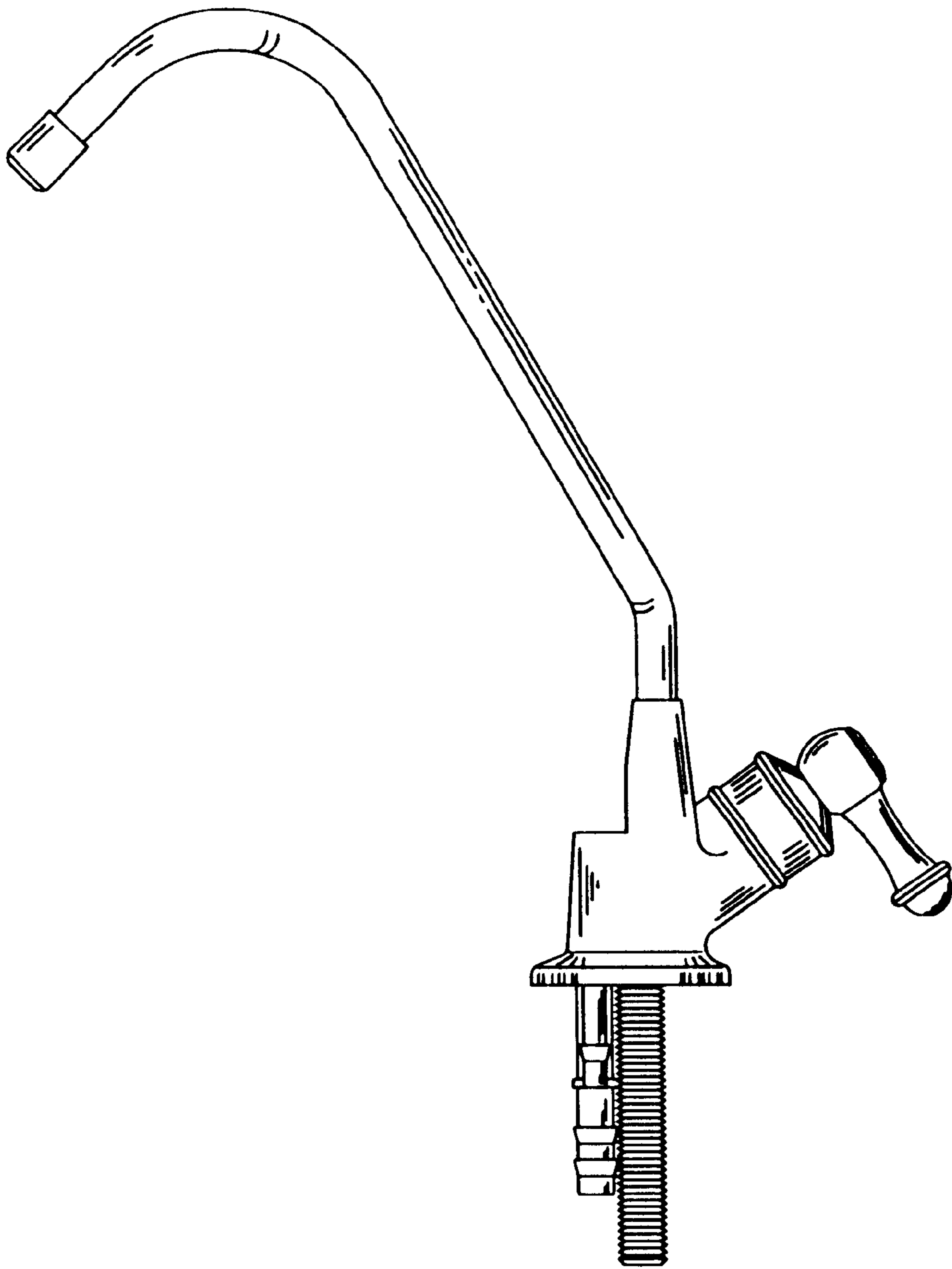
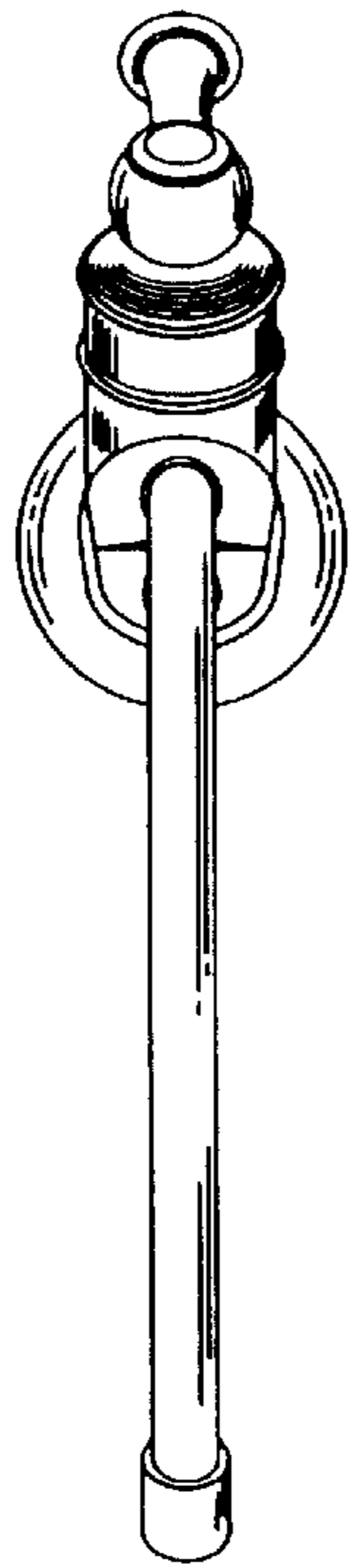
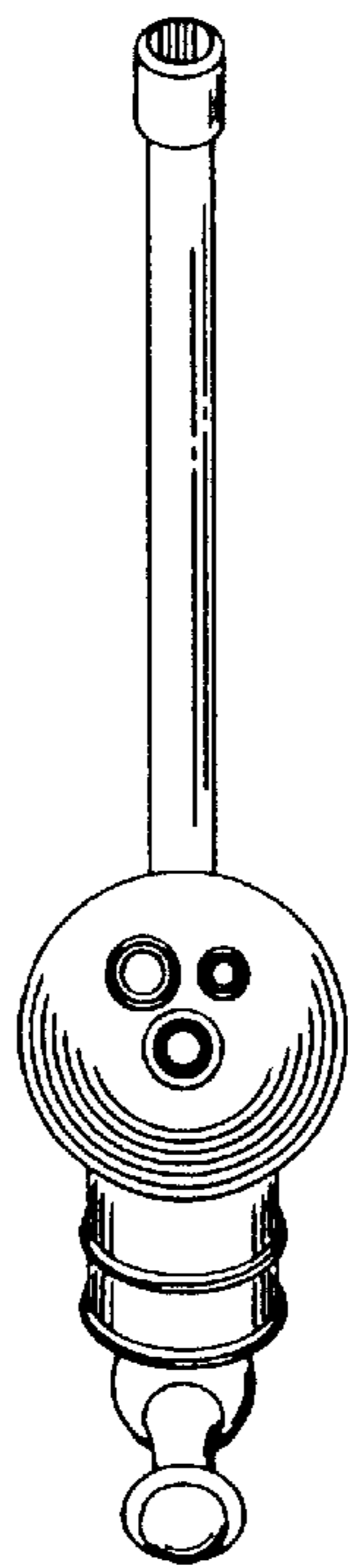


FIG. 5



F I G. 6



F I G. 7