



US00D478650S

(12) **United States Design Patent**  
**Lai**

(10) **Patent No.:** **US D478,650 S**

(45) **Date of Patent:** **\*\* Aug. 19, 2003**

(54) **SWITCH VALVE**

(74) *Attorney, Agent, or Firm*—Harrison & Egbert

(76) **Inventor:** **Hung-Lin Lai**, No. 5-3, Chin Pan Lane,  
Kou Chien Li, Lu Kang Township,  
Chang Hua Hsien (TW)

(57) **CLAIM**

I claim the ornamental design for a switch valve, as shown and described.

(\*\*) **Term:** **14 Years**

**DESCRIPTION**

(21) **Appl. No.:** **29/169,062**

FIG. 1 is an upper perspective view of the switch valve showing my design.

(22) **Filed:** **Oct. 15, 2002**

FIG. 2 is a side view thereof;

(51) **LOC (7) Cl.** ..... **23-01**

FIG. 3 is an opposite side view thereof;

(52) **U.S. Cl.** ..... **D23/233**

FIG. 4 is a front view thereof;

(58) **Field of Search** ..... D23/233–249;  
251/14, 309–310, 315, 335.5, 315.14; 137/625.22,  
172–174, 219

FIG. 5 is a back view thereof;

(56) **References Cited**

FIG. 6 is a top view thereof;

**U.S. PATENT DOCUMENTS**

FIG. 7 is a bottom view thereof;

D77,028 S \* 11/1928 Price ..... D23/245

FIG. 8 is an upper perspective view thereof with an environmental showing of a knob;

D234,200 S \* 1/1975 Buechler ..... D23/245

FIG. 9 is an upper perspective view thereof with another environmental showing of a knob; and,

D318,903 S \* 8/1991 Lenberg ..... D23/245

FIG. 10 is an upper perspective view thereof with yet another environmental showing of a knob.

D412,561 S \* 8/1999 Voo ..... D23/245

D430,272 S \* 8/2000 Hung-Lin ..... D23/245

D438,595 S \* 3/2001 Ferrer Beltran ..... D23/233

D448,454 S \* 9/2001 Lai ..... D23/245

**OTHER PUBLICATIONS**

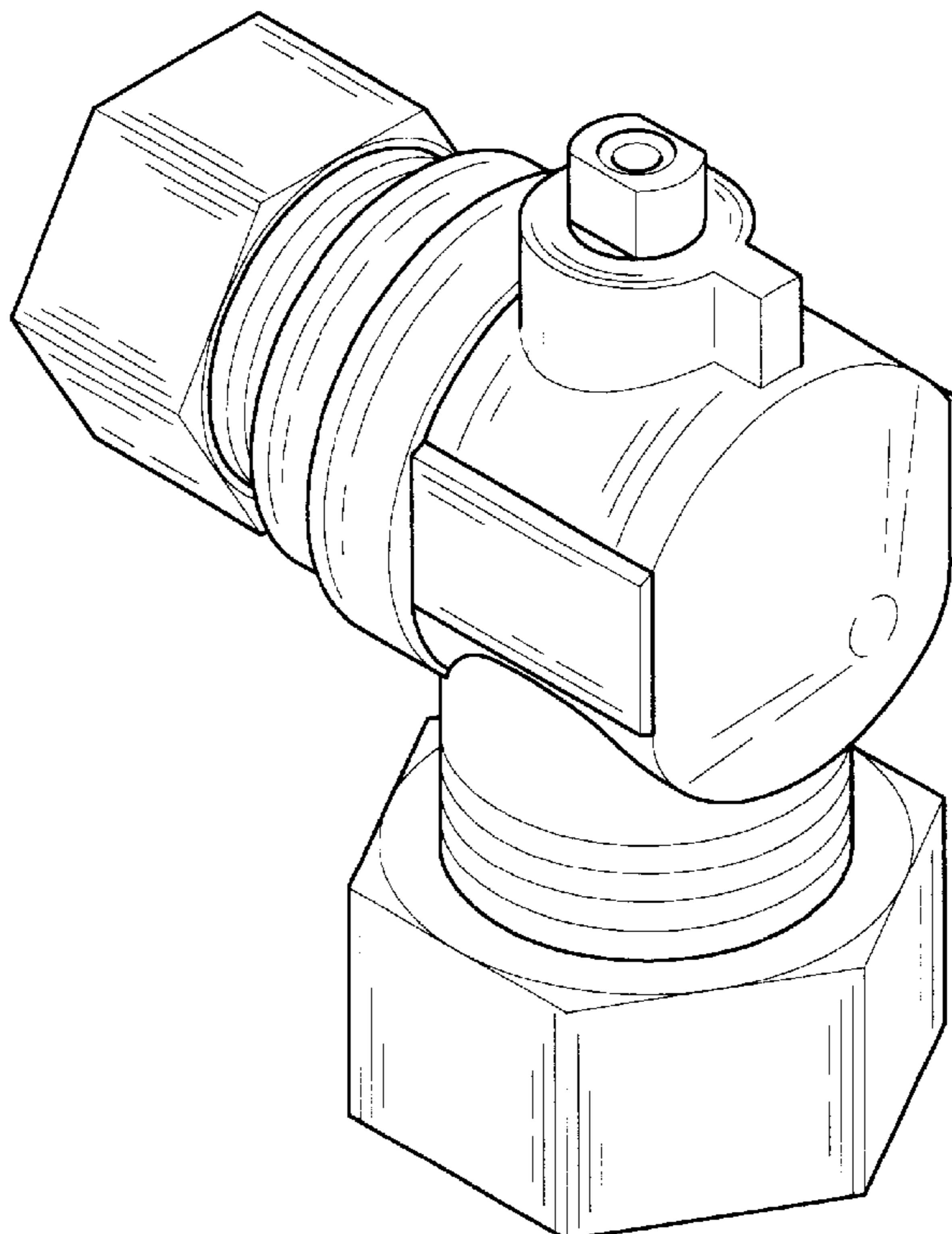
The broken line showings of knobs are for illustrative purposes only and form no part of the claimed design.

www.andersonmetals: catalog 2002—Angle Stops at top.\*

\* cited by examiner

*Primary Examiner*—Nelson C. Holtje

**1 Claim, 7 Drawing Sheets**



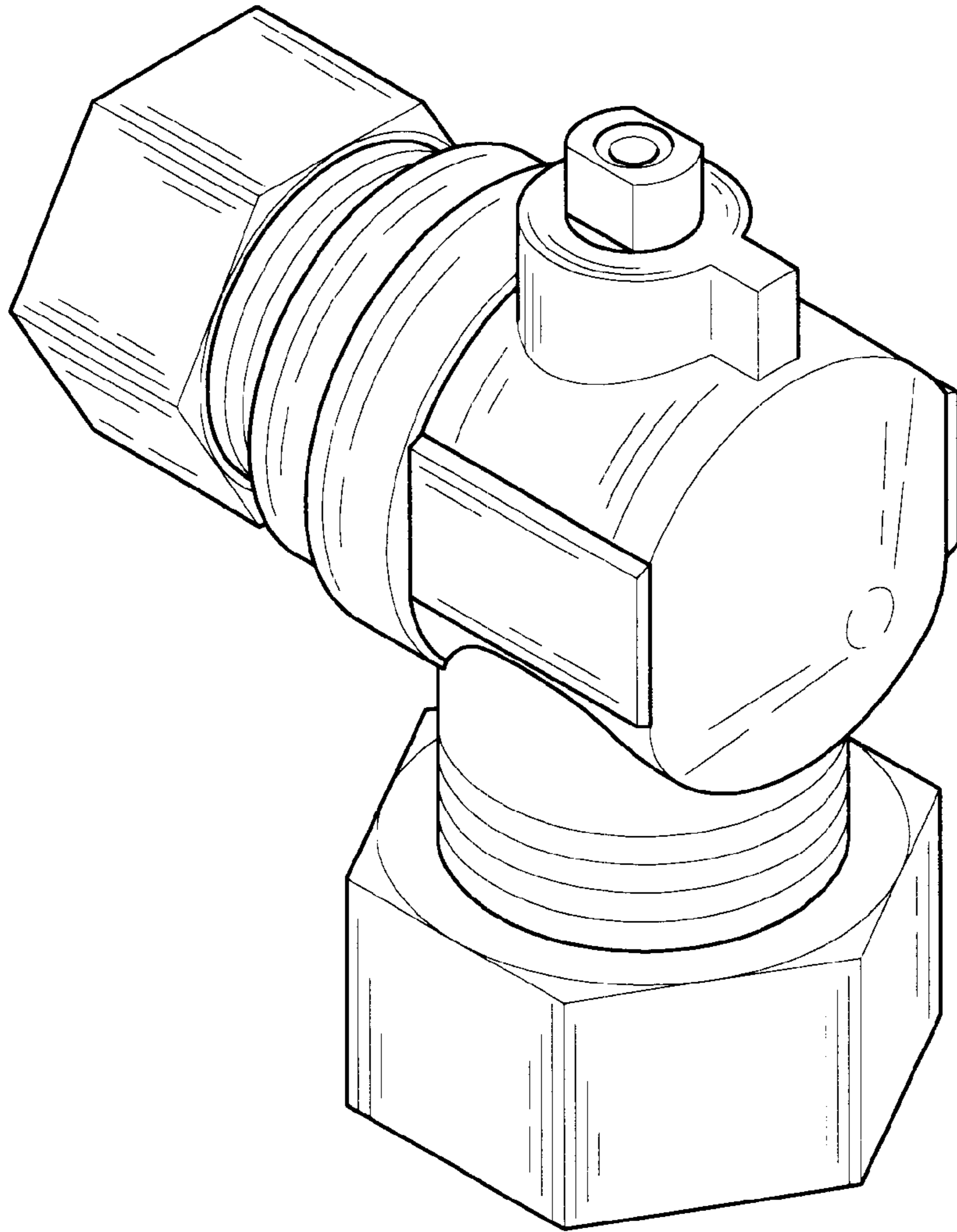


FIG.1

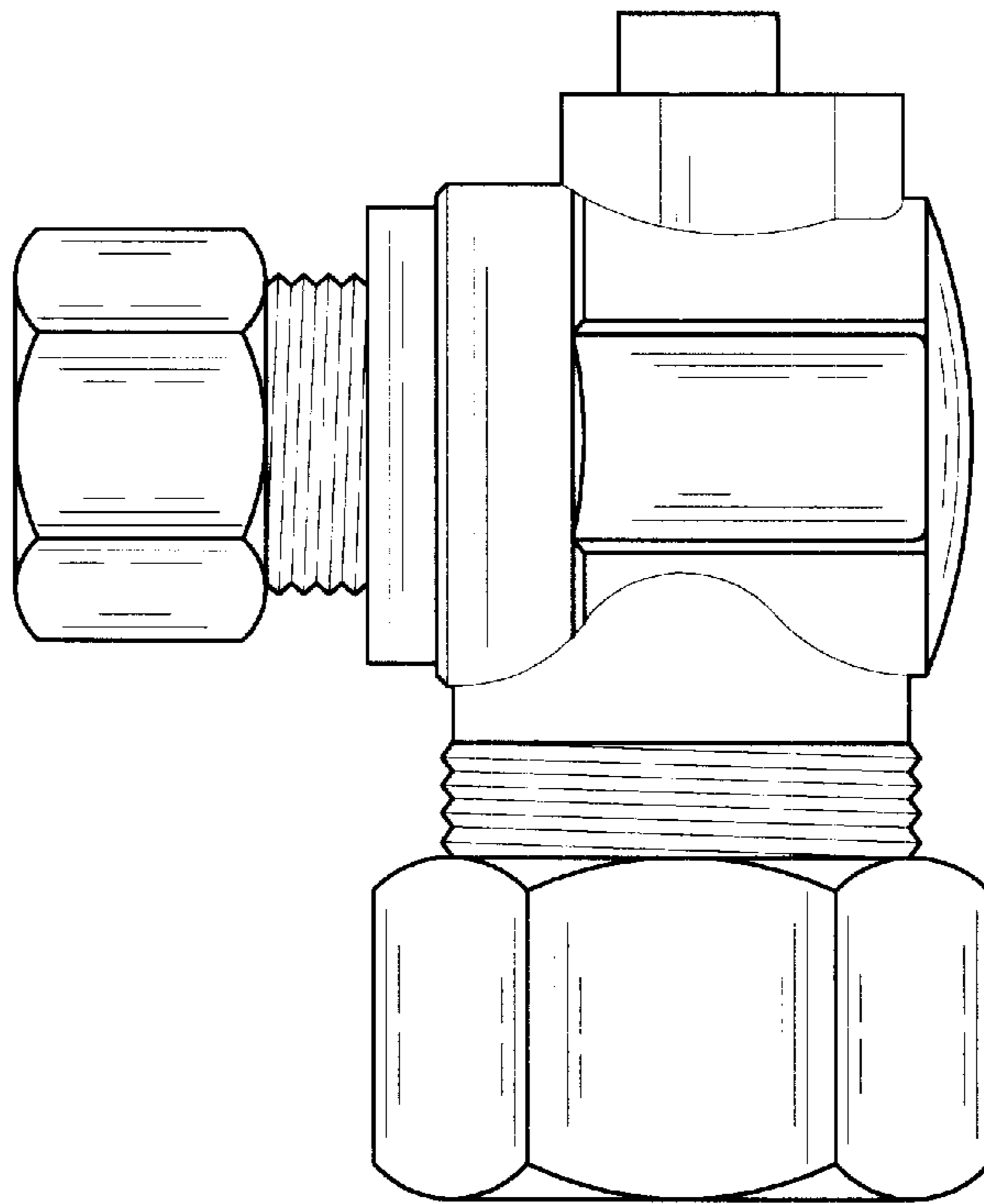


FIG. 2

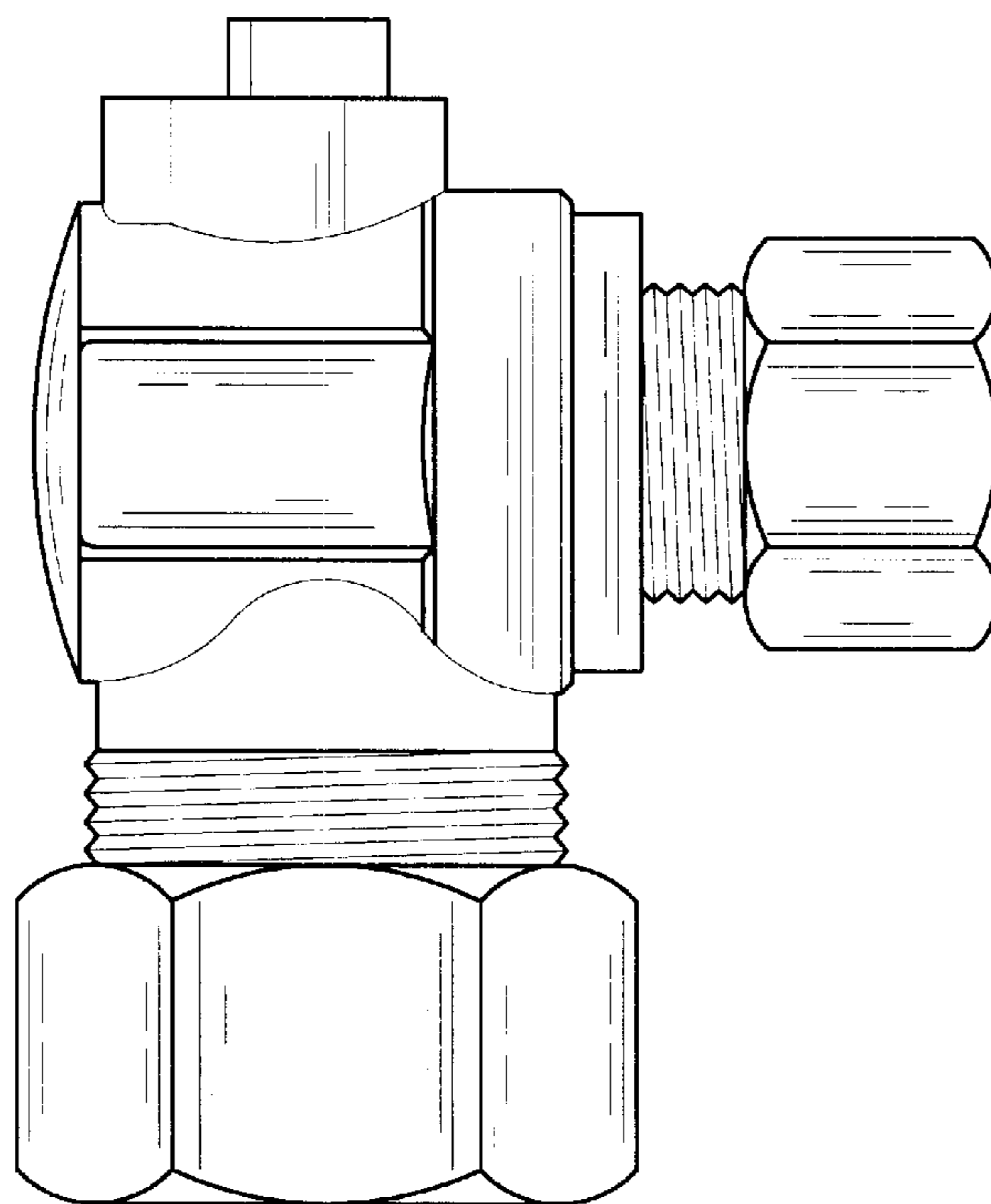


FIG. 3

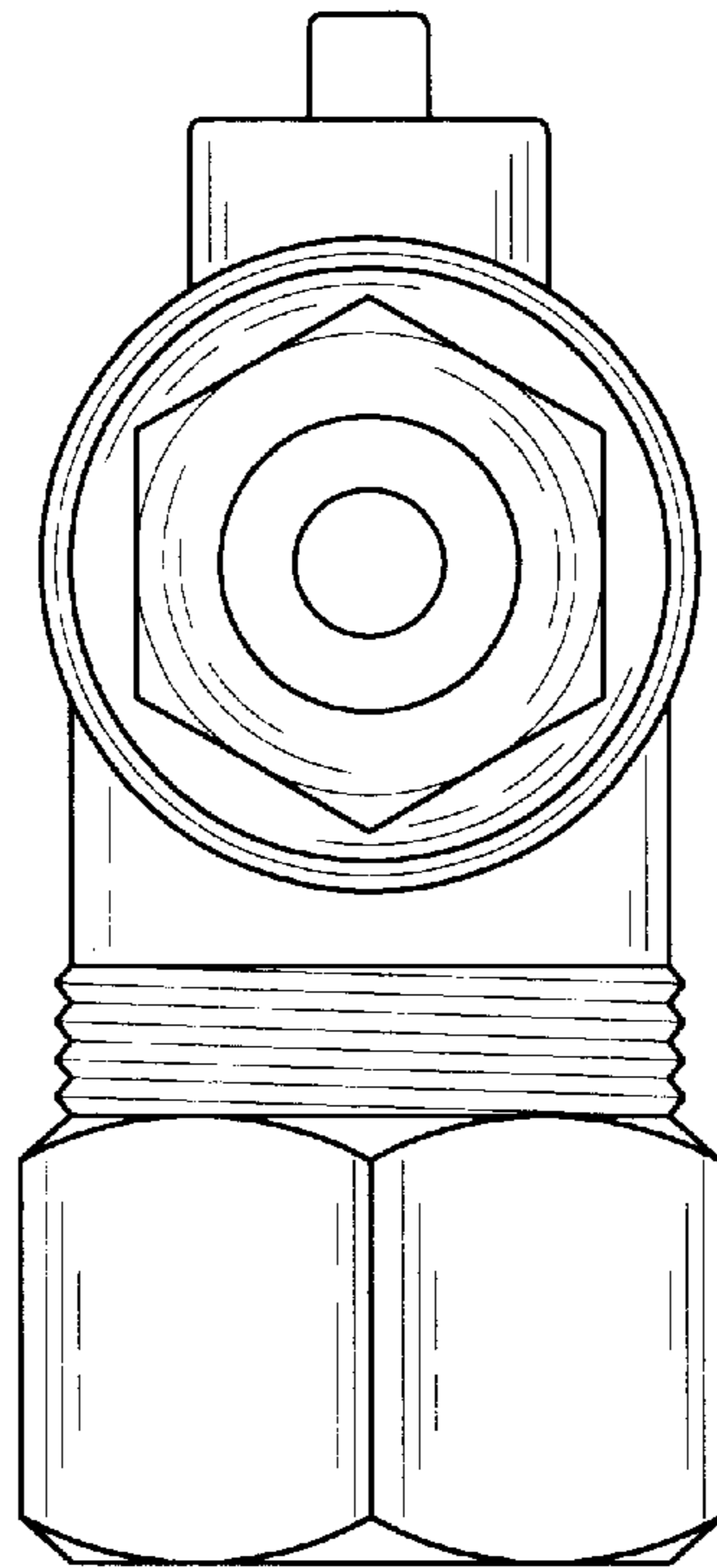


FIG.4

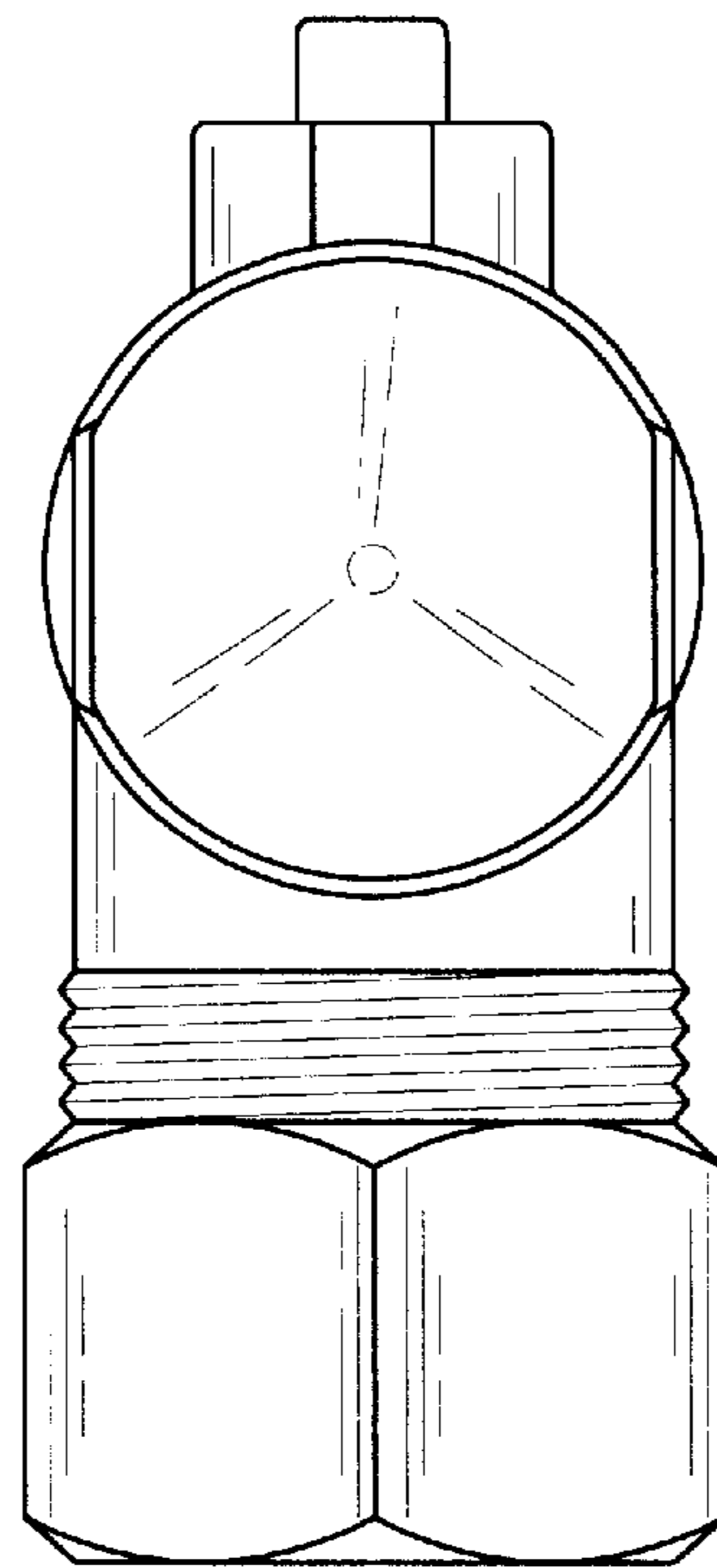


FIG.5

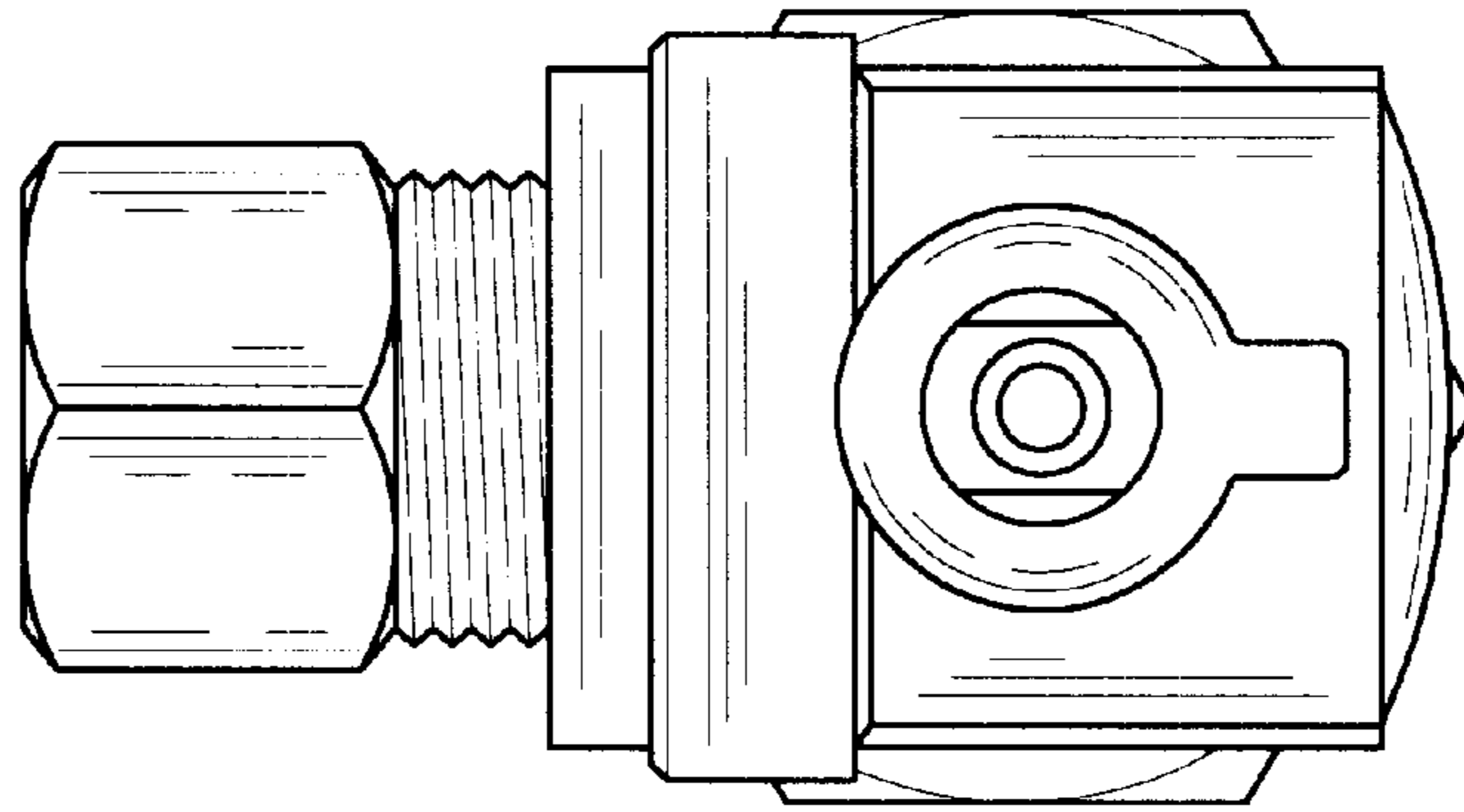


FIG. 6

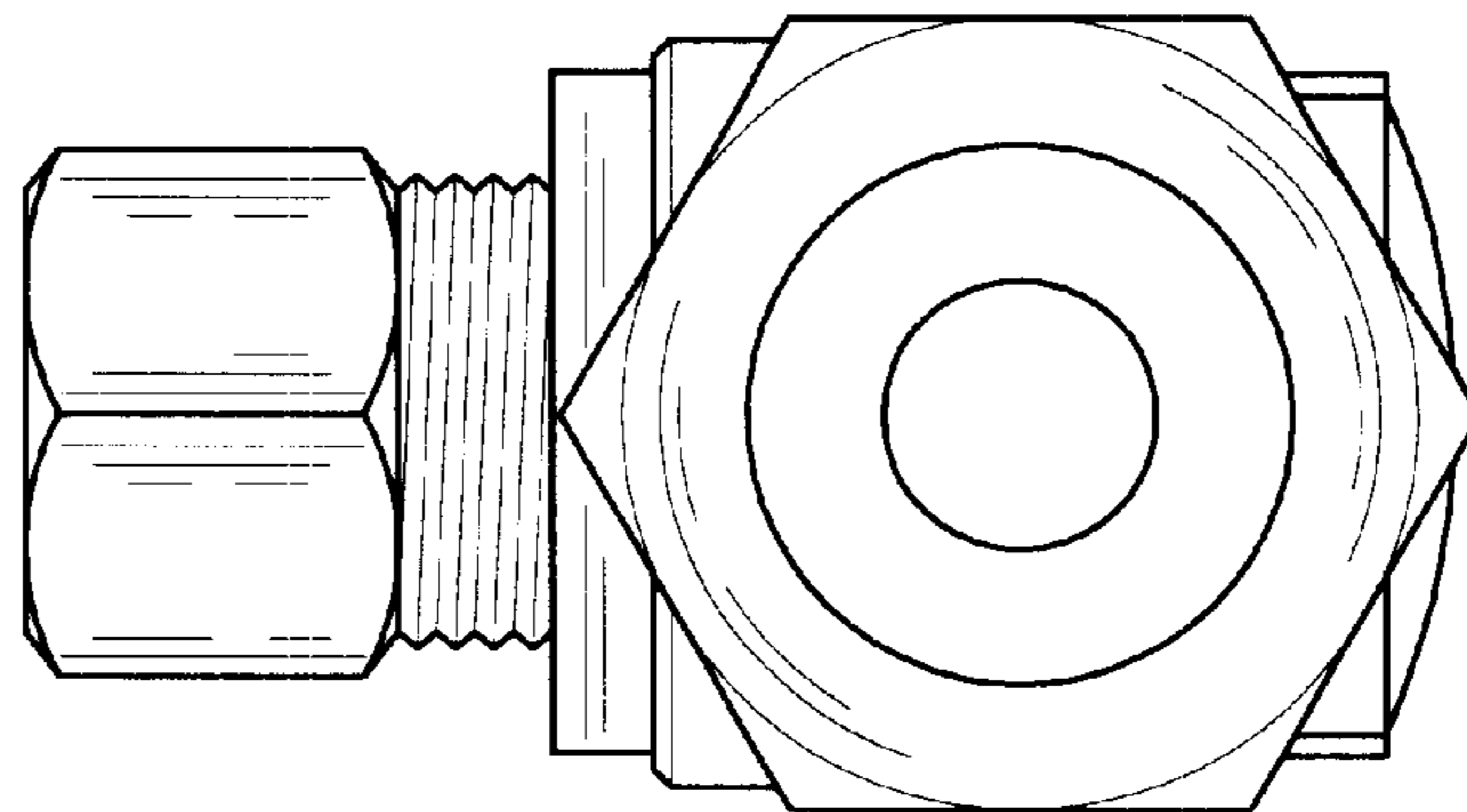


FIG. 7

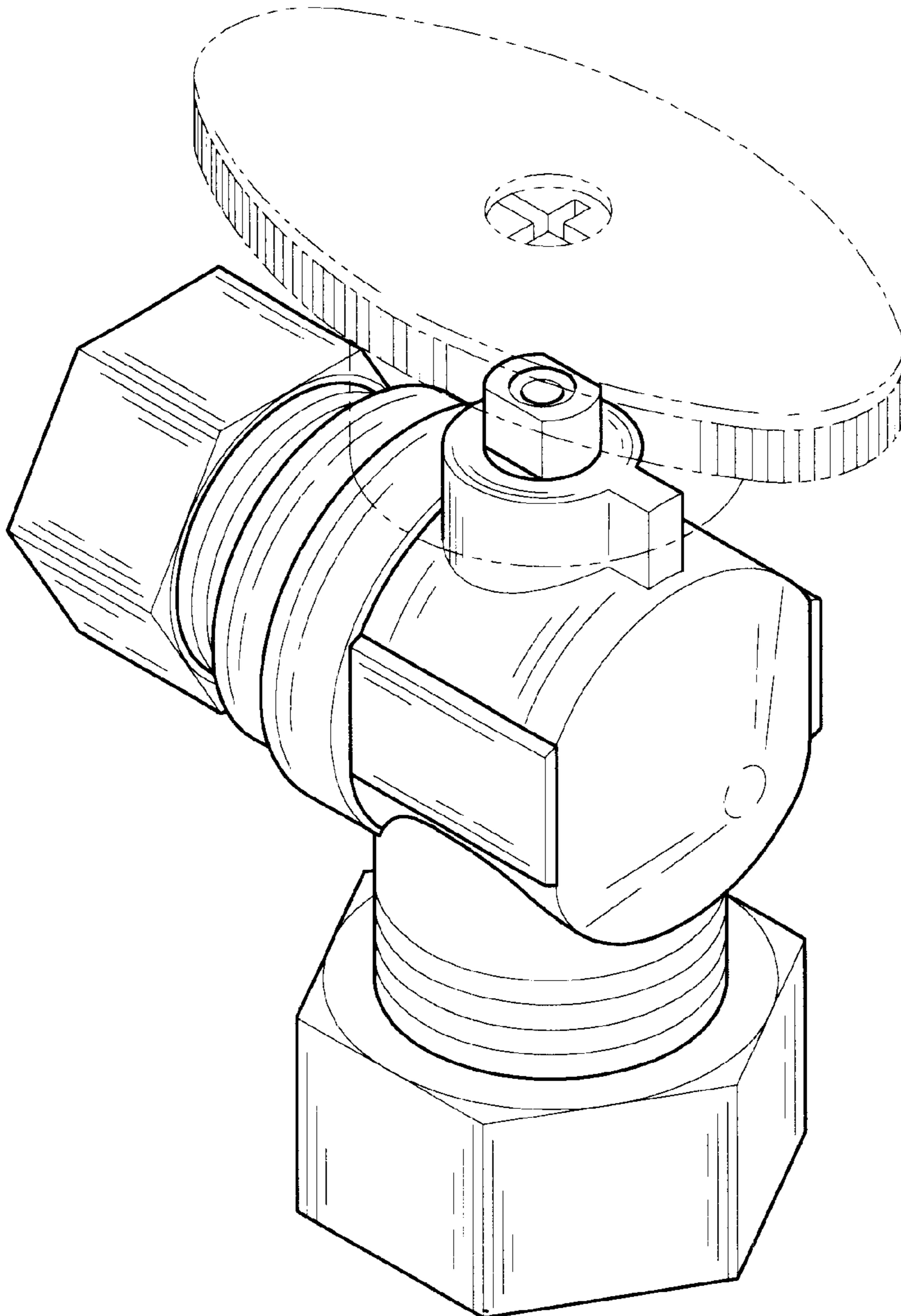


FIG.8

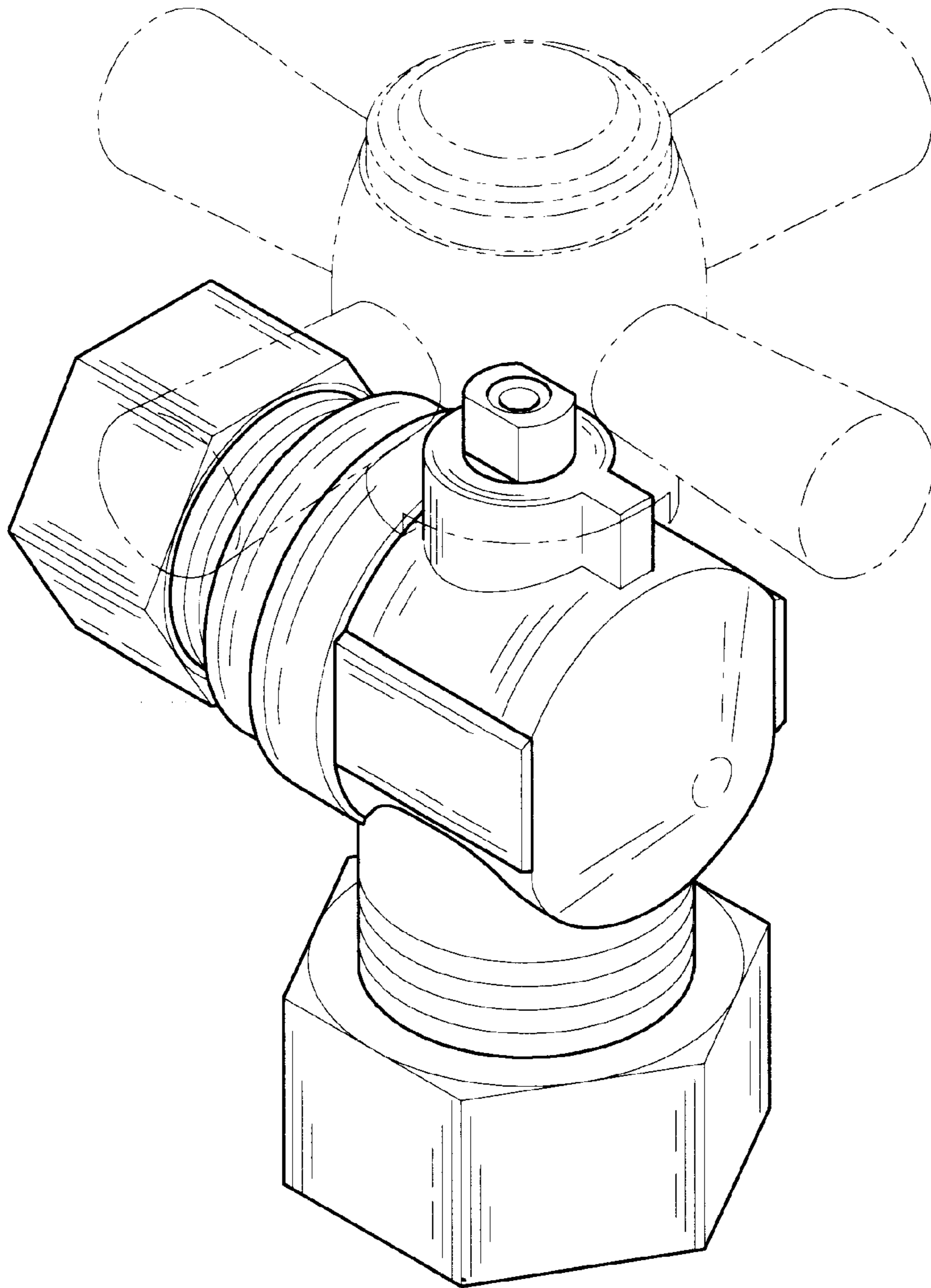


FIG. 9

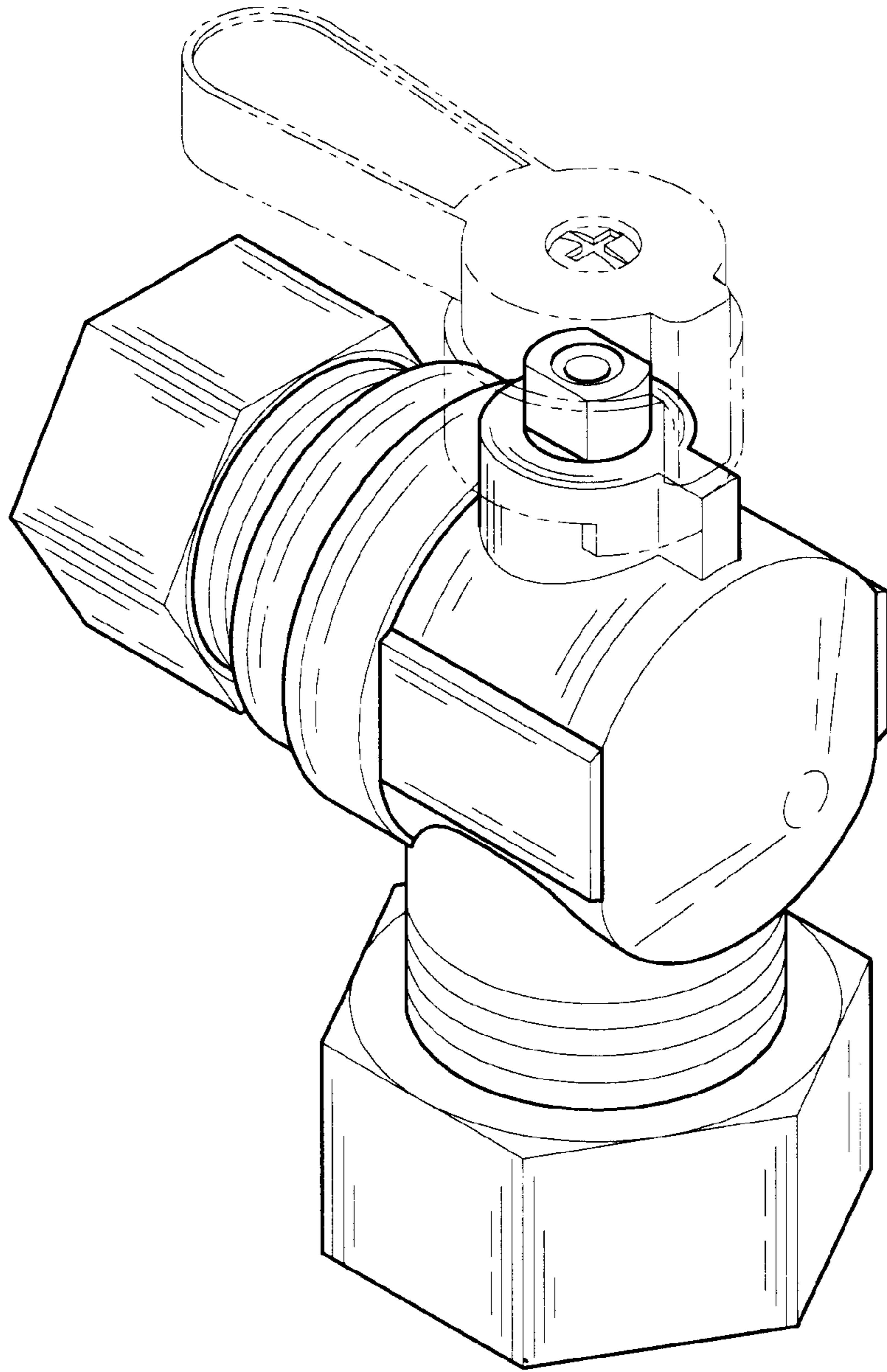


FIG. 10