



US00D478649S

(12) **United States Design Patent**
Steudeman et al.

(10) **Patent No.:** **US D478,649 S**

(45) **Date of Patent:** **** Aug. 19, 2003**

(54) **FISHING ROD HOLDER**

D372,956 S * 8/1996 Mills D22/147
D461,522 S * 8/2002 James et al. D22/147

(76) Inventors: **Don D. Steudeman**, P.O. Box 357,
Clayton, OK (US) 74536; **Reba F.**
Steudeman, P.O. Box 357, Clayton, OK
(US) 74536

* cited by examiner

Primary Examiner—Catherine R. Oliver

(**) Term: **14 Years**

(57) **CLAIM**

(21) Appl. No.: **29/169,752**

The ornamental design for a fishing rod holder, as shown and described.

(22) Filed: **Oct. 28, 2002**

DESCRIPTION

(51) **LOC (7) Cl.** **22-05**

FIG. 1 is a right side elevated view of a fishing rod holder showing my new design.

(52) **U.S. Cl.** **D22/147**

FIG. 2 is a left side elevated view of the fishing rod holder.

(58) **Field of Search** D22/147, 148;
43/21.2, 15, 16, 17; 248/538, 515

FIG. 3 is a front elevated view of the fishing rod holder.

FIG. 4 is a back elevated view of the fishing rod holder.

(56) **References Cited**

U.S. PATENT DOCUMENTS

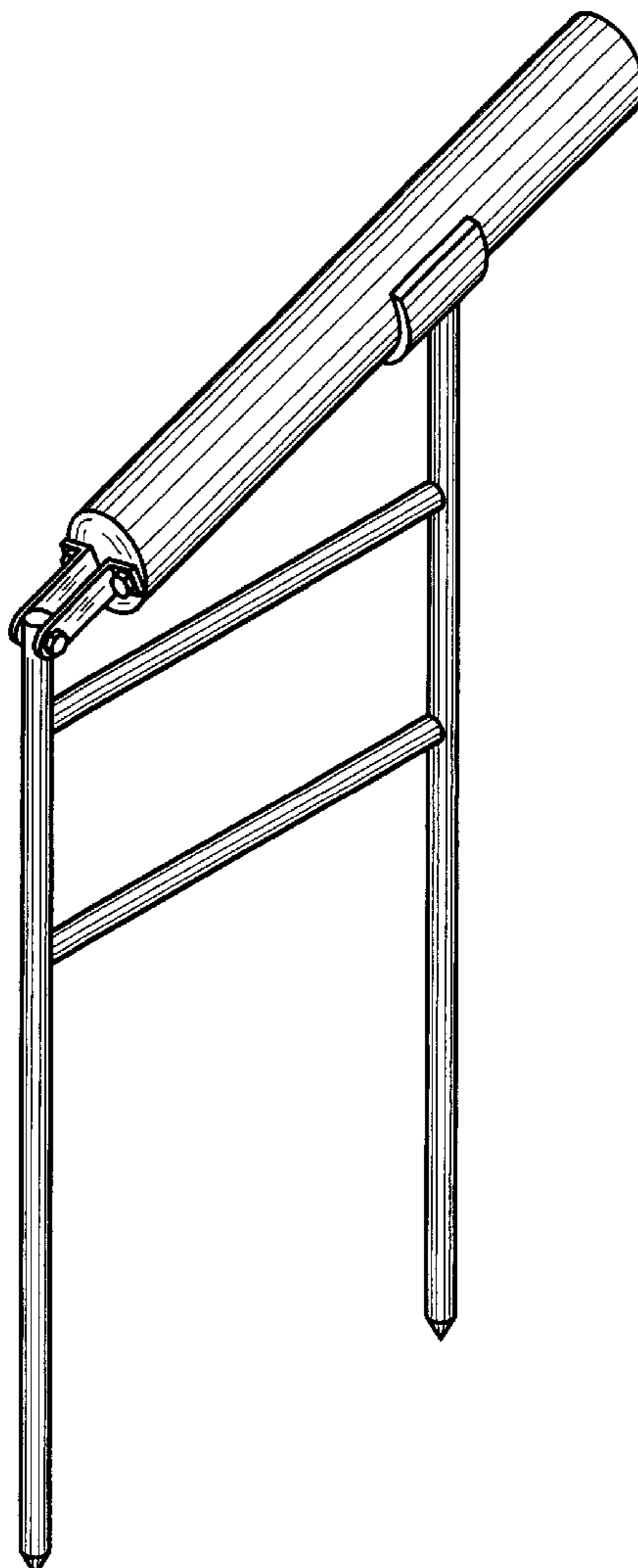
2,713,741 A * 7/1955 Gnagy 43/16
3,562,947 A * 2/1971 Martin 43/15
5,533,295 A * 7/1996 Hochberger 43/21.2

FIG. 5 is a top plan view of the fishing rod holder.

FIG. 6 is a bottom plan view of the fishing rod holder; and,

FIG. 7 is a perspective view of the fishing rod holder.

1 Claim, 4 Drawing Sheets



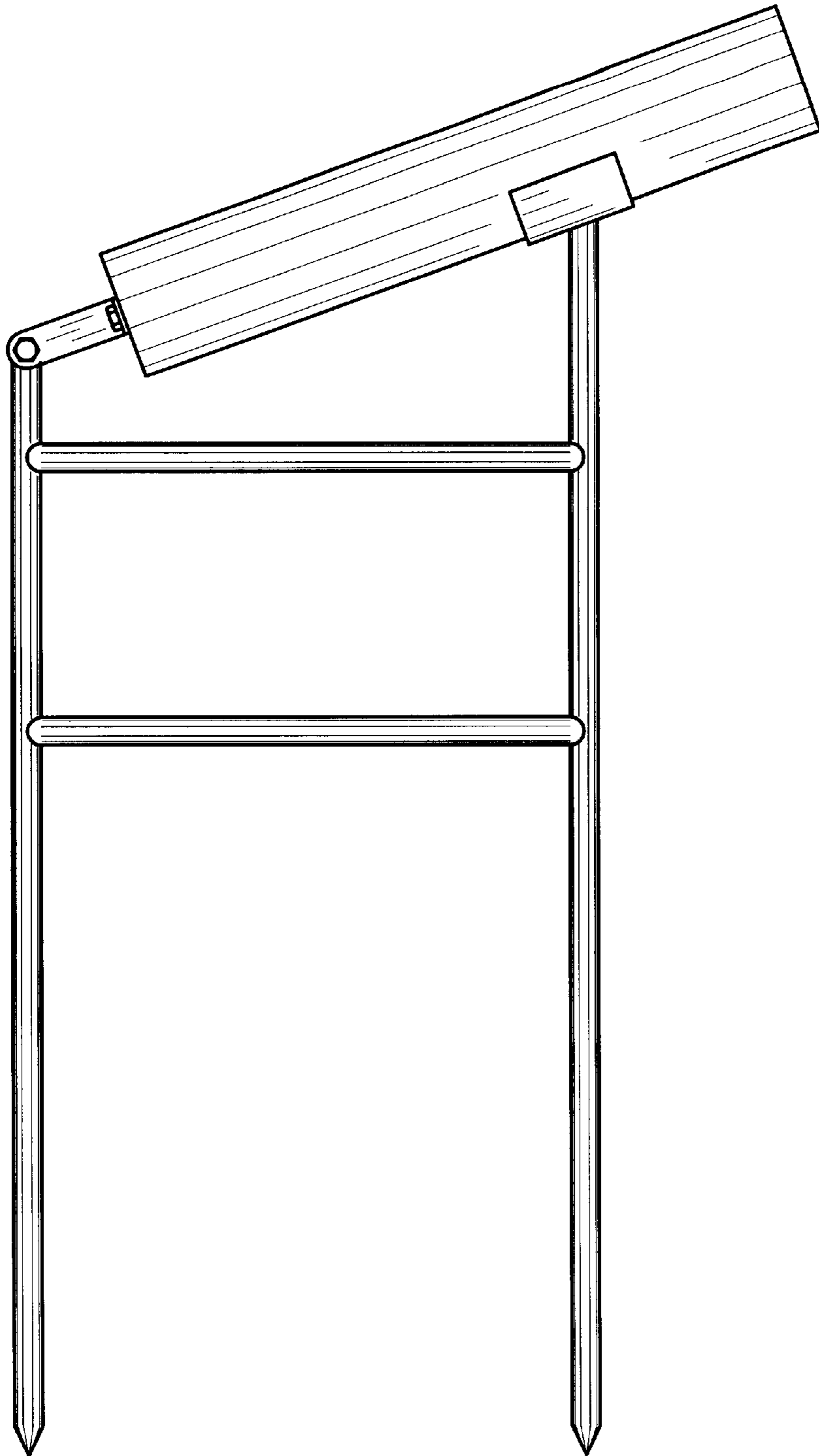


FIG. 1

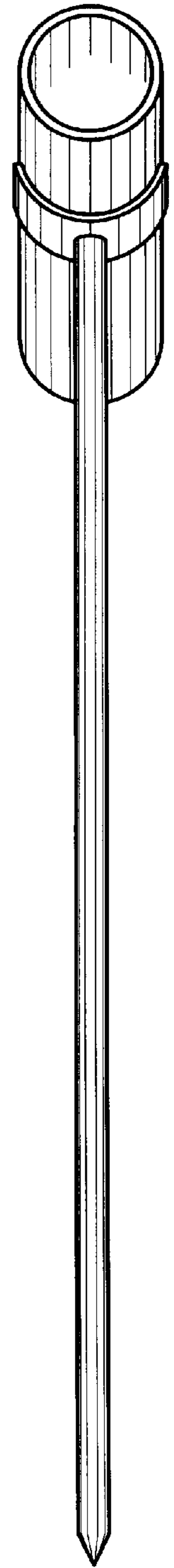


FIG. 3

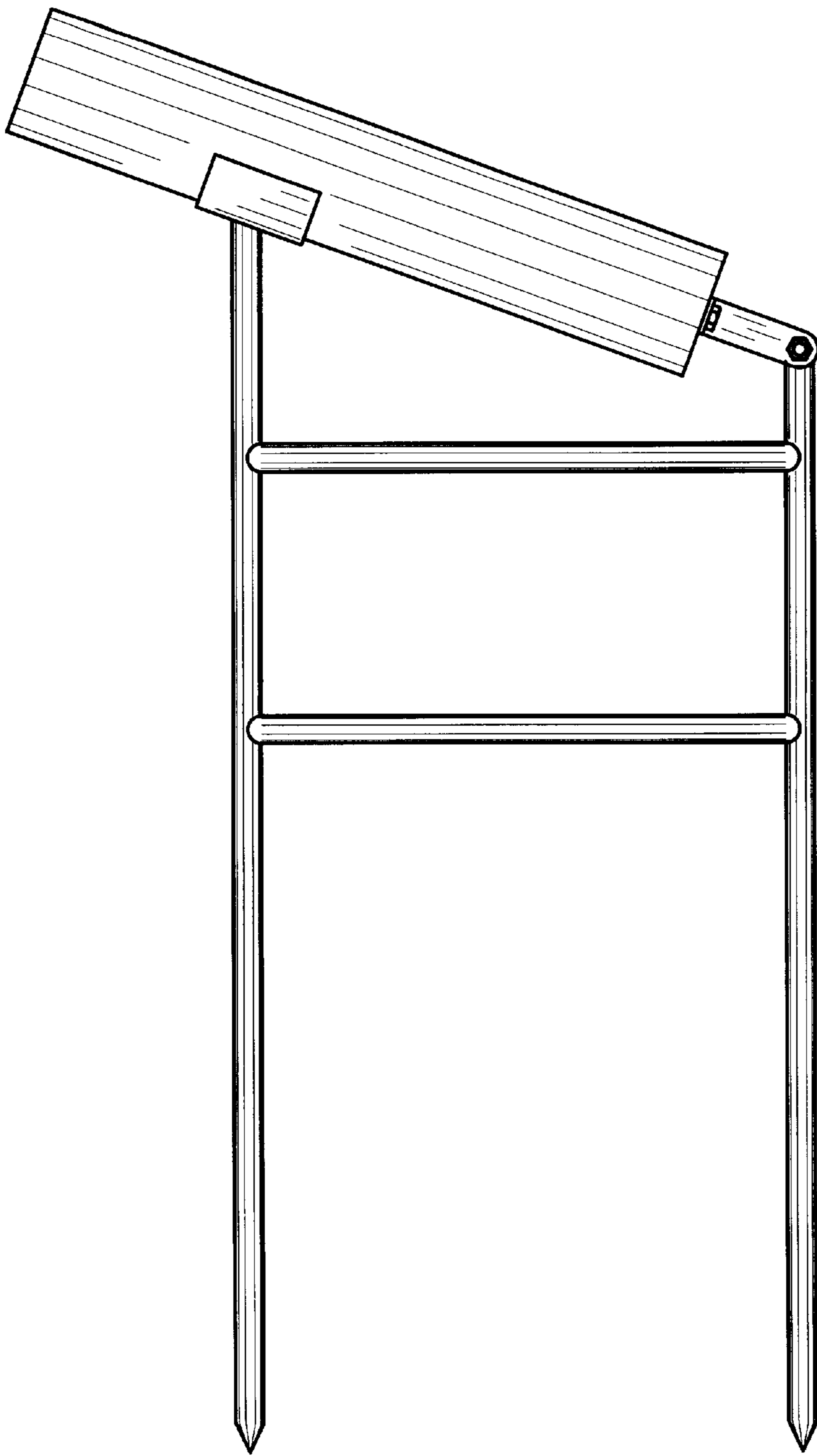


FIG. 2

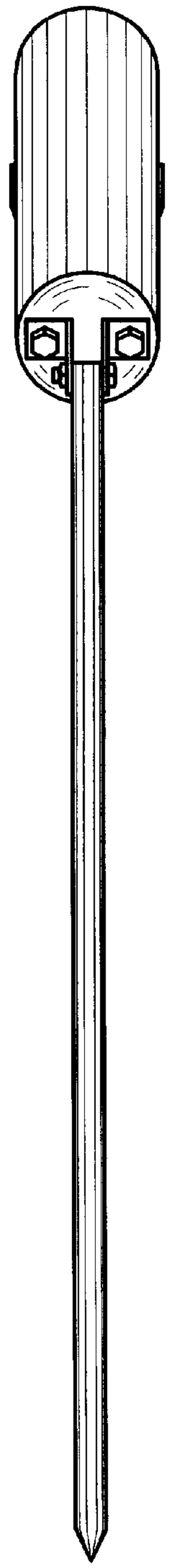


FIG. 4

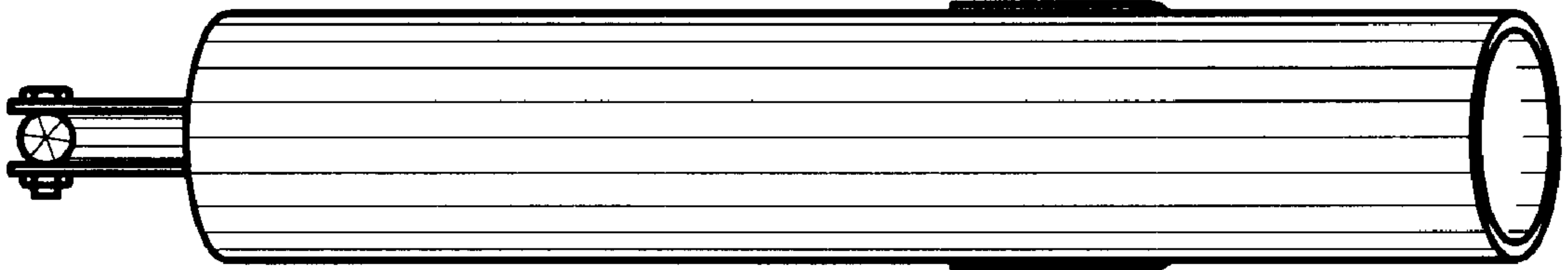


FIG. 5

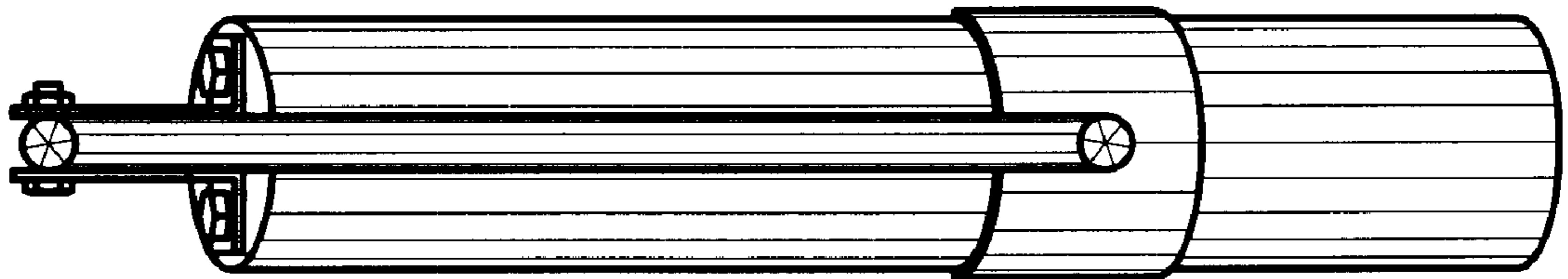


FIG. 6

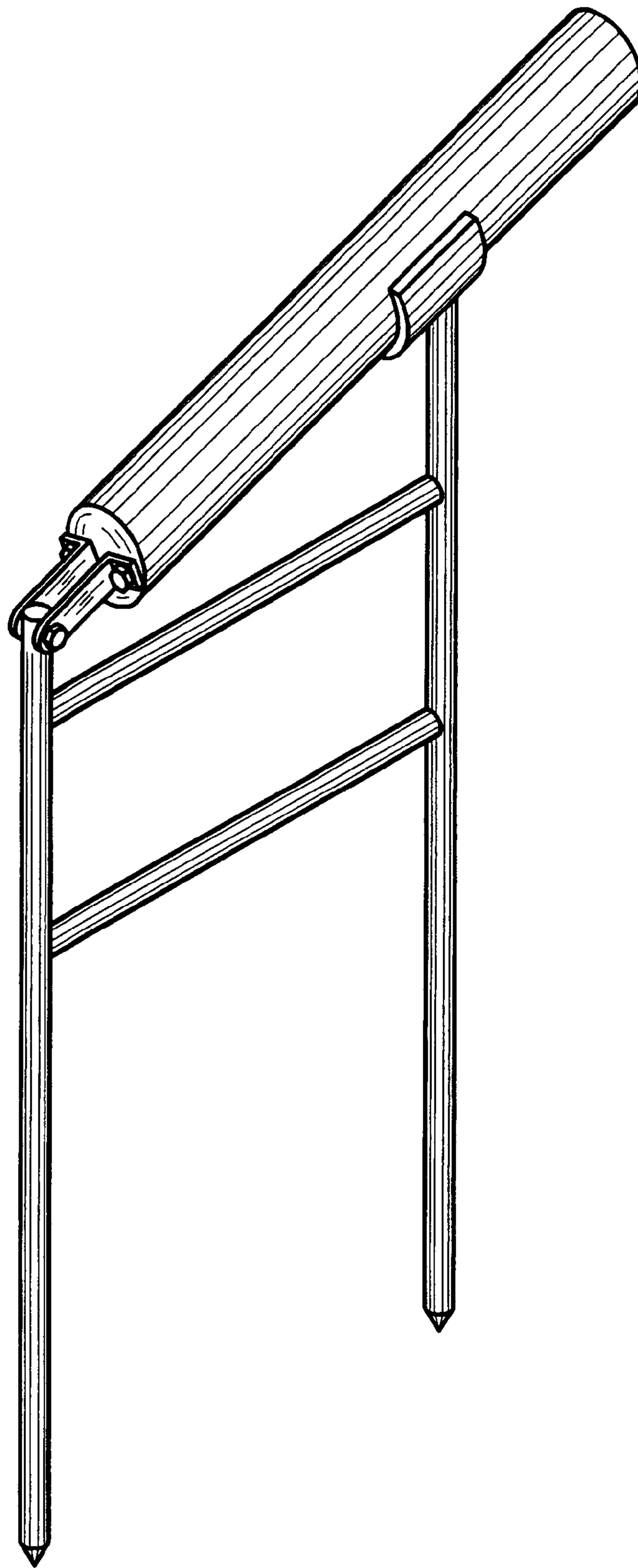


FIG. 7