



US00D478647S

(12) **United States Design Patent**
McNaughton

(10) **Patent No.:** **US D478,647 S**

(45) **Date of Patent:** **** Aug. 19, 2003**

(54) **BOTTLE INSECT CATCHER**

D451,337 S * 12/2001 Sum D9/439 X
D456,058 S * 4/2002 Rollins D22/122

(75) Inventor: **Patrick J. McNaughton**, 2550
Medicine Ridge Rd., Minneapolis, MN
(US) 55441

* cited by examiner

Primary Examiner—Catherine R. Oliver

(73) Assignee: **Patrick J. McNaughton**, Minneapolis,
MN (US)

(57) **CLAIM**

(**) Term: **14 Years**

The ornamental design for “bottle insect catcher”, substantially as shown and described.

(21) Appl. No.: **29/164,913**

DESCRIPTION

(22) Filed: **Aug. 2, 2002**

(51) **LOC (7) Cl.** **22-05**

(52) **U.S. Cl.** **D22/122**

(58) **Field of Search** D22/119–125;
43/1, 58, 60, 107, 121, 131, 132.1, 112,
113, 124; 215/355, 356, 357; D9/439

FIG. 1 is a top front perspective view of the bottle insect catcher showing my new design;
FIG. 2 is a top plan view thereof;
FIG. 3 is a bottom plan view thereof;
FIG. 4 is a right side elevation view thereof;
FIG. 5 is a left side elevation view thereof;
FIG. 6 is a front elevation view thereof;
FIG. 7 is a rear elevation view thereof; and,
FIG. 8 is a cross-sectional view thereof taken along line 8—8 FIG. 4.

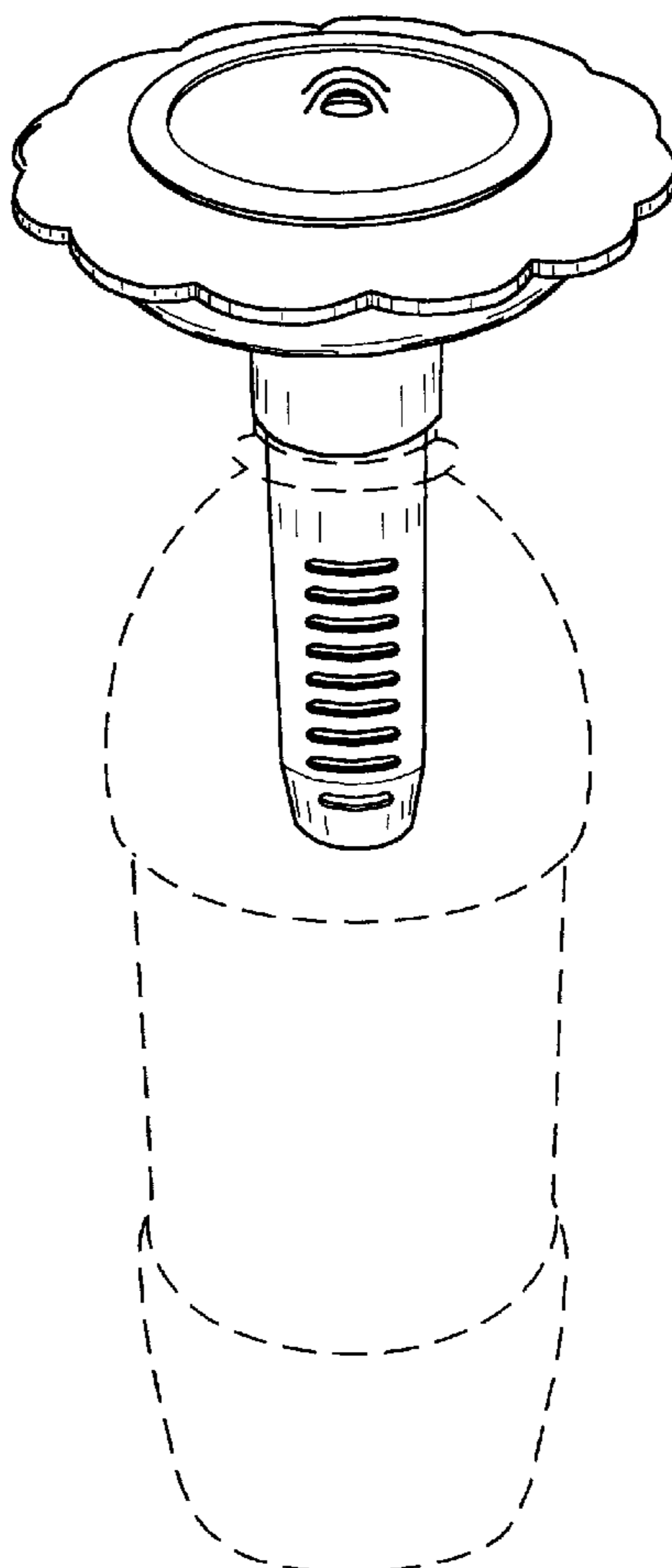
(56) **References Cited**

U.S. PATENT DOCUMENTS

5,094,025 A * 3/1992 Daniels 43/1
D367,311 S * 2/1996 Donahue et al. D22/122
6,003,266 A * 12/1999 Woodruff 43/124
6,219,960 B1 * 4/2001 Contadini et al. 43/121

The broken line showing of environment in the drawings is for illustrative purposes only and forms no part of the claimed design.

1 Claim, 3 Drawing Sheets



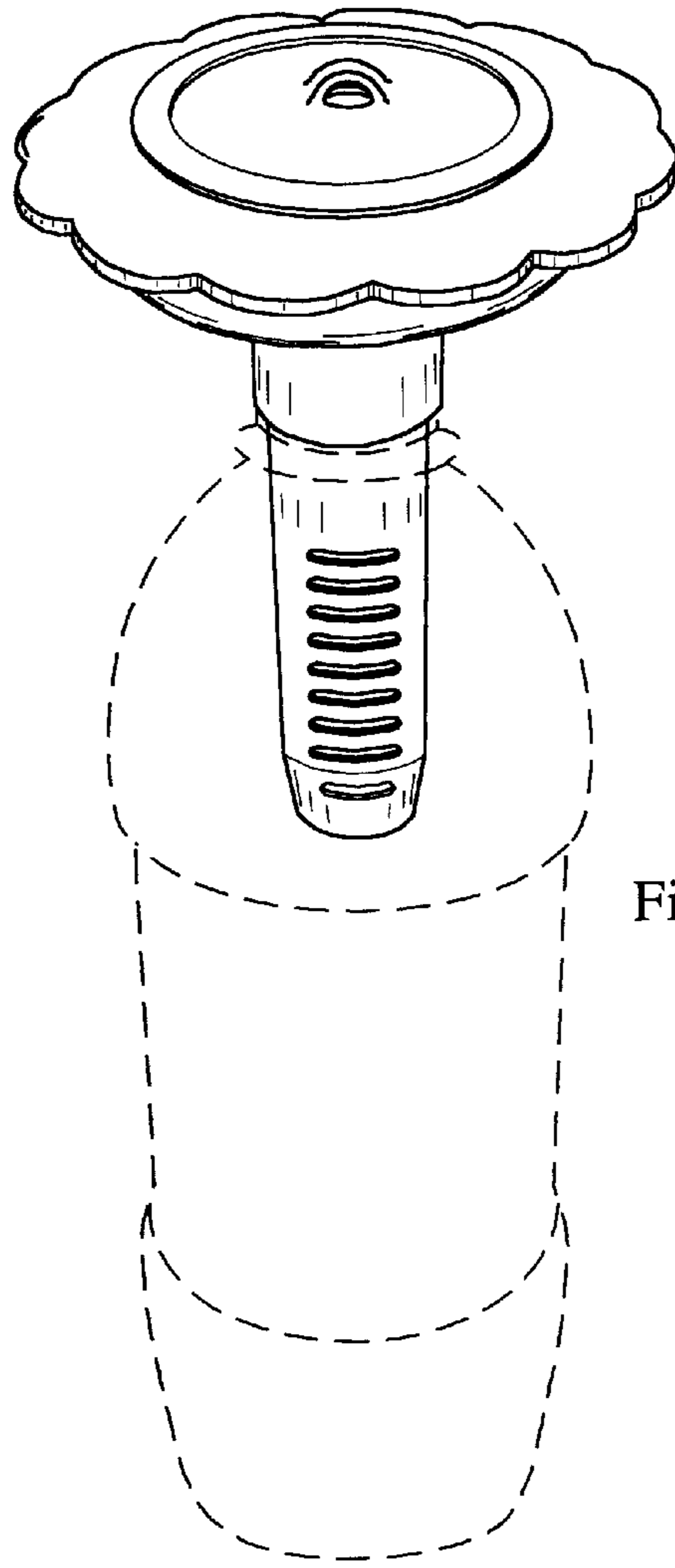


Fig. 1

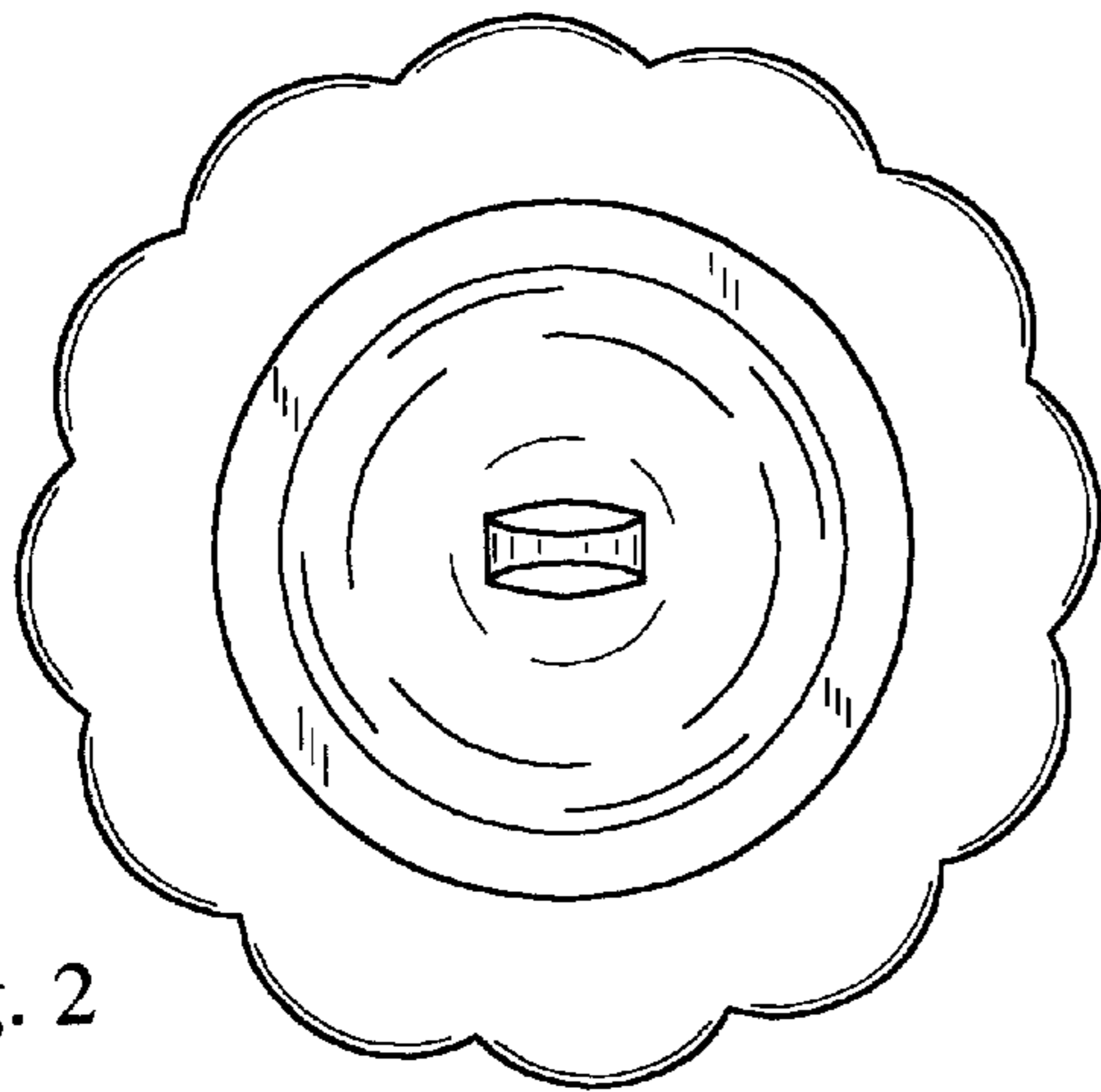


Fig. 2

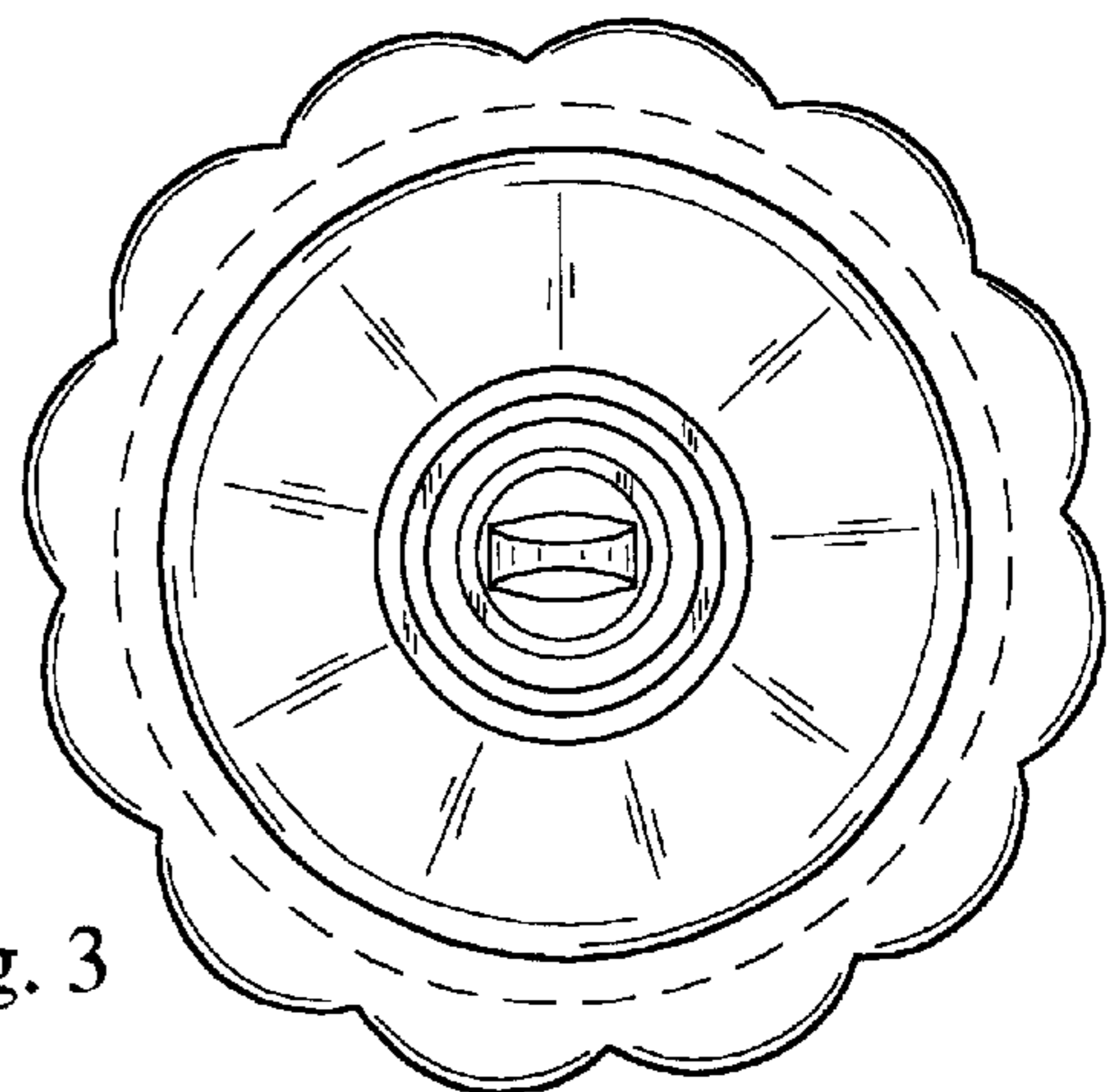


Fig. 3

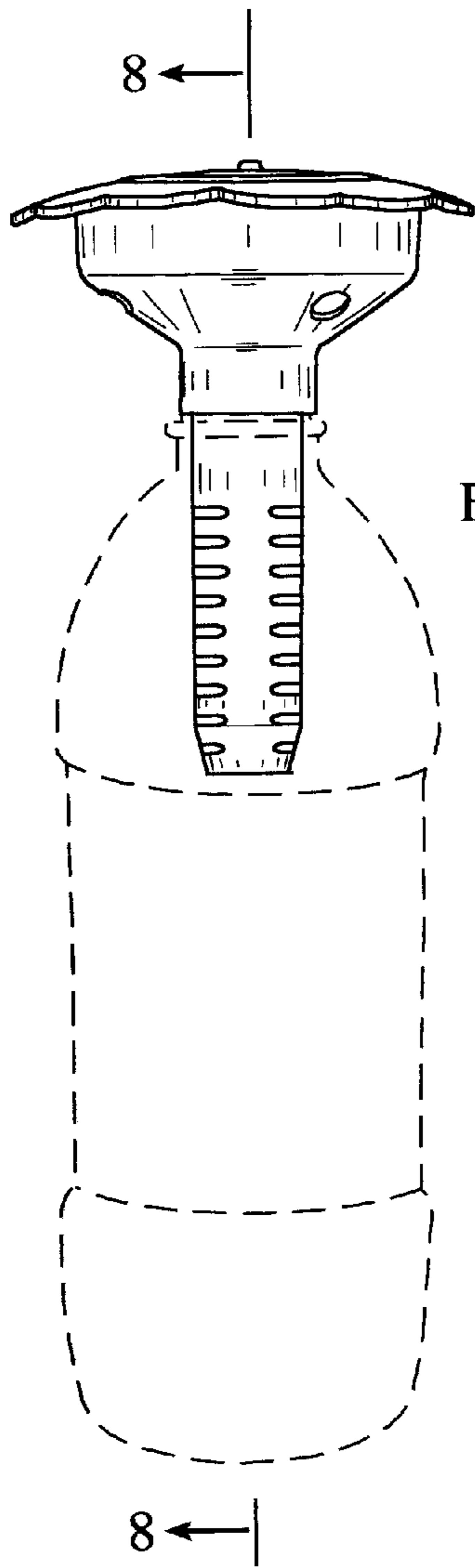


Fig. 4

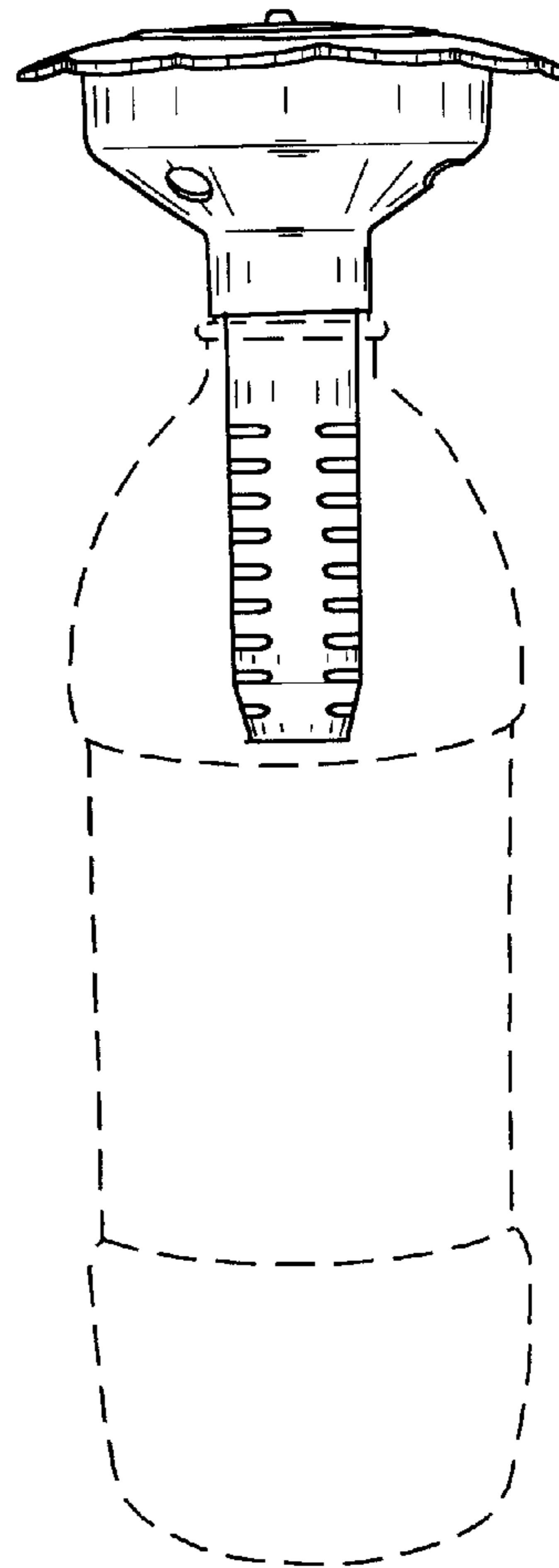


Fig. 5

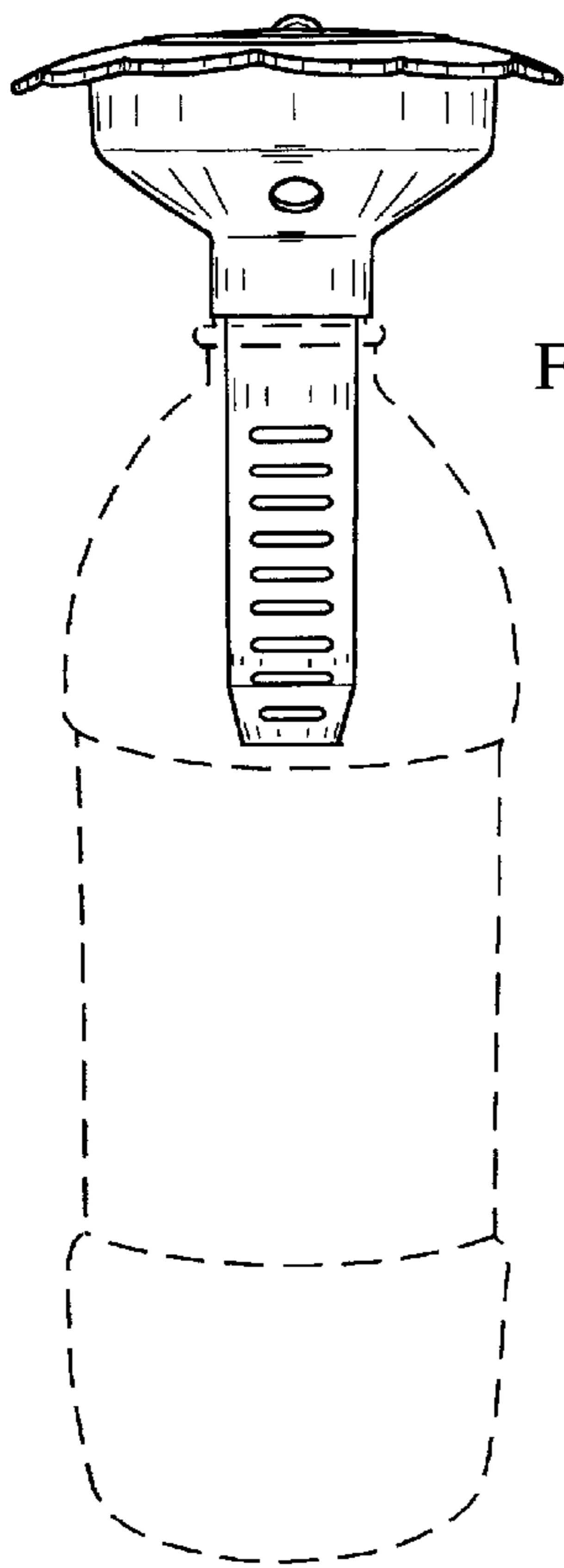


Fig. 6

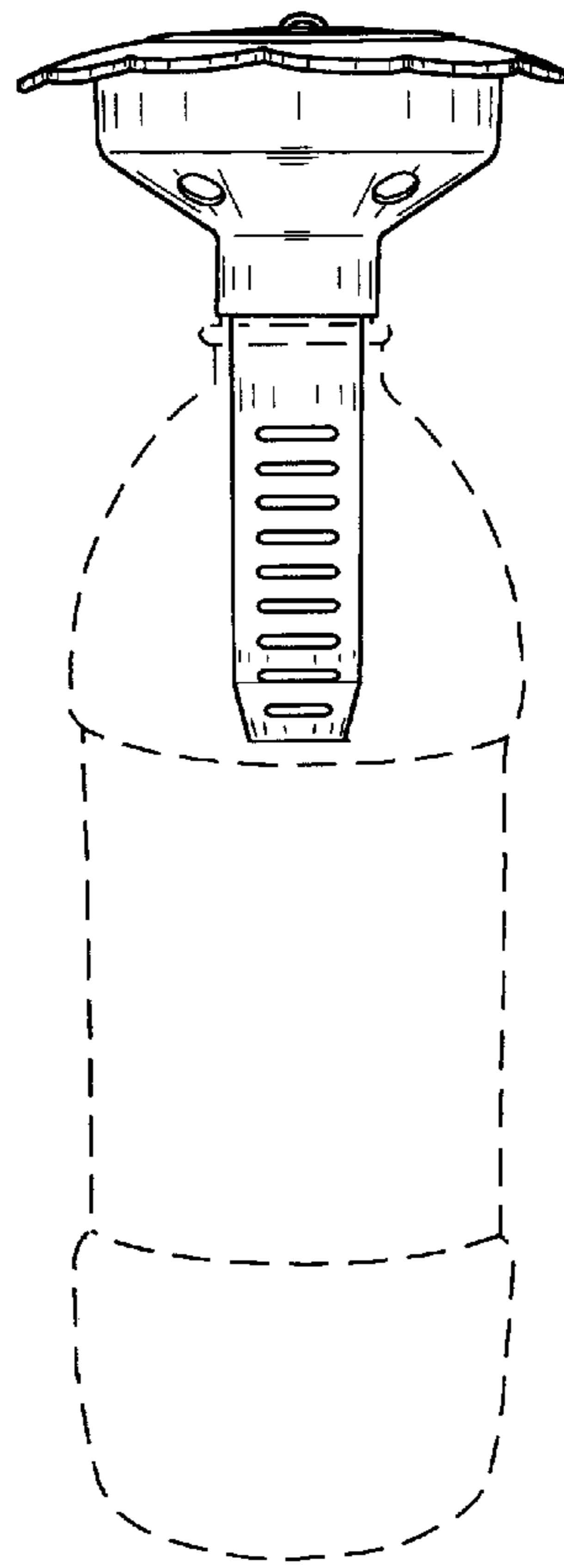


Fig. 7

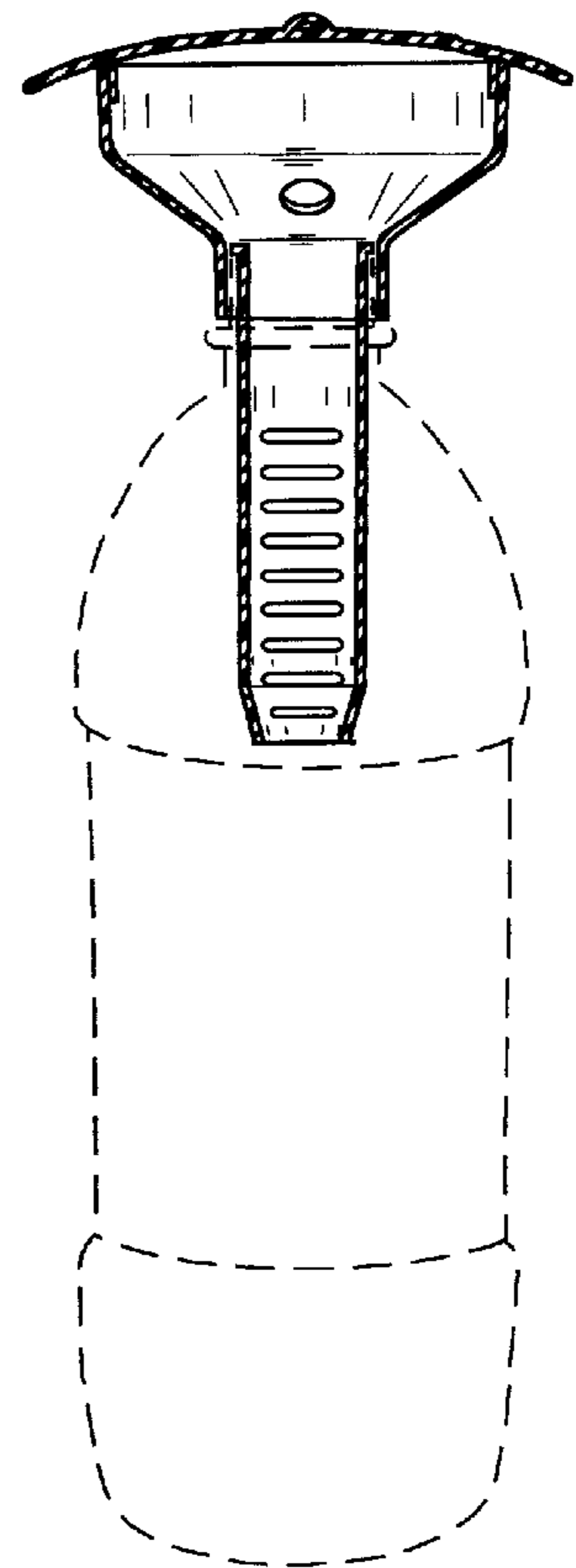


Fig. 8