



US00D478643S

(12) **United States Design Patent**
Langford et al.

(10) **Patent No.:** **US D478,643 S**

(45) **Date of Patent:** **** Aug. 19, 2003**

(54) **LOW PROFILE SKATEBOARD**

(76) Inventors: **Michael E. Langford**, 1124 N. Oakdale Ave., Fullerton, CA (US) 92831;
Timothy M. Langford, 1124 N. Oakdale Ave., Fullerton, CA (US) 92831

(**) Term: **14 Years**

(21) Appl. No.: **29/168,845**

(22) Filed: **Oct. 9, 2002**

(51) **LOC (7) Cl.** **21-02**

(52) **U.S. Cl.** **D21/765**

(58) **Field of Search** D21/419-435,
D21/533, 534, 548-551, 760, 763, 765,
771; 280/87.01, 87.021, 87.03, 87.041,
87.042; 446/396, 326, 29, 223, 325, 432,
226, 451, 465, 470

(56) **References Cited**

U.S. PATENT DOCUMENTS

D252,346 S * 7/1979 Solheim D21/765

D252,347 S * 7/1979 Solheim D21/765

D413,954 S * 9/1999 Gerlach D21/765

6,273,440 B1 * 8/2001 Wilson 280/87.042

* cited by examiner

Primary Examiner—Raphael Barkai

(57) **CLAIM**

The ornamental design for the low profile skateboard, as shown and described.

DESCRIPTION

FIG. 1 is a perspective view of the low profile skateboard; FIG. 2 is a front elevational view of the low profile skateboard;

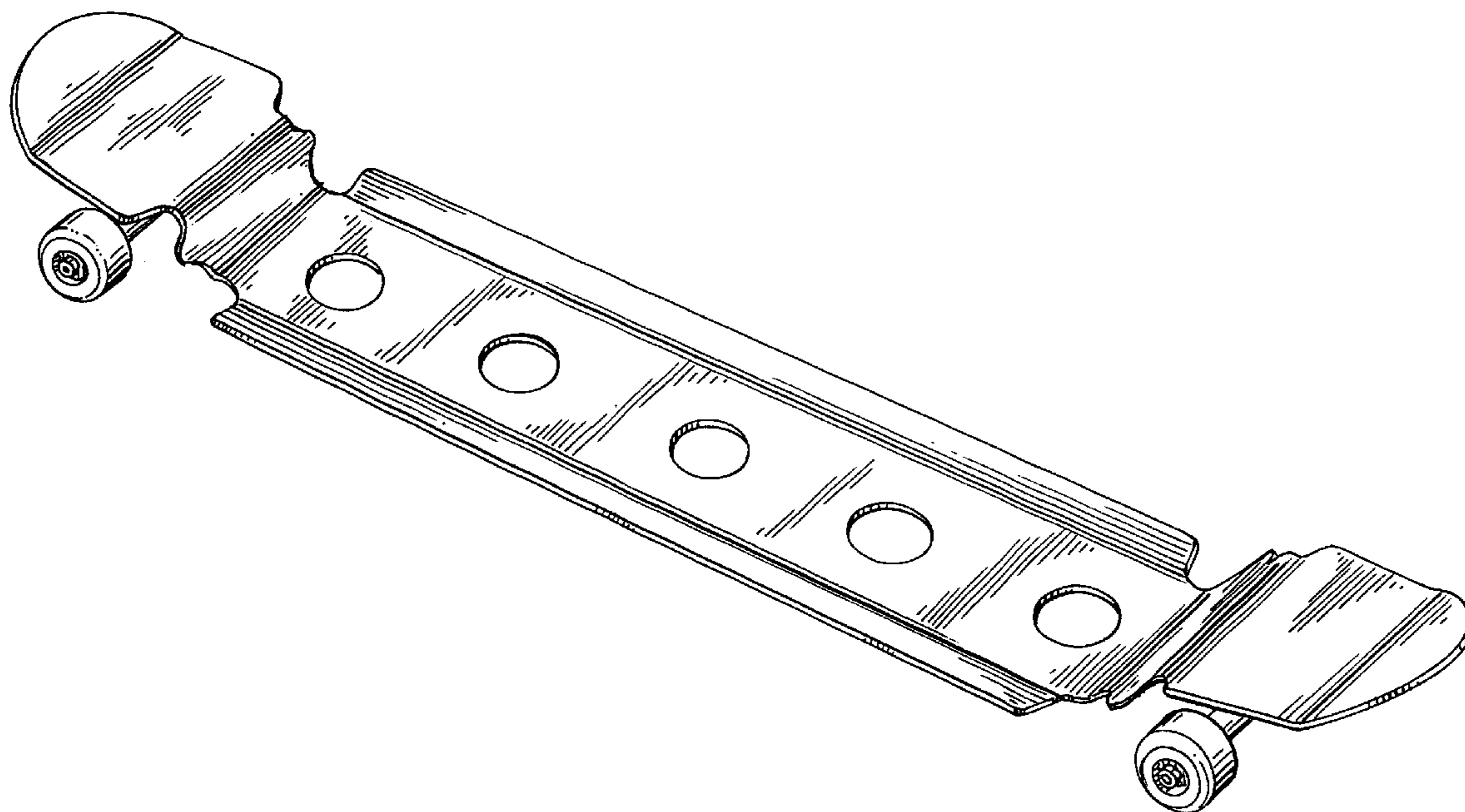
FIG. 3 is a rear elevational view of the low profile skateboard;

FIG. 4 is a top plan view of the low profile skateboard;

FIG. 5 is a side elevational view of the low profile skateboard; and,

FIG. 6 is a bottom plan view of the low profile skateboard.

1 Claim, 2 Drawing Sheets



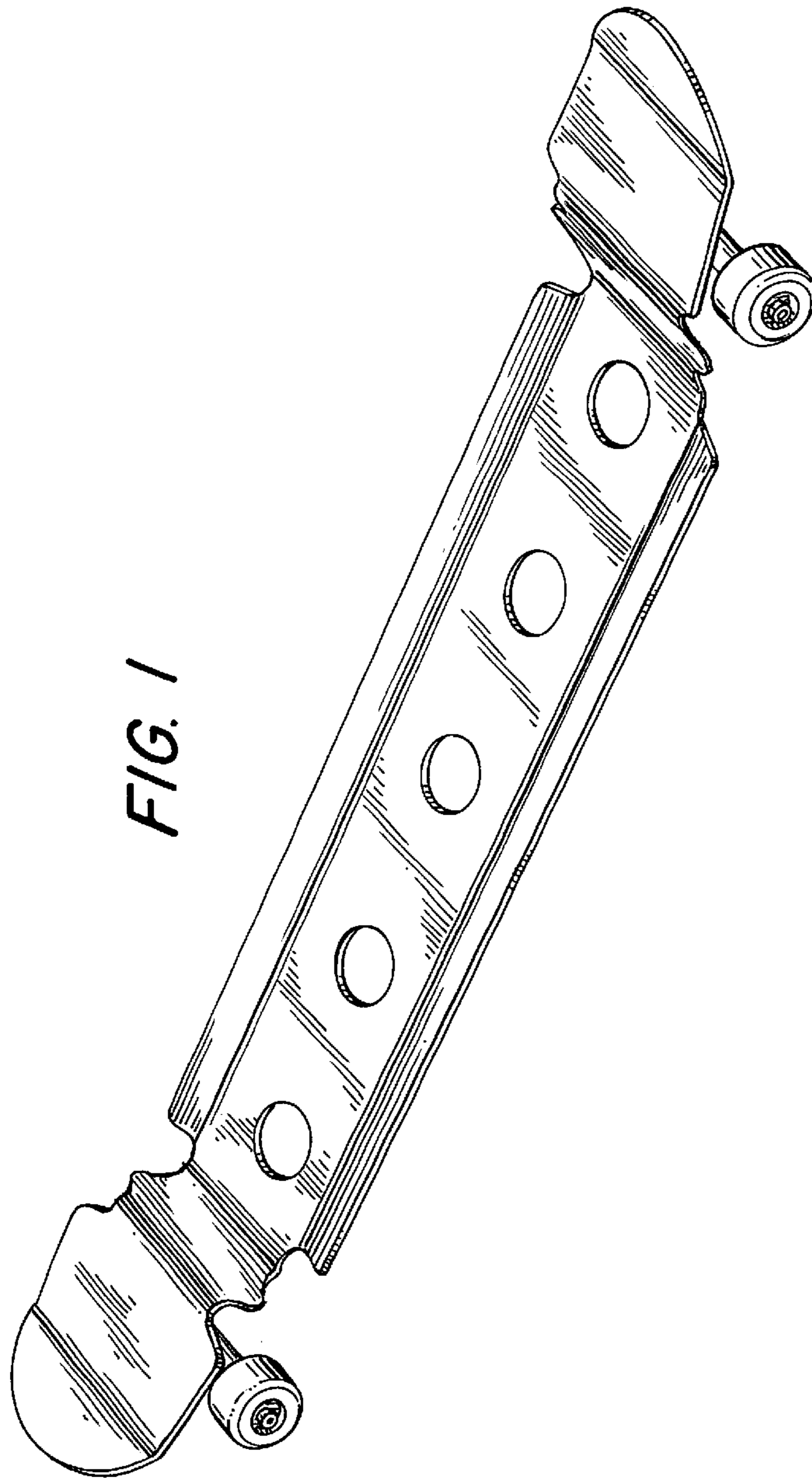


FIG. 1

FIG. 2

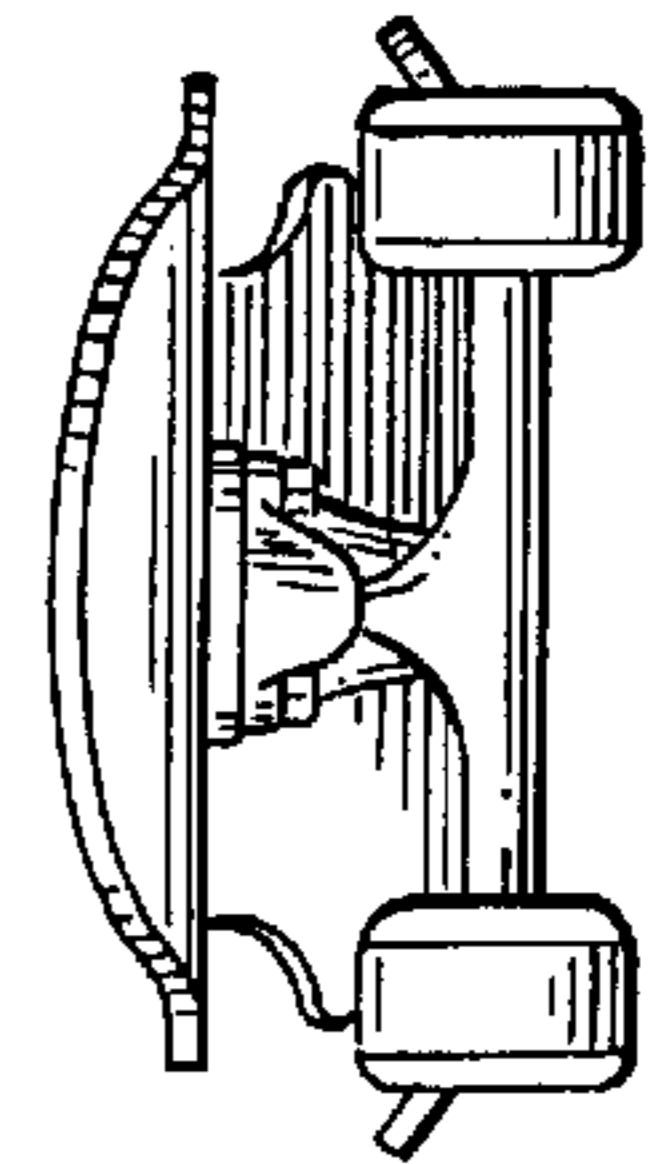


FIG. 3

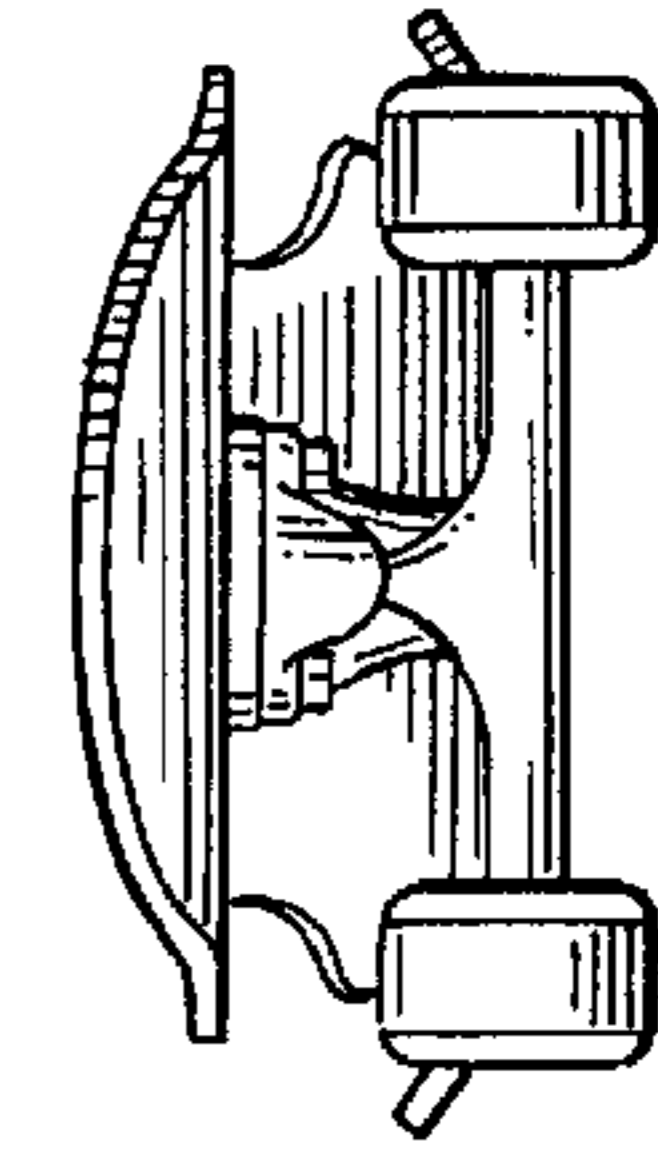


FIG. 4

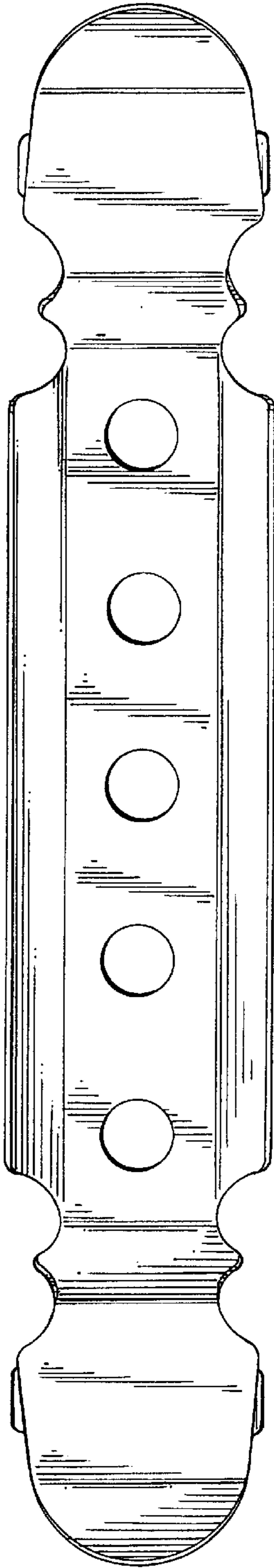


FIG. 5

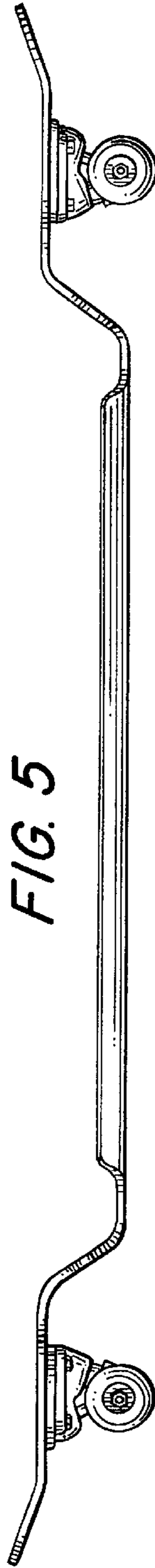


FIG. 6

