



US00D478638S

(12) **United States Design Patent**
Mukaida

(10) **Patent No.:** **US D478,638 S**

(45) **Date of Patent:** **** Aug. 19, 2003**

(54) **REMOTE CONTROLLER**

(75) Inventor: **Kenji Mukaida**, Tokyo (JP)

(73) Assignee: **Nikko Co., Ltd.**, Tokyo (JP)

(**) Term: **14 Years**

(21) Appl. No.: **29/169,715**

(22) Filed: **Oct. 21, 2002**

(51) **LOC (7) Cl.** **21-01**

(52) **U.S. Cl.** **D21/566**

(58) **Field of Search** D14/217-218,
D14/299; D13/168; D21/566; 348/734;
455/151.1, 151.2, 151.3, 151.4, 152.1, 352-355;
200/331

(56) **References Cited**

U.S. PATENT DOCUMENTS

D283,718 S * 5/1986 Kondo D21/566
D313,439 S * 1/1991 Kohno D21/566

5,158,495 A * 10/1992 Yonezawa 446/456
D390,613 S * 2/1998 Kanetsuma et al. D21/566
D411,265 S * 6/1999 Kanetsuma et al. D21/566

* cited by examiner

Primary Examiner—Raphael Barkai

(74) *Attorney, Agent, or Firm*—Young Law Firm, P.C.

(57) **CLAIM**

The ornamental design for a remote controller, as shown.

DESCRIPTION

FIG. 1 is a perspective view of the remote controller according to the present invention.

FIG. 2 is a left side view of the remote controller of FIG. 1.

FIG. 3 is a right side view of the remote controller of FIG. 1.

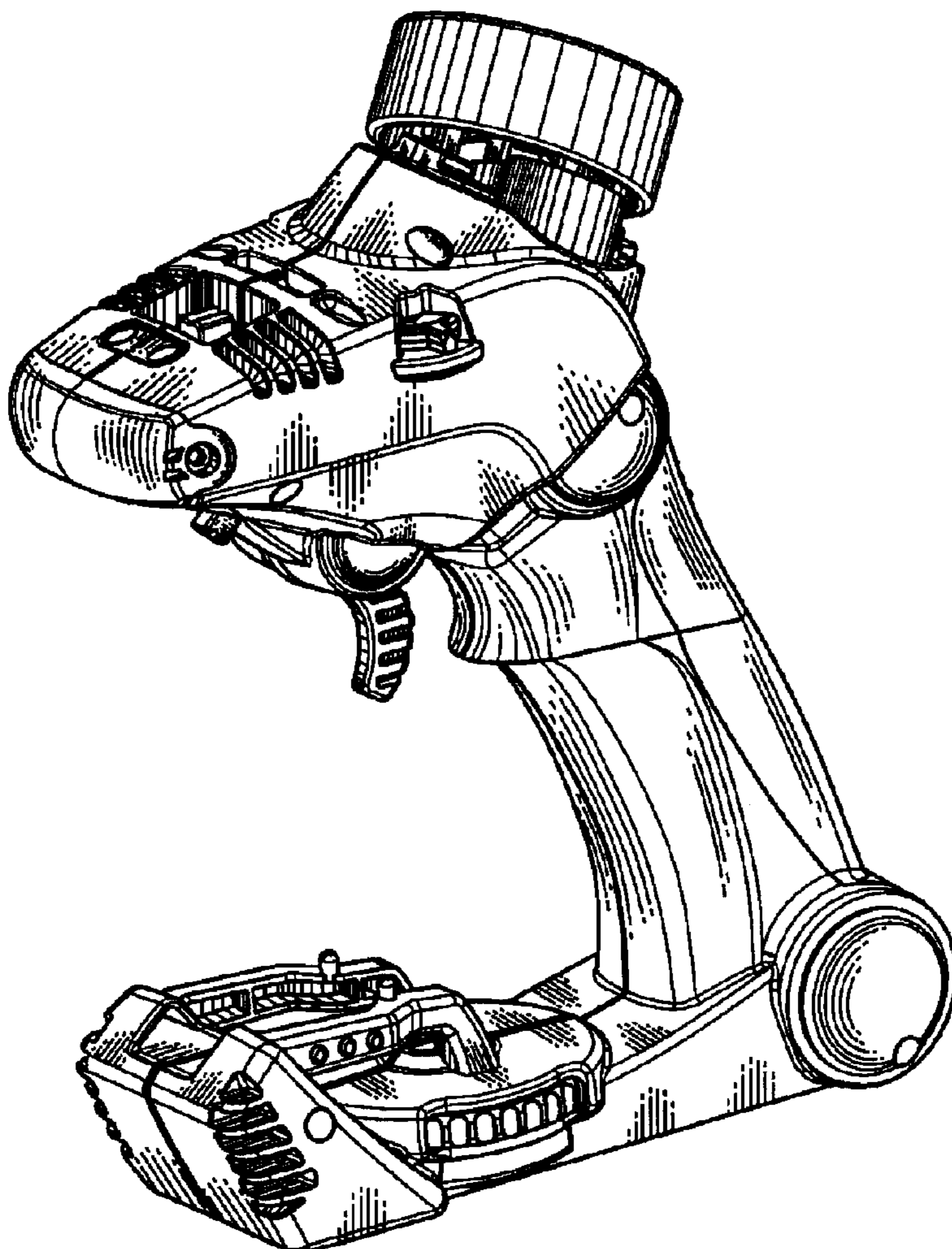
FIG. 4 is a top view of the remote controller of FIG. 1.

FIG. 5 is a bottom view of the remote controller of FIG. 1.

FIG. 6 is a front view of the remote controller of FIG. 1; and,

FIG. 7 is a rear view of the remote controller of FIG. 1.

1 Claim, 7 Drawing Sheets



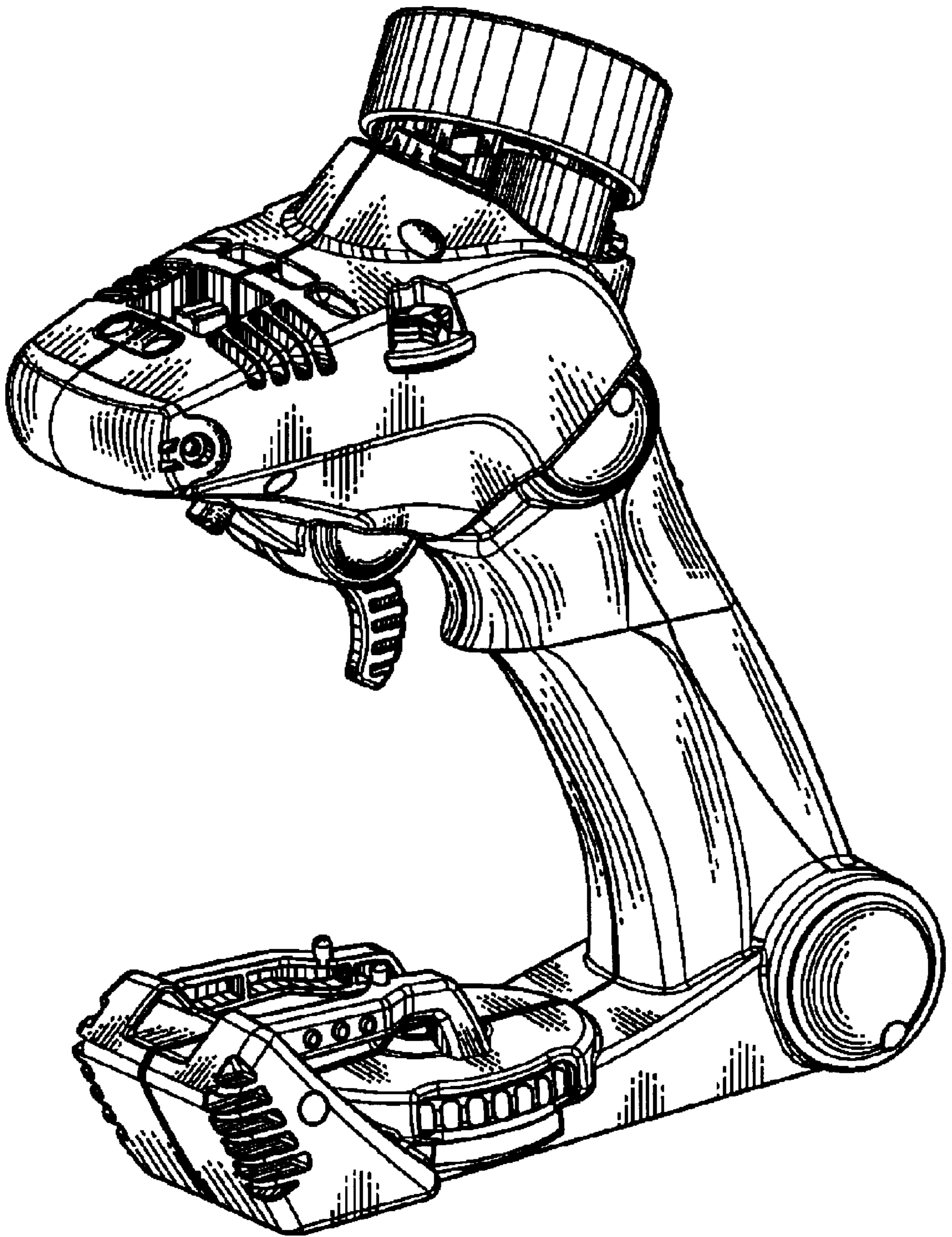


FIG. 1

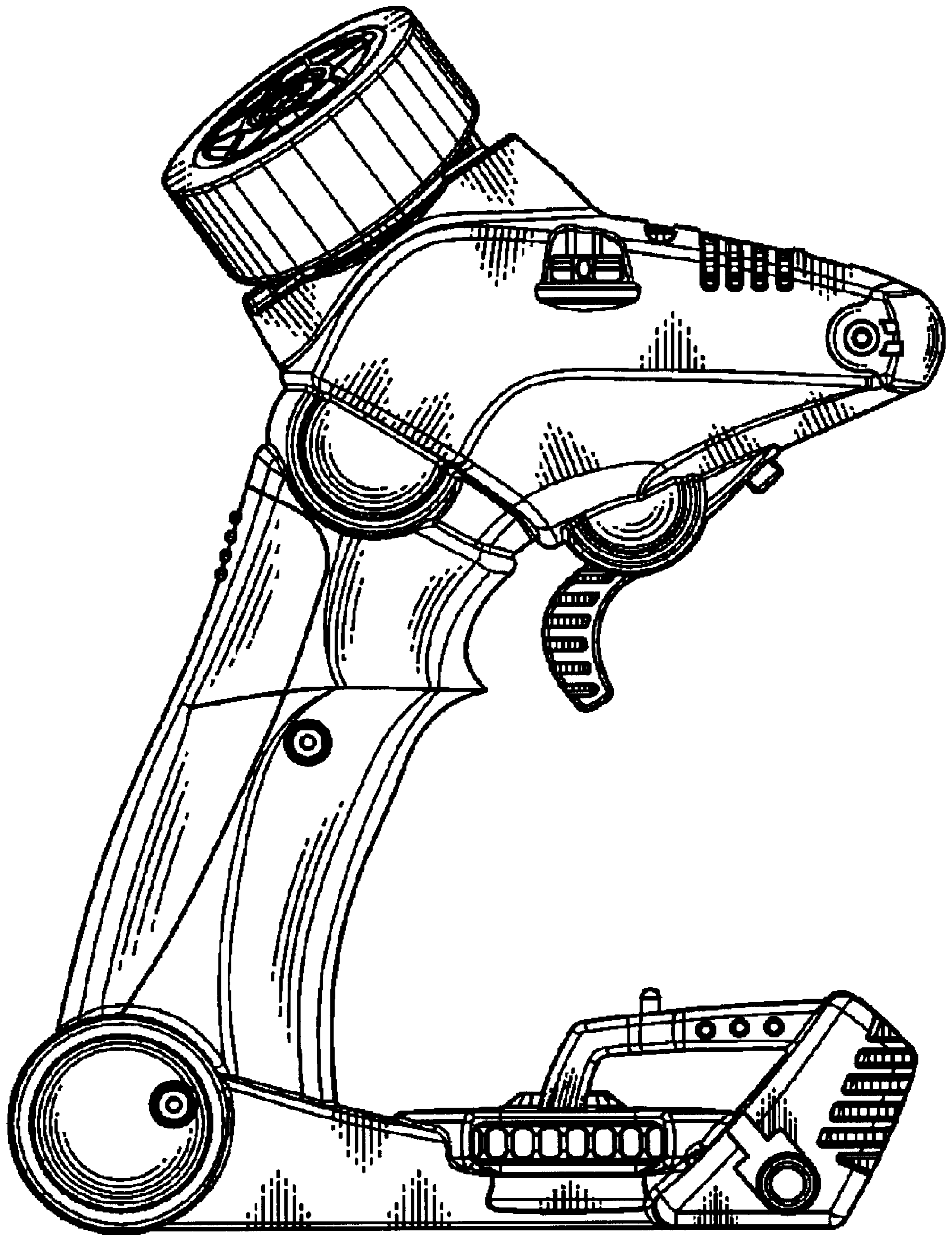


FIG. 2

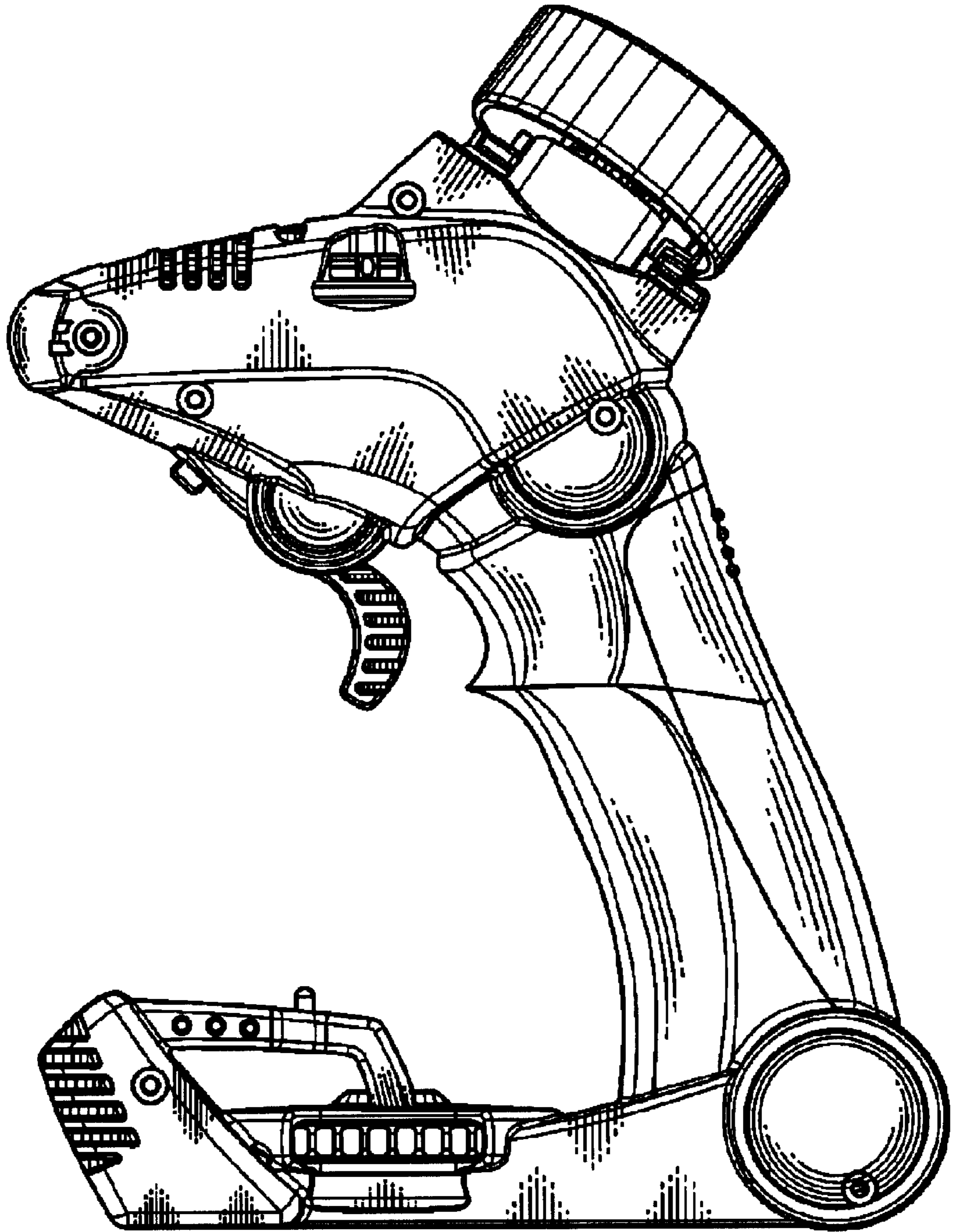


FIG. 3

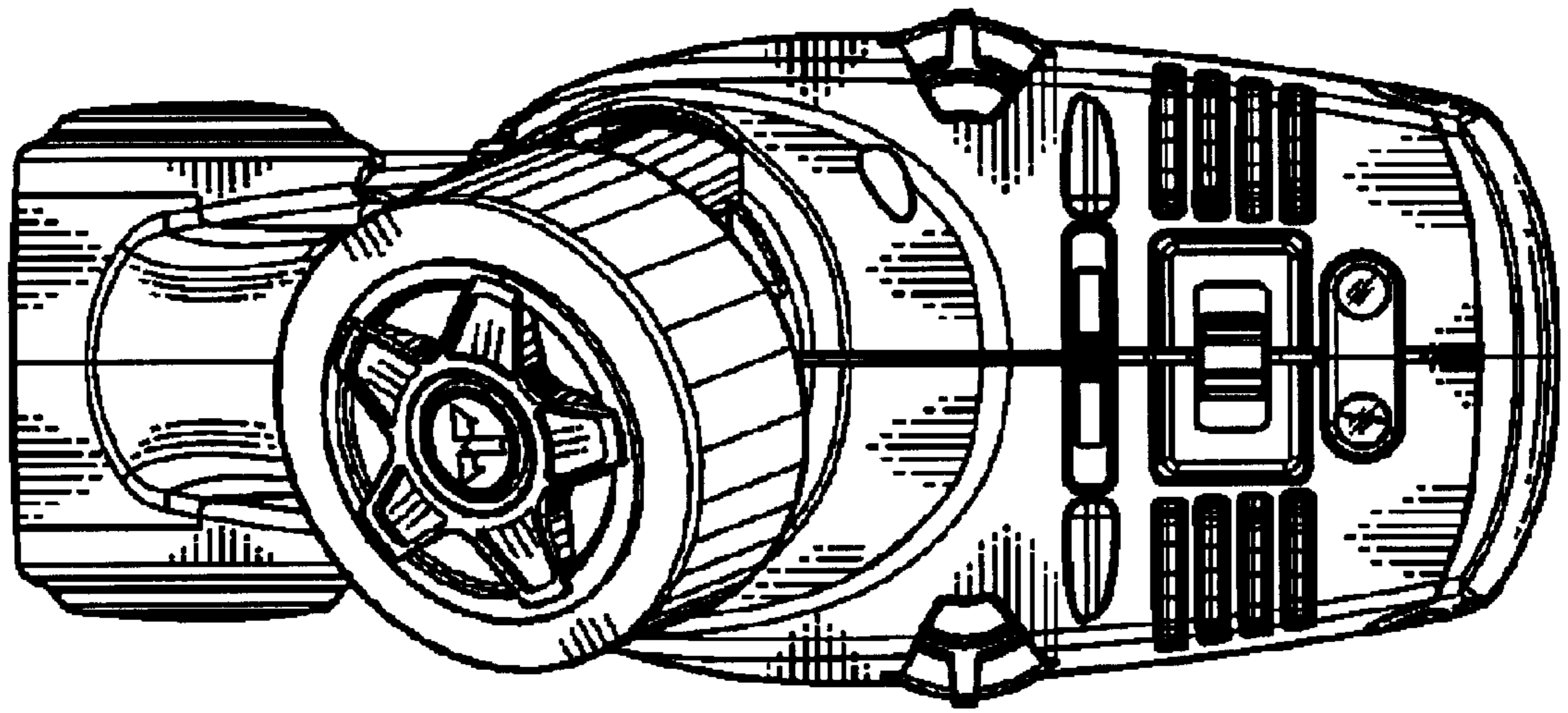


FIG. 4

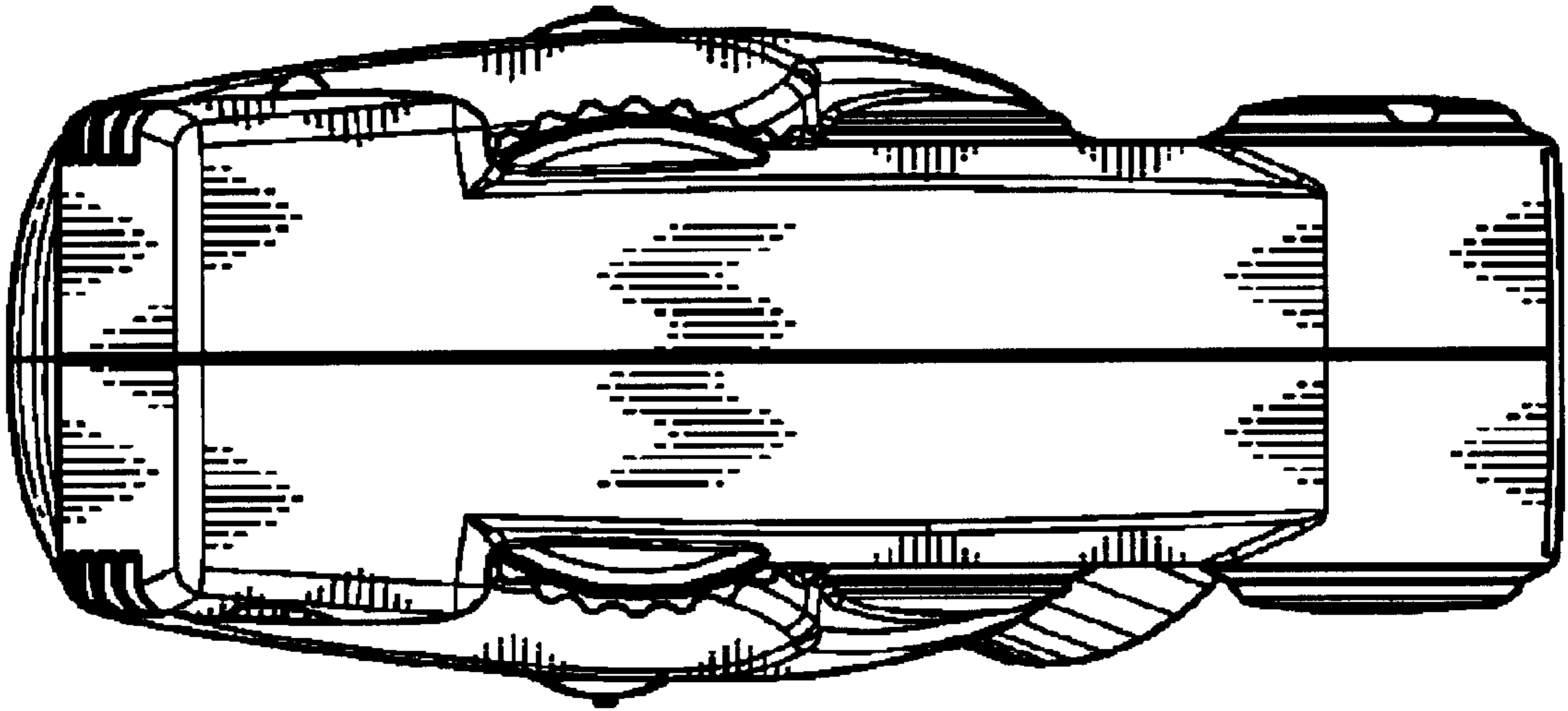


FIG. 5

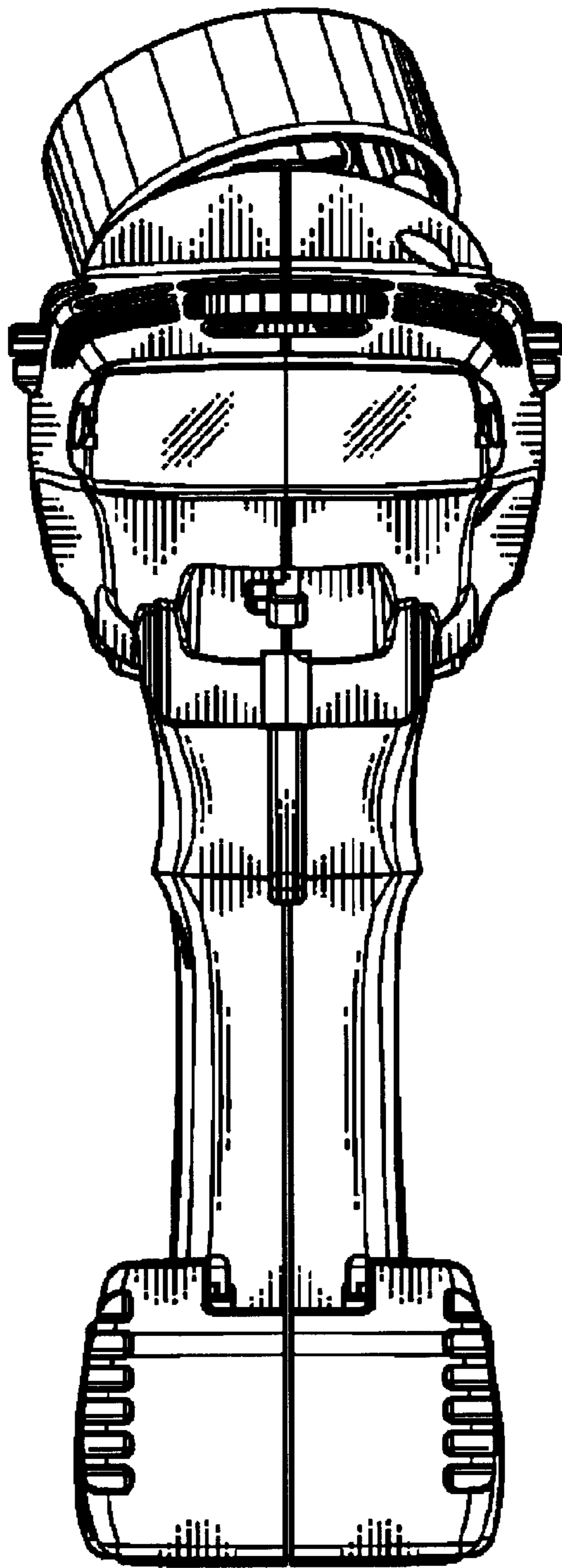


FIG. 6

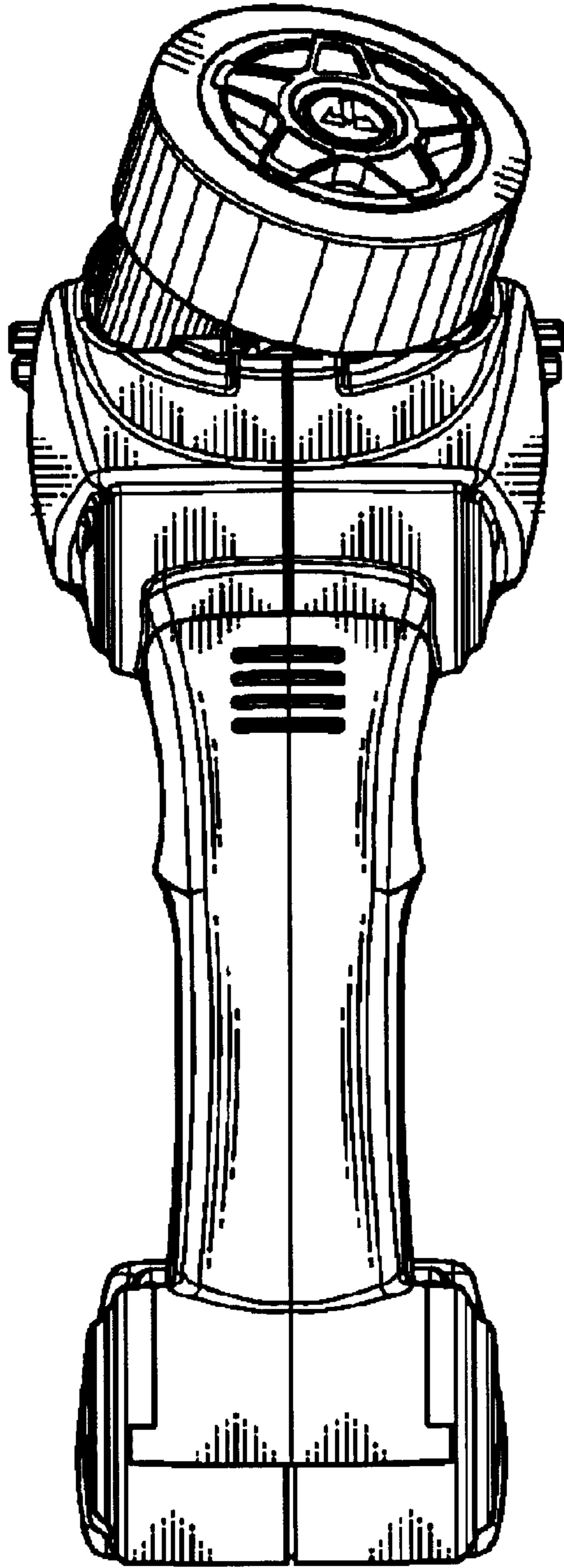


FIG. 7