



US00D478634S

(12) **United States Design Patent**
Whitworth et al.

(10) **Patent No.:** **US D478,634 S**
(45) **Date of Patent:** **** Aug. 19, 2003**

(54) **SIGN HANGER**

(75) Inventors: **Cameron Whitworth**, St. Davids (CA);
Scott Duyn, St. Catherines (CA)

(73) Assignee: **Perennial Inc.**, Toronto (CA)

(**) Term: **14 Years**

(21) Appl. No.: **29/156,326**

(22) Filed: **Feb. 28, 2002**

(30) **Foreign Application Priority Data**

Aug. 28, 2001 (CA) 2001-2106

(51) **LOC (7) Cl.** **20-02**

(52) **U.S. Cl.** **D20/43**

(58) **Field of Search** D20/10, 22, 27,
D20/40, 42, 43, 99; 40/1.5, 1.6, 124.1,
124.06, 331, 617, 633, 640, 661.04; 248/328,
329

(56) **References Cited**

U.S. PATENT DOCUMENTS

D103,835 S * 3/1937 Stanley D20/10
D180,823 S * 8/1957 Erdmann D20/10
D209,799 S * 1/1968 Stubbs D6/316
D260,781 S * 9/1981 Lusher D20/22

4,294,425 A * 10/1981 Weber 248/328
D291,545 S * 8/1987 Falco D11/117
5,228,539 A * 7/1993 Wertheim 248/328
5,529,274 A 6/1996 Anderson et al. 248/329
D403,707 S * 1/1999 Wyatt et al. D20/29
5,870,845 A 2/1999 Ruderman et al. 40/601

* cited by examiner

Primary Examiner—Robert M. Spear

(74) *Attorney, Agent, or Firm*—Dimock Stratton Clarizio;
Mark B. Eisen

(57) **CLAIM**

The ornamental design for a sign hanger, as shown and described.

DESCRIPTION

FIG. 1 is a perspective view of the sign hanger;
FIG. 2 is a front elevational view of the sign hanger, the rear elevational view being a mirror image thereof;
FIG. 3 is a side elevational view of the sign hanger in a closed position, the opposite elevational view being a mirror image thereof; and,
FIG. 4 is a side elevational view of the sign hanger in an open position, the opposite elevational view being a mirror image thereof.

1 Claim, 3 Drawing Sheets

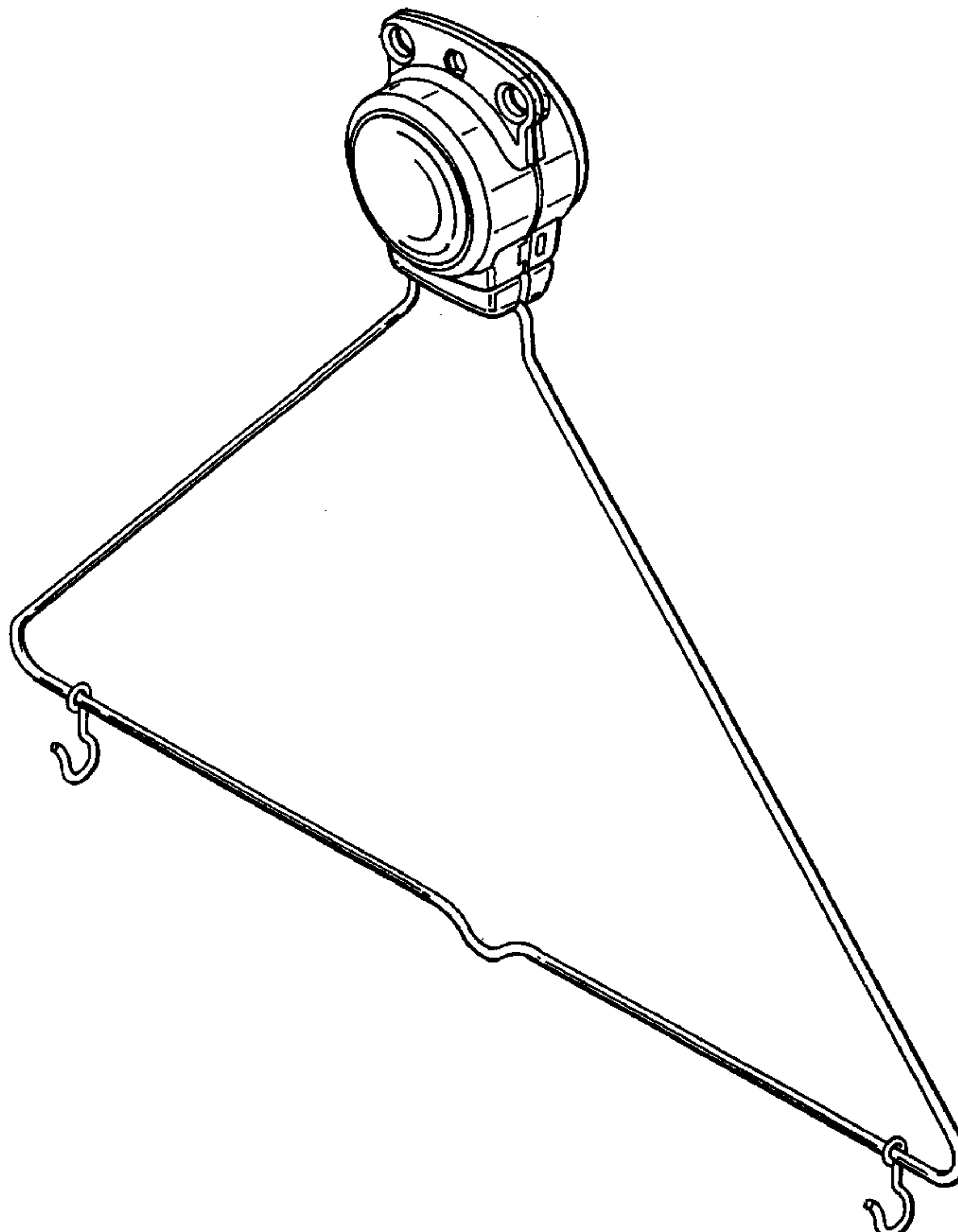


FIG. 1.

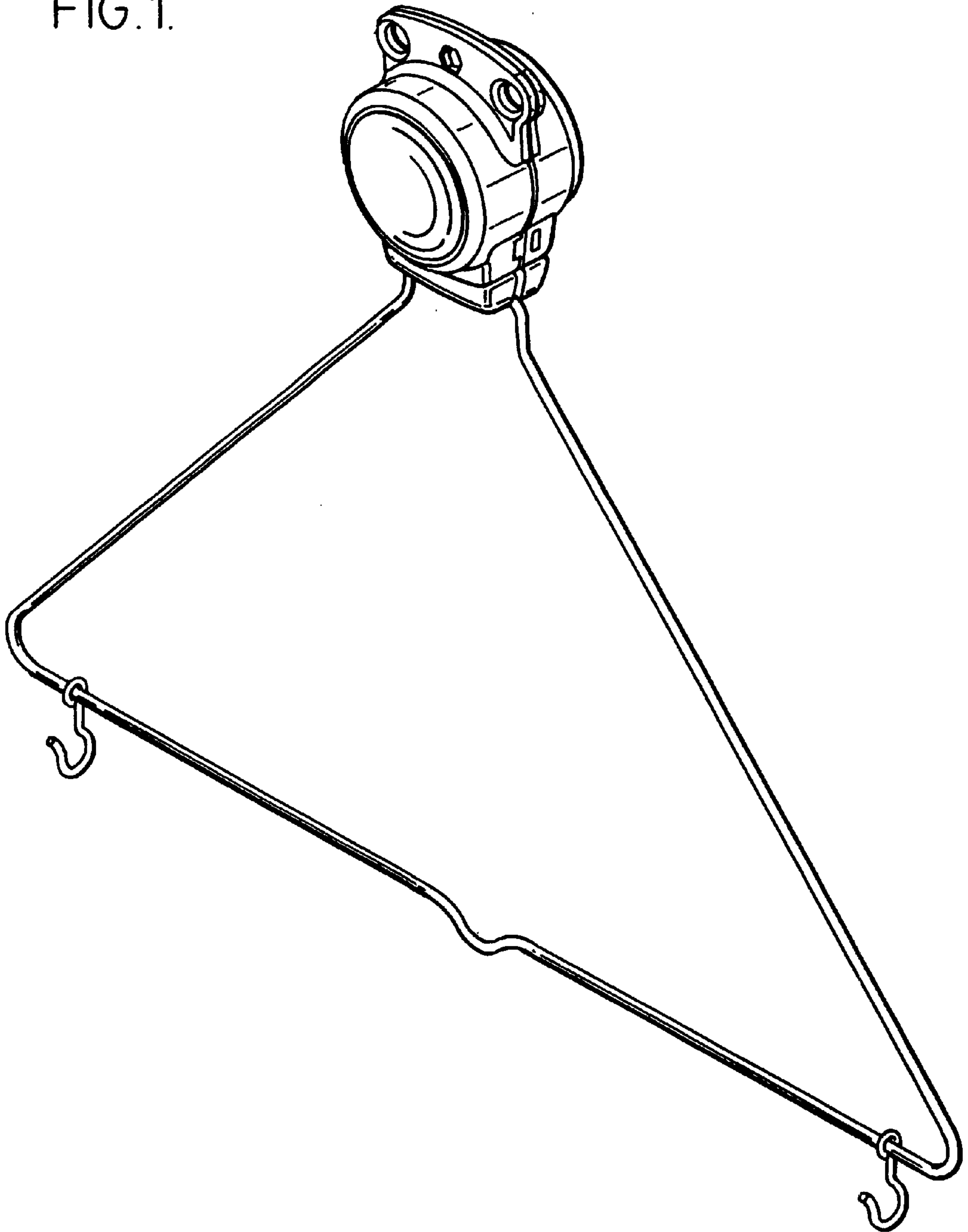


FIG. 2.

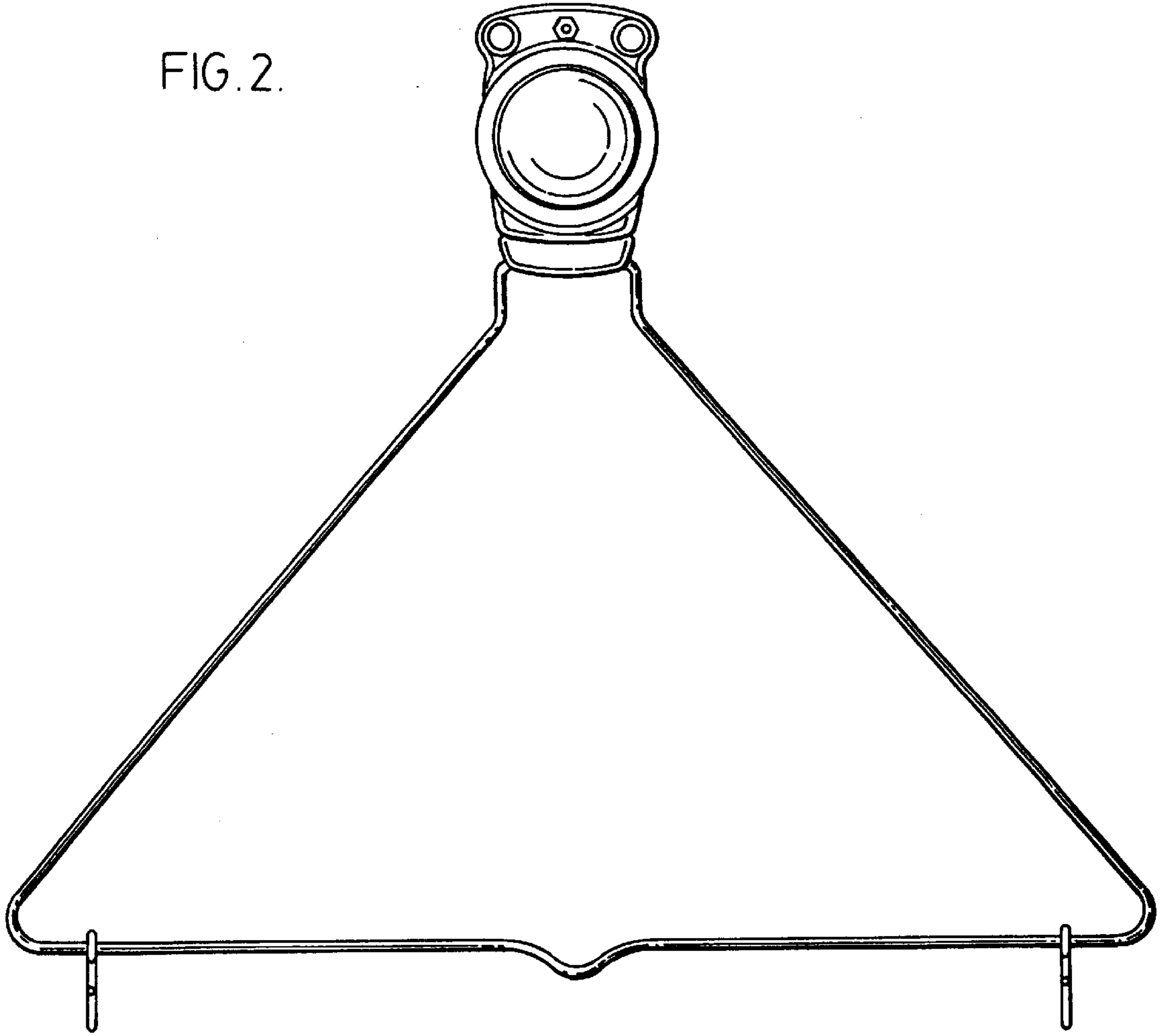


FIG. 3.

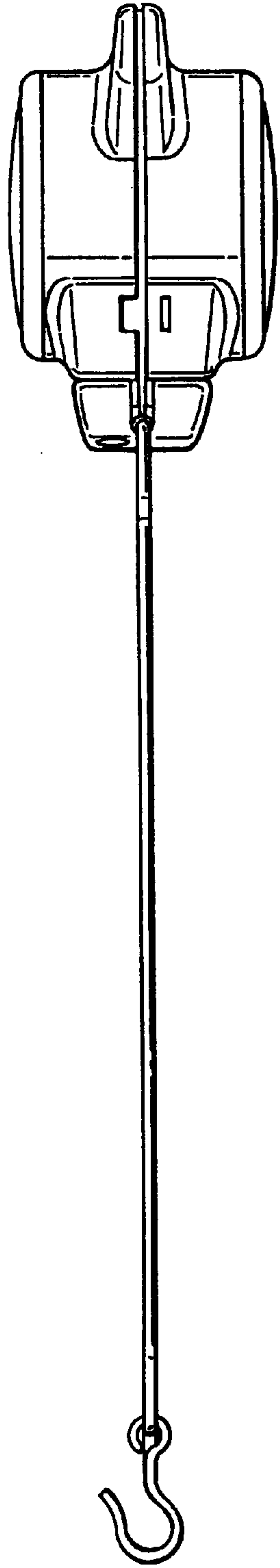


FIG. 4.

