



US00D478633S

(12) **United States Design Patent**
Beghelli

(10) **Patent No.:** **US D478,633 S**

(45) **Date of Patent:** **** Aug. 19, 2003**

(54) **LIGHTING DEVICE, WHICH IS USED, IN PARTICULAR FOR EMERGENCY SIGNALING**

D402,316 S * 12/1998 Evarts et al. D20/42
D458,178 S * 6/2002 Bradshaw D10/114
D472,276 S * 3/2003 Beghelli D20/42
D472,277 S * 3/2003 Beghelli D20/42

(75) Inventor: **Gian Pietro Beghelli, Monteveglio (IT)**

* cited by examiner

(73) Assignee: **Beghelli S.p.A., Monteveglio (IT)**

(**) Term: **14 Years**

Primary Examiner—Marcus A. Jackson

(74) *Attorney, Agent, or Firm*—Hedman & Costigan, P.C.

(21) Appl. No.: **29/150,761**

(22) Filed: **Nov. 28, 2001**

(30) **Foreign Application Priority Data**

Jun. 4, 2001 (IT) MI200100431

(51) **LOC (7) Cl.** **20-02**

(52) **U.S. Cl.** **D20/42**

(58) **Field of Search** D10/114, 109;
D20/10, 42; D26/124; 315/129; 340/505,
538; 362/259; 248/288.11, 317, 327; 40/570,
617

(56) **References Cited**

U.S. PATENT DOCUMENTS

D398,656 S * 9/1998 Kobayashi et al. D10/114

(57) **CLAIM**

I claim, the ornamental design for a lighting device, which is used, in particular for emergency signaling, as shown and described.

DESCRIPTION

FIG. 1 is a perspective view of a lighting device, which is used, in particular for emergency signaling, showing my new design;

FIG. 2 is a front elevation view thereof; and,

FIG. 3 is a side elevation view thereof, with the opposite side being a mirror image.

1 Claim, 2 Drawing Sheets

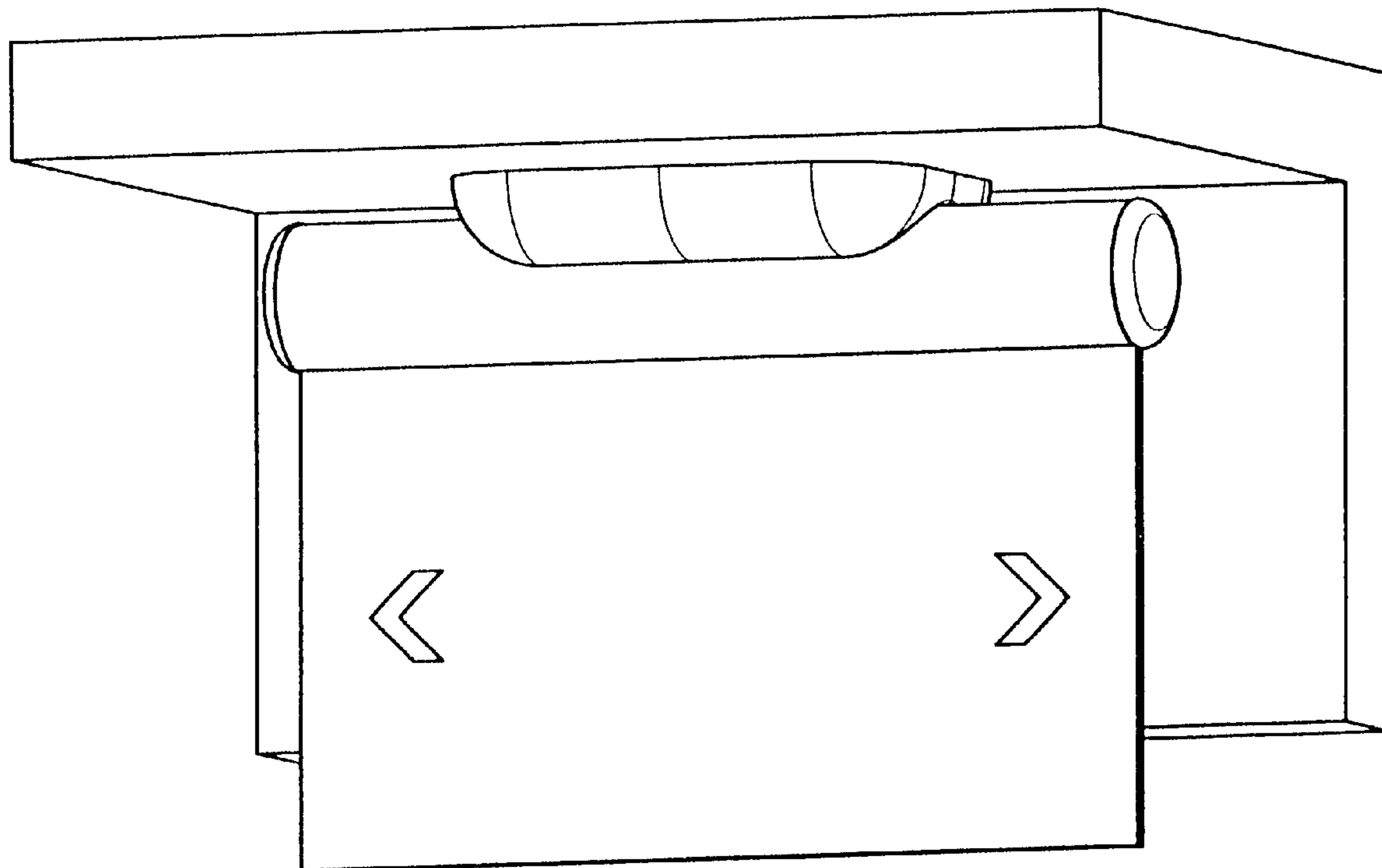


Fig.1

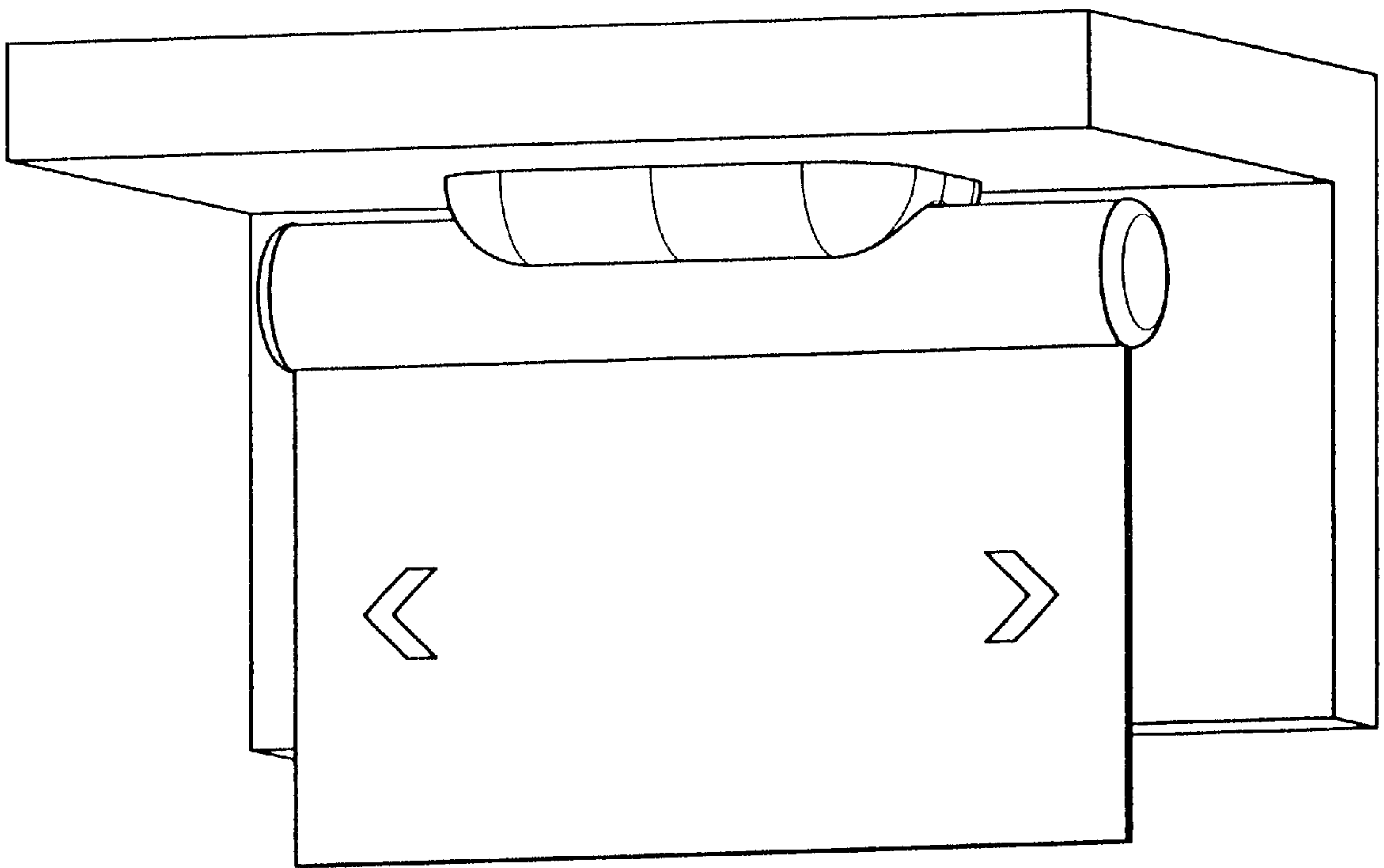


Fig.3

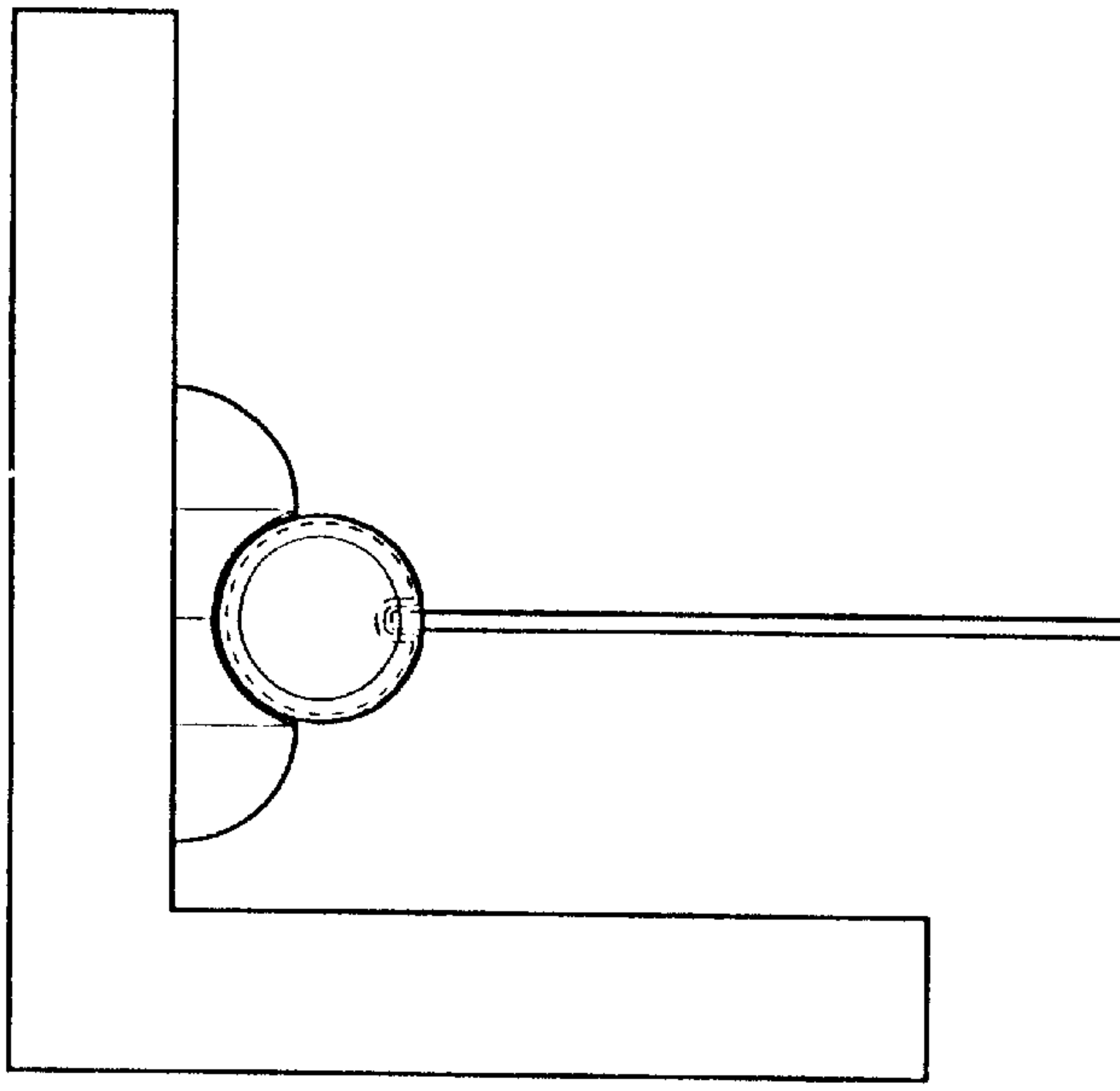


Fig.2

