



US00D478631S

(12) **United States Design Patent**
Serrault et al.

(10) **Patent No.:** **US D478,631 S**

(45) **Date of Patent:** **** Aug. 19, 2003**

(54) **ARCH WRITING IMPLEMENT CONTAINER**

(75) Inventors: **Jayson Serrault**, Middleton, WI (US);
Gil Gaska, Madison, WI (US)

(73) Assignee: **Berol Corporation**, Freeport, IL (US)

(**) Term: **14 Years**

(21) Appl. No.: **29/147,709**

(22) Filed: **Aug. 31, 2001**

(51) **LOC (7) Cl.** **19-06**

(52) **U.S. Cl.** **D19/85; D19/77; D19/99**

(58) **Field of Search** D7/619, 641, 504;
D19/65, 75, 76, 77, 81-85, 92, 95, 99,
100; 206/214, 224, 371; 211/69.1-69.9;
248/473; 40/600; D6/407

(56) **References Cited**

U.S. PATENT DOCUMENTS

1,172,606	A	*	2/1916	Jones	248/473
D138,818	S	*	9/1944	Kiser	D19/92
D145,868	S	*	11/1946	Fletcher	D19/85 X
D174,206	S	*	3/1955	Waterman	D19/85
D209,455	S	*	12/1967	Clark	D6/407
D217,993	S	*	7/1970	Woofter	D19/85 X
D248,330	S	*	6/1978	Postma	D19/85 X
D414,209	S	*	9/1999	Koehneke et al.	D19/76
D425,129	S		5/2000	Koehneke et al.		
D431,601	S	*	10/2000	Koehneke et al.	D19/76
6,308,446	B1	*	10/2001	Healy	40/600

OTHER PUBLICATIONS

“Product & Price Guide”; Newell Office Products; ©2000 (Prices effective Apr. 1, 2000); M-991408; (front and back covers, pp. 4-30, 68-69, 77, and 81).

* cited by examiner

Primary Examiner—Martie K. Holtje

(74) *Attorney, Agent, or Firm*—Marshall, Gerstein & Borun

(57) **CLAIM**

We claim the ornamental design for an arch writing implement container, as shown and described.

DESCRIPTION

FIG. 1 is a perspective view of an arch writing implement container;

FIG. 2 is a front view of the arch writing implement container shown in FIG. 1, the rear view of the arch writing implement container being the same as that shown in FIG. 2;

FIG. 3 is a side view of the arch writing implement container shown in FIG. 1, the opposite side of the arch writing implement container being the same as that shown in FIG. 3;

FIG. 4 is a top view of the arch writing implement container shown in FIG. 1; and,

FIG. 5 is a bottom view of the arch writing implement container shown in FIG. 1.

The ornamental design which is claimed is shown in solid lines in the drawings. The broken lines in the drawings are for illustrative purposes only and form no part of the claimed design.

1 Claim, 3 Drawing Sheets

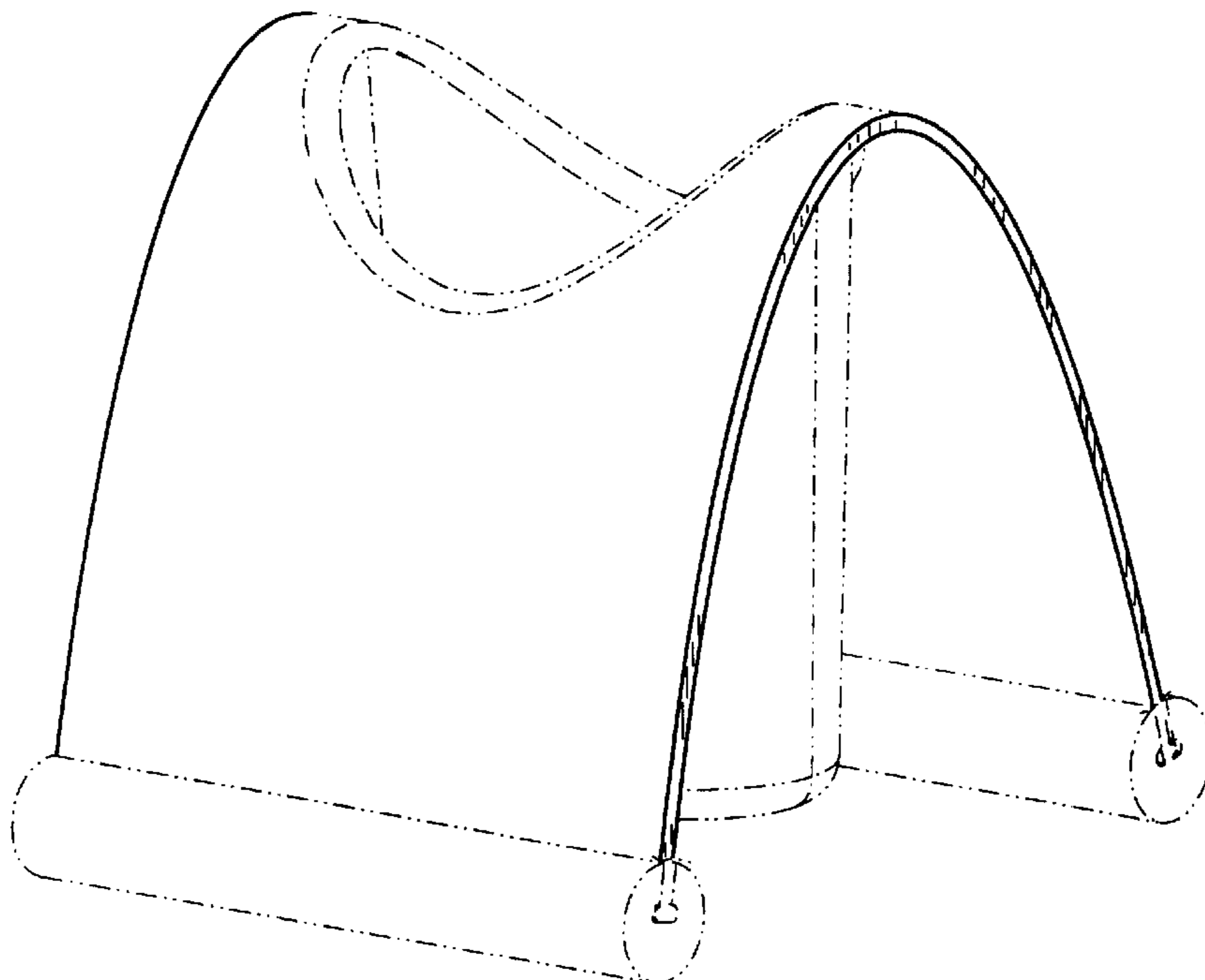


FIG. 1

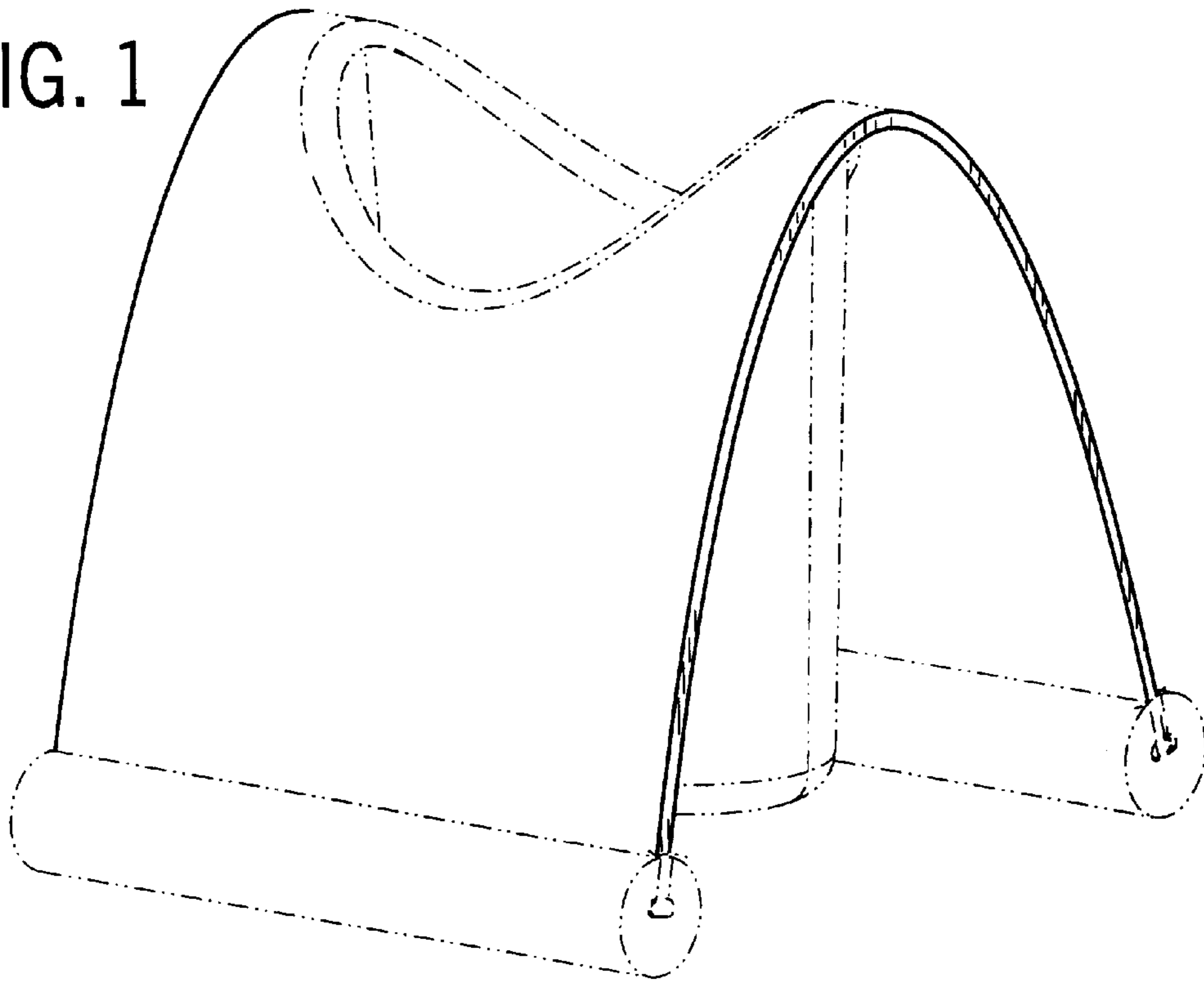


FIG. 2

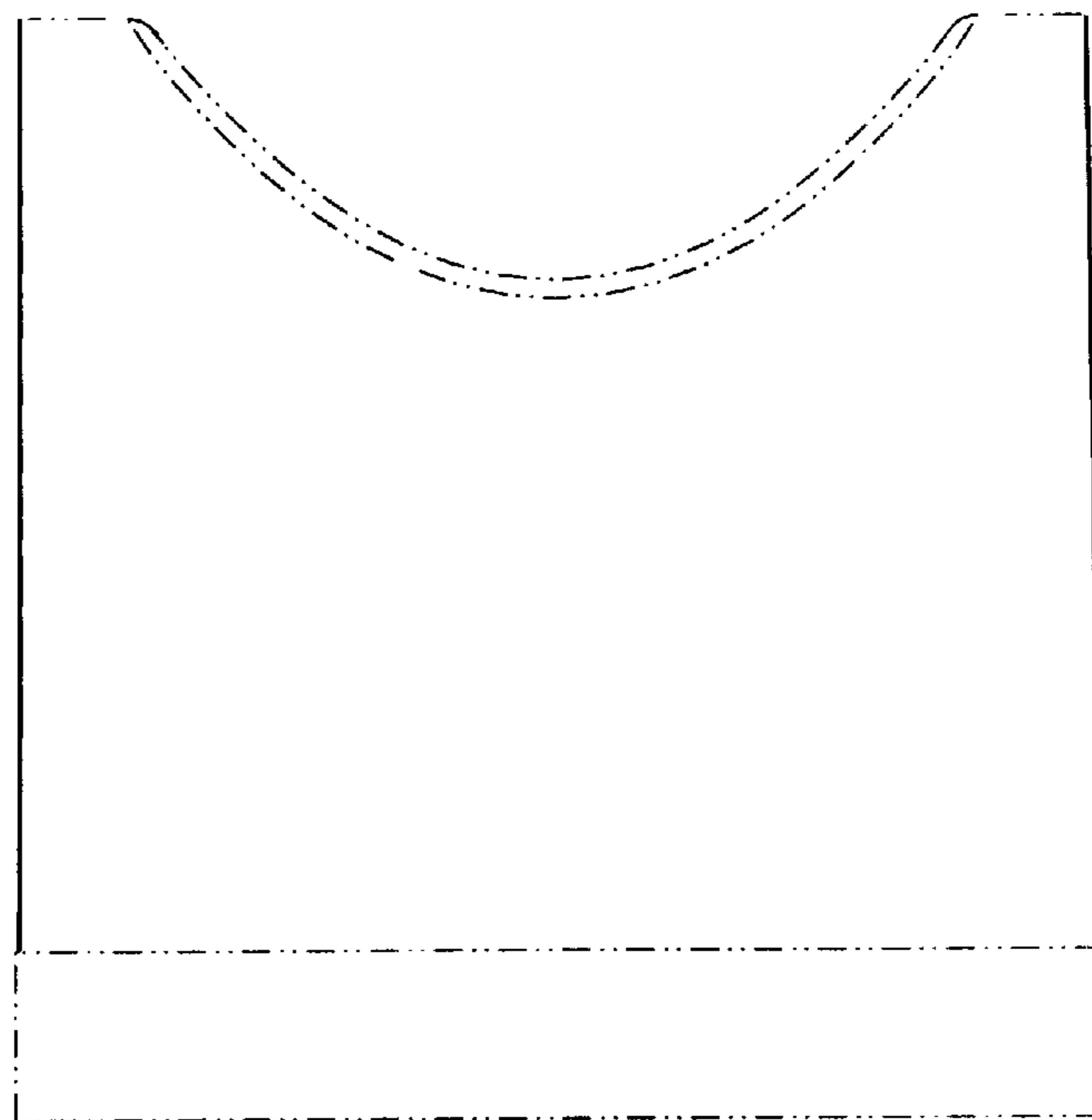


FIG. 3

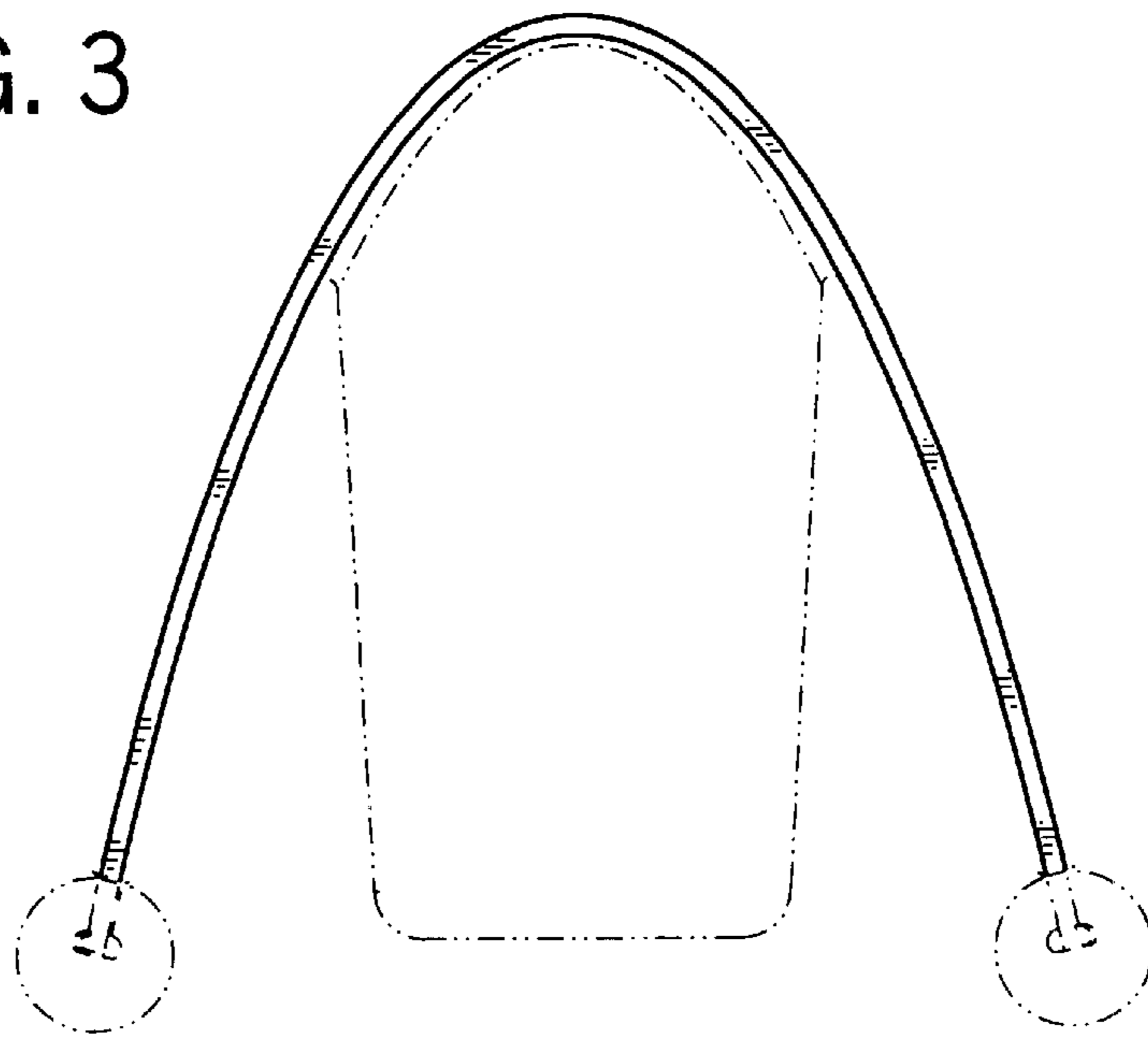


FIG. 4

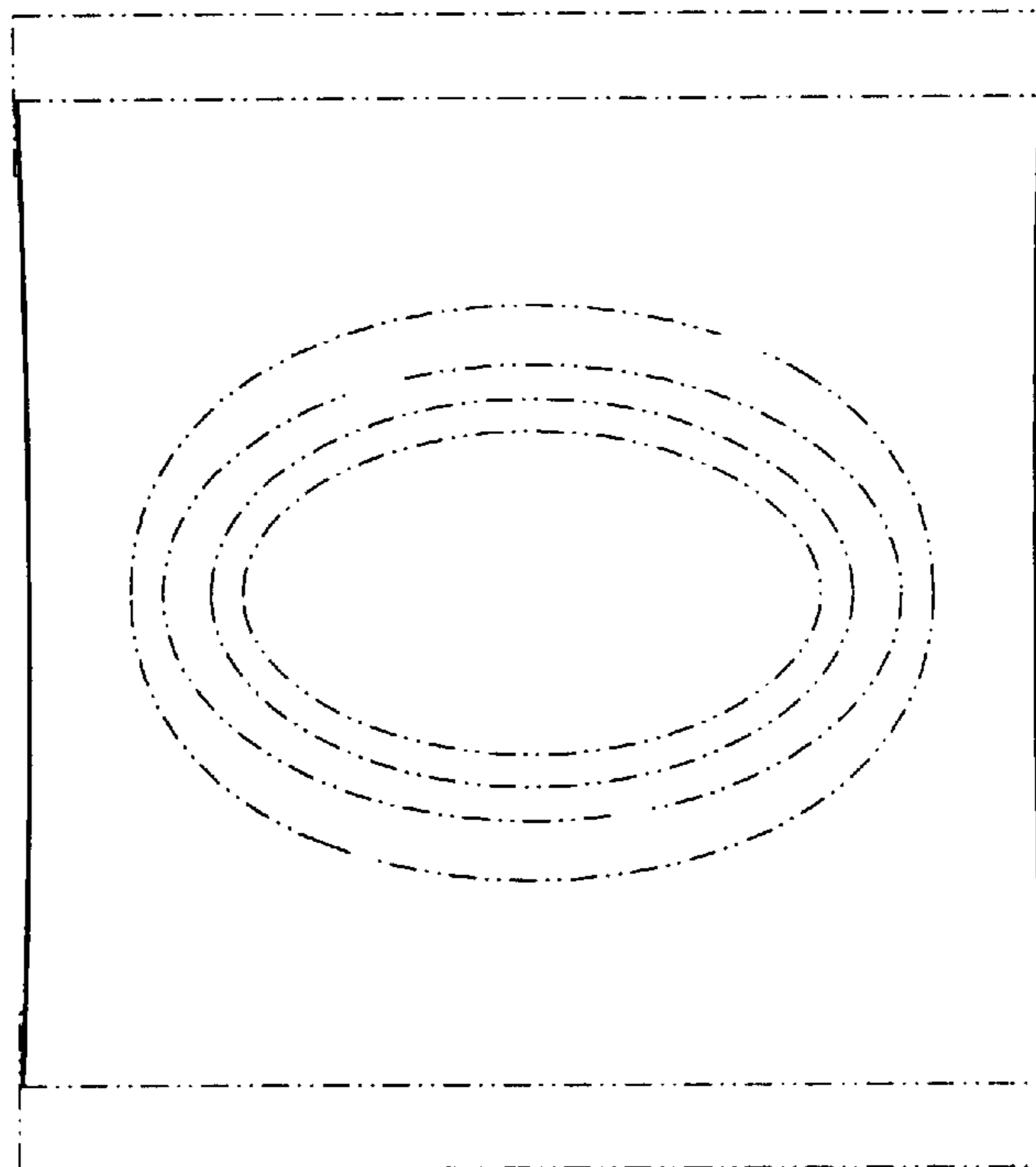


FIG. 5

