



US00D478629S

(12) **United States Design Patent**
Hsu

(10) **Patent No.:** **US D478,629 S**

(45) **Date of Patent:** **** Aug. 19, 2003**

(54) **OFFICE SUPPLY CASE WITH A MAGNETIC TURNING DISK**

(76) Inventor: **Nick Hsu**, 17th Fl.-3, No. 424,
Chungming Rd., Taichung (TW)

(**) Term: **14 Years**

(21) Appl. No.: **29/166,541**

(22) Filed: **Aug. 29, 2002**

(51) **LOC (7) Cl.** **19-02**

(52) **U.S. Cl.** **D19/75; D19/77**

(58) **Field of Search** **D19/65, 75, 77,**
D19/86, 92, 95, 99, 100, 81-85; 206/338,
214, 350, 818; 221/212, 212 R; 312/35;
211/69.1-69.9

(56) **References Cited**

U.S. PATENT DOCUMENTS

1,240,279	A	*	9/1917	Wilson	118/248
3,587,835	A	*	6/1971	Shore	206/350
D266,934	S	*	11/1982	King	D19/75
D278,641	S	*	4/1985	Henkels	D19/77
D282,380	S	*	1/1986	King	D19/75
D302,832	S	*	8/1989	King	D19/75
D316,112	S	*	4/1991	Windorski	D19/86

5,097,947	A	*	3/1992	Hsu	206/214
D325,395	S	*	4/1992	Tu	D19/75
5,205,407	A	*	4/1993	Tu	206/338
6,450,365	B1	*	9/2002	Yamazaki	221/212

* cited by examiner

Primary Examiner—Martie K. Holtje

(74) *Attorney, Agent, or Firm*—William E. Pelton, Esq.

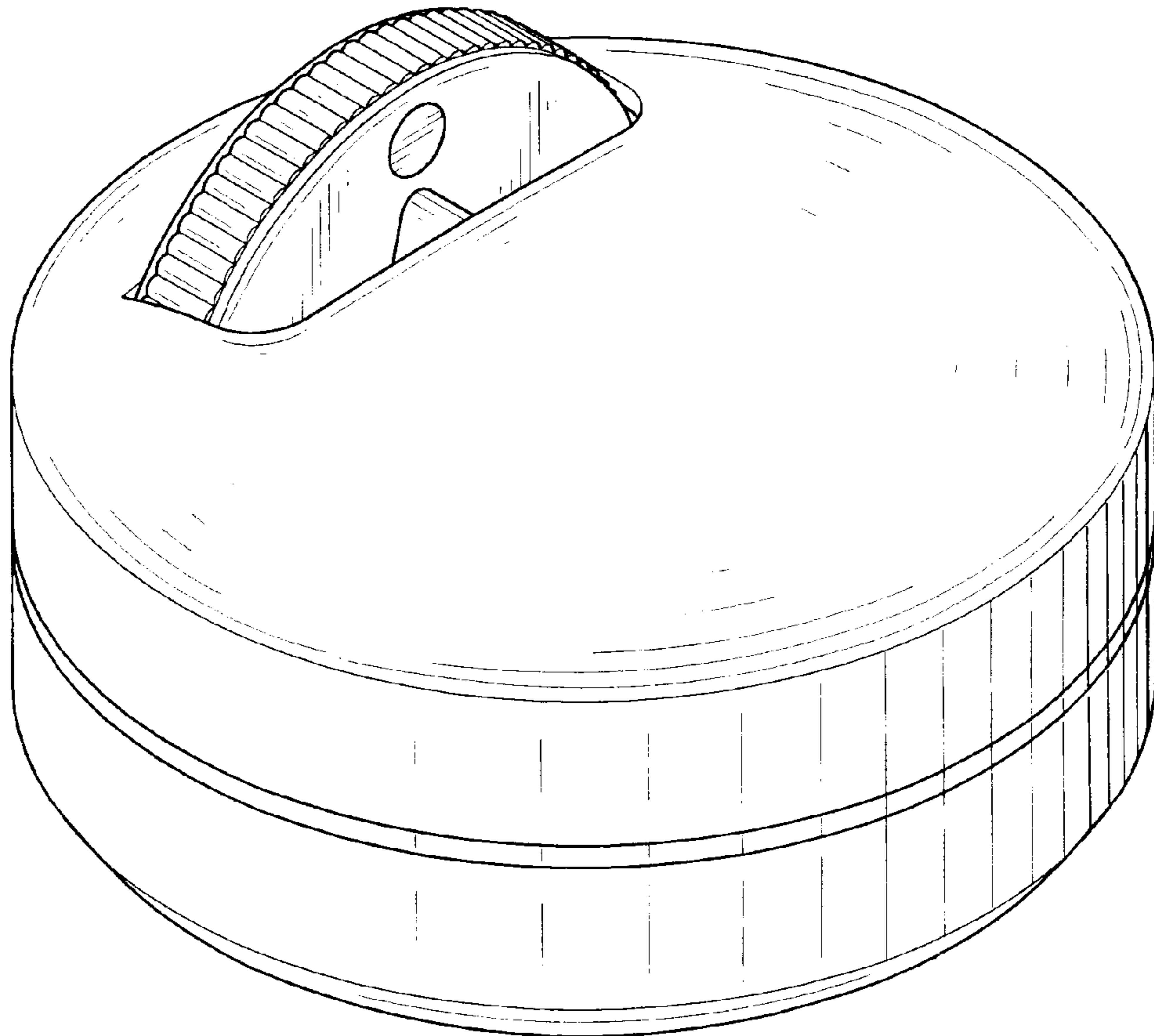
(57) **CLAIM**

The ornamental design for an office supply case with a magnetic turning disk, as shown and described.

DESCRIPTION

FIG. 1 is a perspective view of an office supply case with a magnetic turning disk, showing my new design; FIG. 2 is a front elevational view thereof; FIG. 3 is a rear elevational view thereof; FIG. 4 is a left side elevational view thereof; FIG. 5 is a right side elevational view thereof; FIG. 6 is a top plan view thereof; and FIG. 7 is a bottom plan view thereof; and, FIG. 8 is a perspective referential view thereof, wherein the broken lines and office supplies are shown for illustrative purposes only and form no part of the claimed design.

1 Claim, 5 Drawing Sheets



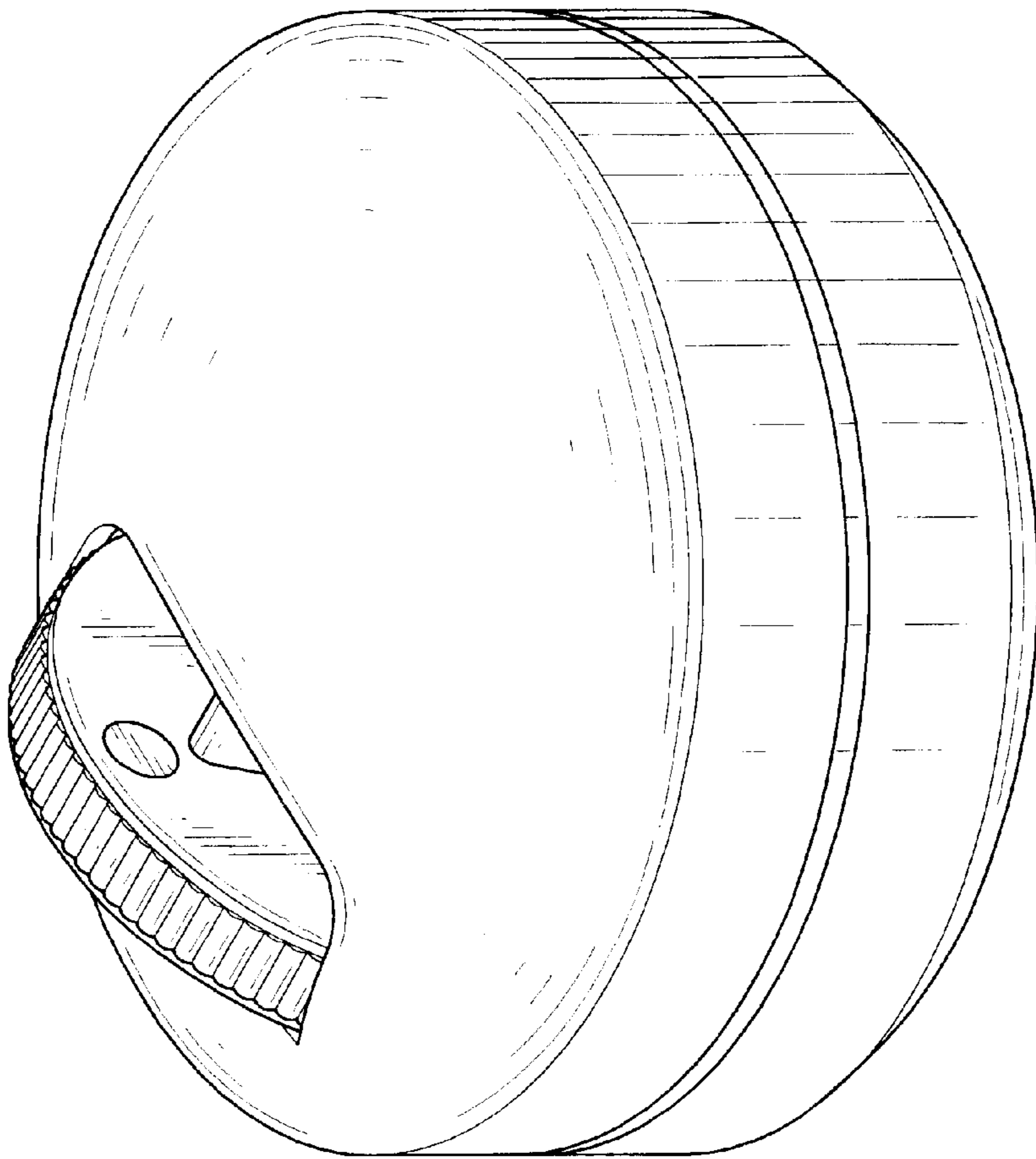


FIG.1

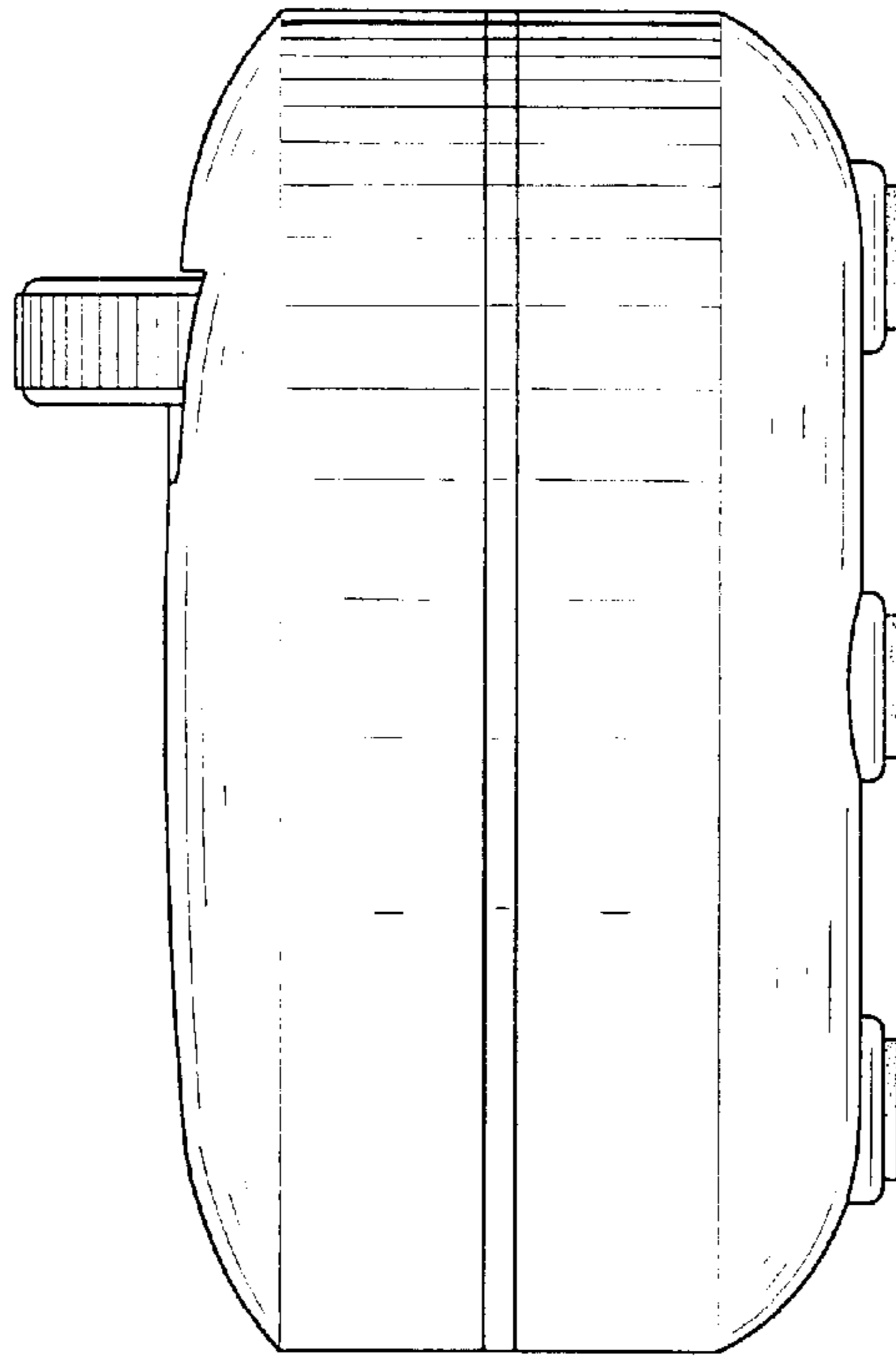


FIG.3

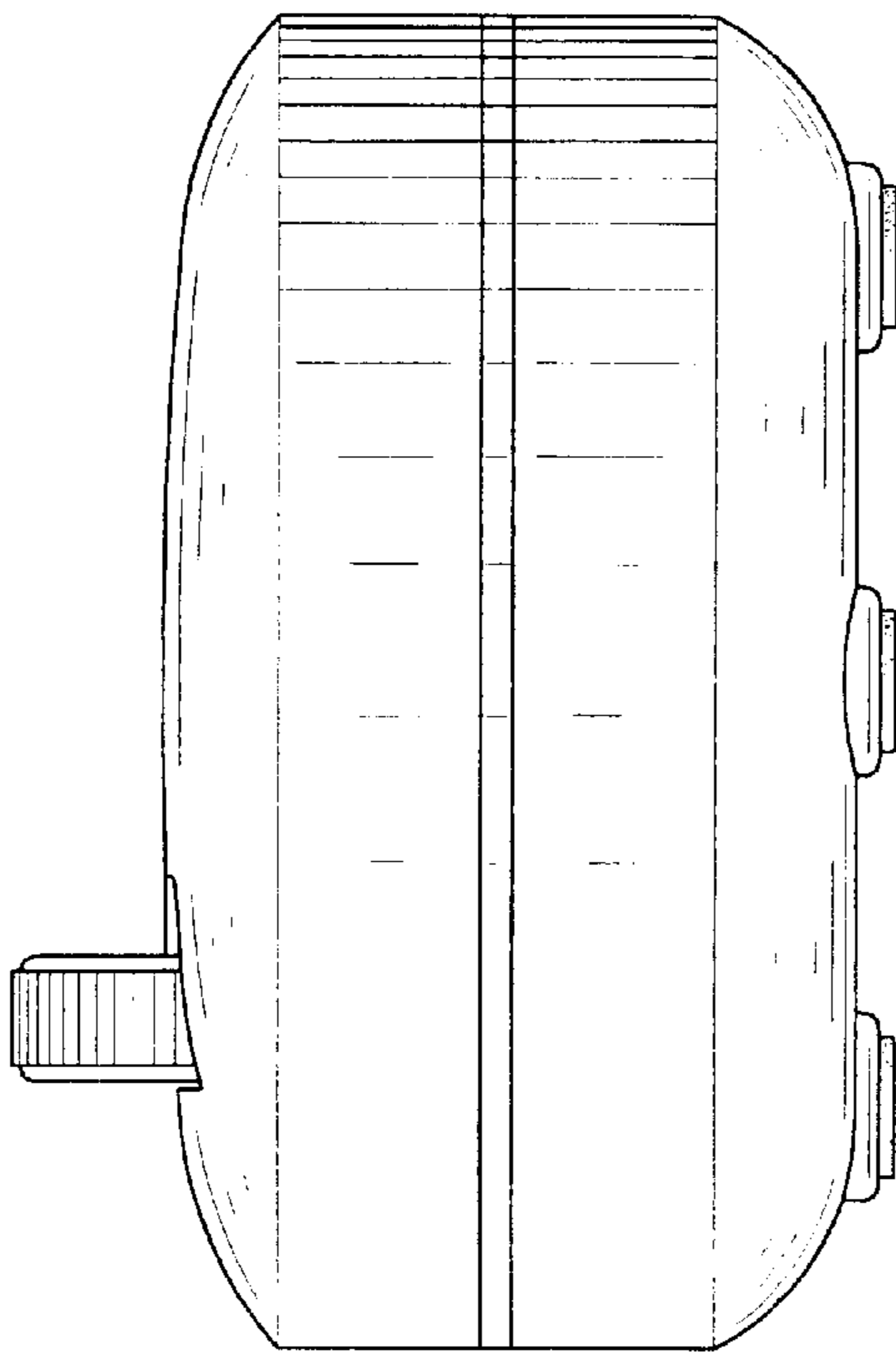


FIG.2

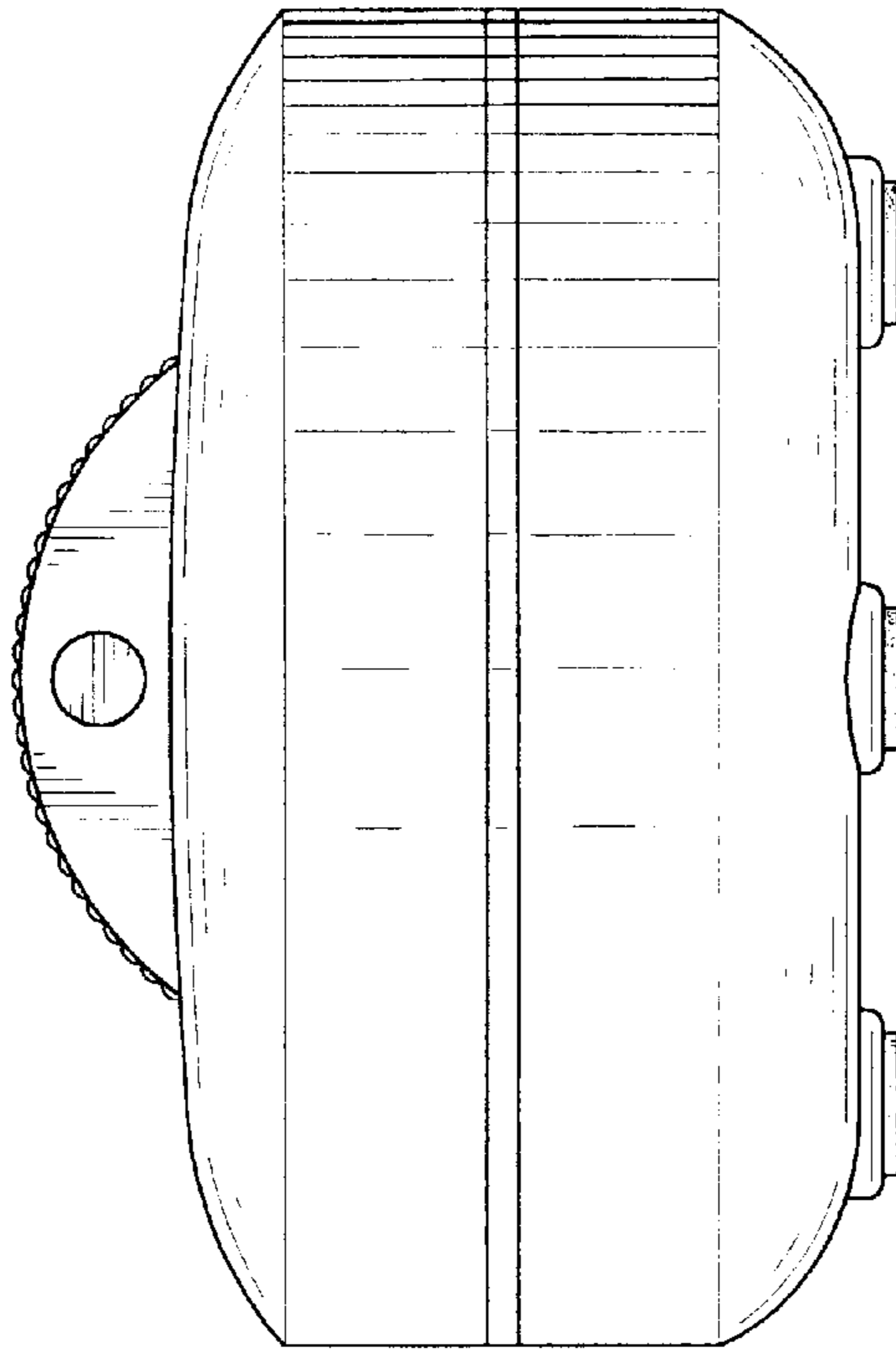


FIG.5

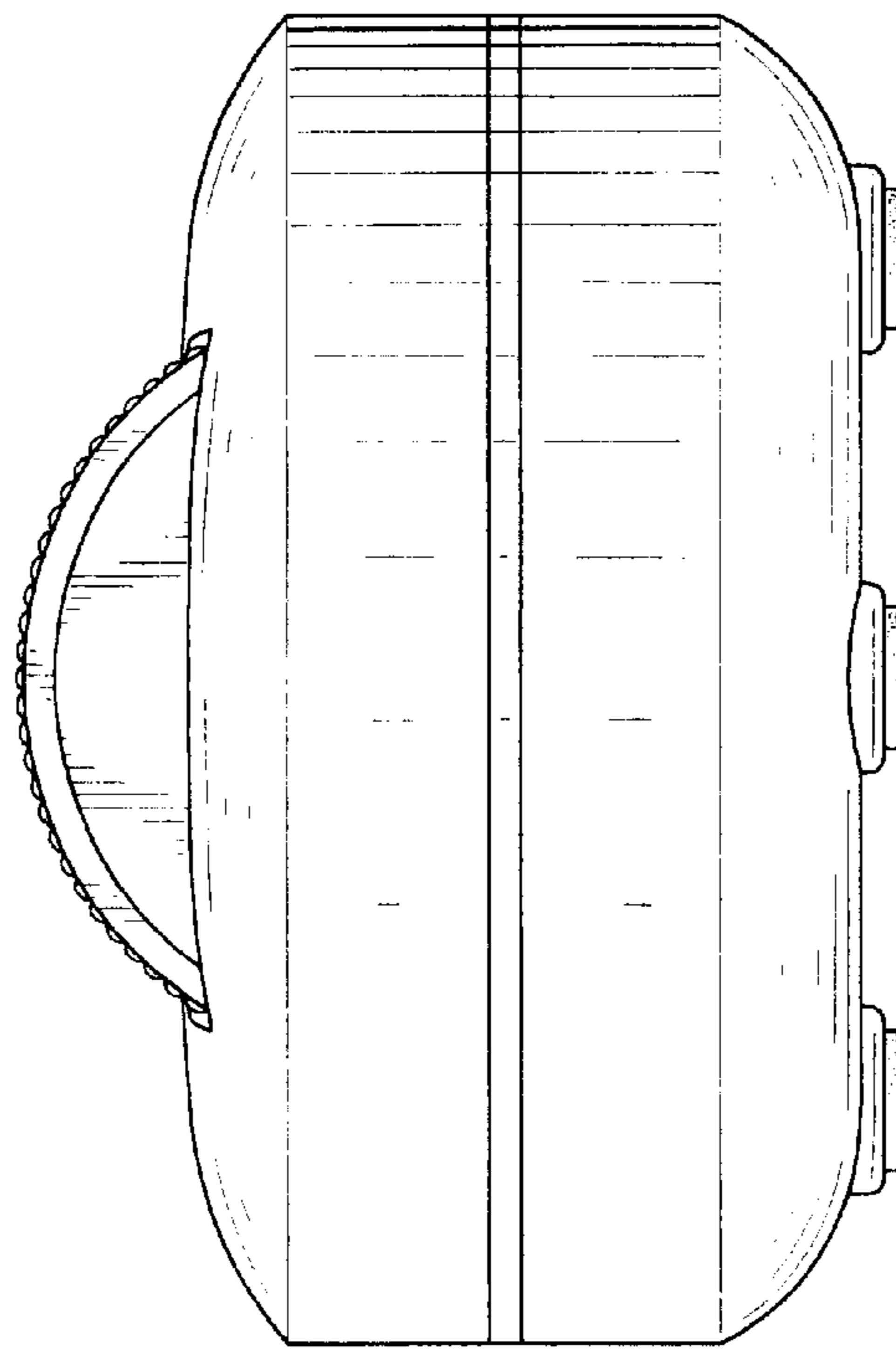


FIG.4

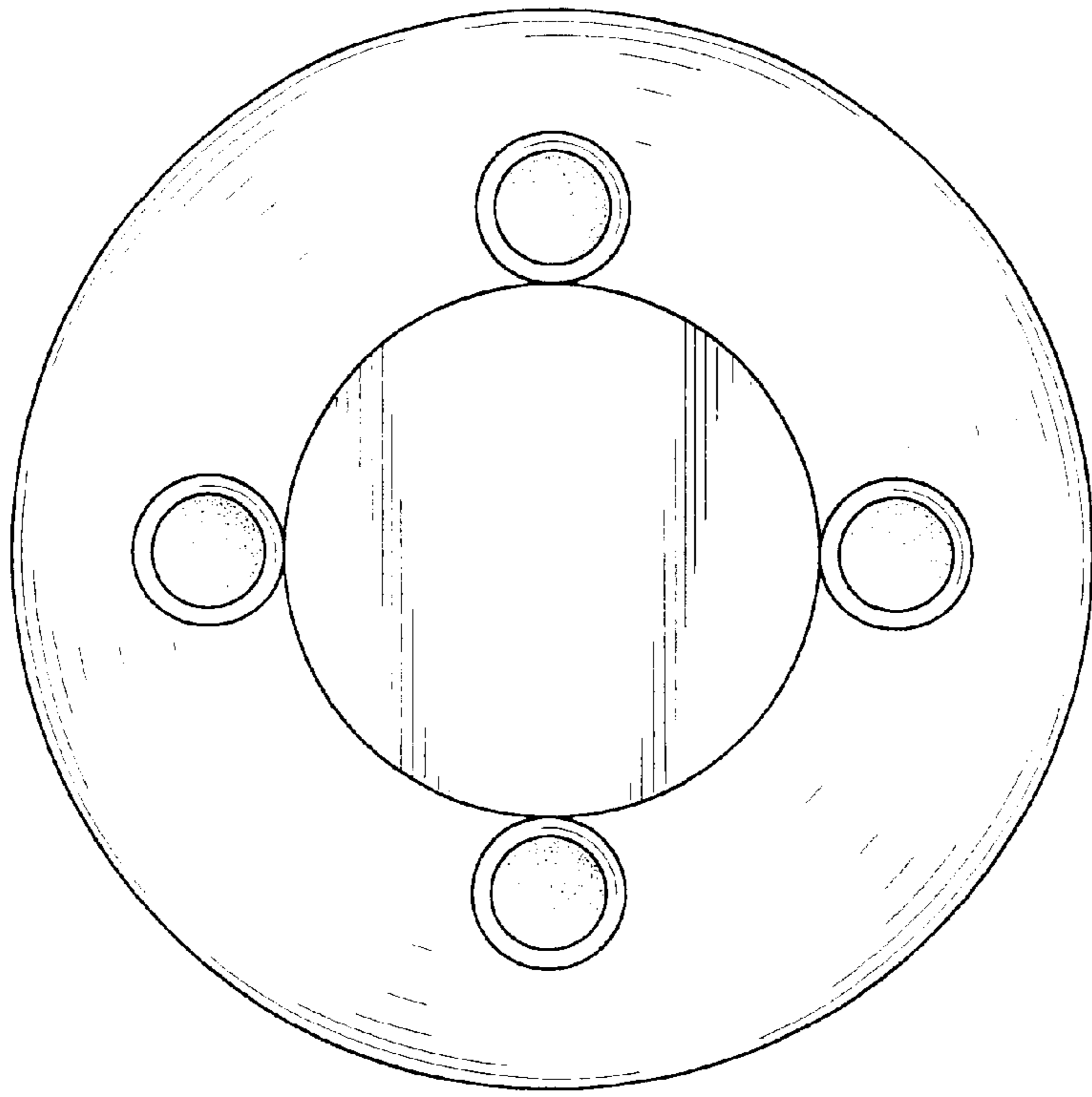


FIG. 7

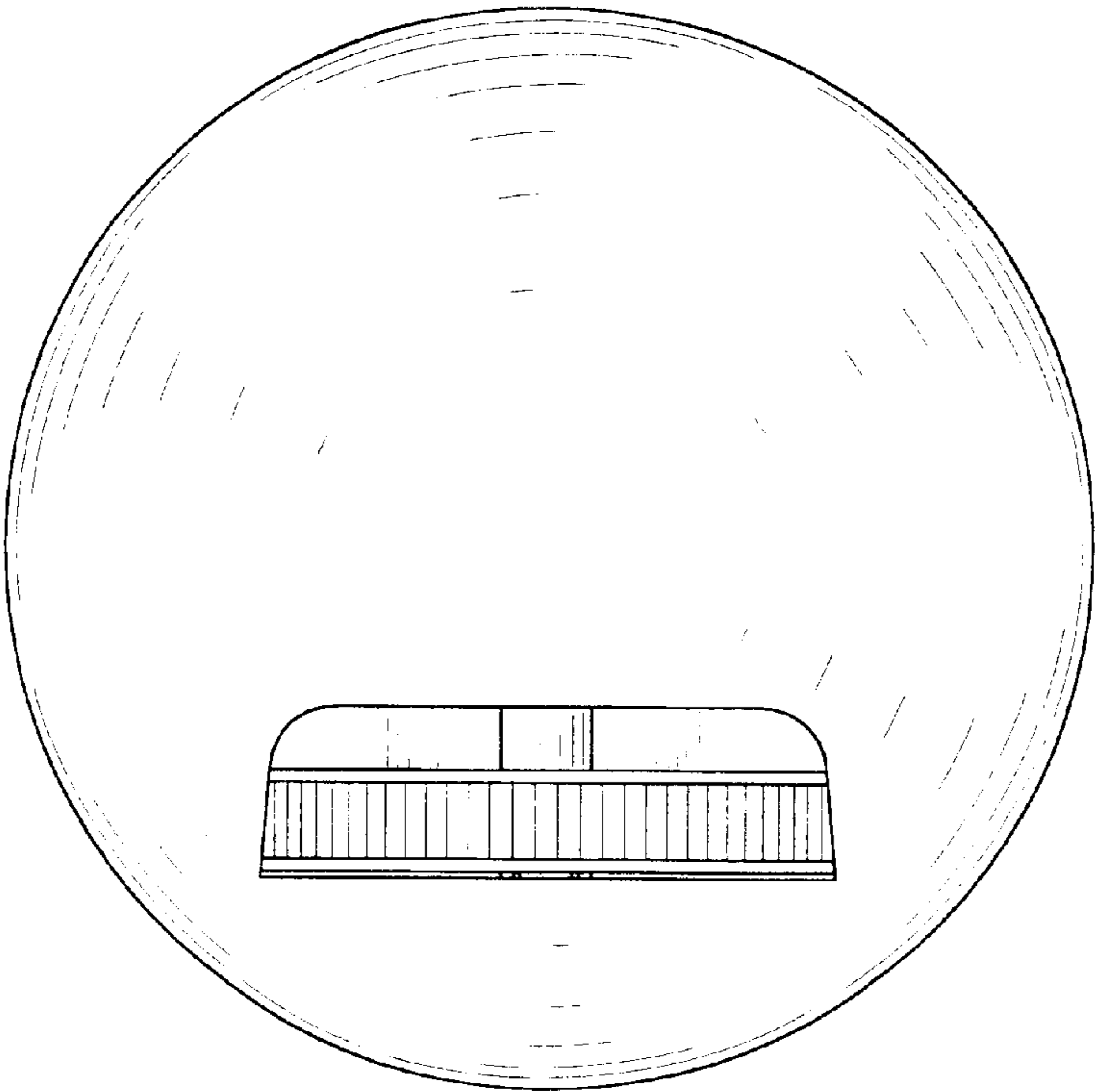


FIG. 6

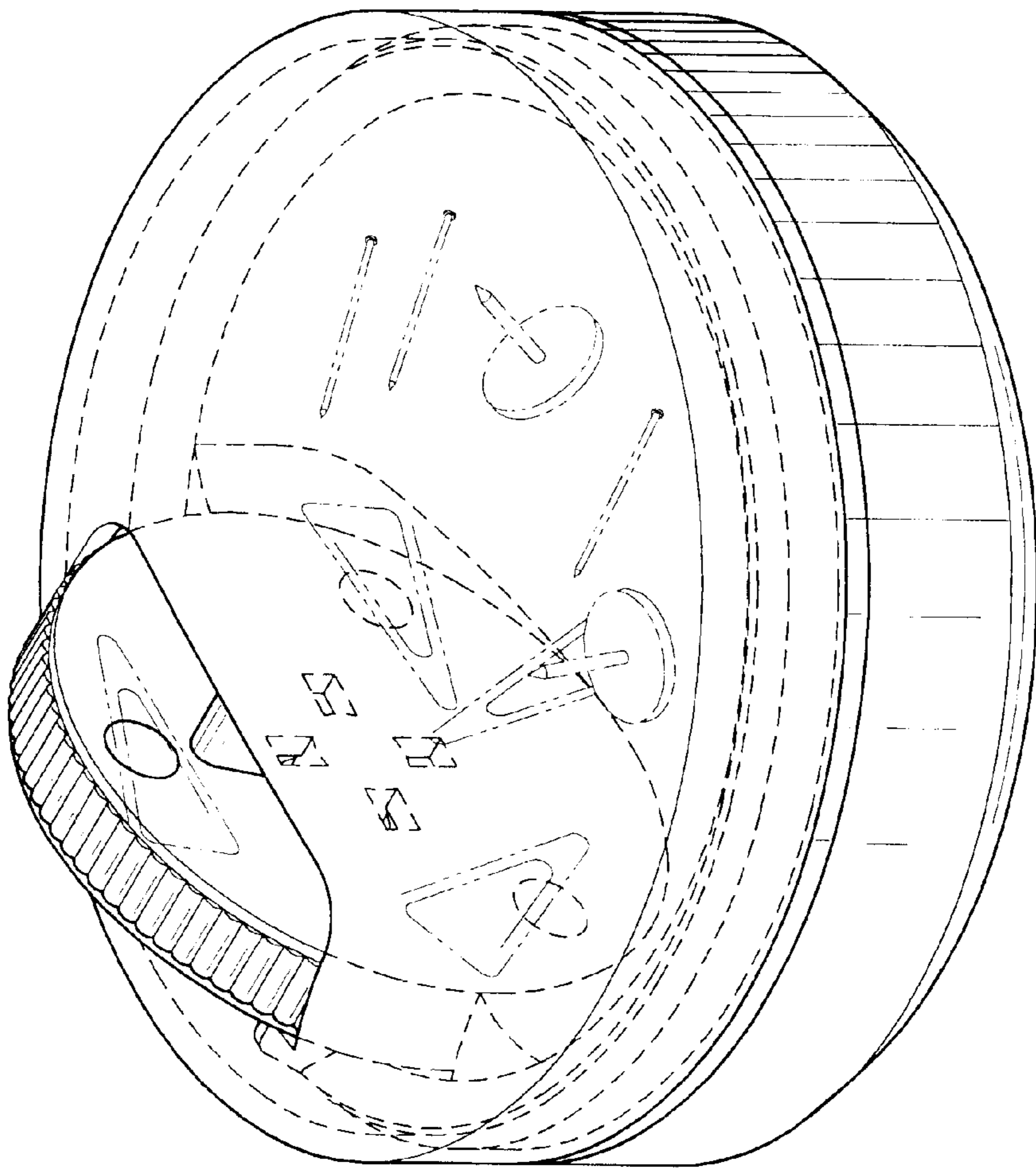


FIG. 8