



US00D478618S

(12) **United States Design Patent**
Obara

(10) **Patent No.:** **US D478,618 S**

(45) **Date of Patent:** **** Aug. 19, 2003**

(54) **PRINTER FOR A COMPUTER**
(75) Inventor: **Hiroshi Obara**, Kanagawa (JP)
(73) Assignee: **Ricoh Company, LTD**, Tokyo (JP)
(**) Term: **14 Years**

D378,927 S * 4/1997 Kasahara et al. D18/50
D388,405 S * 12/1997 Lin D18/50
D411,228 S * 6/1999 Kobayashi et al. D18/50
D422,570 S * 4/2000 Kobayashi D18/54
D434,436 S * 11/2000 Fetherolf D18/55
D451,950 S * 12/2001 Ohashi D18/50
D466,921 S * 12/2002 Senshiki D18/54

(21) Appl. No.: **29/161,838**
(22) Filed: **Jun. 6, 2002**
(30) **Foreign Application Priority Data**
Dec. 7, 2001 (JP) 2001-036094
(51) **LOC (7) Cl.** **18-02**
(52) **U.S. Cl.** **D18/54**
(58) **Field of Search** D18/36-39, 50,
D18/54-55; D14/462-470; 400/613, 613.1-613.4,
691-694, 690.1-690.4

* cited by examiner

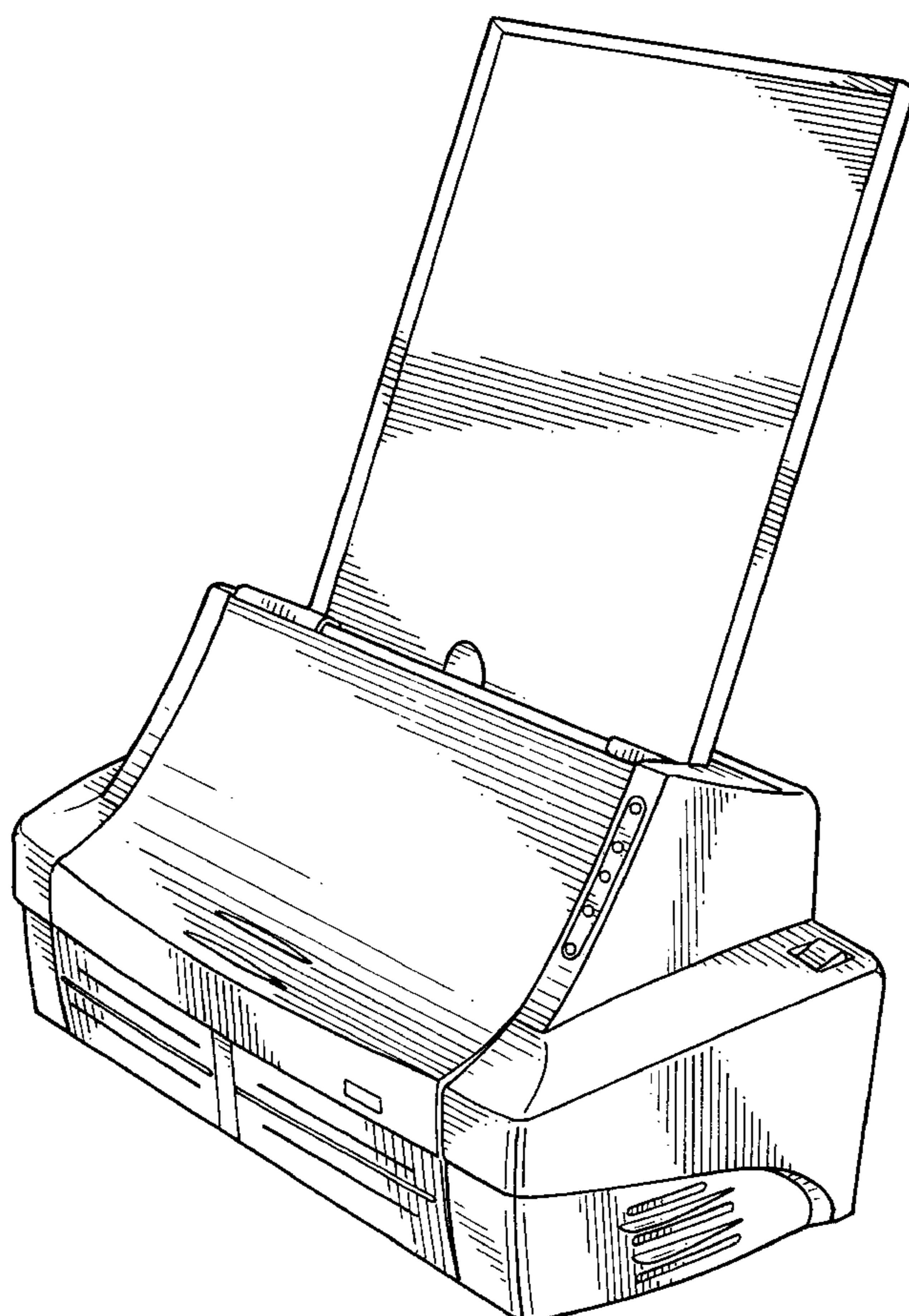
Primary Examiner—Cathy Anne MacCormac
(74) *Attorney, Agent, or Firm*—Dickstein Shapiro Morin
Oshinsky LLP

(56) **References Cited**
U.S. PATENT DOCUMENTS
3,375,781 A * 4/1968 Grimm et al. D18/55
D301,485 S * 6/1989 Kato et al. D18/55
D303,984 S * 10/1989 Tsukada D18/55
D370,025 S * 5/1996 Weng D18/50

(57) **CLAIM**
The ornamental design for the printer for a computer.

DESCRIPTION
FIG. 1 is a front elevation of a printer for a computer showing my new design;
FIG. 2 is a rear elevation thereof;
FIG. 3 is a right side elevation thereof;
FIG. 4 is a left side elevation thereof; and
FIG. 5 is a top plan view thereof;
FIG. 6 is a bottom plan view thereof; and,
FIG. 7 is a top, front and right side perspective view thereof.

1 Claim, 7 Drawing Sheets



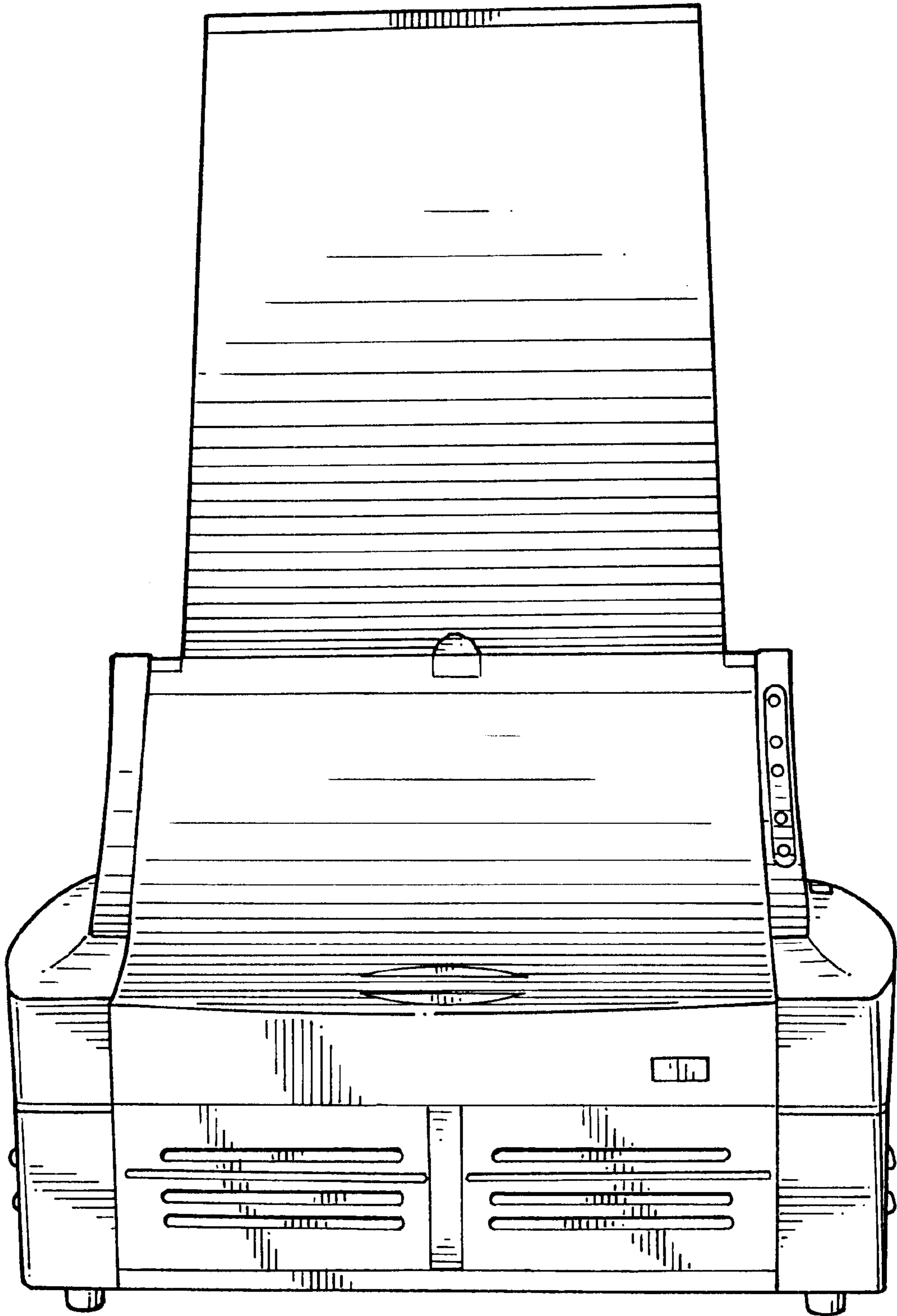


FIG. 1

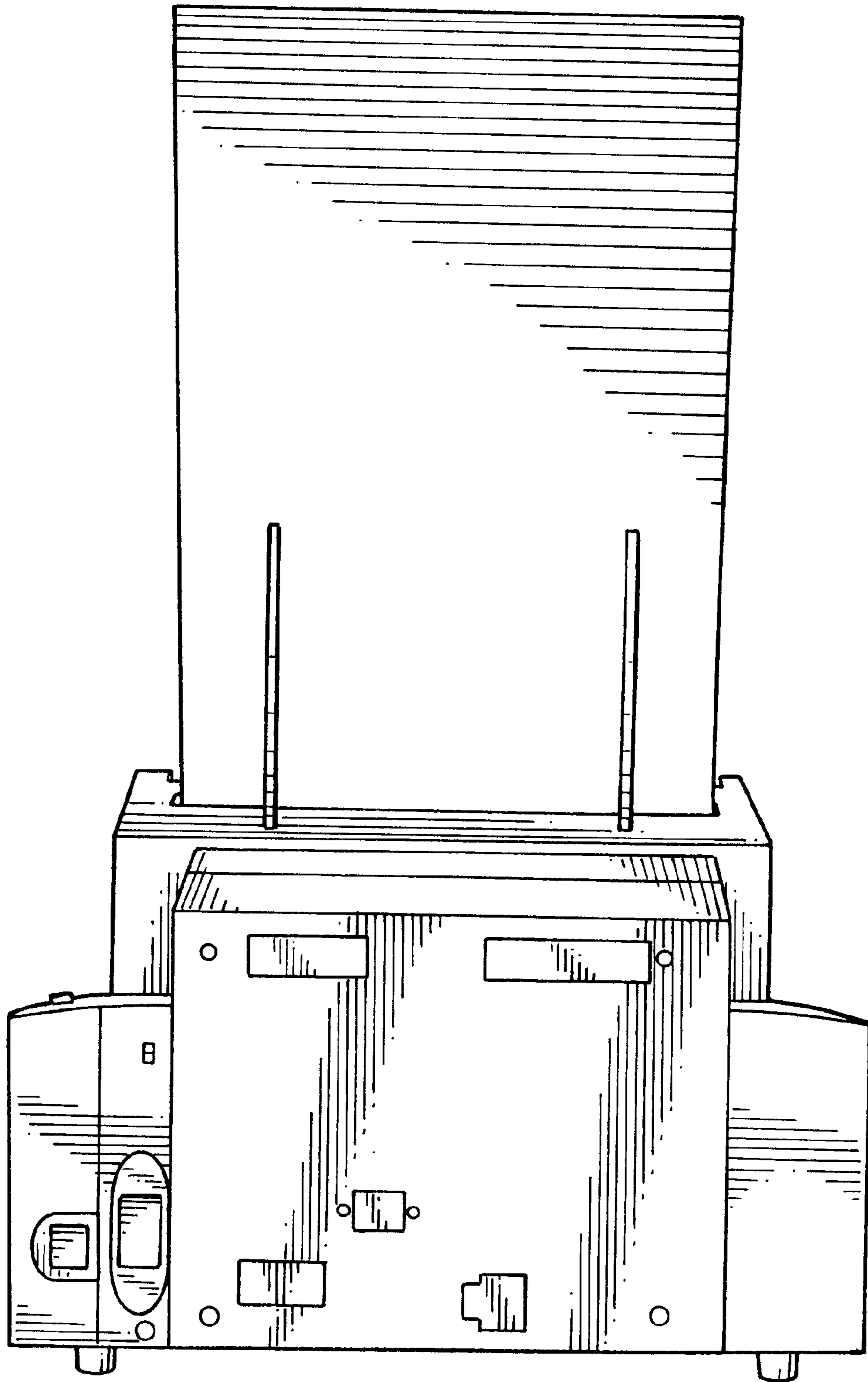


FIG. 2

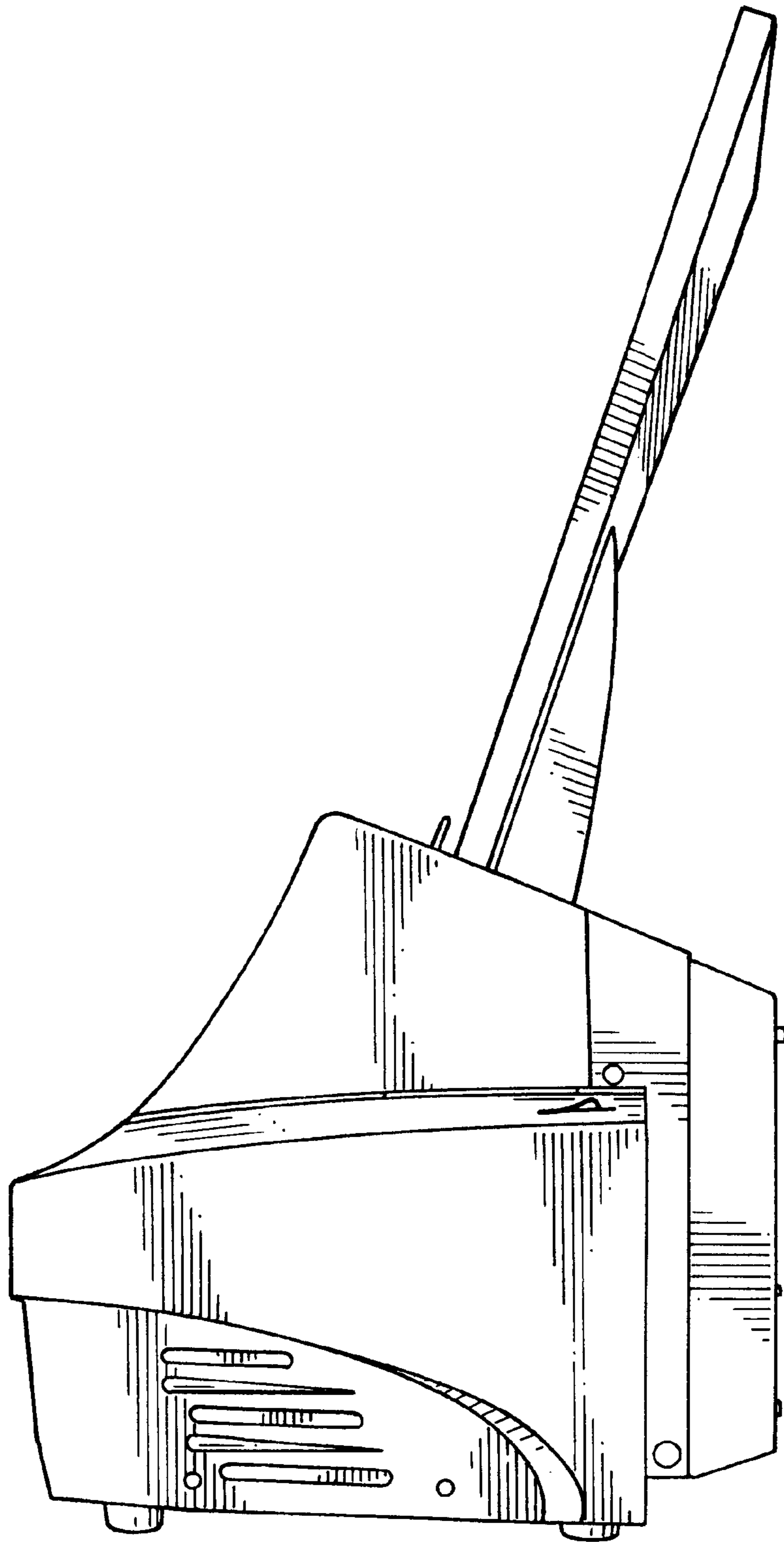


FIG. 3

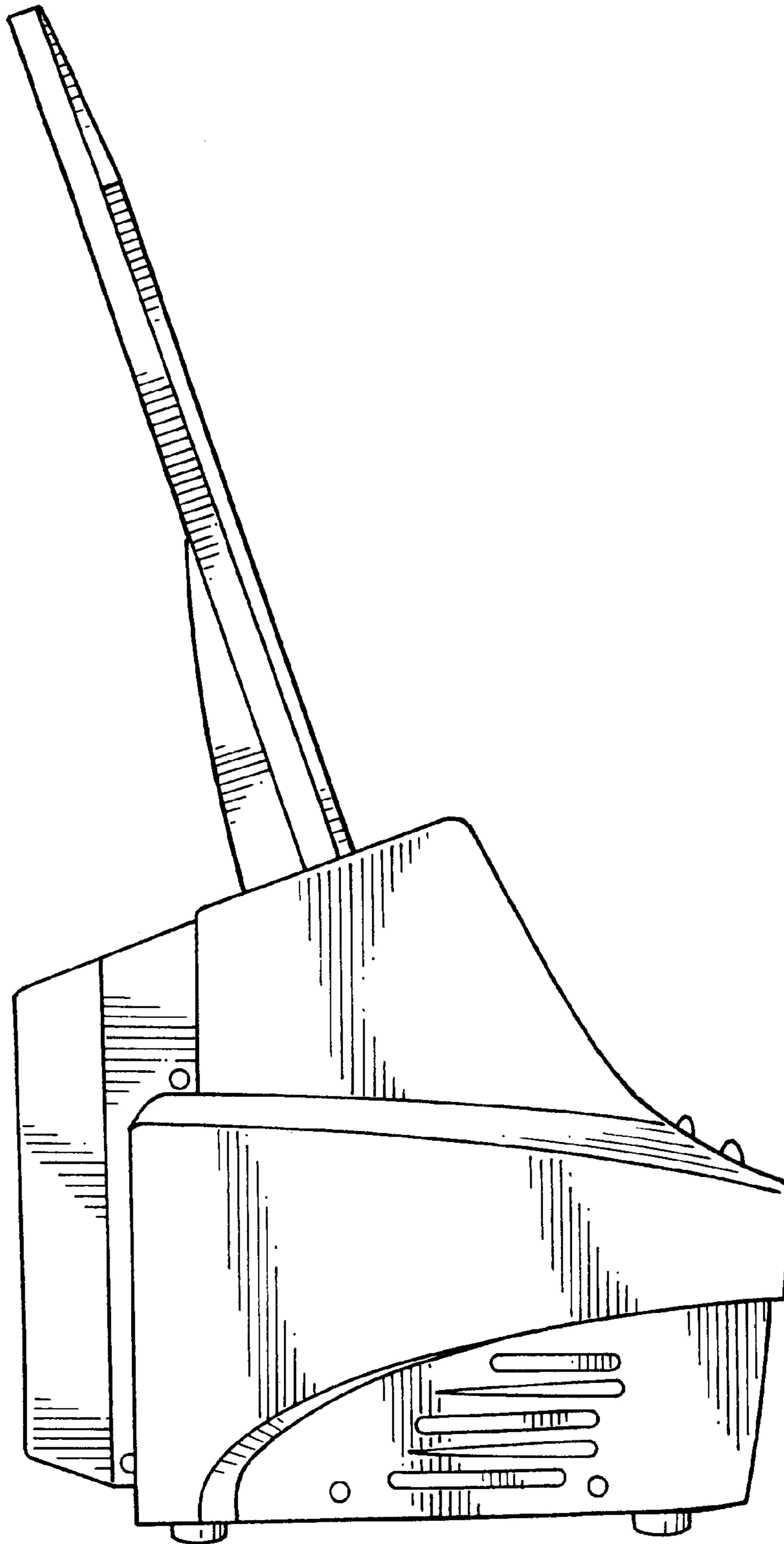


FIG. 4

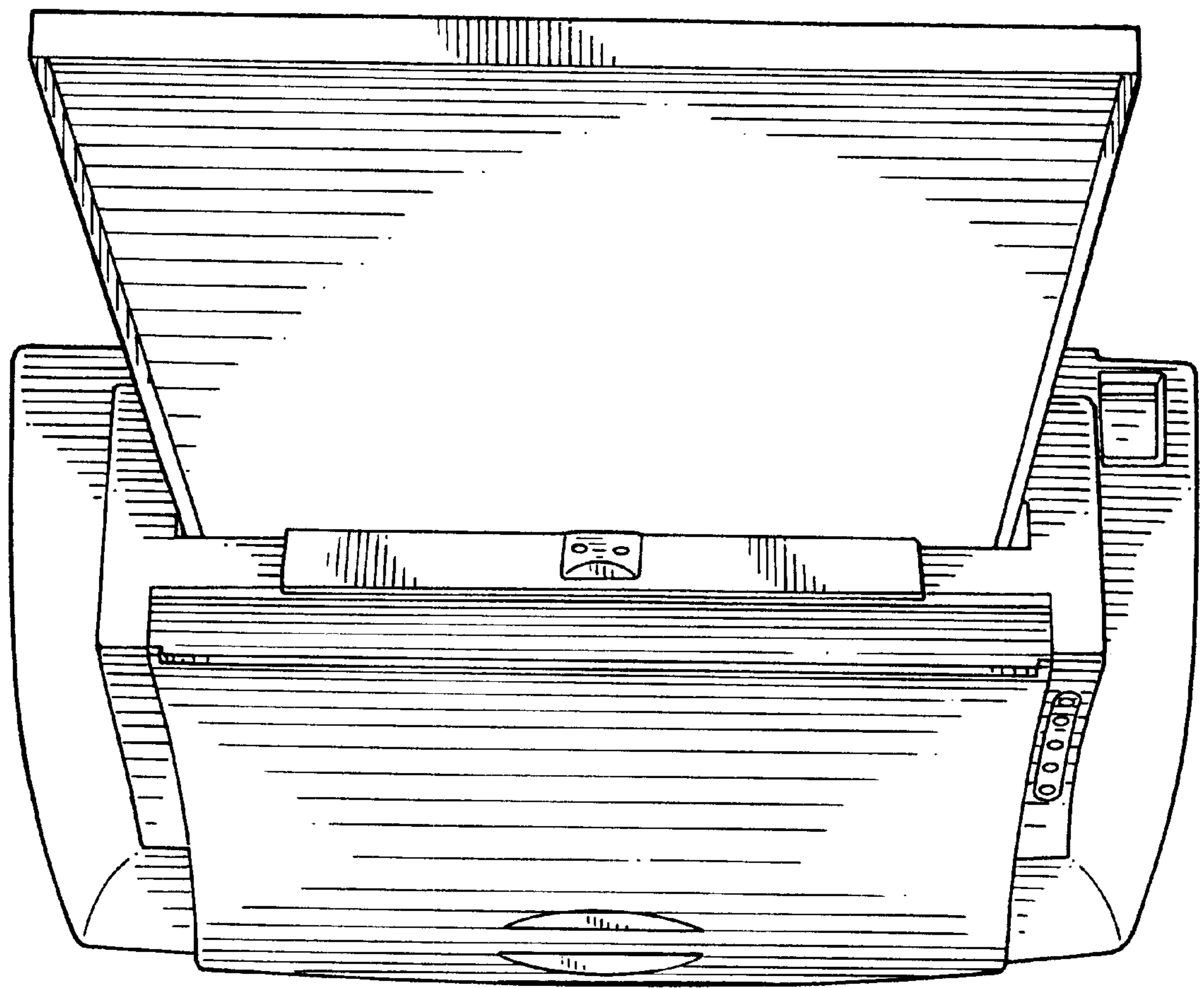


FIG. 5

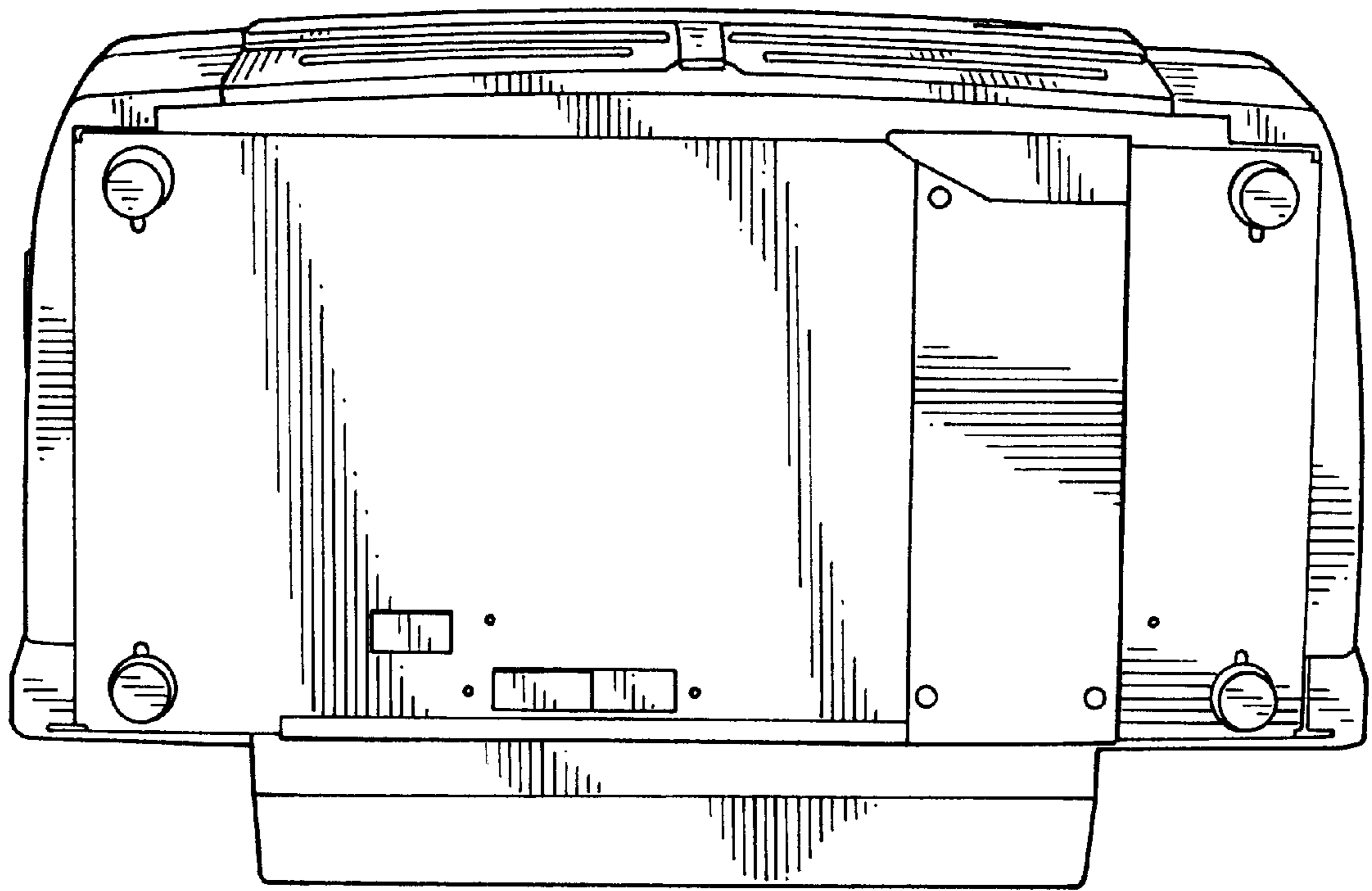


FIG. 6

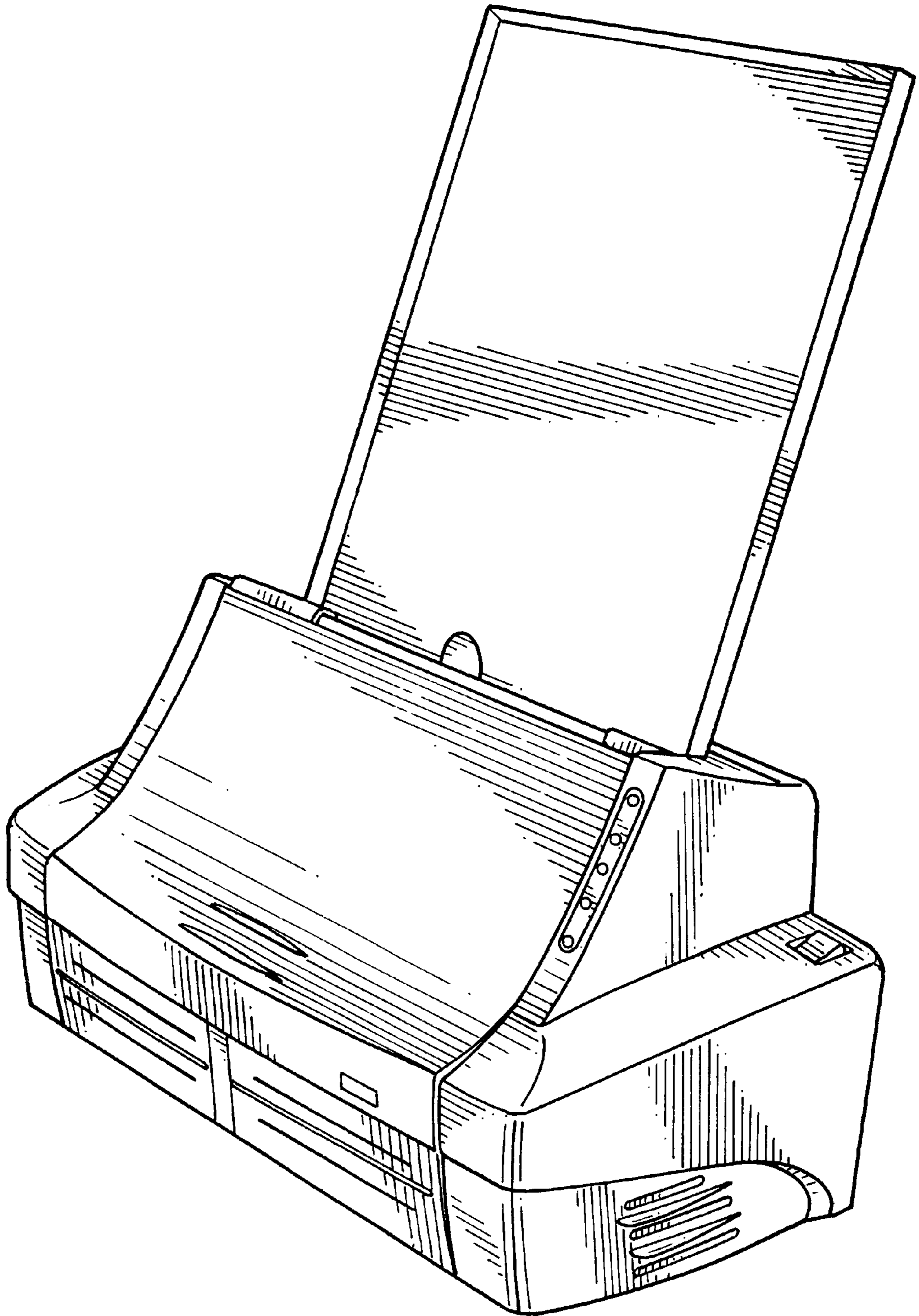


FIG. 7