



US00D478617S

(12) **United States Design Patent**
Kinoshita et al.

(10) **Patent No.:** **US D478,617 S**

(45) **Date of Patent:** **** Aug. 19, 2003**

(54) **TONER CARTRIDGE**

(75) Inventors: **Hironobu Kinoshita**, Fukuoka (JP);
Naoki Yamaguchi, Fukuoka (JP);
Masakazu Aoki, Fukuoka (JP)

(73) Assignee: **Matsushita Electric Industrial Co., Ltd.**, Osaka (JP)

(**) Term: **14 Years**

(21) Appl. No.: **29/171,295**

(22) Filed: **Nov. 20, 2002**

(51) **LOC (7) Cl.** **16-03**

(52) **U.S. Cl.** **D18/43**

(58) **Field of Search** D18/40, 43, 56;
399/1-3, 24-33, 110-117, 119-123, 126,
134, 167, 252-262; 222/DIG. 1

(56) **References Cited**

U.S. PATENT DOCUMENTS

D289,300 S	*	4/1987	Saito	D18/43
D333,833 S	*	3/1993	Yamamoto et al.	D18/43
D346,179 S	*	4/1994	Haida	D18/56
D418,156 S	*	12/1999	Maeda	D18/43
D450,752 S	*	11/2001	Ito et al.	D18/43
D451,539 S	*	12/2001	Ito et al.	D18/43

FOREIGN PATENT DOCUMENTS

JP	1064445	3/2000
JP	1126352	11/2001
JP	1144950	6/2002

* cited by examiner

Primary Examiner—Caron D. Veynar

(74) *Attorney, Agent, or Firm*—Christensen O'Connor Johnson Kindness PLLC

(57) **CLAIM**

The ornamental design for a toner cartridge, as shown and described.

DESCRIPTION

FIG. 1 is a perspective view of the top, front and right side of a toner cartridge showing our new design;

FIG. 2 is a front view thereof;

FIG. 3 is a right side view thereof;

FIG. 4 is a left side view thereof;

FIG. 5 is a top plan view thereof;

FIG. 6 is a bottom view thereof;

FIG. 7 is a rear view thereof;

FIG. 8 is a perspective view of the top, front and right side of a toner cartridge showing our new design of second embodiment;

FIG. 9 is a front view thereof;

FIG. 10 is a right side view thereof;

FIG. 11 is a left side view thereof;

FIG. 12 is a top plan view thereof;

FIG. 13 is a bottom view thereof;

FIG. 14 is a rear view thereof;

FIG. 15 is a perspective view of the top, front and right side of a toner cartridge showing our new design of third embodiment;

FIG. 16 is a front view thereof;

FIG. 17 is a right side view thereof;

FIG. 18 is a left side view thereof;

FIG. 19 is a top plan view thereof;

FIG. 20 is a bottom view thereof;

FIG. 21 is a rear view thereof;

FIG. 22 is a perspective view of the top, front and right side of a toner cartridge showing our new design of fourth embodiment;

FIG. 23 is a front view thereof;

FIG. 24 is a right side view thereof;

FIG. 25 is a left side view thereof;

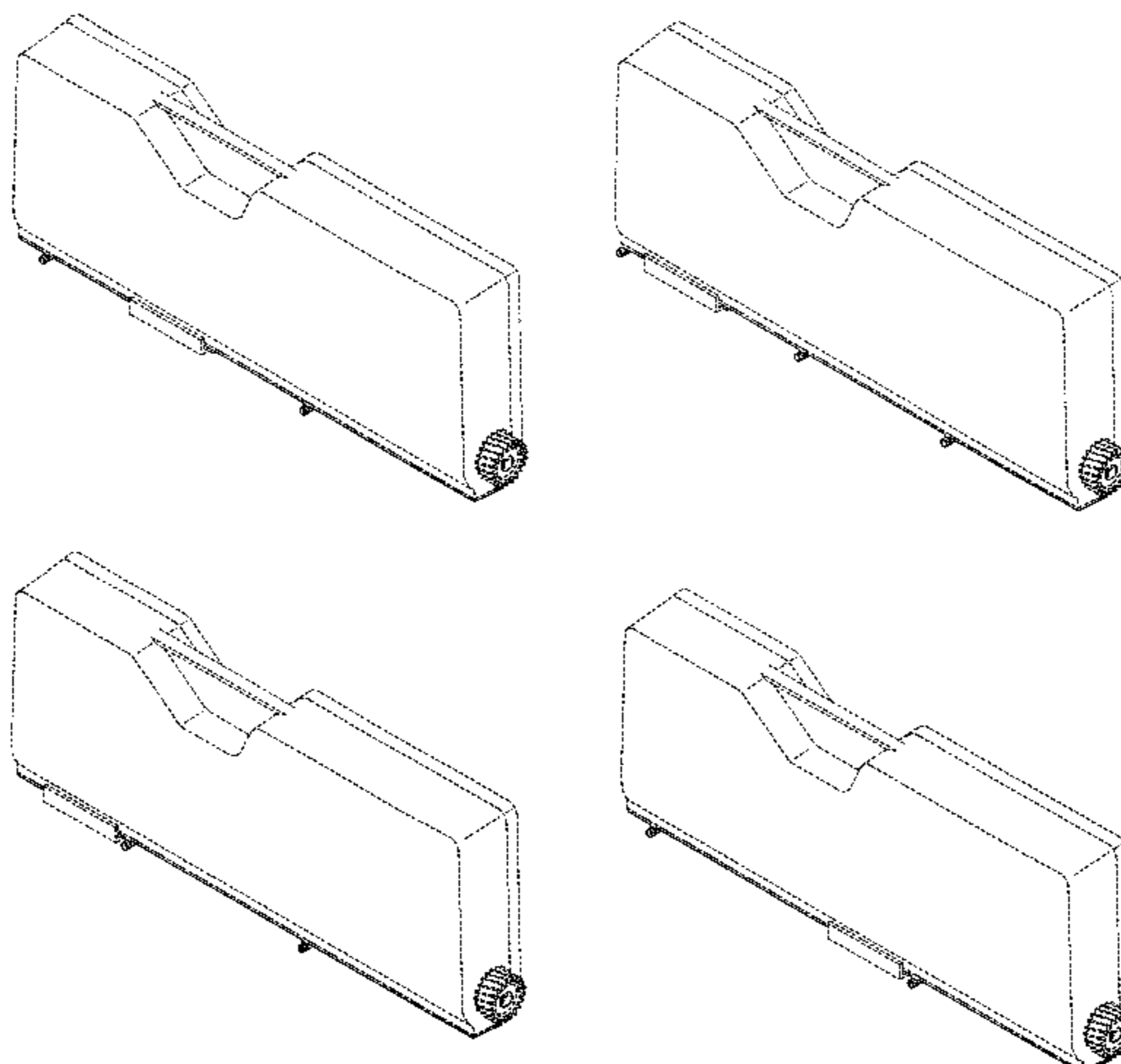
FIG. 26 is a top plan view thereof;

FIG. 27 is a bottom view thereof; and,

FIG. 28 is a rear view thereof.

The portions of the article in broken lines are shown for illustrative purposes only and form no part of the claimed design.

1 Claim, 12 Drawing Sheets



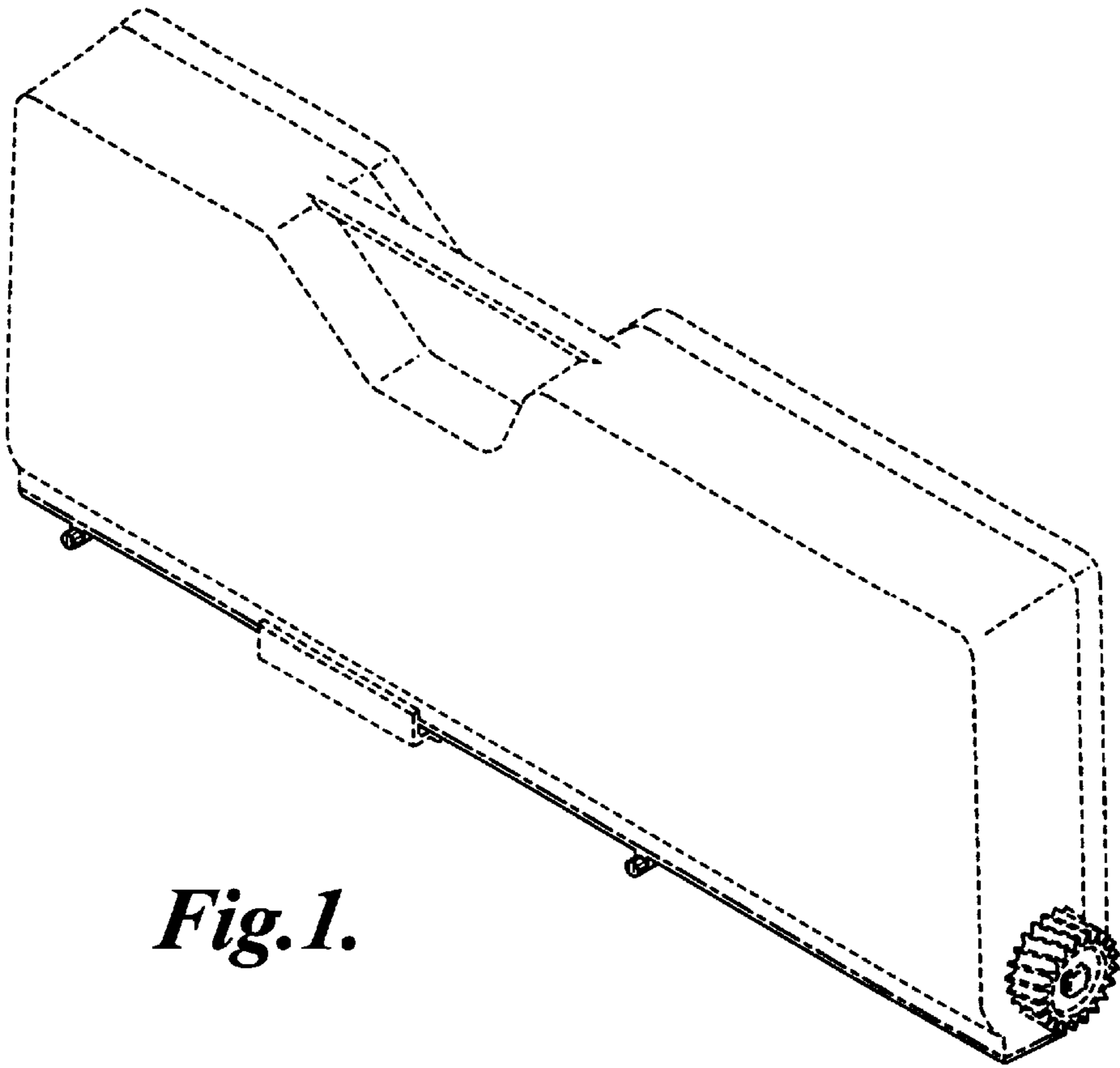


Fig. 1.

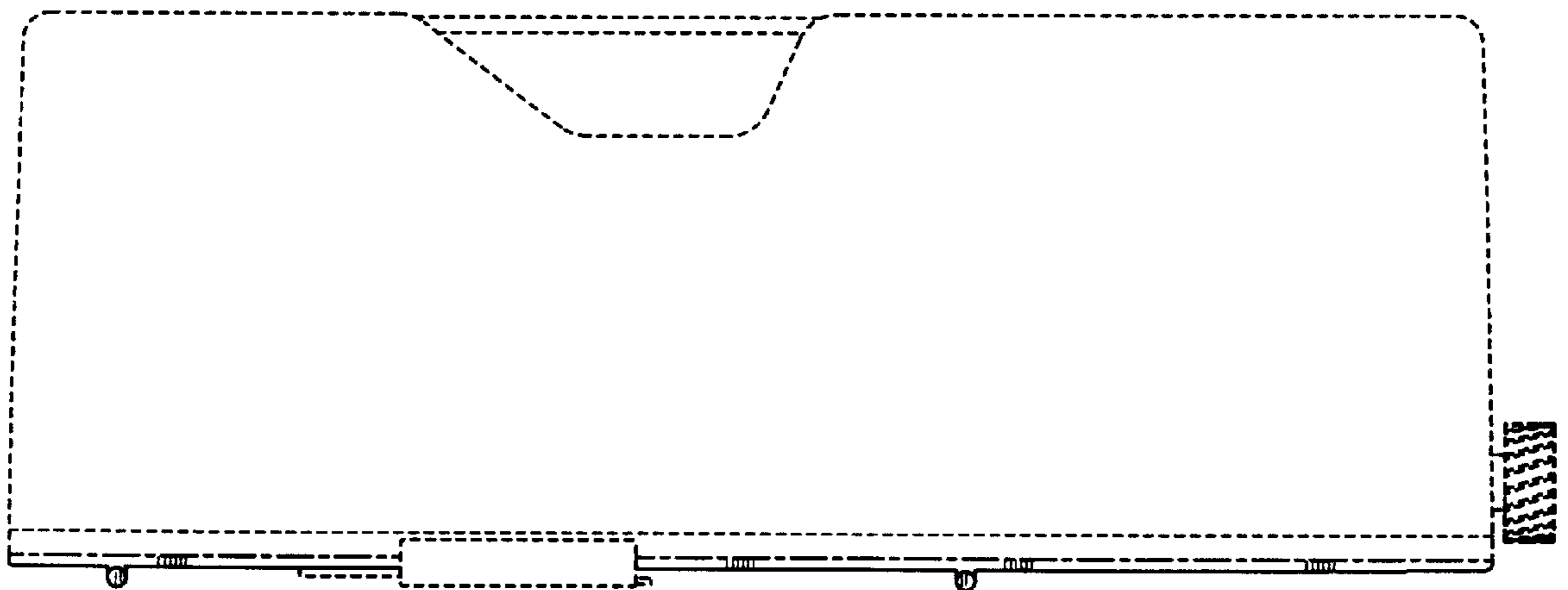


Fig. 2.

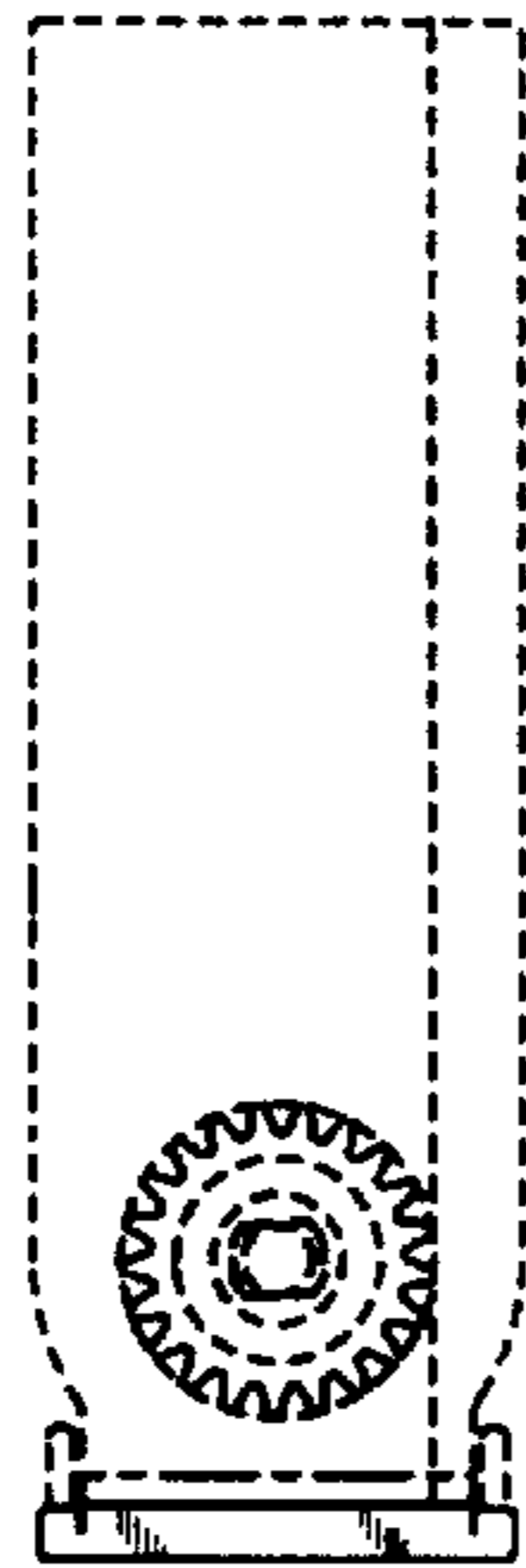


Fig. 3.

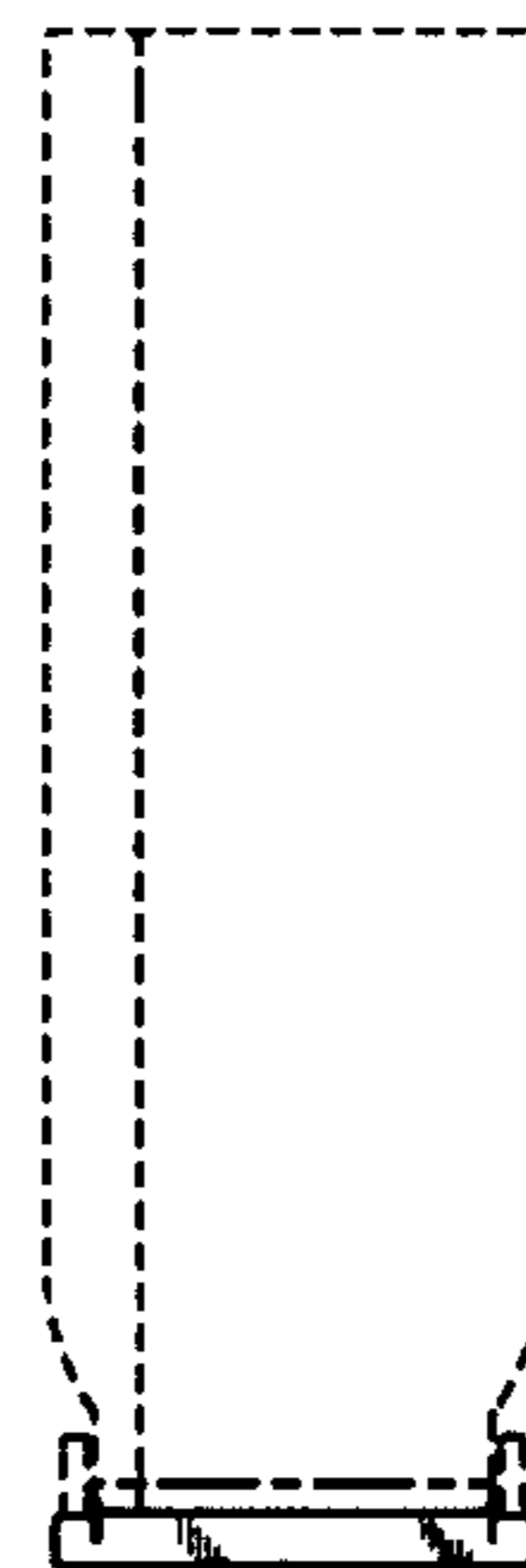


Fig. 4.

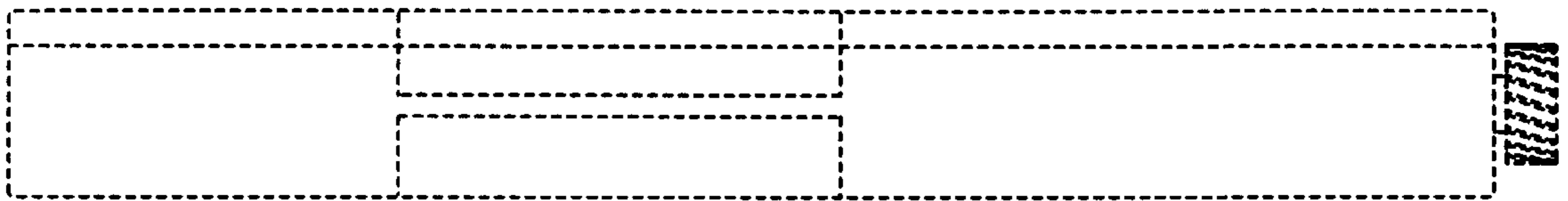


Fig. 5.



Fig. 6.

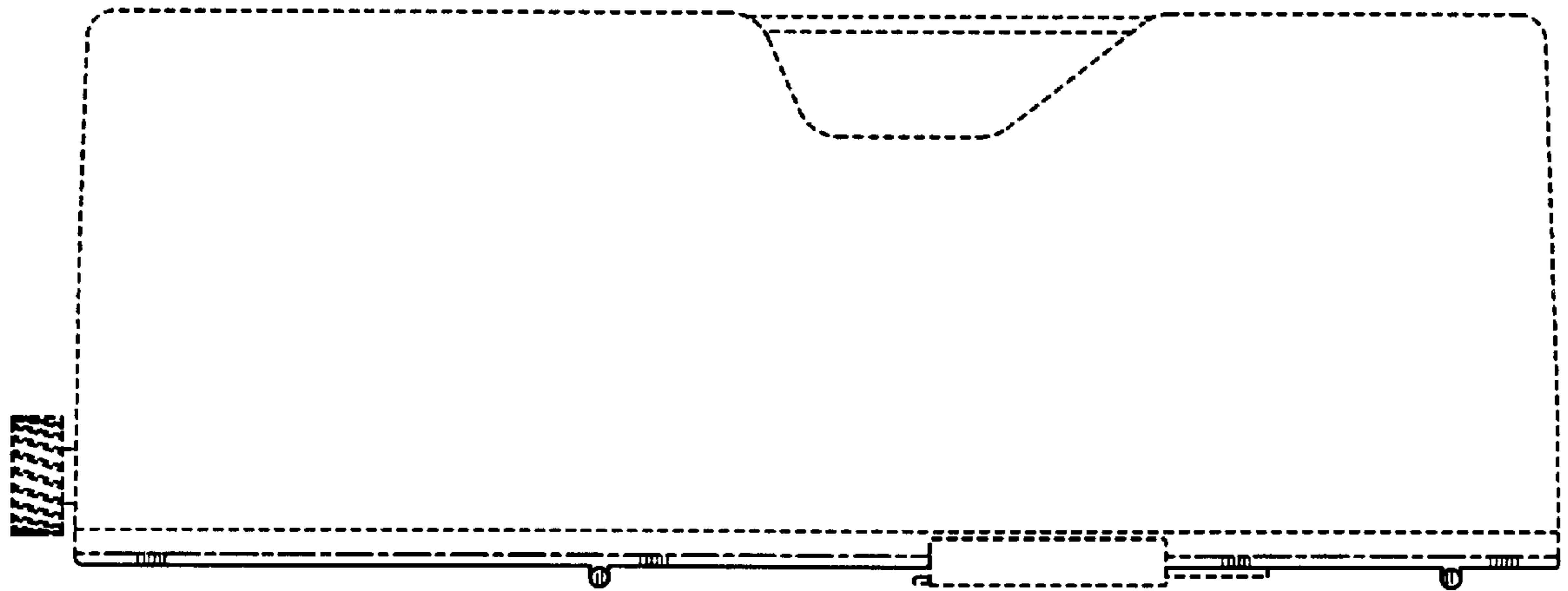


Fig. 7.

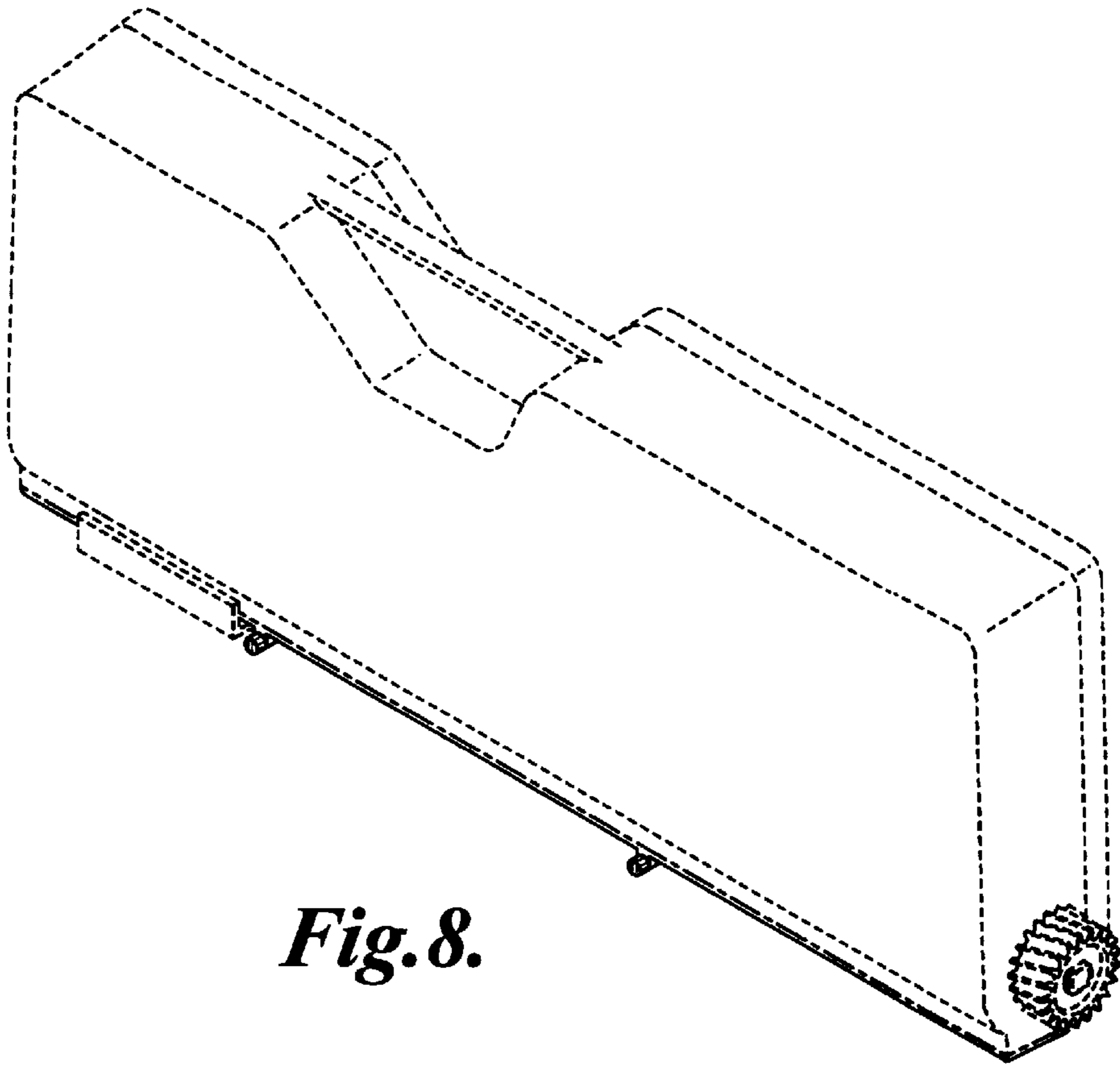


Fig. 8.

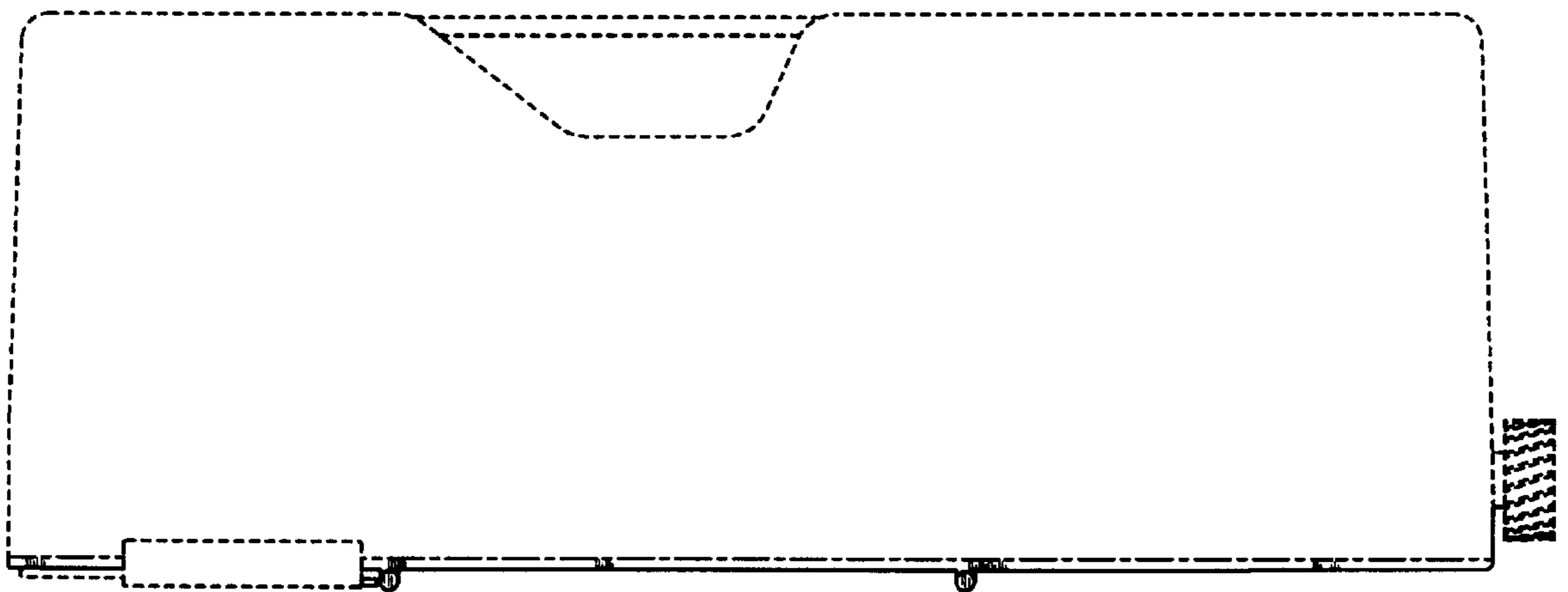


Fig. 9.

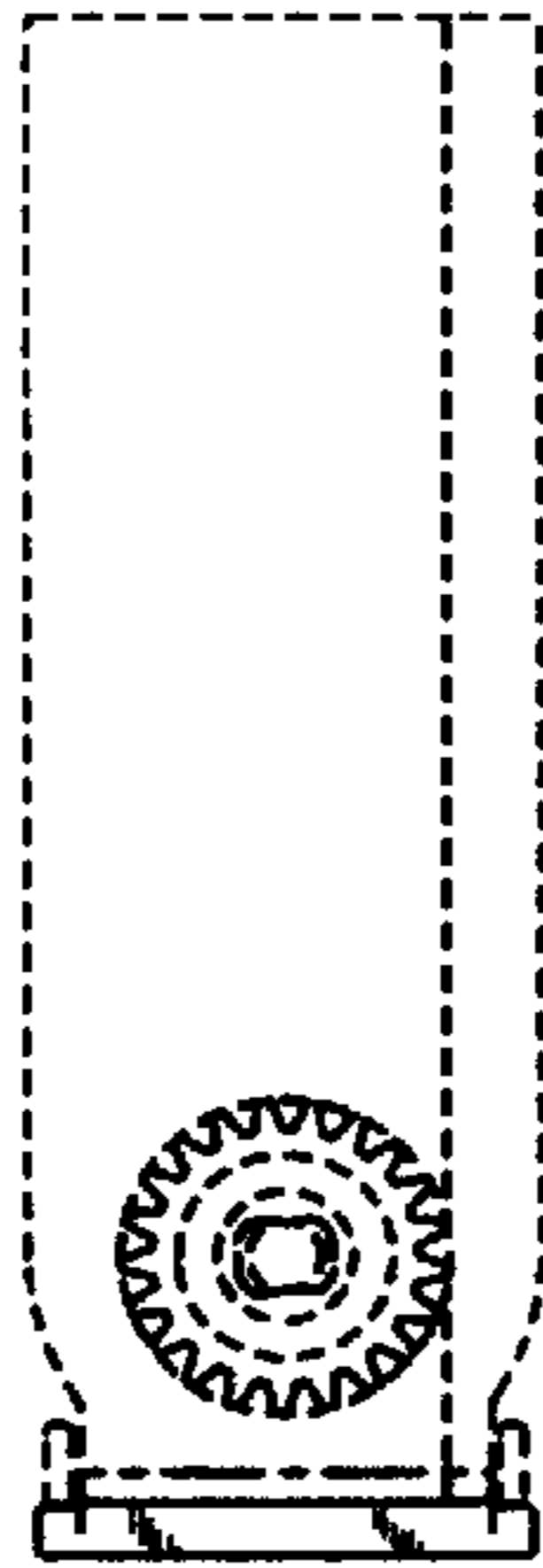


Fig. 10.

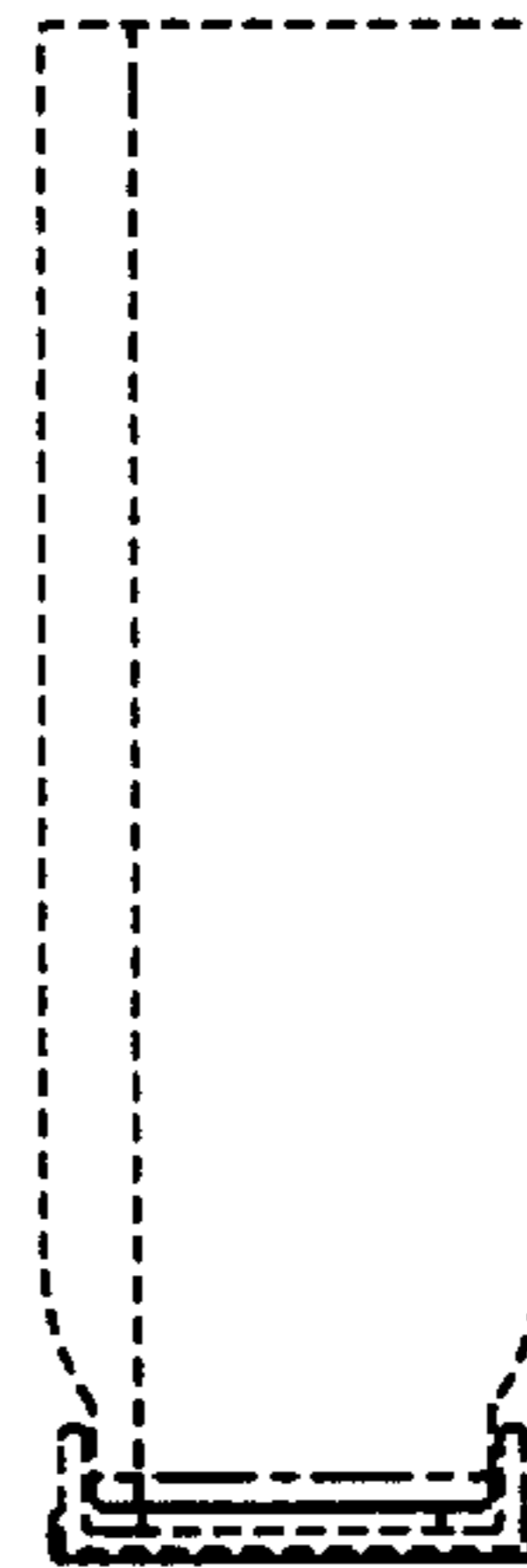


Fig. 11.

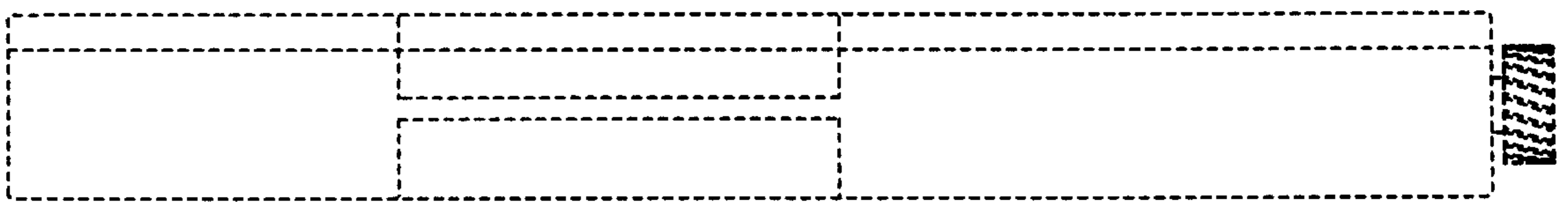


Fig. 12.



Fig. 13.

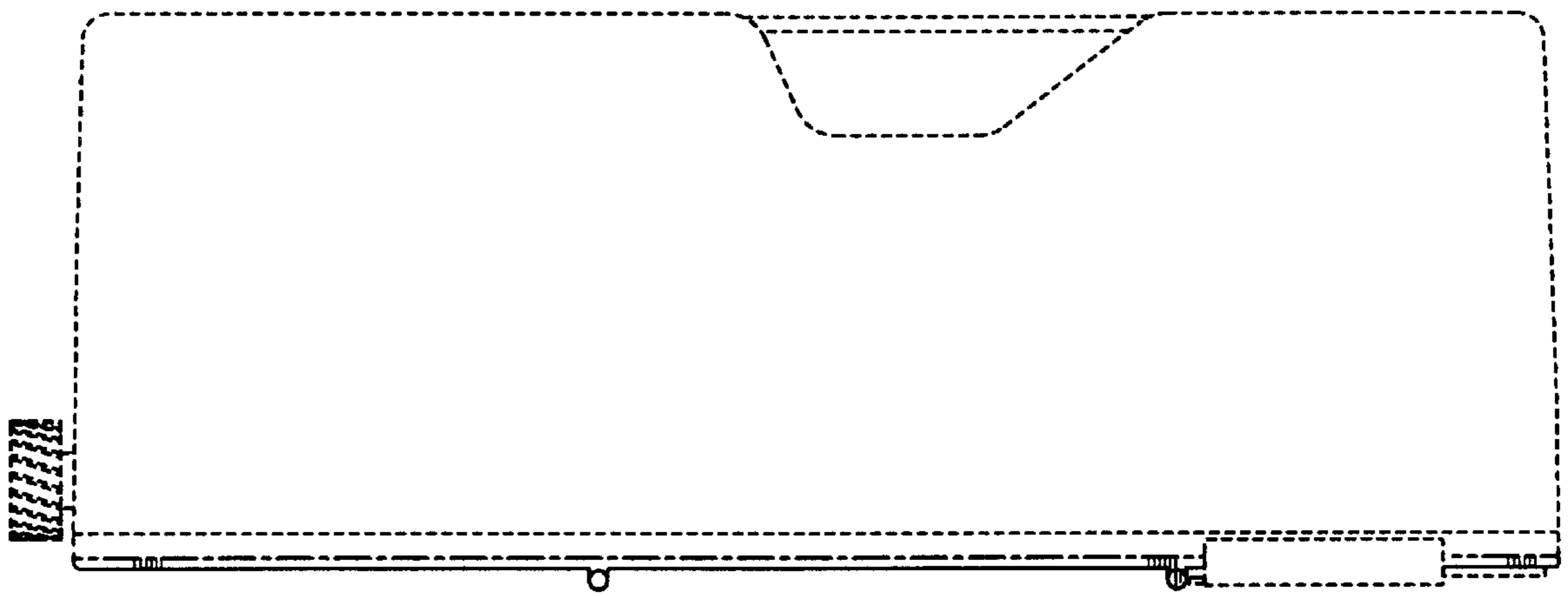


Fig.14.

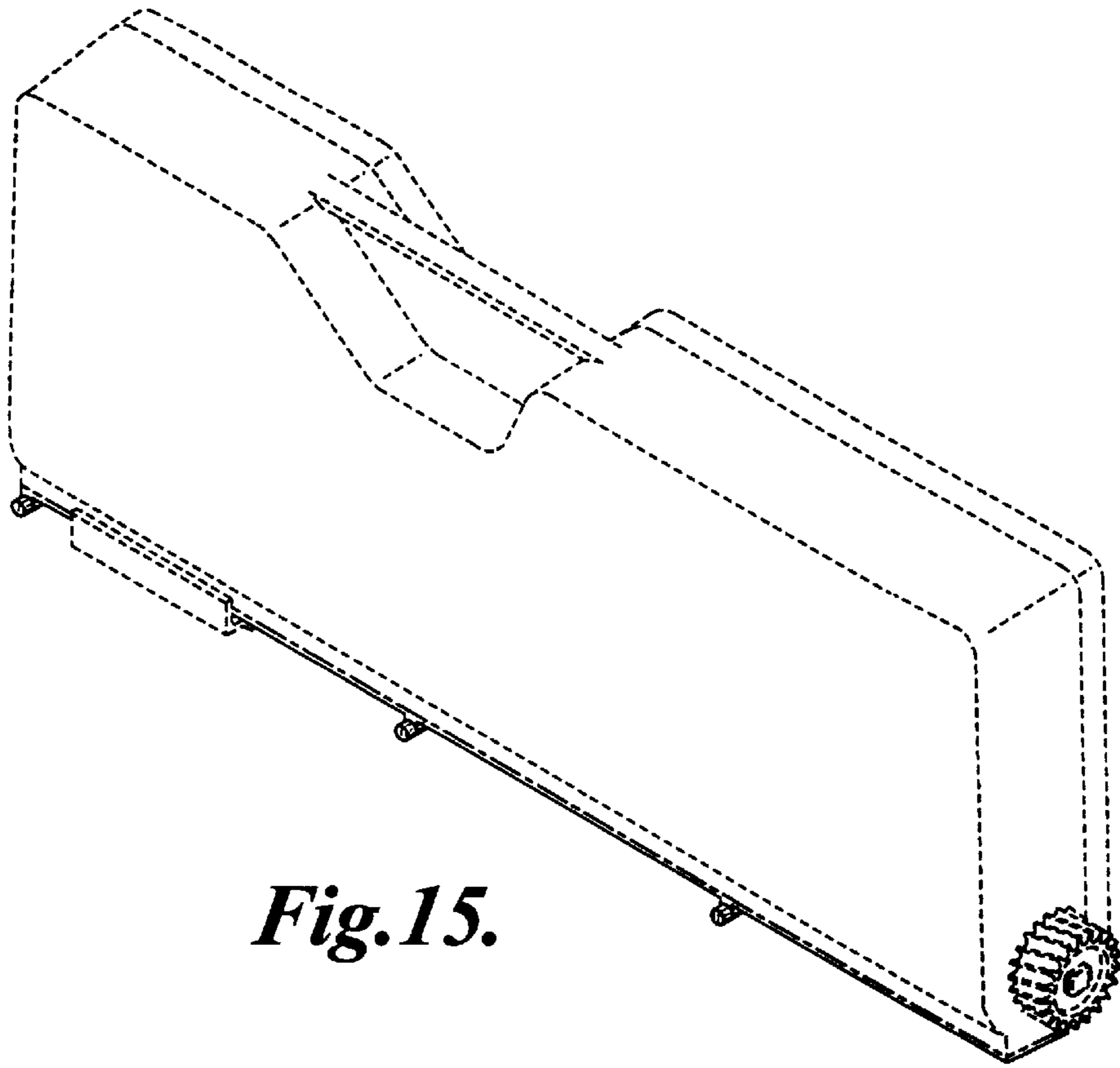


Fig.15.

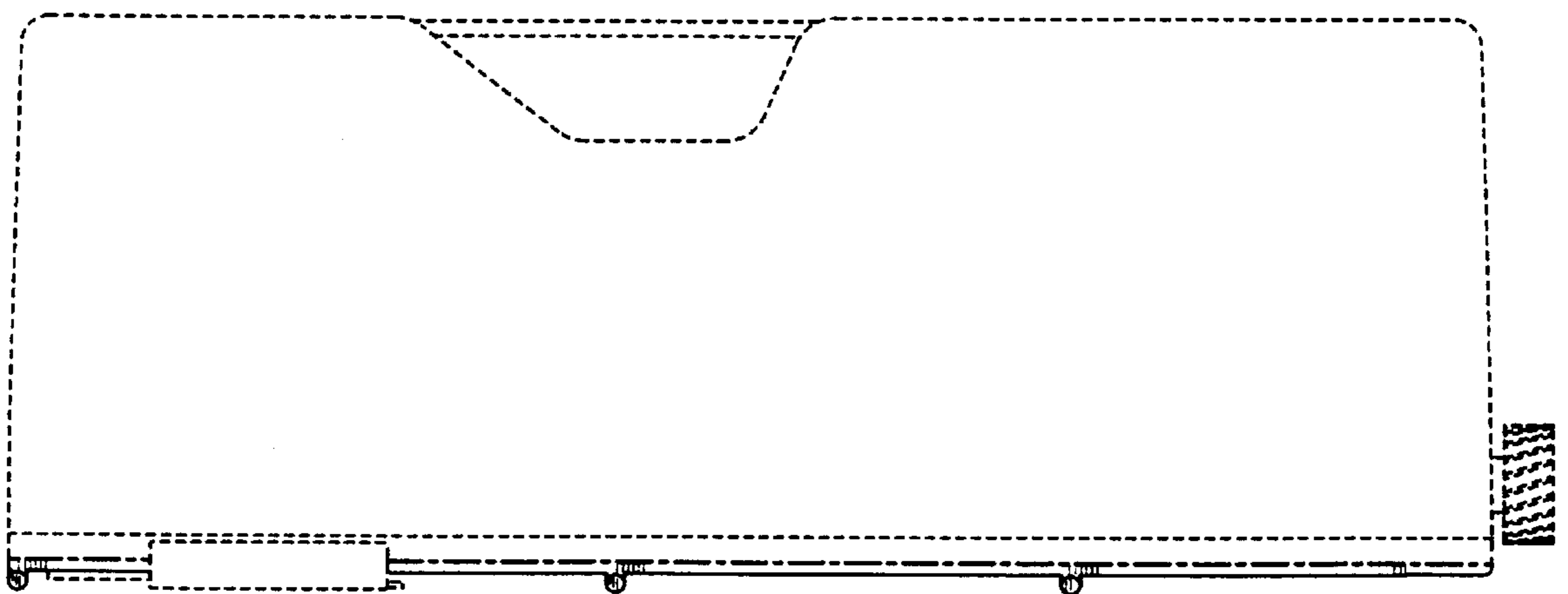


Fig.16.

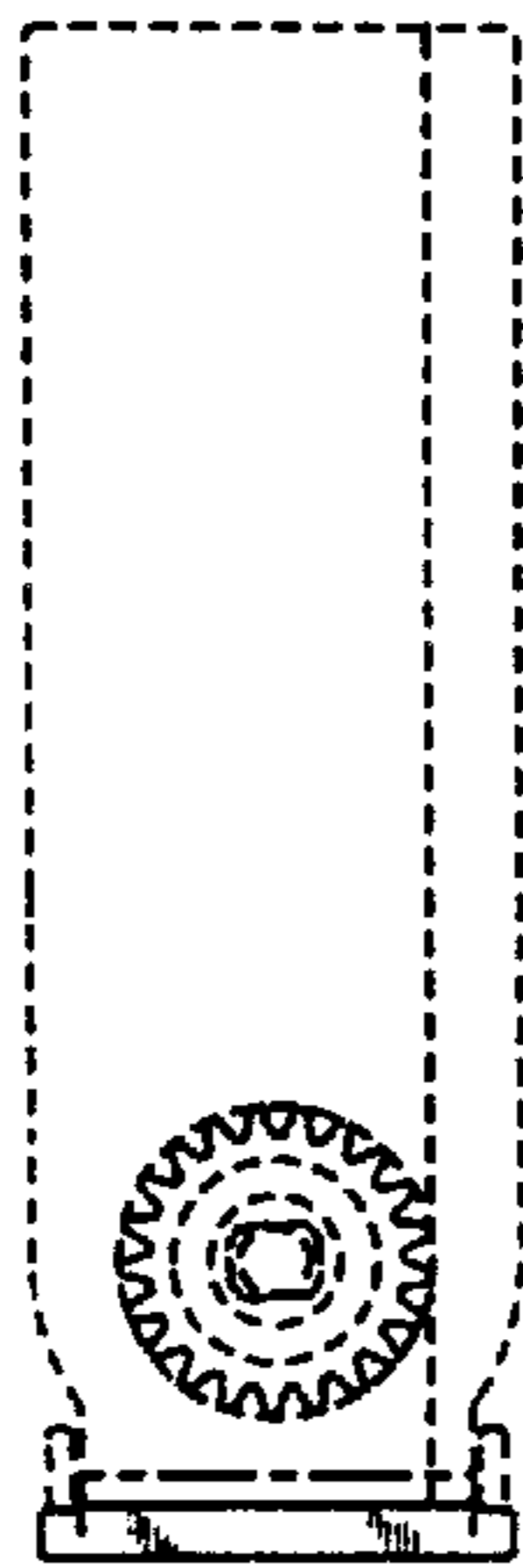


Fig. 17.

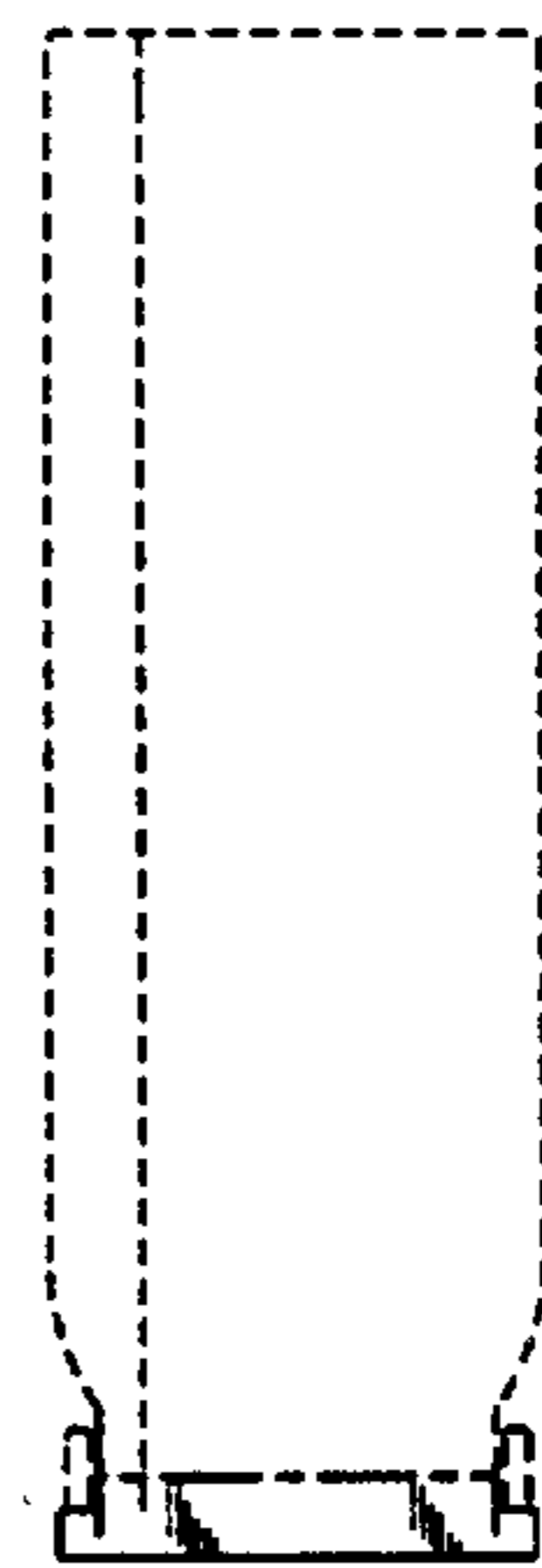


Fig. 18.

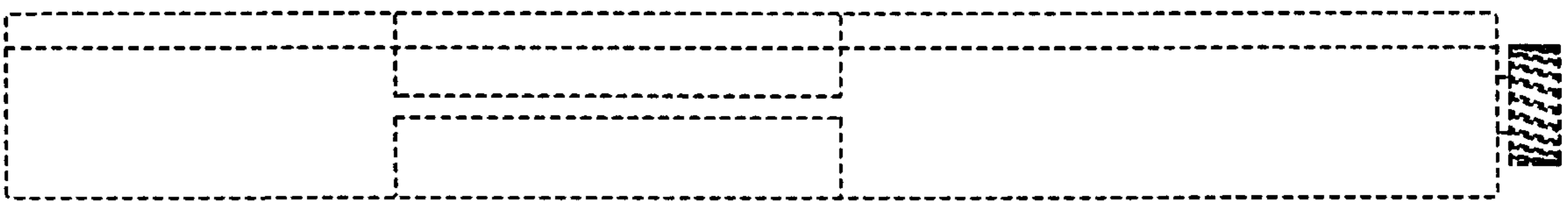


Fig. 19.

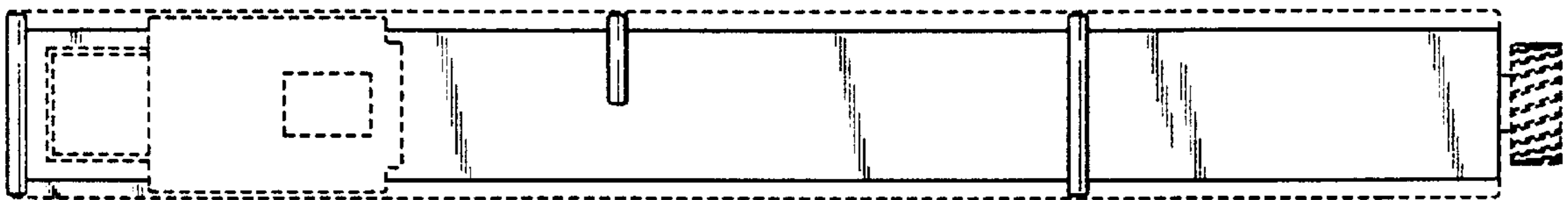


Fig. 20.

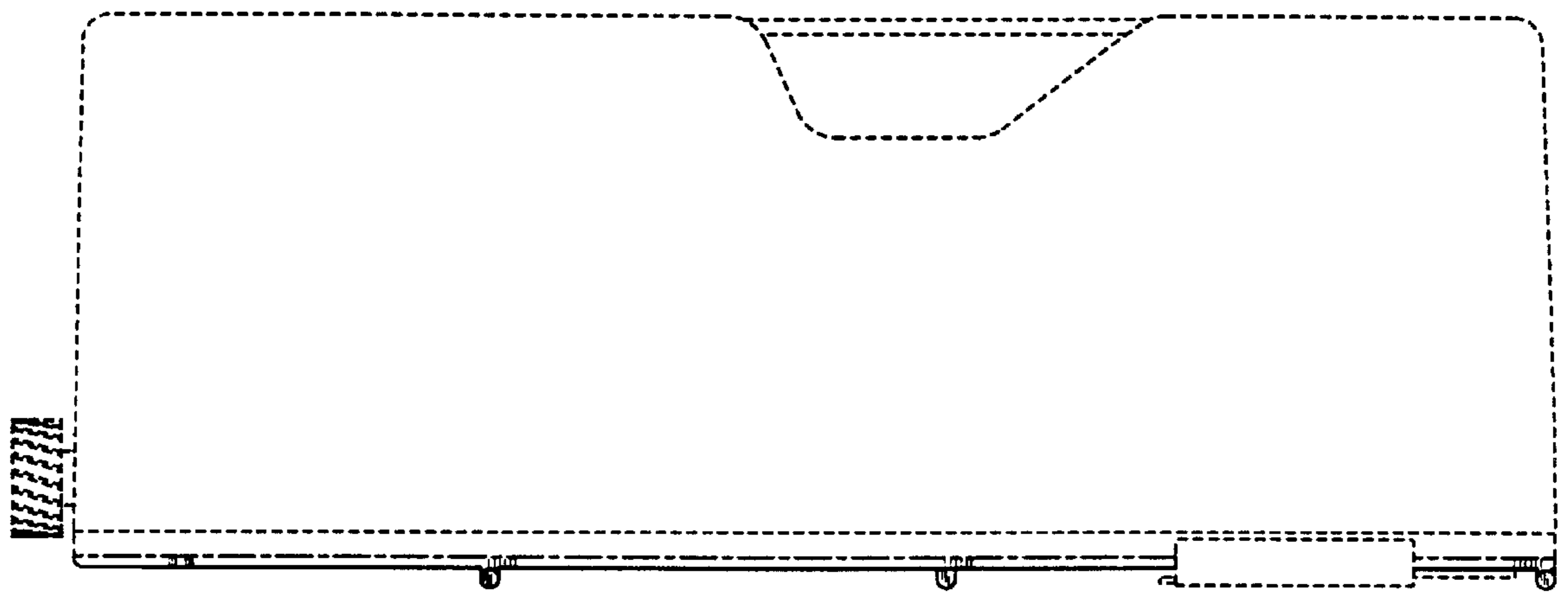


Fig.21.

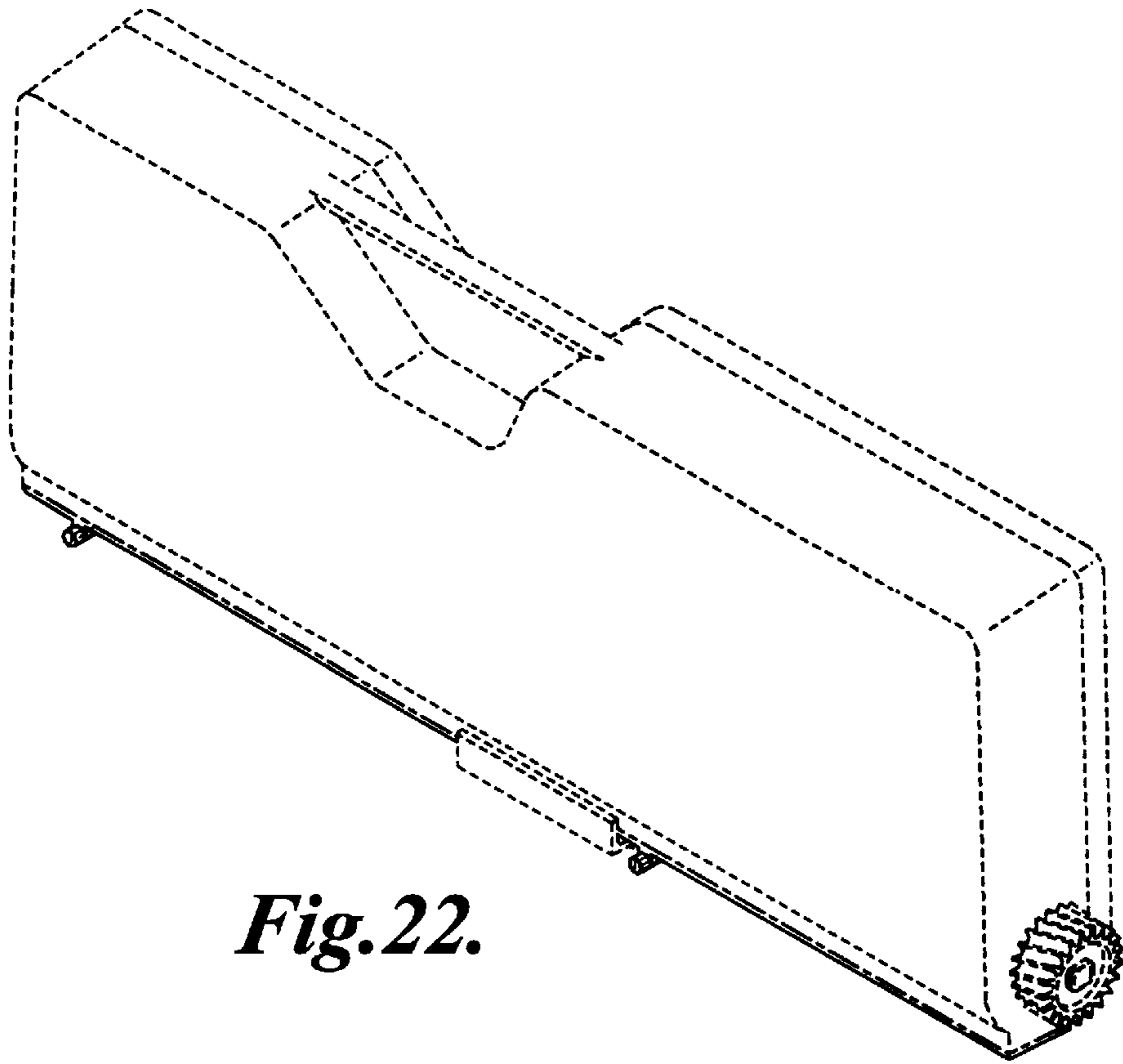


Fig. 22.

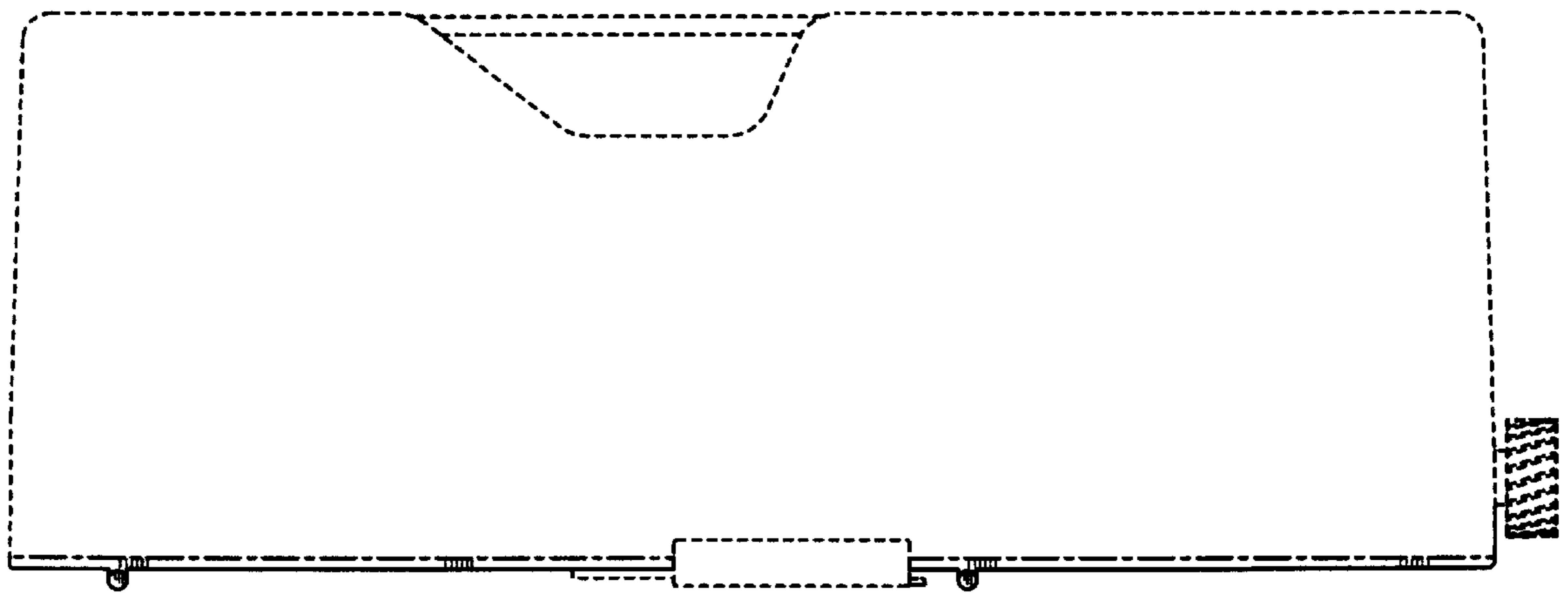


Fig. 23.

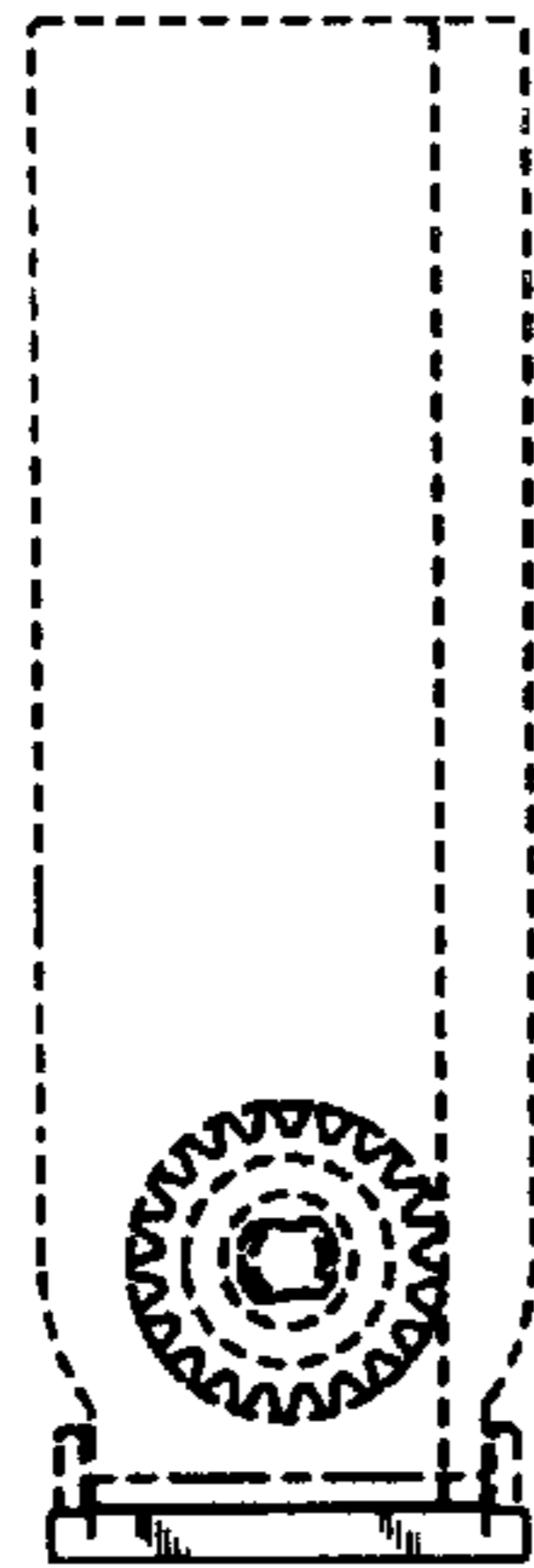


Fig. 24.

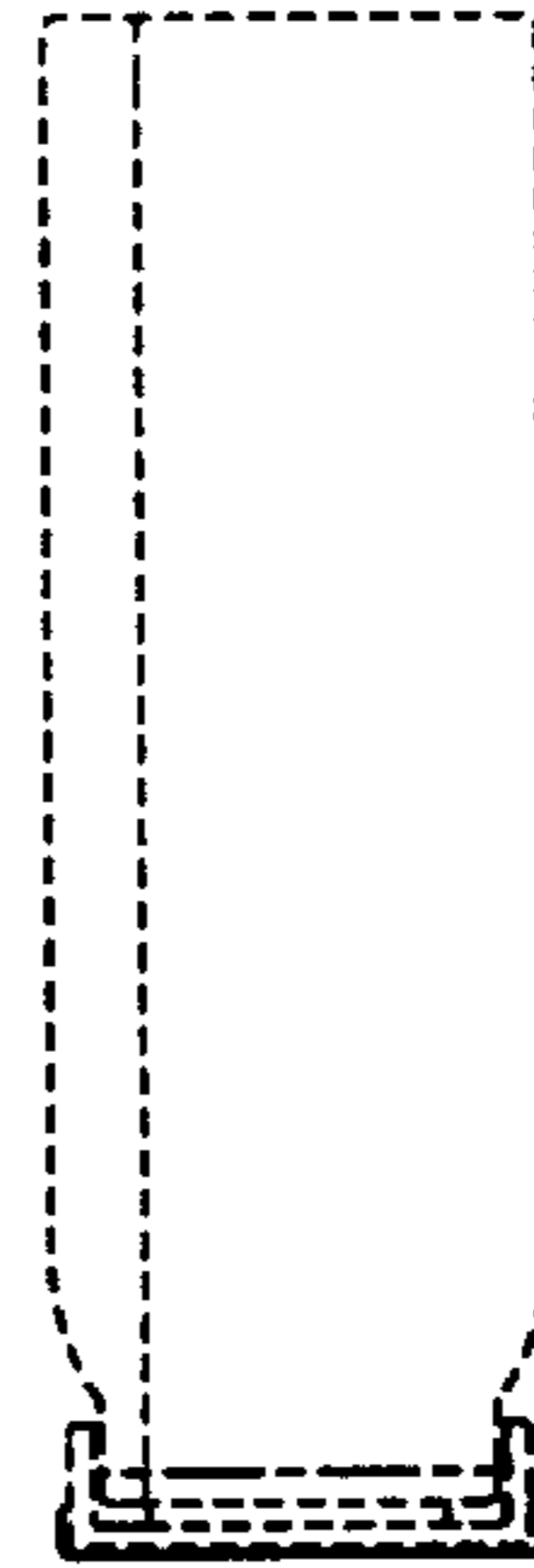


Fig. 25.

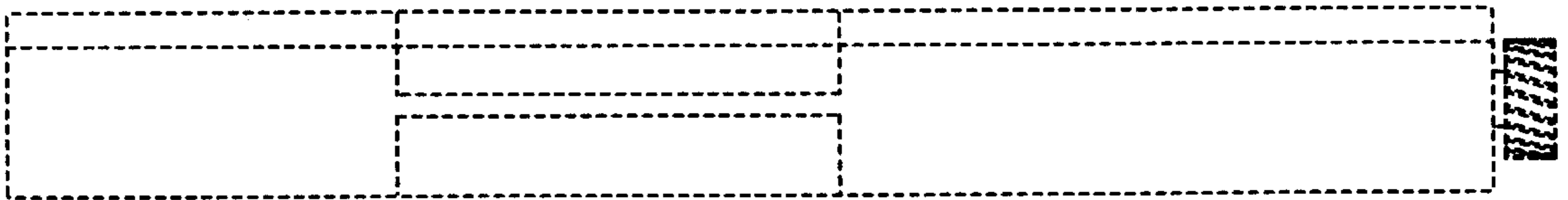


Fig. 26.

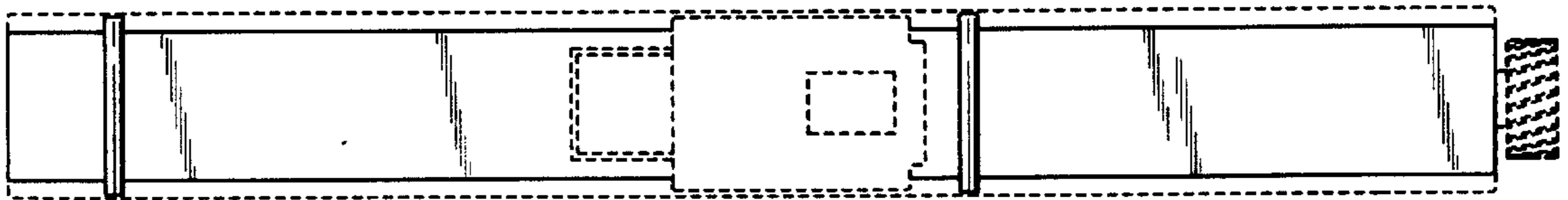


Fig. 27.

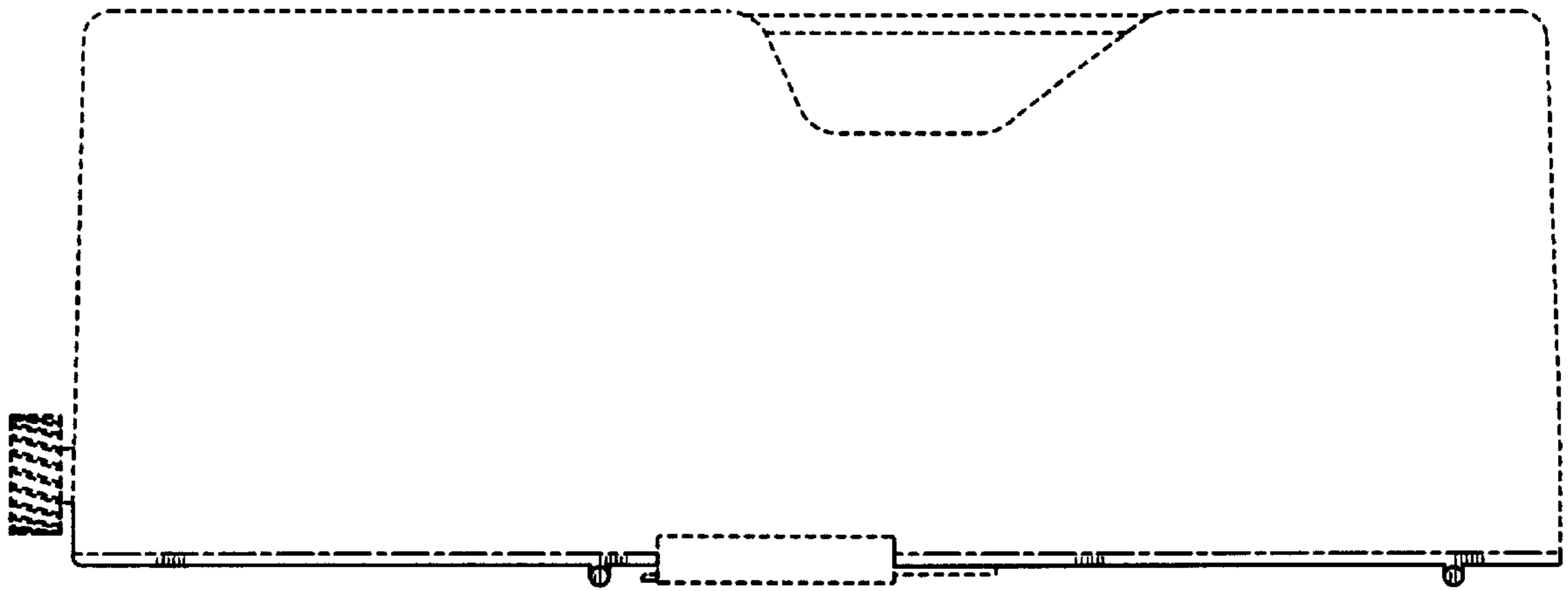


Fig.28.