



US00D478615S

(12) **United States Design Patent**
Karakama et al.

(10) **Patent No.:** **US D478,615 S**

(45) **Date of Patent:** **** Aug. 19, 2003**

(54) **IMAGE FORMING APPARATUS**

(75) Inventors: **Toshiyuki Karakama**, Susono (JP);
Toru Oguma, Mishima (JP); **Akiyoshi Yokoi**,
Sunto-gun (JP); **Noriyuki Komatsu**, Numazu (JP)

(73) Assignee: **Canon Kabushiki Kaisha**, Tokyo (JP)

(**) Term: **14 Years**

(21) Appl. No.: **29/172,781**

(22) Filed: **Dec. 18, 2002**

(30) **Foreign Application Priority Data**

Jun. 24, 2002 (JP) 2002-016865

(51) **LOC (7) Cl.** **16-03**

(52) **U.S. Cl.** **D18/40**

(58) **Field of Search** D18/40, 43, 56;
399/1-3, 24-33, 107-117, 119, 121, 130,
252, 262, 263; 222/DIG. 1

(56) **References Cited**

U.S. PATENT DOCUMENTS

D309,323 S * 7/1990 Craft et al. D18/40

D322,279 S * 12/1991 Tsutsui D18/43

D397,140 S * 8/1998 Oshida D18/40

5,890,036 A * 3/1999 Karakama et al. 399/119

6,070,028 A * 5/2000 Odagawa et al. 399/104

6,144,398 A * 11/2000 Yokoyama et al. 347/263

* cited by examiner

Primary Examiner—Caron D. Veynar

(74) *Attorney, Agent, or Firm*—Fitzpatrick, Cella, Harper & Scinto

(57) **CLAIM**

The ornamental design for an image forming apparatus, as shown and described.

DESCRIPTION

FIG. 1 is a front view of an image forming apparatus showing our new design;

FIG. 2 is a rear view thereof;

FIG. 3 is a top plan view thereof;

FIG. 4 is a bottom plan view thereof;

FIG. 5 is a left side view thereof;

FIG. 6 is a right side view thereof; and,

FIG. 7 is a perspective view thereof.

1 Claim, 6 Drawing Sheets

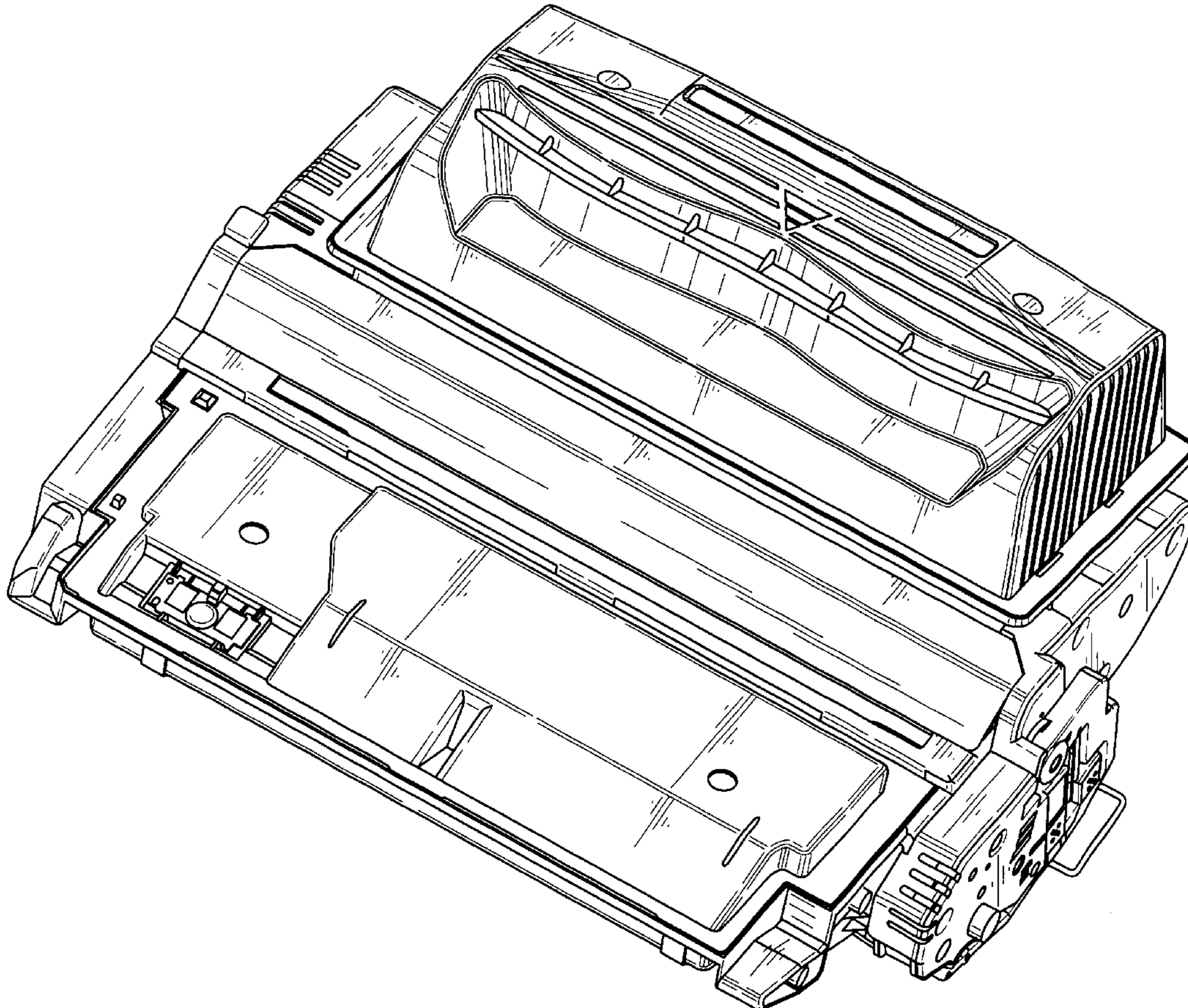


FIG. 1

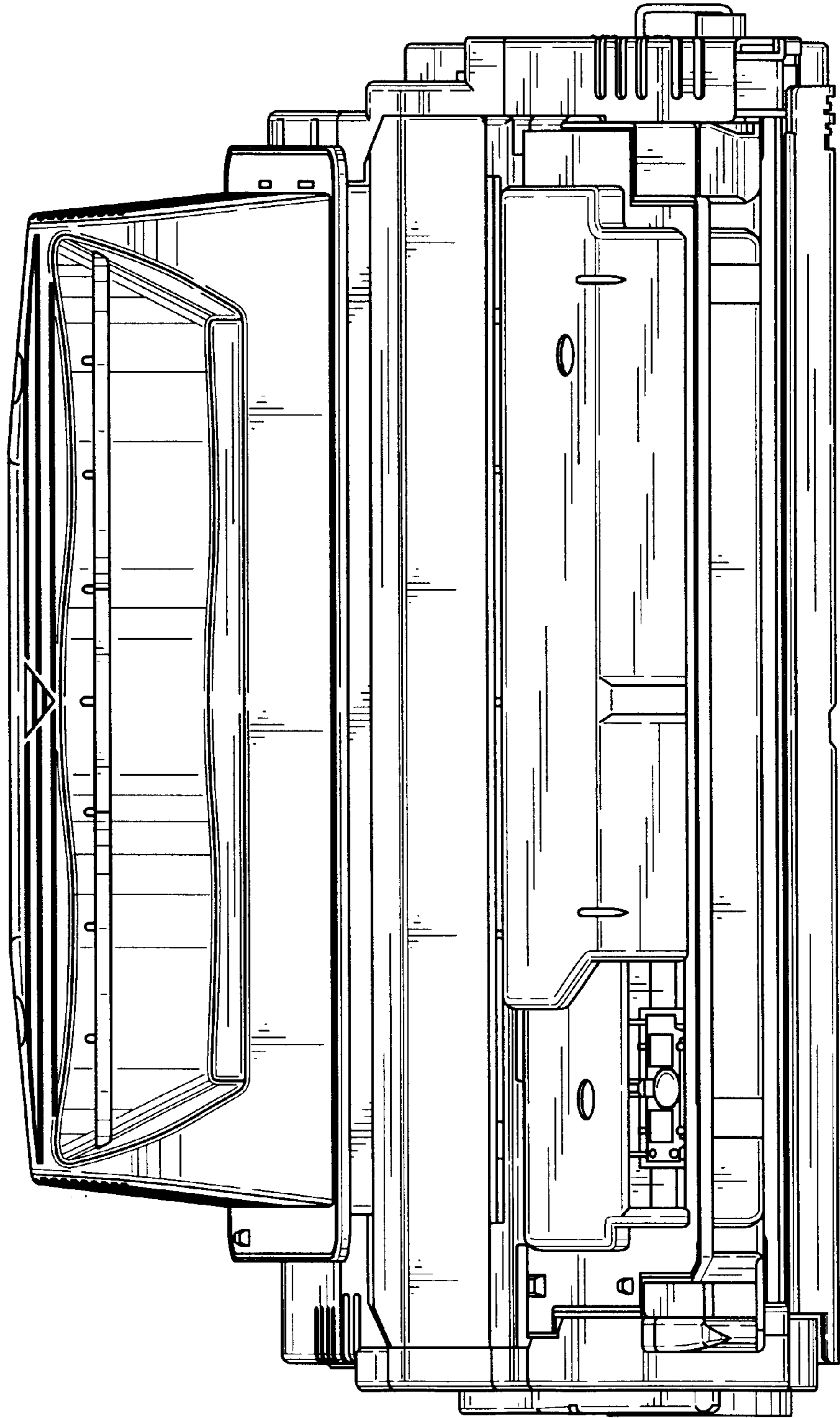


FIG. 2

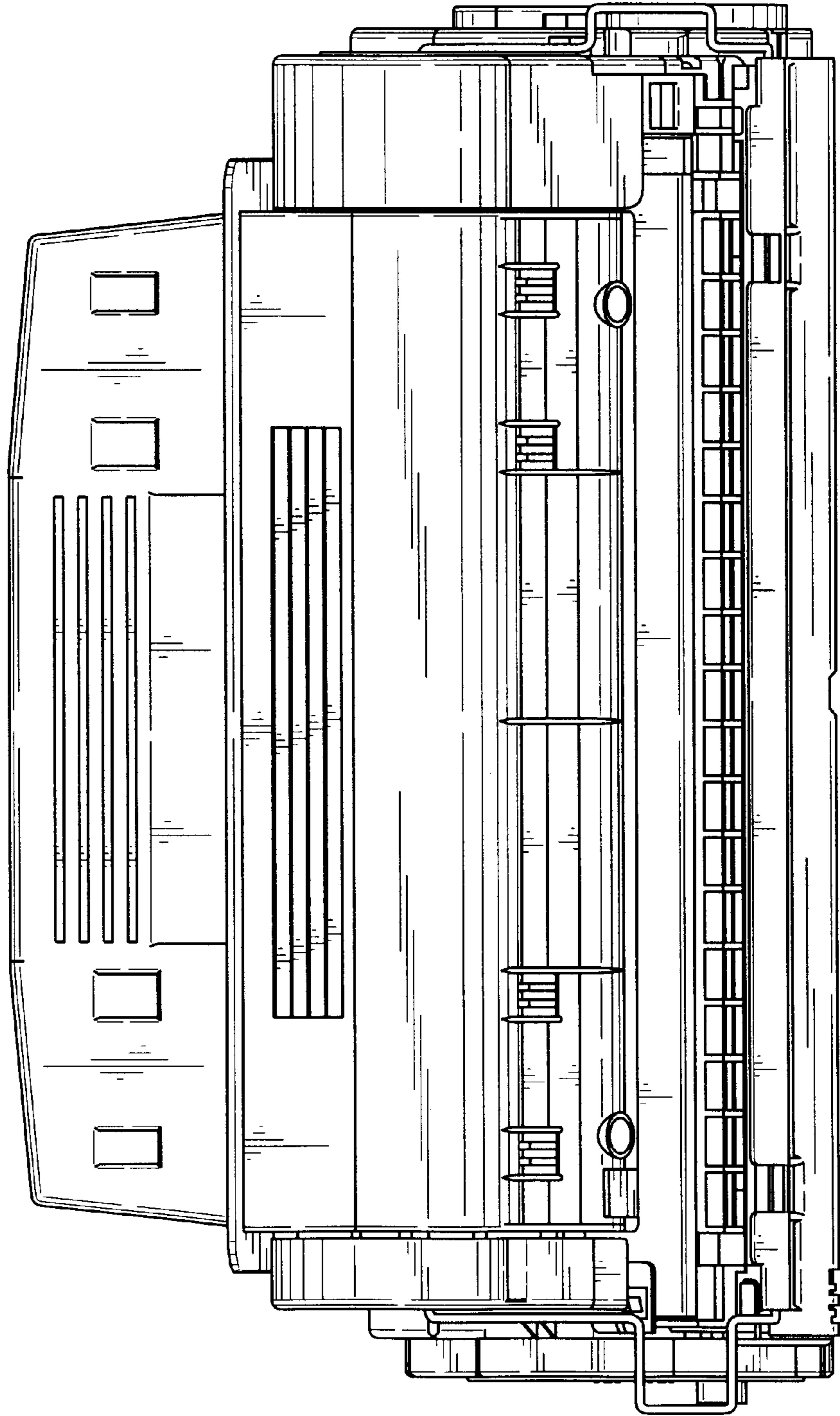


FIG. 3

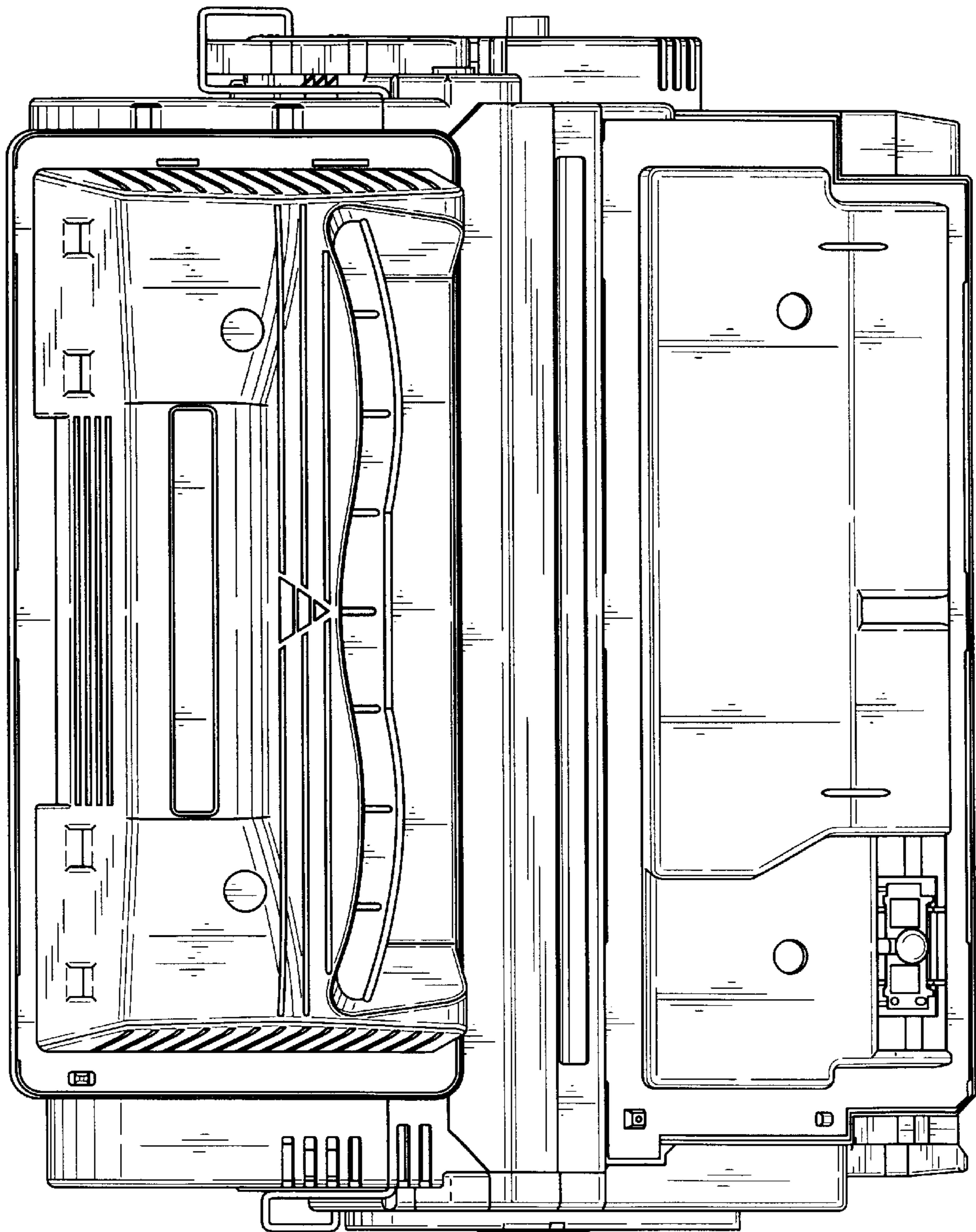


FIG. 4

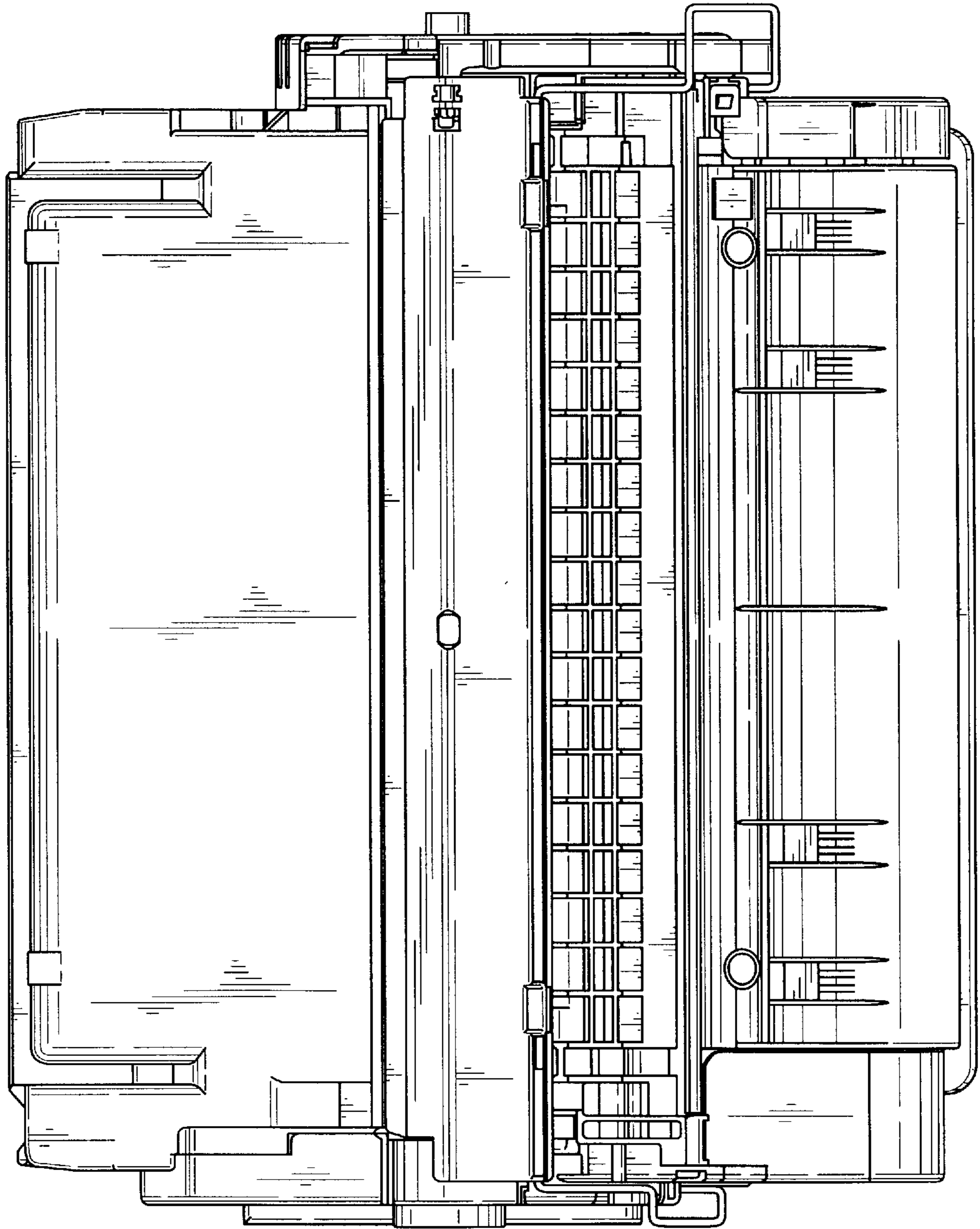


FIG. 5

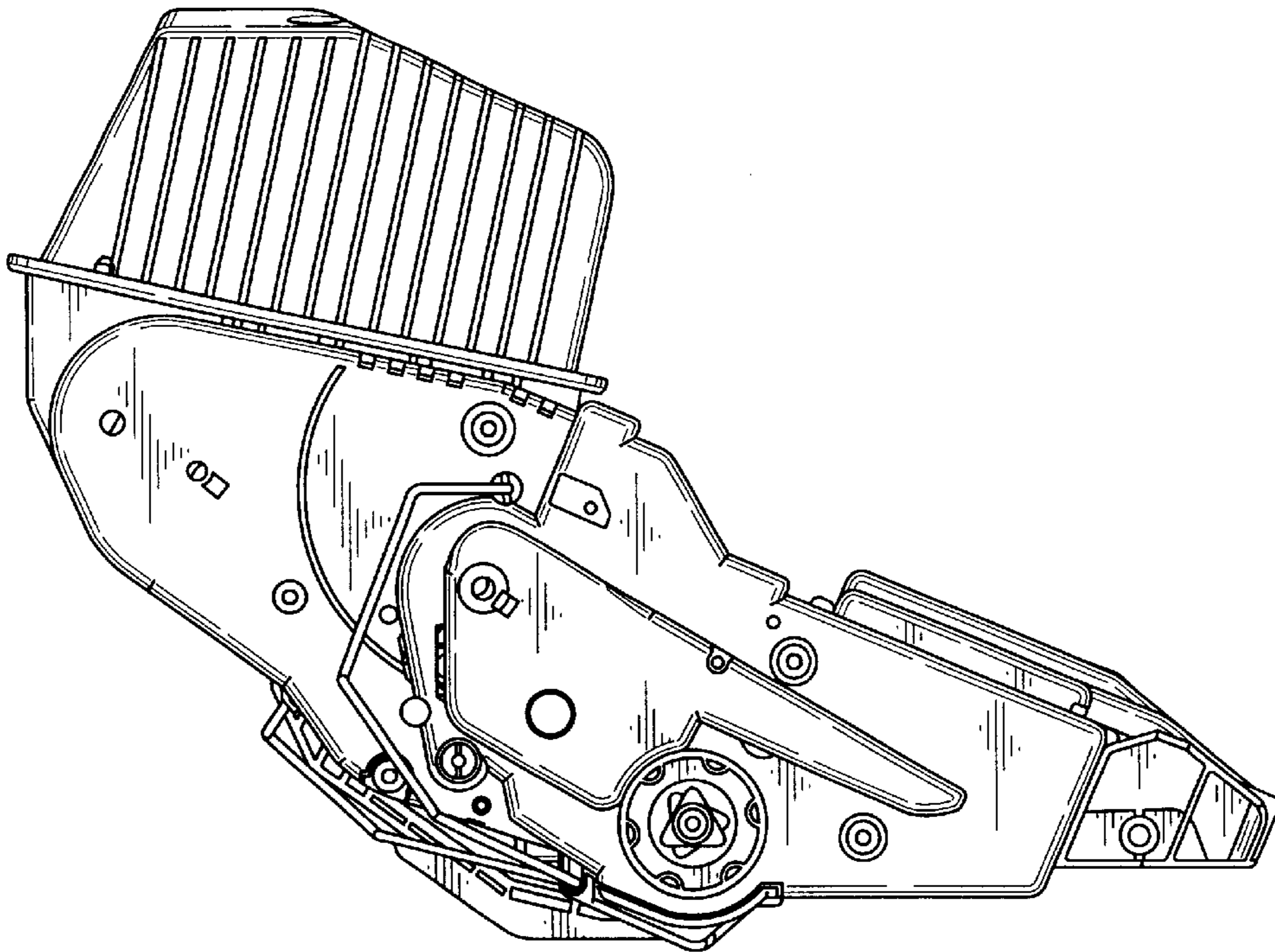
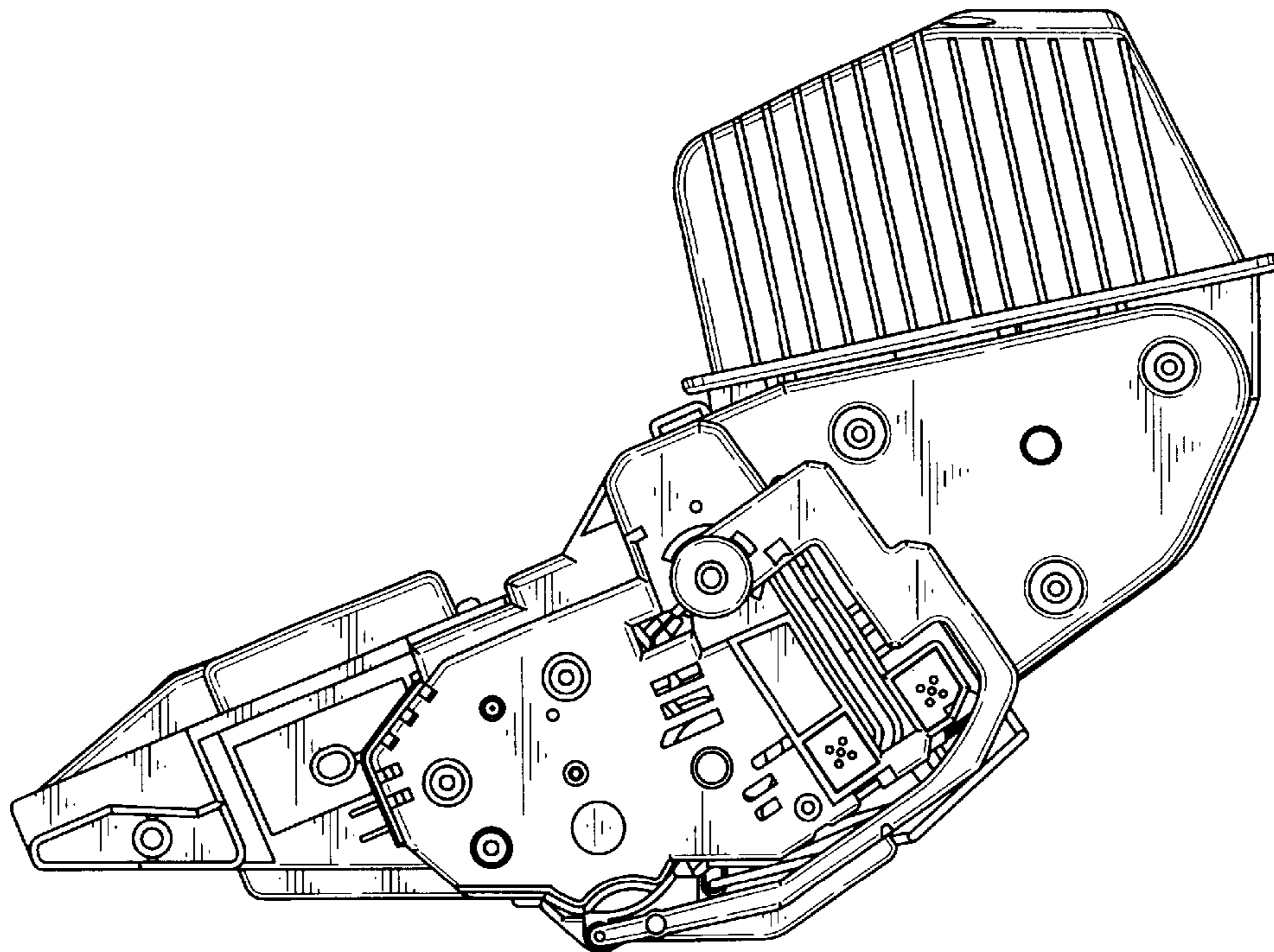


FIG. 6



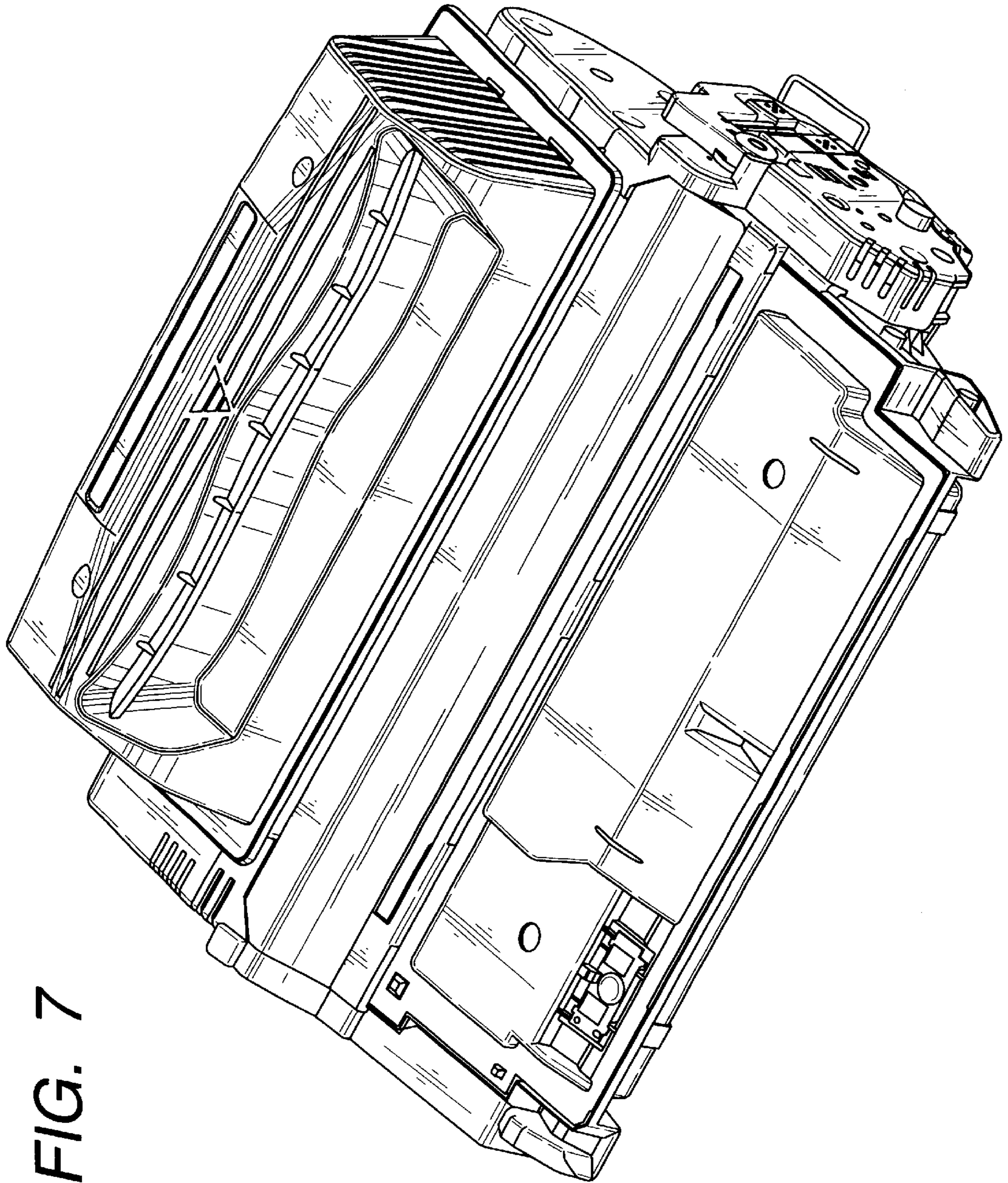


FIG. 7