



US00D478614S

(12) **United States Design Patent**
Numagami et al.

(10) **Patent No.:** **US D478,614 S**

(45) **Date of Patent:** **** Aug. 19, 2003**

(54) **IMAGE FORMING APPARATUS**

D418,156 S * 12/1999 Maeda D18/43
2002/0034404 A1 3/2002 Kojima et al. 399/258

(75) Inventors: **Atsushi Numagami**, Hatano (JP);
Takahito Ueno, Mishima (JP);
Kazunari Murayama, Sunto-gun (JP)

FOREIGN PATENT DOCUMENTS

JP 2002-72653 3/2002

(73) Assignee: **Canon Kabushiki Kaisha**, Tokyo (JP)

* cited by examiner

(**) Term: **14 Years**

Primary Examiner—Caron D. Veynar
(74) *Attorney, Agent, or Firm*—Fitzpatrick, Cella, Harper & Scinto

(21) Appl. No.: **29/171,152**

(22) Filed: **Nov. 19, 2002**

(57) **CLAIM**

(30) **Foreign Application Priority Data**

The ornamental design for an image forming apparatus, as shown and described.

May 20, 2002 (JP) 2002-013310

DESCRIPTION

(51) **LOC (7) Cl.** **16-03**

FIG. 1 is a front view of an image forming apparatus showing our new design;

(52) **U.S. Cl.** **D18/40**

FIG. 2 is a rear view thereof;

(58) **Field of Search** D18/36, 40, 43,
D18/56; 222/DIG. 1; 399/12, 24, 25, 27,
28, 31, 106, 110-120, 130, 134, 252, 262

FIG. 3 is a top plan view thereof;

FIG. 4 is a bottom plan view thereof;

FIG. 5 is a left side view thereof;

FIG. 6 is a right side view thereof; and,

FIG. 7 is a perspective view thereof.

(56) **References Cited**

U.S. PATENT DOCUMENTS

D283,136 S * 3/1986 Serbinski D18/36

1 Claim, 4 Drawing Sheets

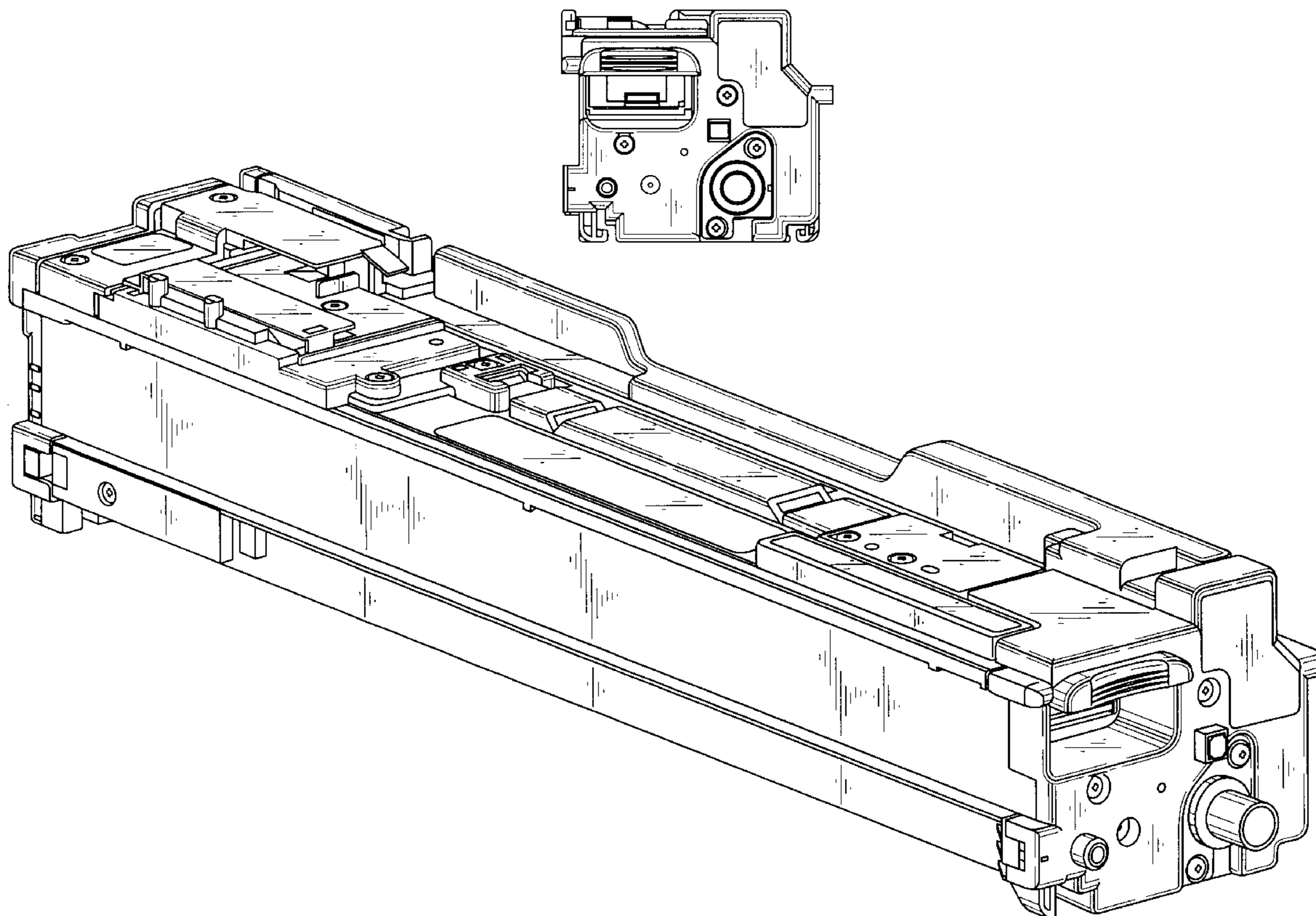


FIG. 1

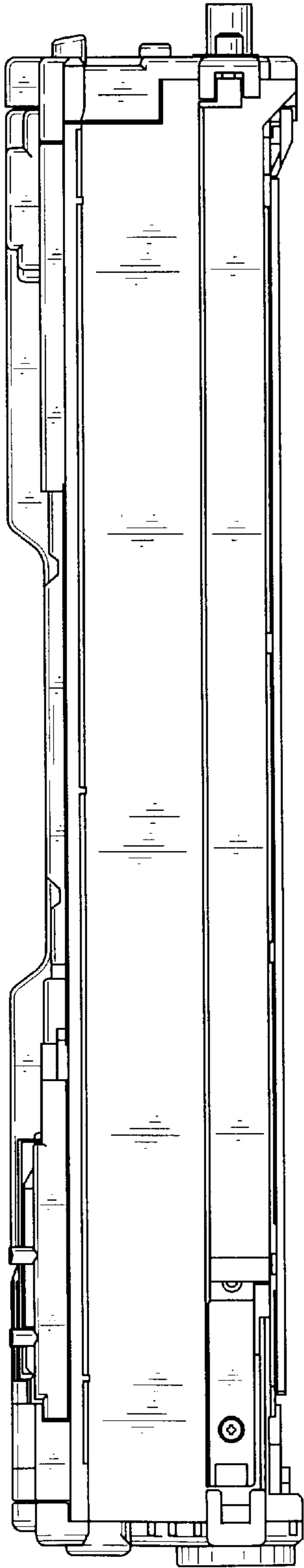


FIG. 2

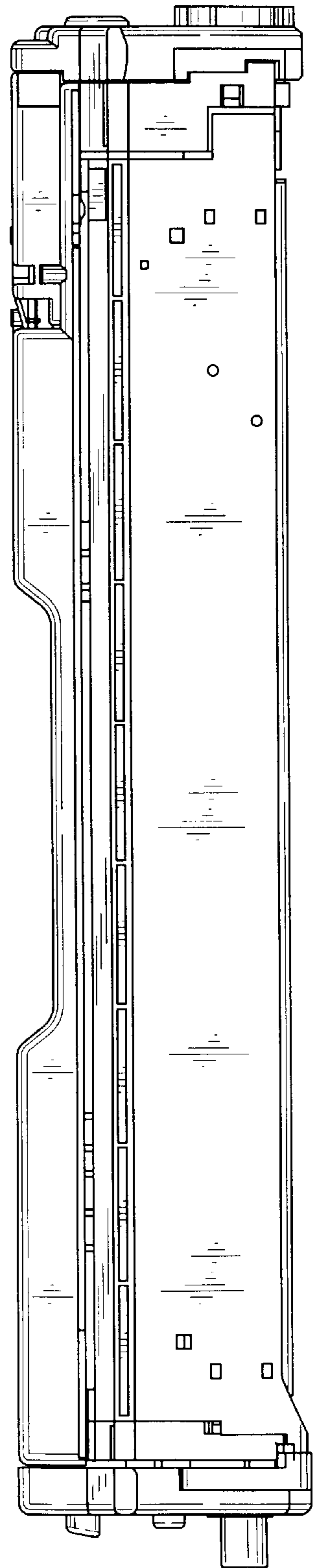


FIG. 3

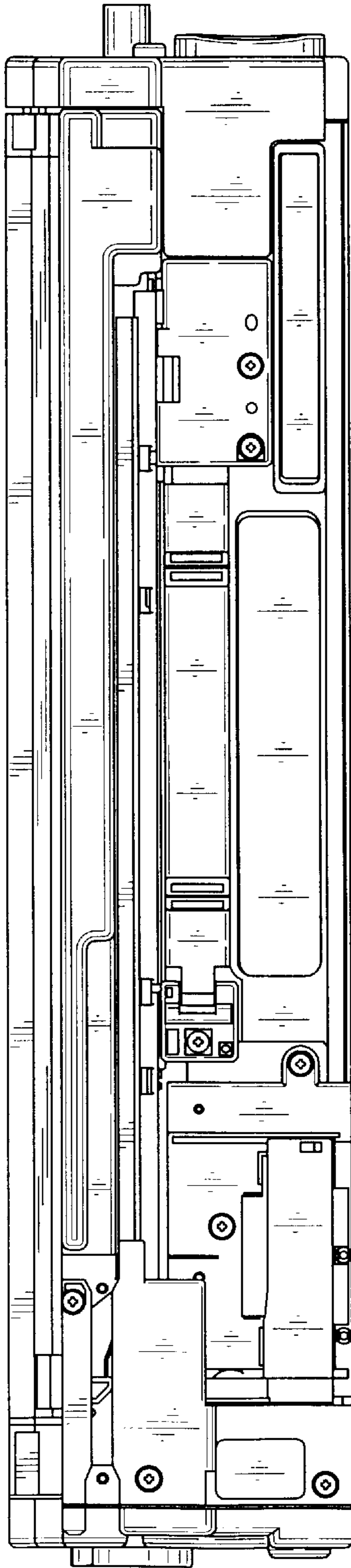


FIG. 4

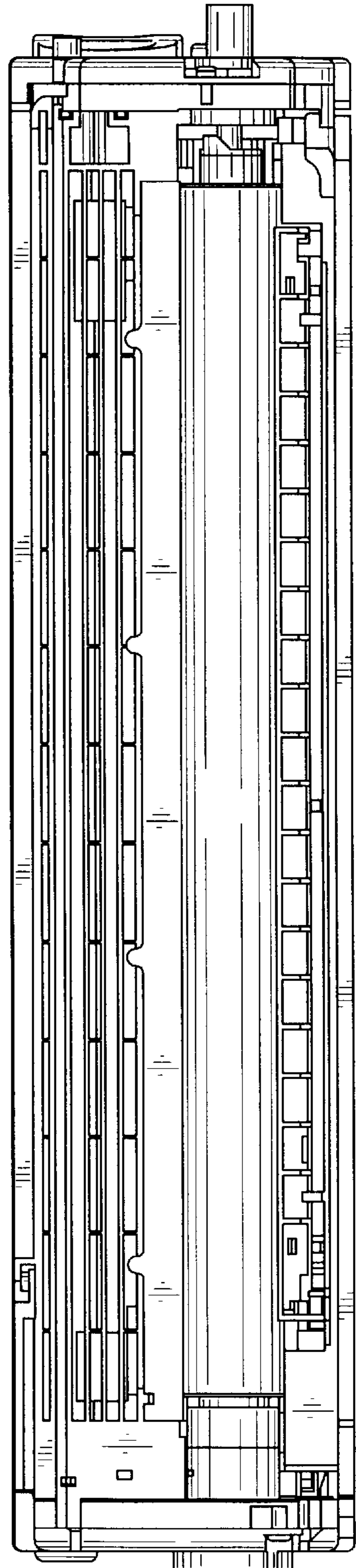


FIG. 5

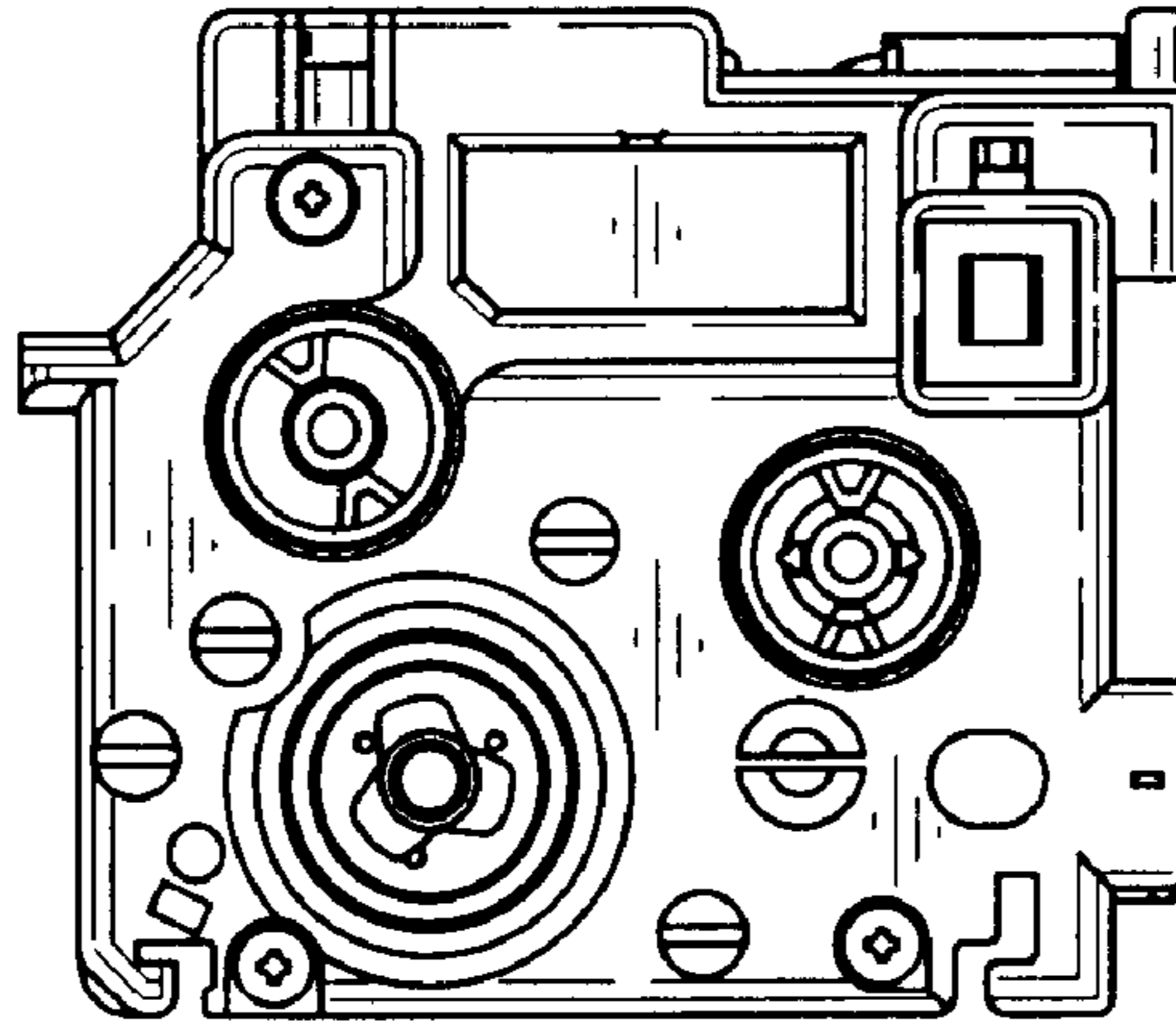


FIG. 6

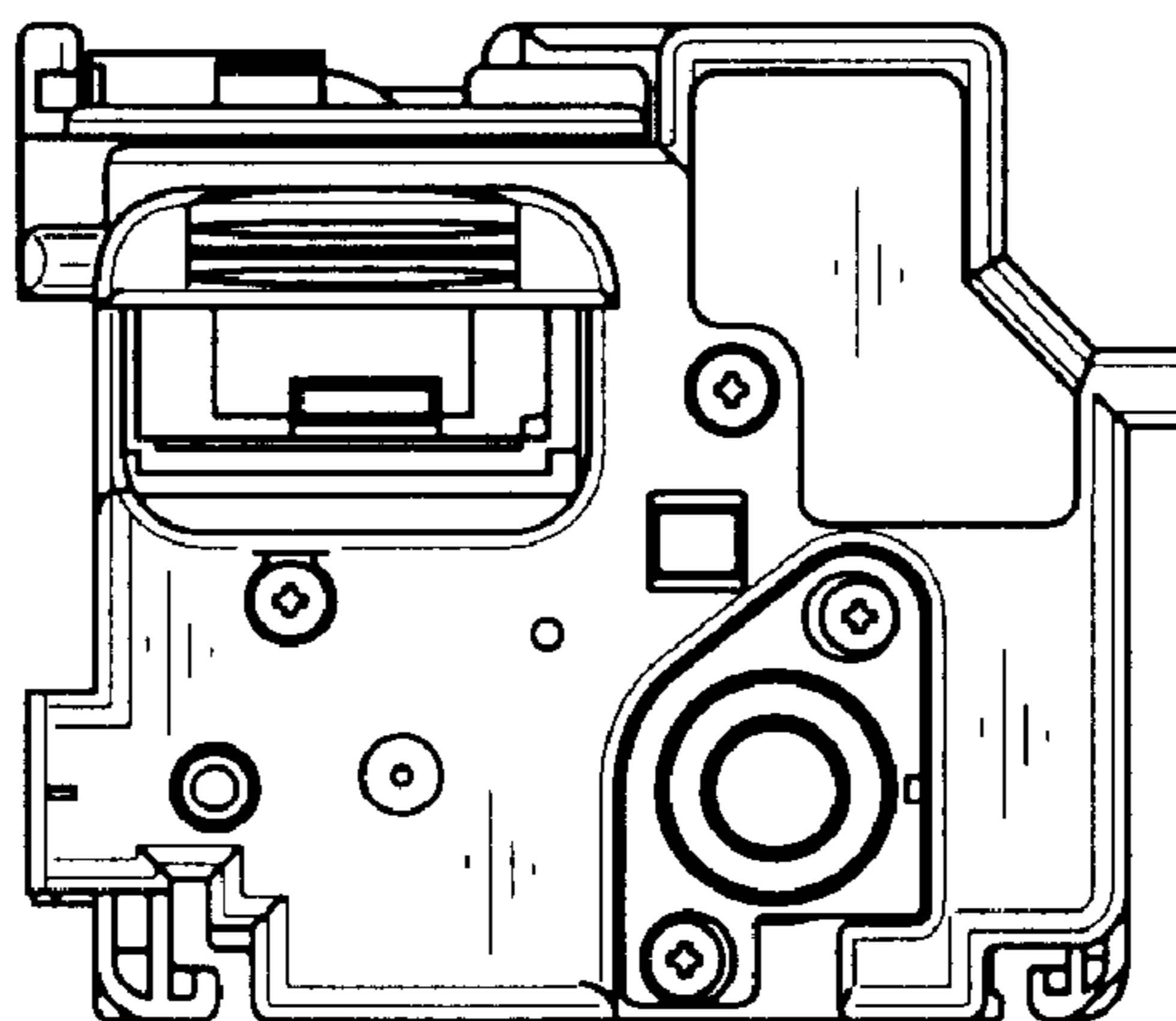


FIG. 7

