



US00D478607S

(12) **United States Design Patent**  
Nakaigawa et al.

(10) **Patent No.:** **US D478,607 S**

(45) **Date of Patent:** **\*\* Aug. 19, 2003**

(54) **IRIS RECOGNITION CAMERA**

2,254,676 A \* 9/1941 Ebert ..... D10/115  
5,359,384 A \* 10/1994 Ide ..... 396/51

(75) Inventors: **Tomoyoshi Nakaigawa**, Kanagawa (JP); **Shuichi Horiguchi**, Kanagawa (JP); **Yoshihiko Asai**, Tokyo (JP); **Kanji Mutou**, Tokyo (JP)

**FOREIGN PATENT DOCUMENTS**

JP 1101533 2/2001

\* cited by examiner

(73) Assignee: **Matsushita Electric Industrial Co., Ltd.**, Osaka (JP)

*Primary Examiner*—Adir Aronovich

(\*\*) Term: **14 Years**

(74) *Attorney, Agent, or Firm*—Christensen O'Connor Johnson Kindness PLLC

(21) Appl. No.: **29/151,854**

(57) **CLAIM**

(22) Filed: **Dec. 7, 2001**

The ornamental design for an iris recognition camera, as shown and described.

(30) **Foreign Application Priority Data**

**DESCRIPTION**

Jun. 7, 2001 (JP) ..... 2001-016615

FIG. 1 is a front view of an iris recognition camera showing our new design;

(51) **LOC (7) Cl.** ..... **16-05**

FIG. 2 is a right side view thereof;

(52) **U.S. Cl.** ..... **D16/219**

FIG. 3 is a rear view thereof;

(58) **Field of Search** ..... D16/200, 201, D16/202-205, 208, 218, 219; D10/115; 340/907; 348/78; 396/18, 51

FIG. 4 is a left side view thereof;

FIG. 5 is a top plan view thereof; and,

FIG. 6 is a bottom view thereof.

(56) **References Cited**

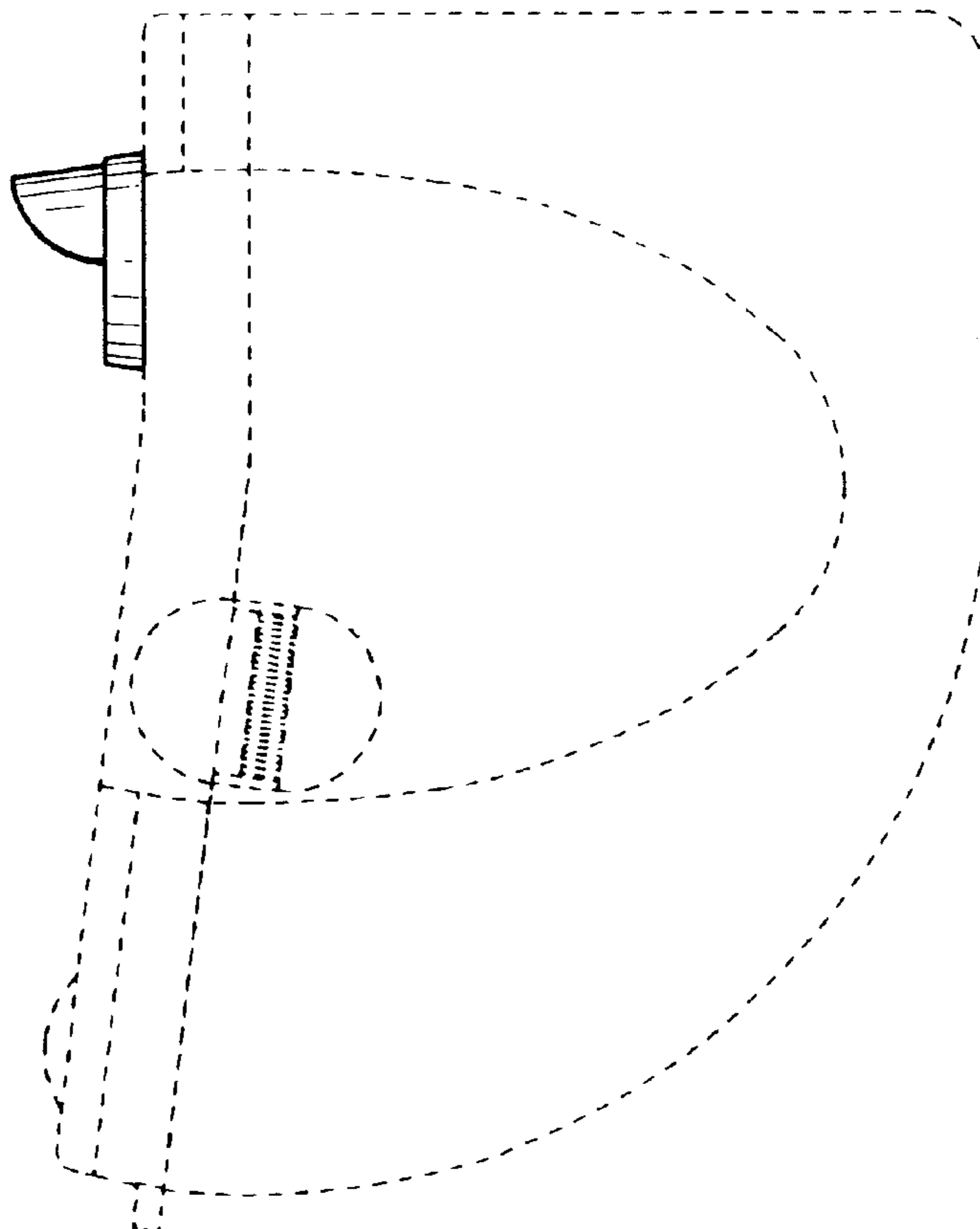
The portions of the article in broken lines are shown for illustrative purposes only and form no part of the claimed design.

**U.S. PATENT DOCUMENTS**

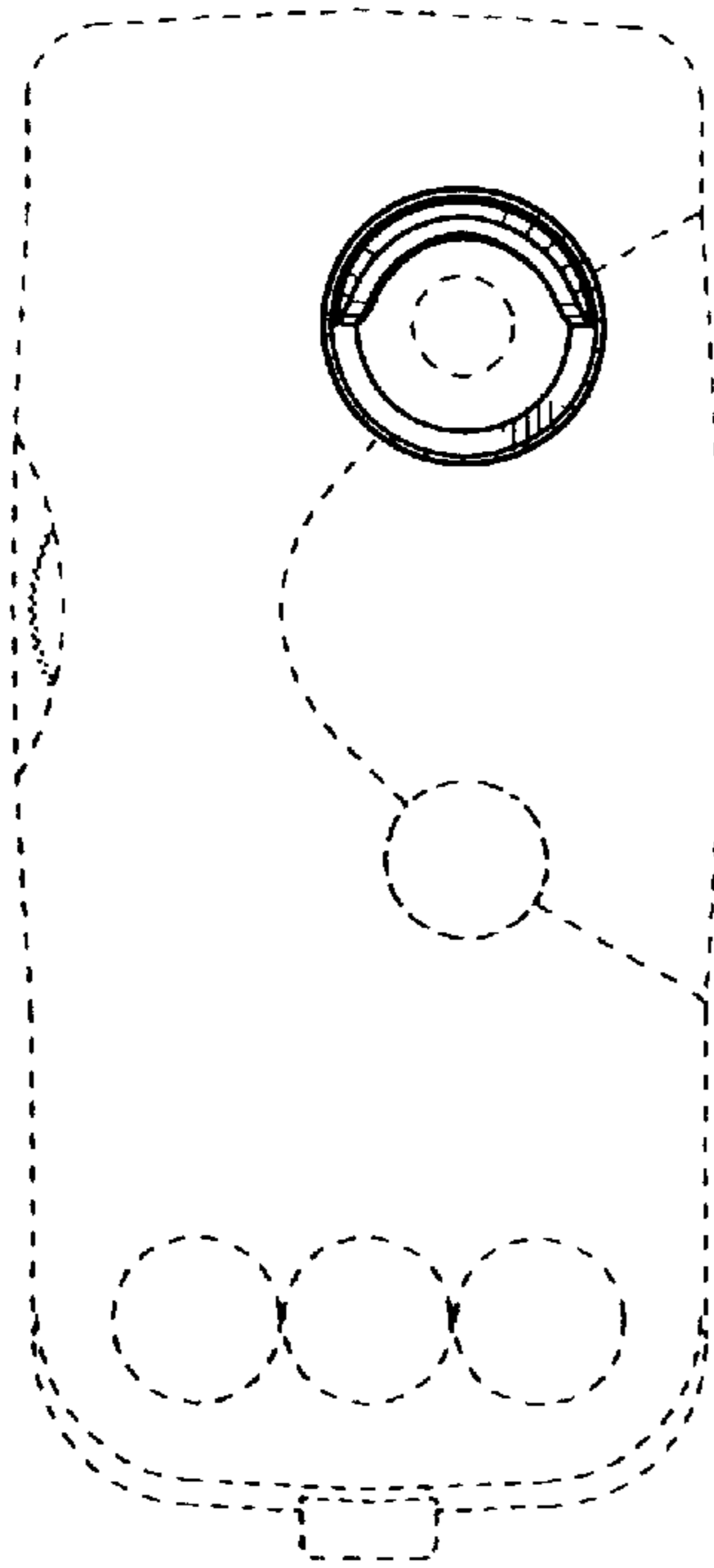
D81,594 S \* 7/1930 Horni ..... D10/115

D98,995 S \* 3/1936 Bissell ..... D10/115

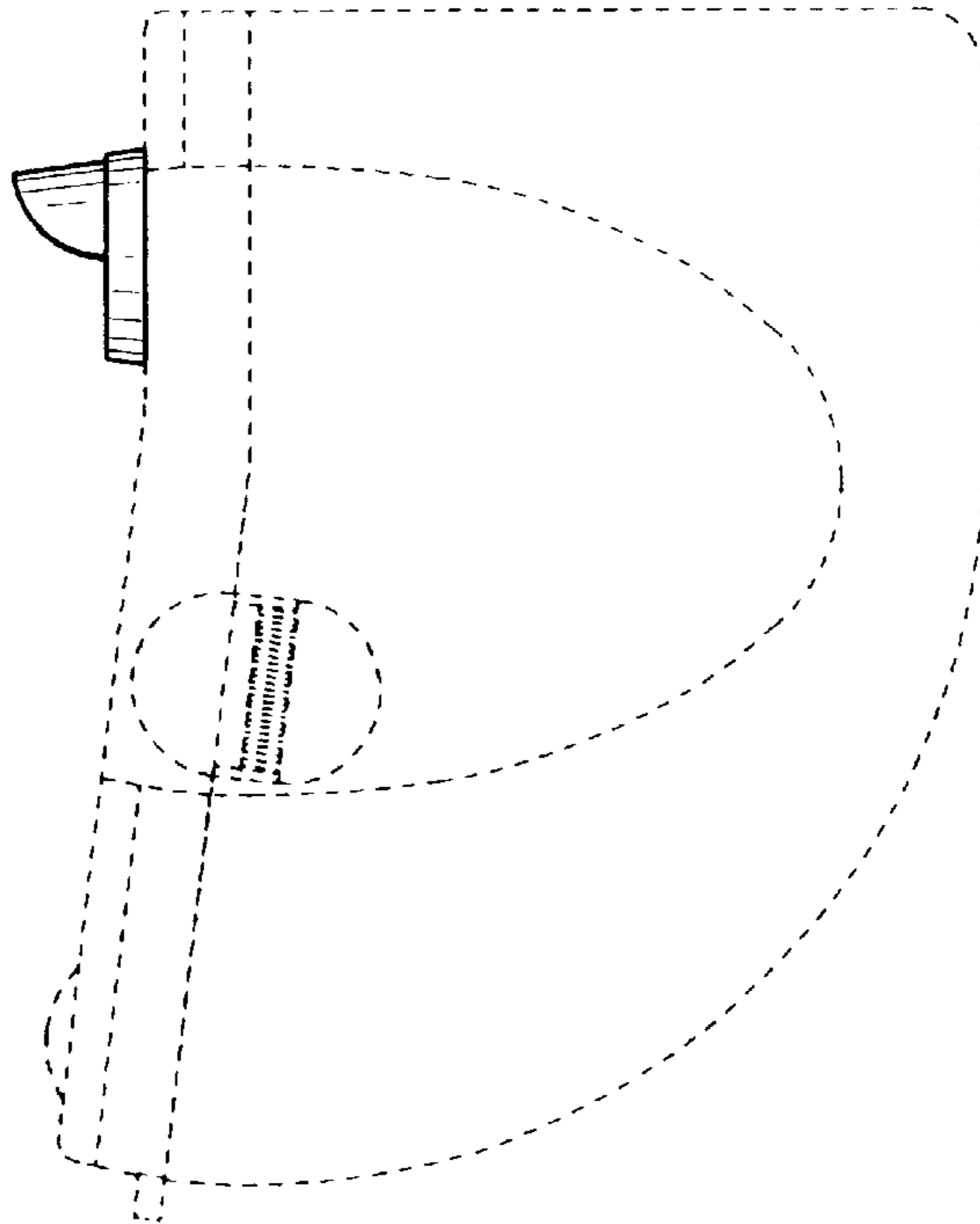
**1 Claim, 2 Drawing Sheets**



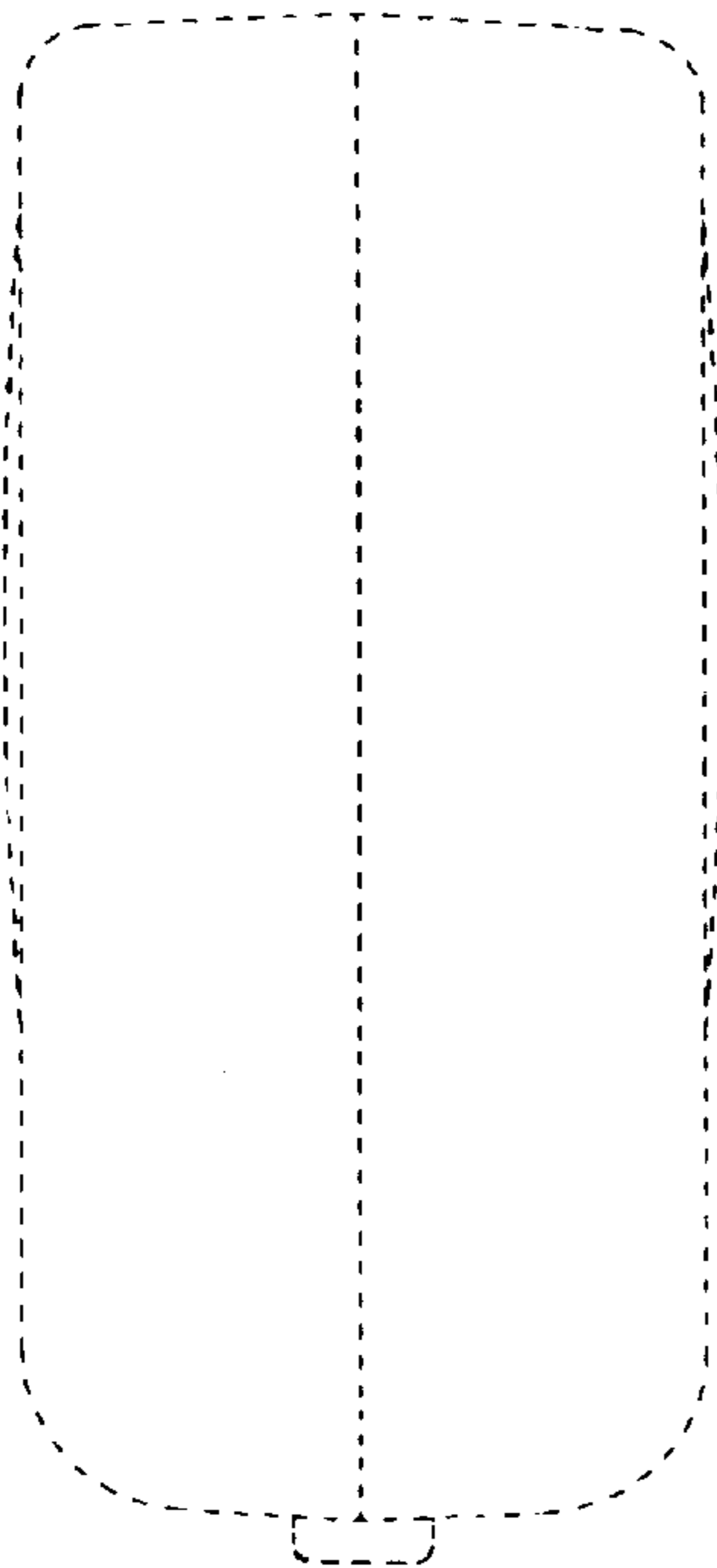
**FIG. 1**



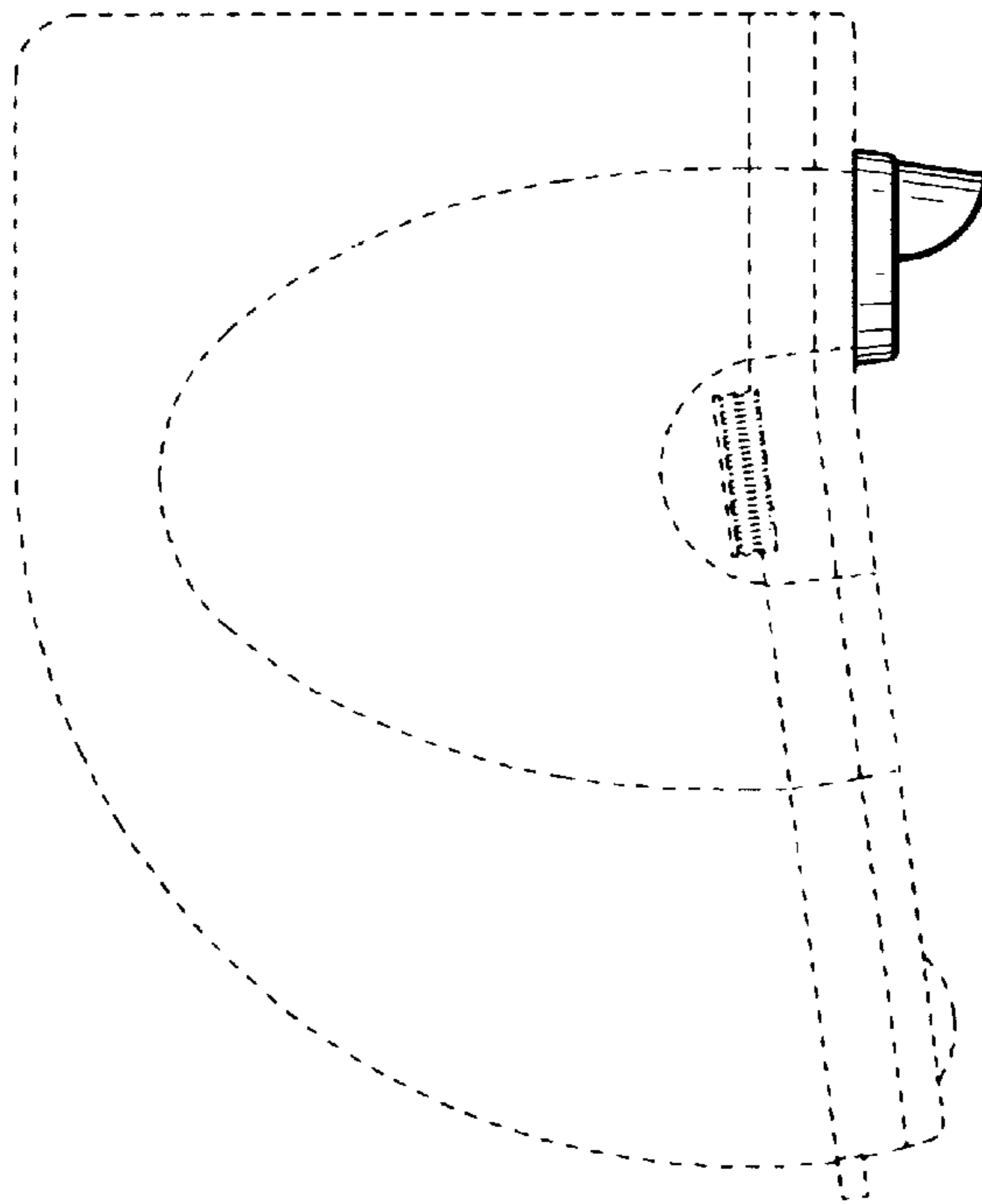
**FIG. 2**



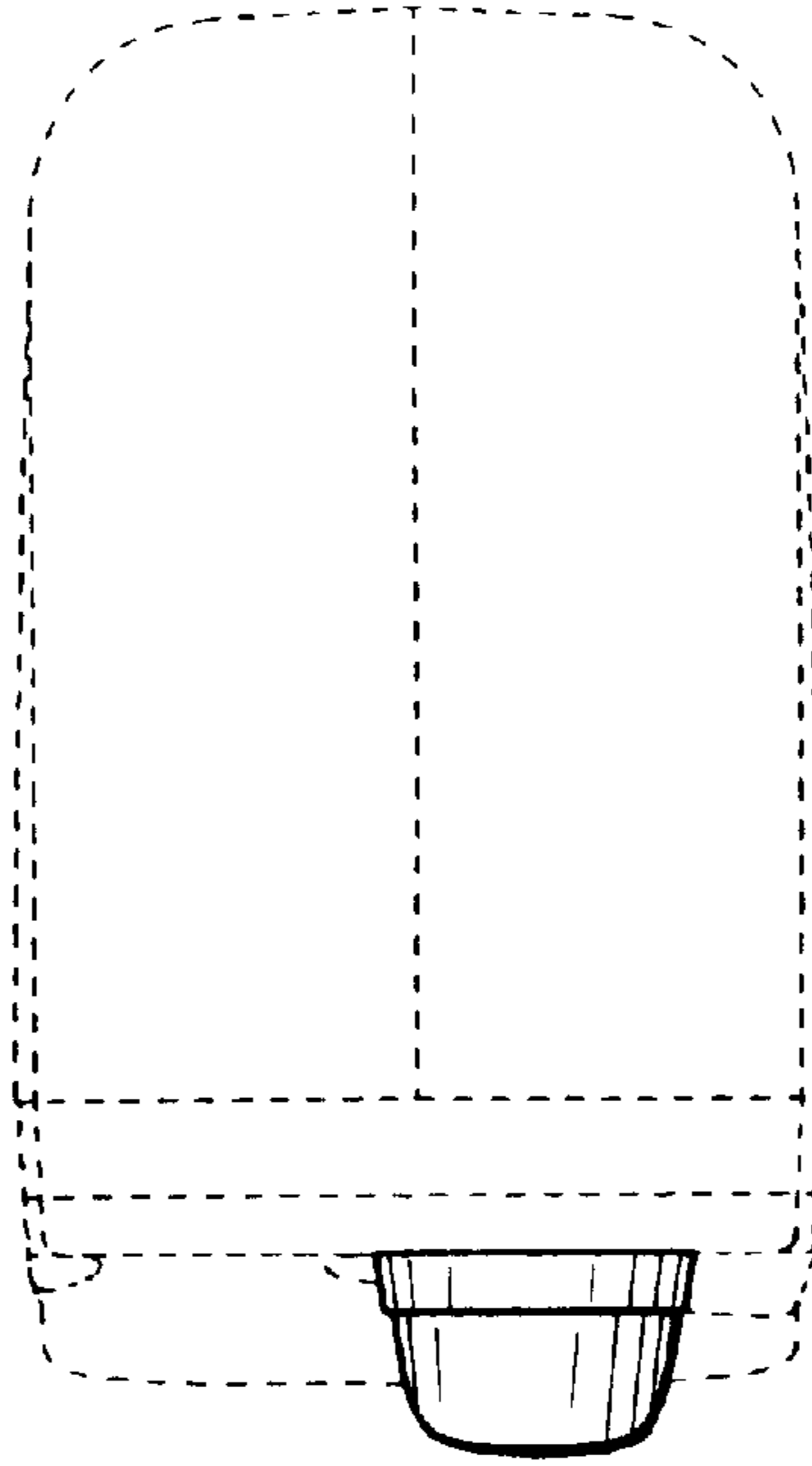
**FIG. 3**



**FIG. 4**



*FIG. 5*



*FIG. 6*

