



US00D478606S

(12) **United States Design Patent**
Owada

(10) **Patent No.:** **US D478,606 S**

(45) **Date of Patent:** **** Aug. 19, 2003**

(54) **DIGITAL CAMERA**

(75) **Inventor:** **Masahito Owada, Yokohama (JP)**

(73) **Assignee:** **Canon Kabushiki Kaisha, Tokyo (JP)**

(**) **Term:** **14 Years**

(21) **Appl. No.:** **29/165,487**

(22) **Filed:** **Aug. 13, 2002**

(30) **Foreign Application Priority Data**

Feb. 20, 2002 (JP) 2002-004213

(51) **LOC (7) Cl.** **16-01**

(52) **U.S. Cl.** **D16/202; D16/218**

(58) **Field of Search** **D16/200-205,**
D16/208, 209, 218; 348/373-376; 358/909.1;
396/535-541

(56) **References Cited**

U.S. PATENT DOCUMENTS

4,943,822 A * 7/1990 Braunhut 396/535
D410,482 S * 6/1999 Kawai D16/218
D412,517 S * 8/1999 Hayamizu D16/209
D422,611 S * 4/2000 Katayama et al. D16/202

D424,084 S * 5/2000 Senda D16/202
D456,435 S 4/2002 Hisatomi et al. D16/202
D471,220 S * 3/2003 Hamamura D16/202

FOREIGN PATENT DOCUMENTS

JP 1129208 * 12/2001

* cited by examiner

Primary Examiner—Adir Aronovich

(74) *Attorney, Agent, or Firm*—Fitzpatrick, Cella, Harper & Scinto

(57) **CLAIM**

The ornamental design for a digital camera, as shown and described.

DESCRIPTION

FIG. 1 is a front view of a digital camera showing my new design;

FIG. 2 is a rear view thereof;

FIG. 3 is a top plan view thereof;

FIG. 4 is a bottom plan view thereof;

FIG. 5 is a left side view thereof;

FIG. 6 is a right side view thereof; and,

FIG. 7 is a perspective view thereof.

1 Claim, 4 Drawing Sheets

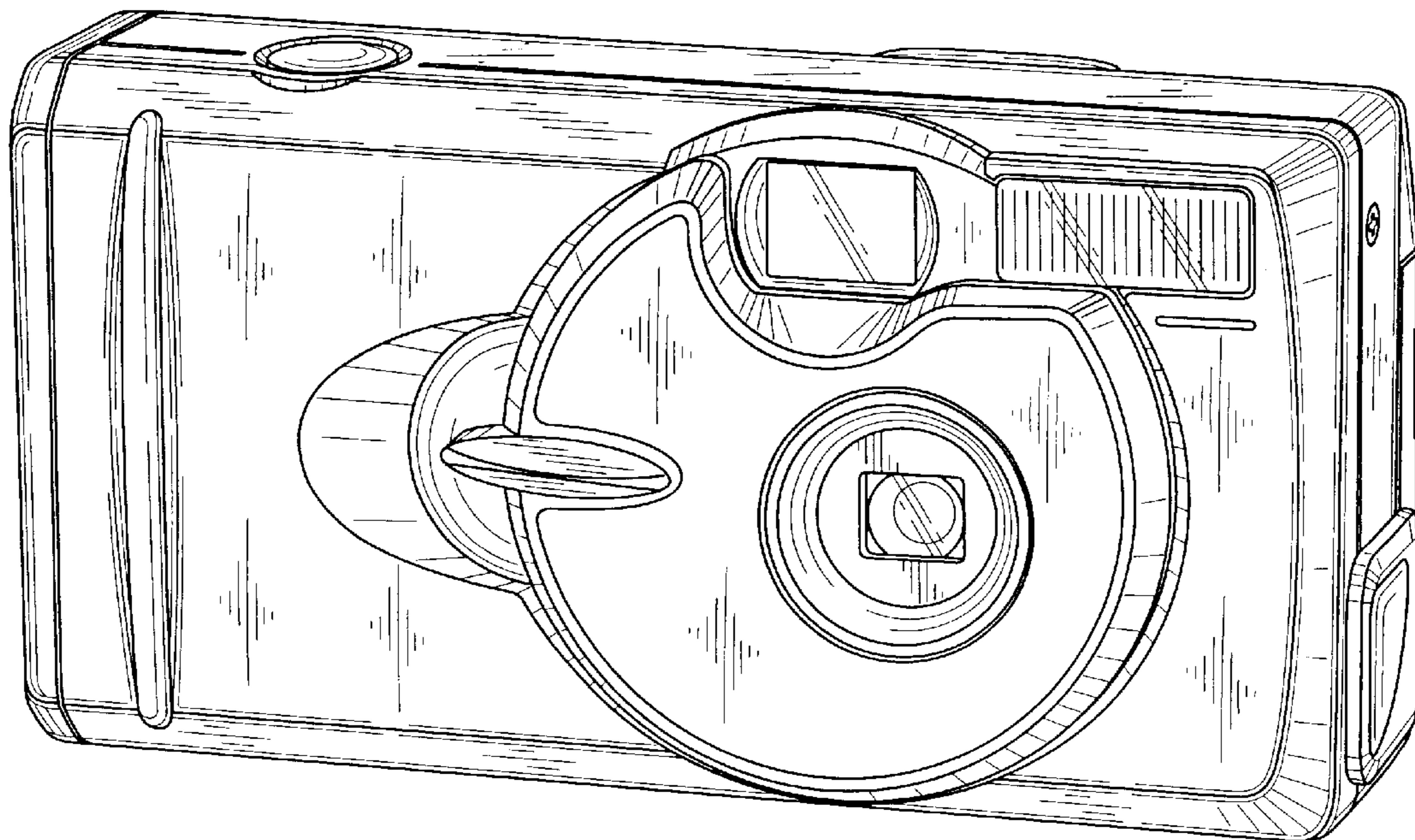


FIG. 1

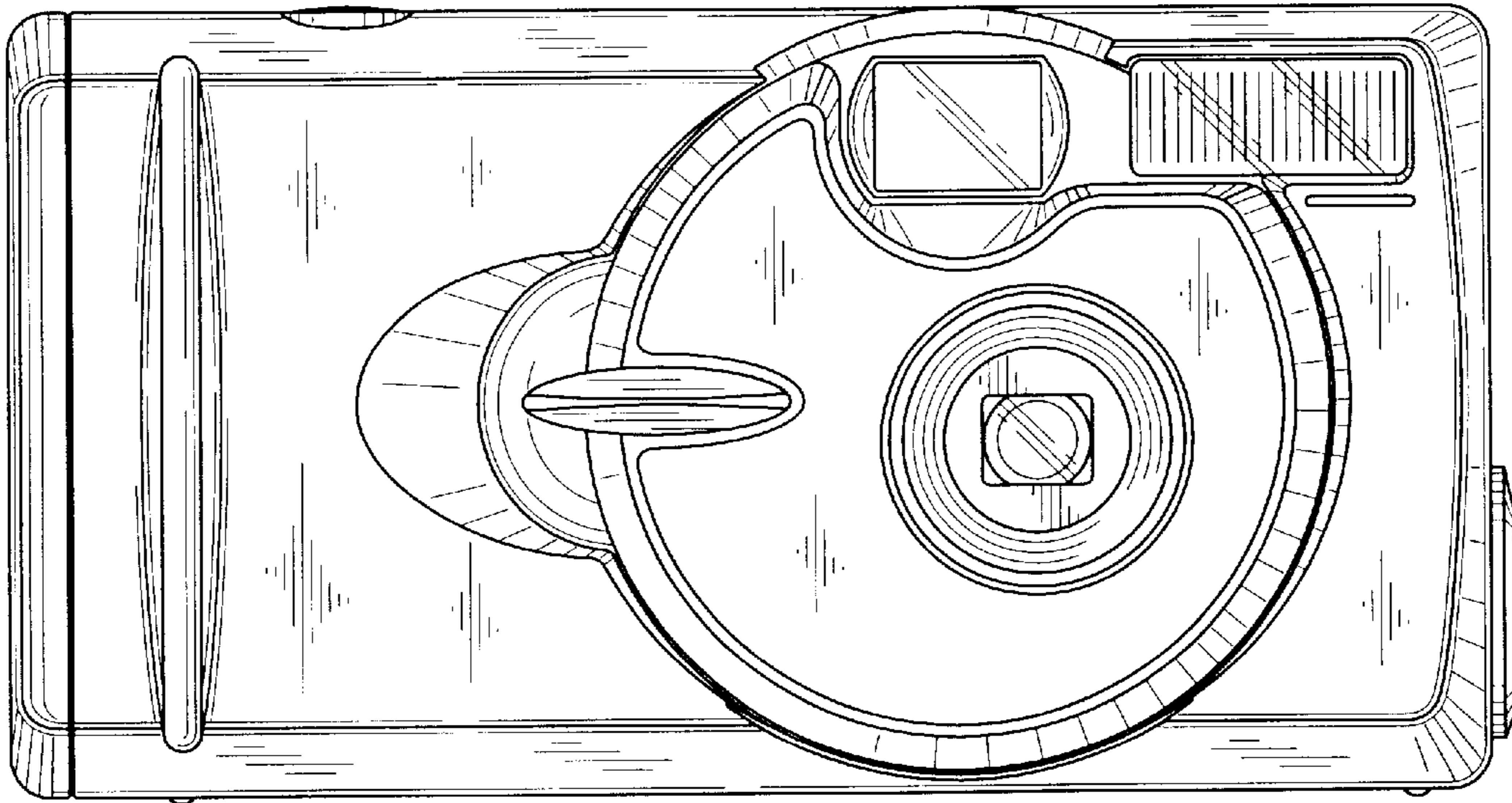


FIG. 2

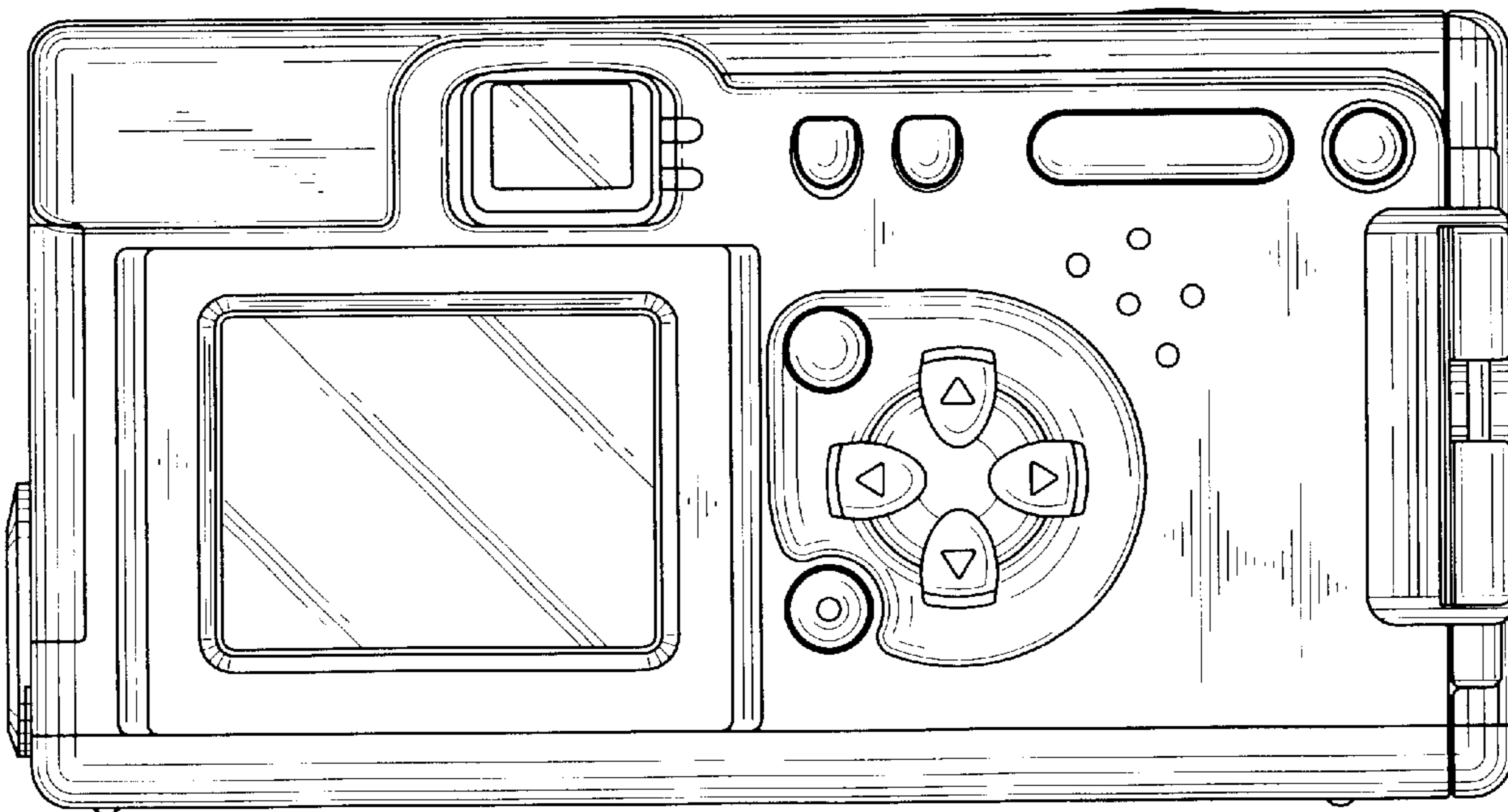


FIG. 3

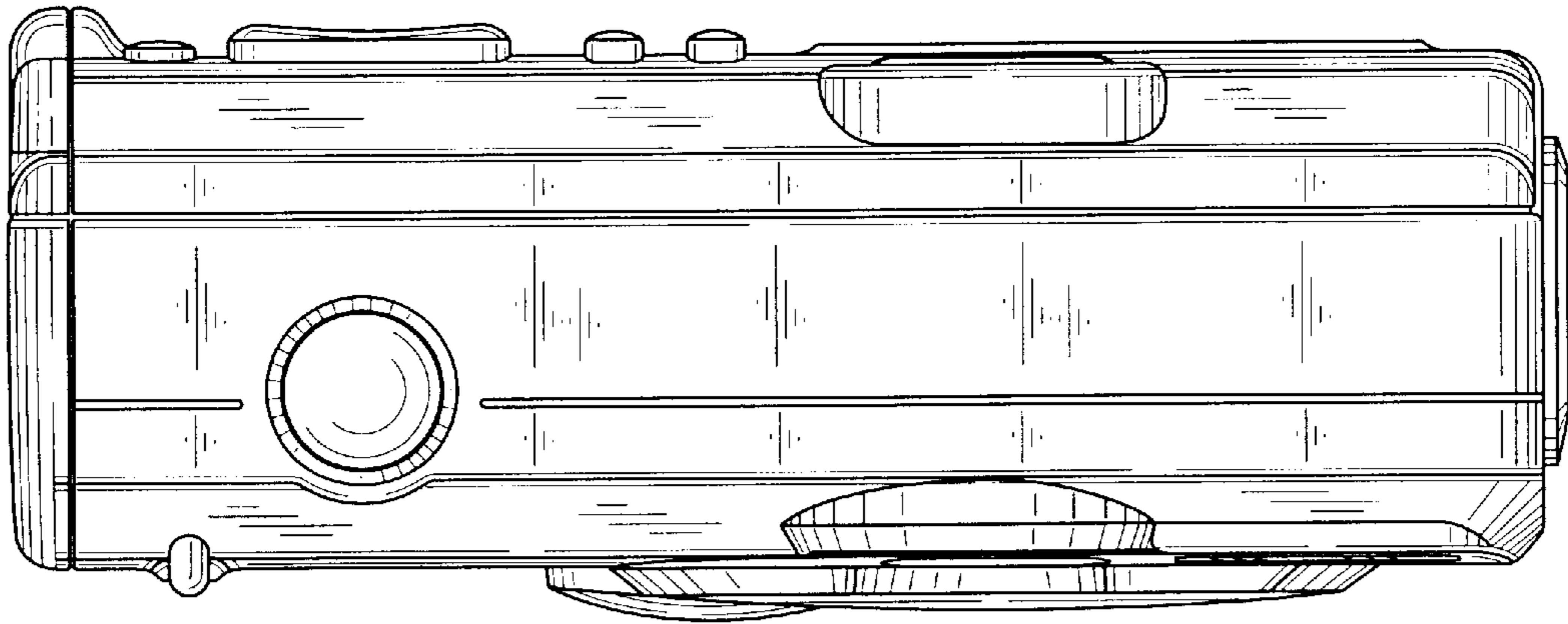


FIG. 4

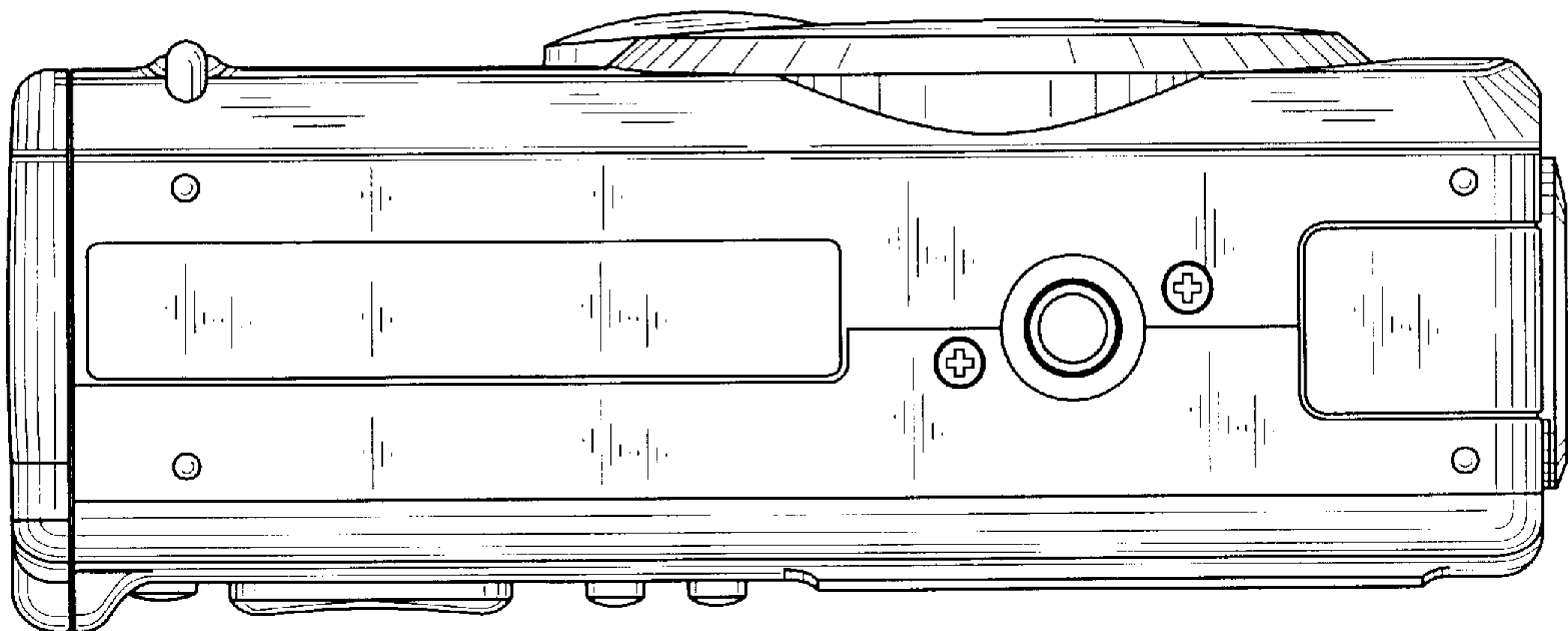


FIG. 5

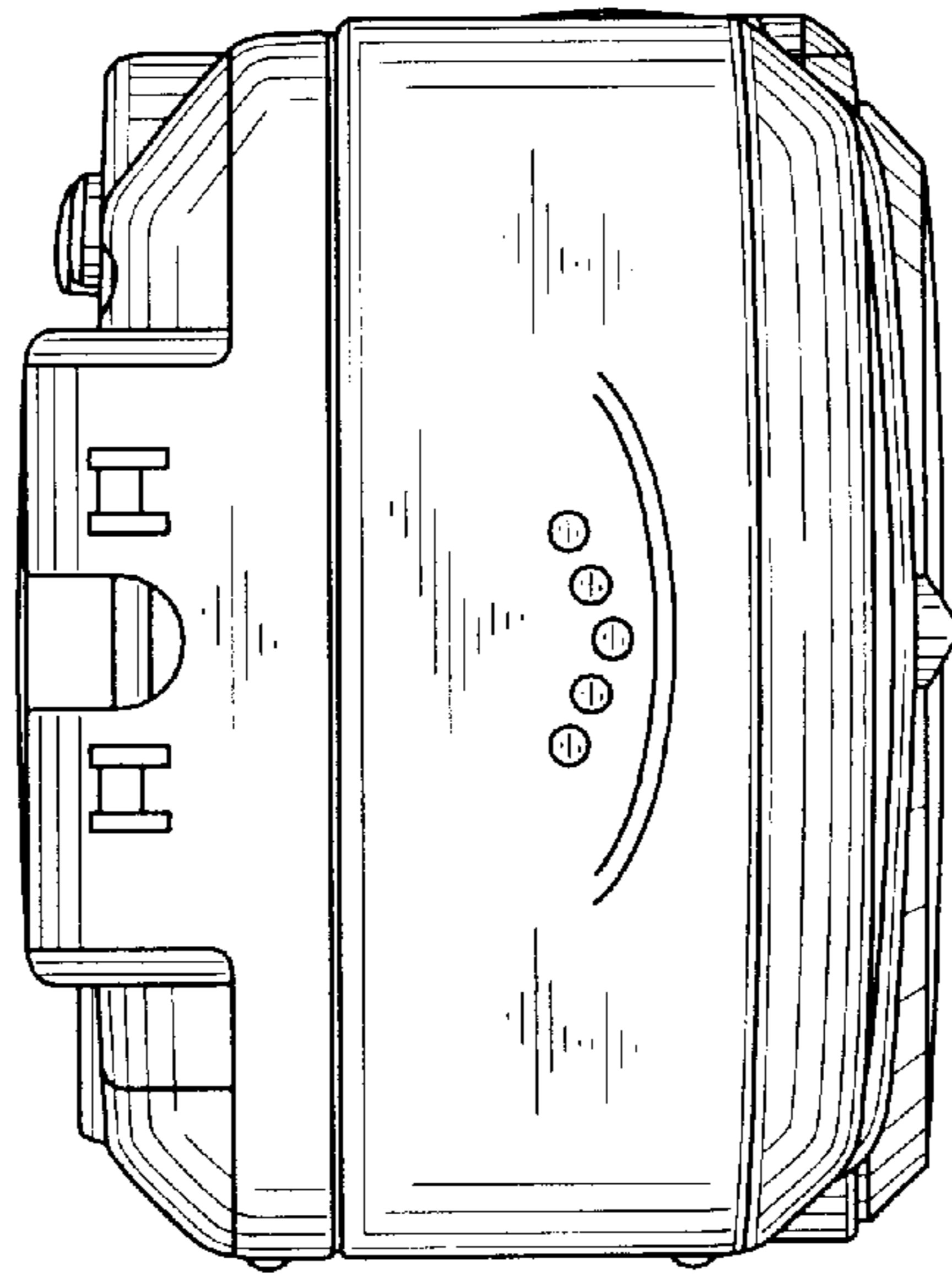


FIG. 6

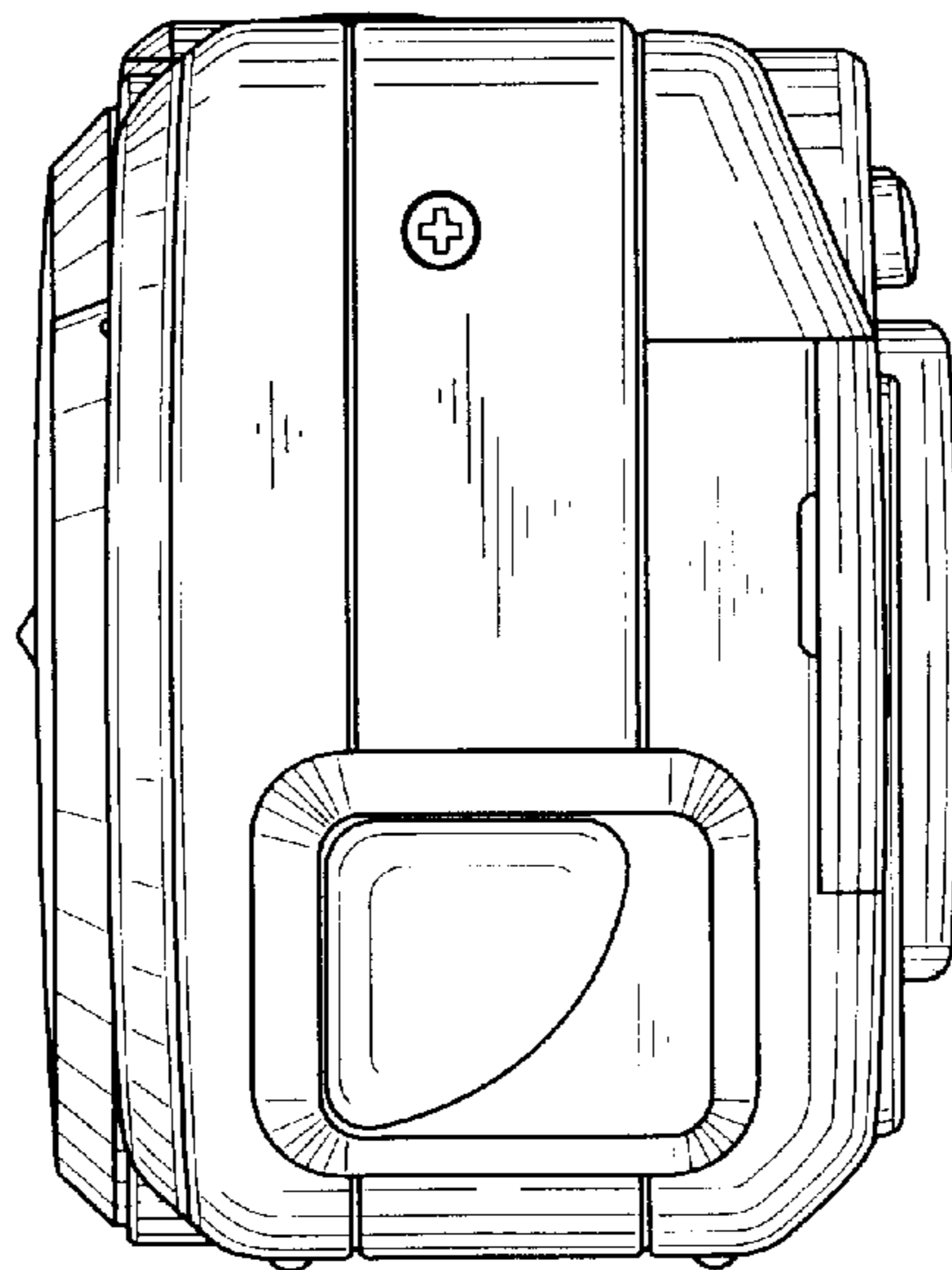


FIG. 7

