



US00D478603S

(12) **United States Design Patent**  
**Tsergas**

(10) **Patent No.:** **US D478,603 S**

(45) **Date of Patent:** **\*\* Aug. 19, 2003**

(54) **COMPACT GEAR BOX**

(75) **Inventor:** **Athanase N. Tsergas**, Wood Dale, IL (US)

(73) **Assignee:** **Molon Motor & Coil Corporation**, Rolling Meadows, IL (US)

(\*\*) **Term:** **14 Years**

(21) **Appl. No.:** **29/165,821**

(22) **Filed:** **Aug. 19, 2002**

(51) **LOC (7) Cl.** ..... **15-09**

(52) **U.S. Cl.** ..... **D15/148**

(58) **Field of Search** ..... D15/148, 149; 74/414, 412 R, 421 R; 251/248; 475/102

(56) **References Cited**

**U.S. PATENT DOCUMENTS**

- 3,299,741 A \* 1/1967 Twiford ..... 475/102
- 4,165,658 A \* 8/1979 Ueno et al. .... 74/412 R
- 4,434,606 A \* 3/1984 Rhodes et al. .... 74/410

- D278,824 S \* 5/1985 Votaw ..... D15/149
- D346,612 S \* 5/1994 Wong ..... D15/148
- D437,334 S \* 2/2001 Song ..... D15/148

\* cited by examiner

*Primary Examiner*—Antoine Duval Davis

(74) *Attorney, Agent, or Firm*—Oblon, Spivak, McClelland, Maier & Neustadt, P.C.

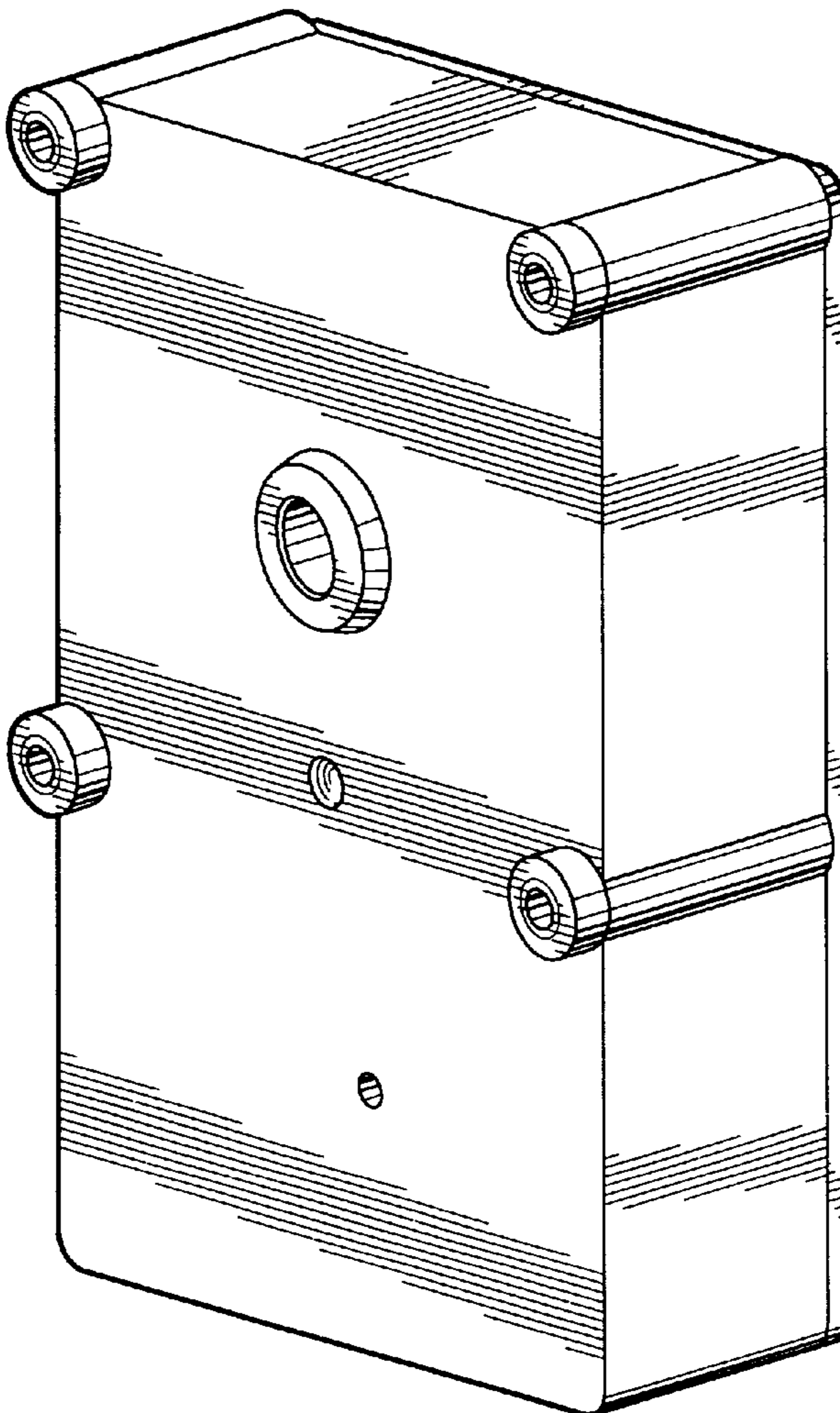
(57) **CLAIM**

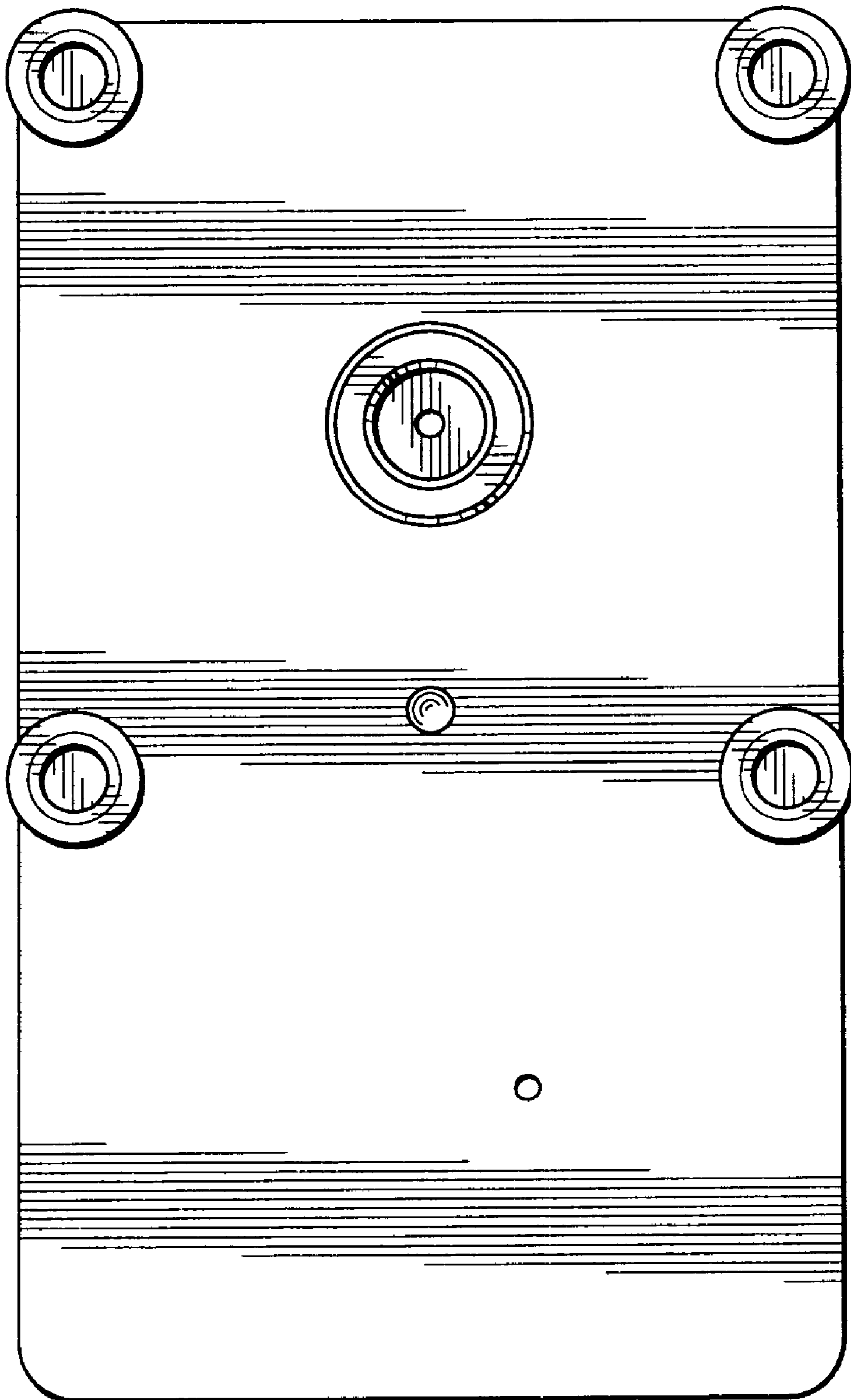
The ornamental design for a compact gear box, as shown and described.

**DESCRIPTION**

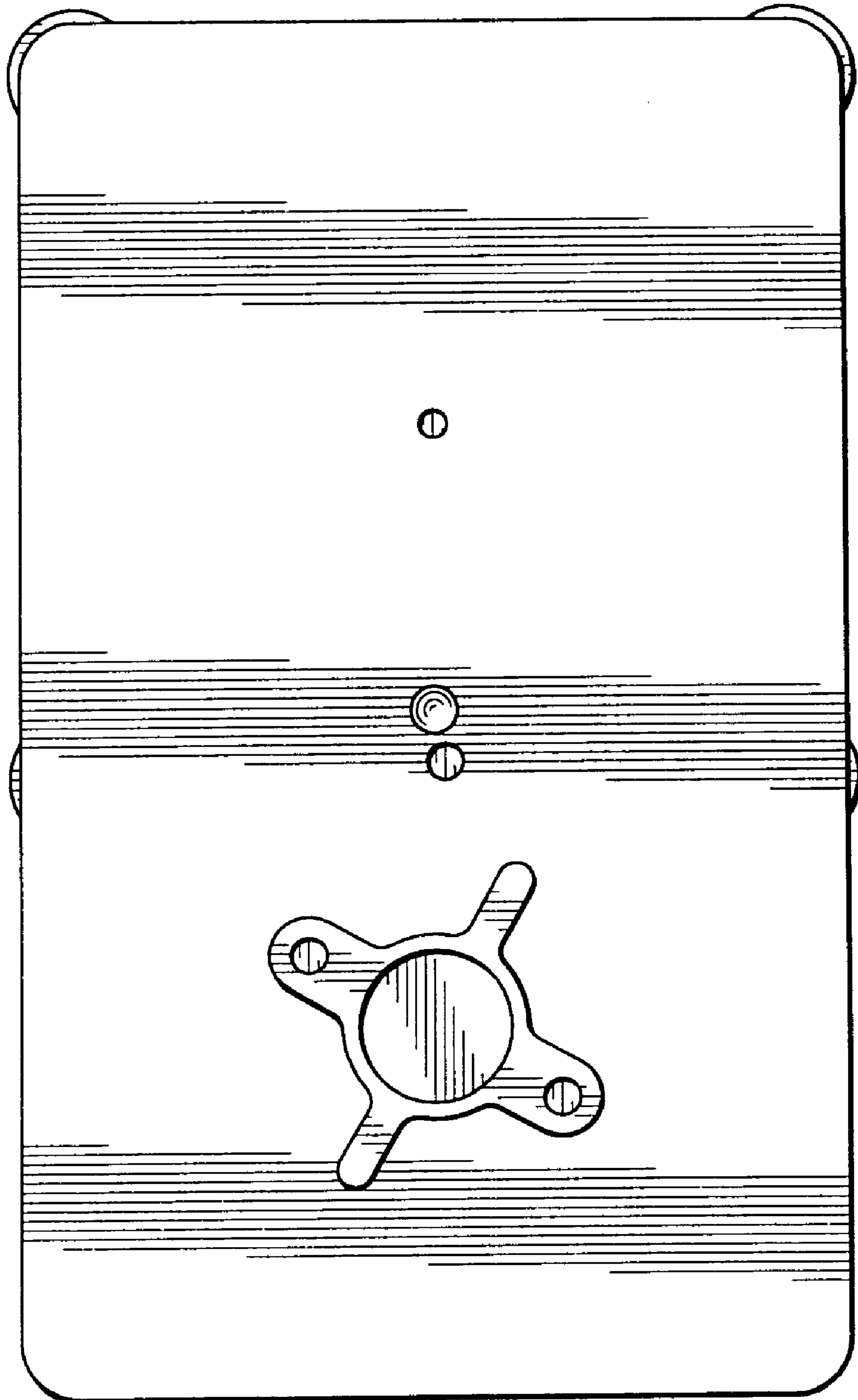
- FIG. 1 is a front elevational view of a compact gear box showing my new design.
- FIG. 2 is a rear elevational view thereof.
- FIG. 3 is a right side elevational view thereof.
- FIG. 4 is a left side elevational view thereof.
- FIG. 5 is a top plan view thereof.
- FIG. 6 is a bottom plan view thereof; and,
- FIG. 7 is a top, front, right side perspective view thereof.

**1 Claim, 5 Drawing Sheets**

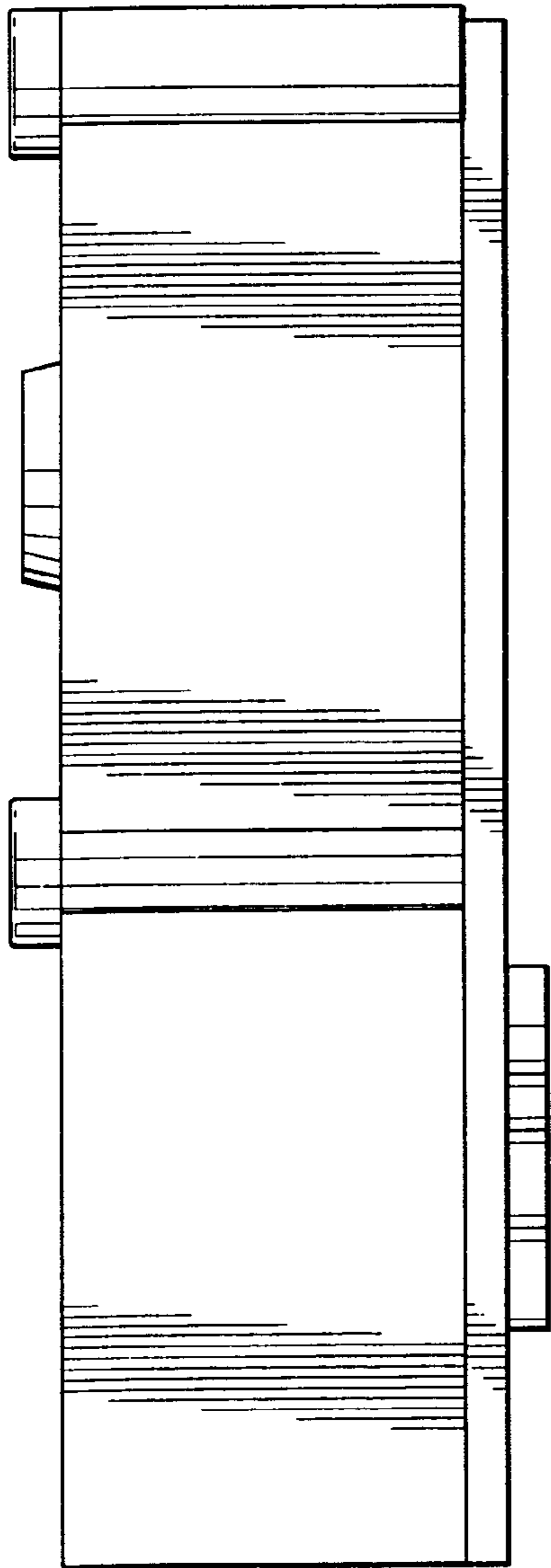




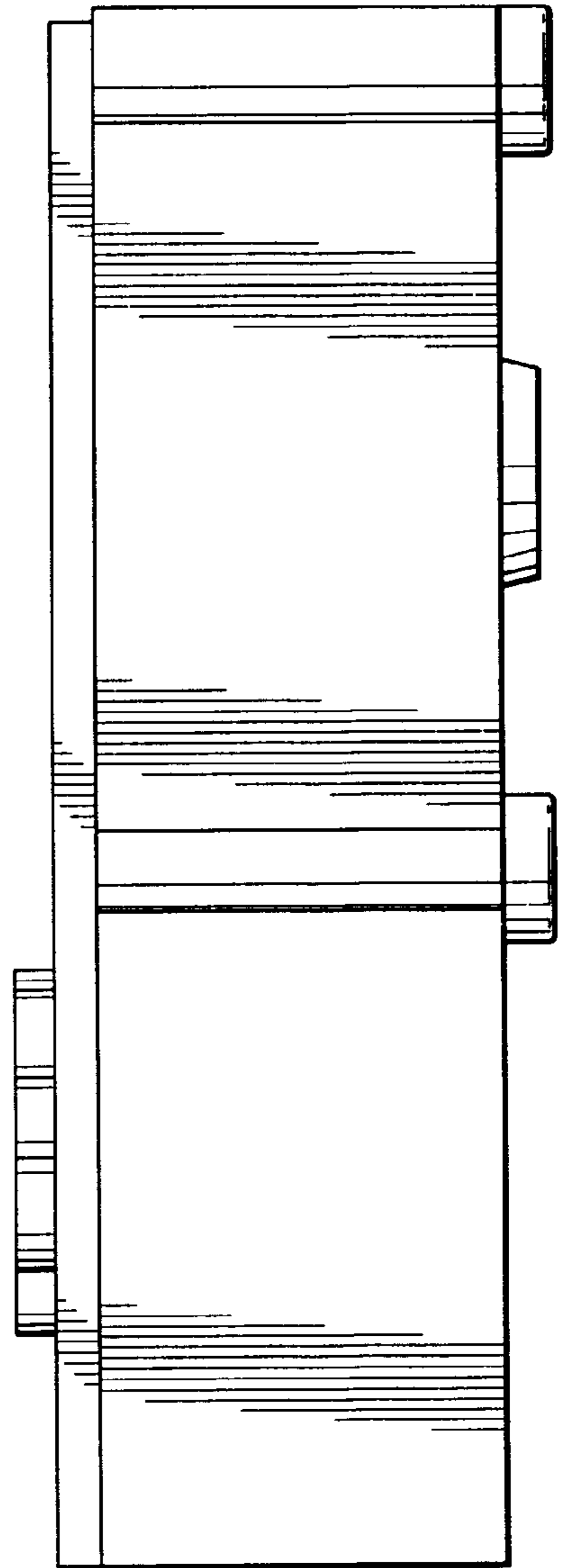
*FIG. 1*



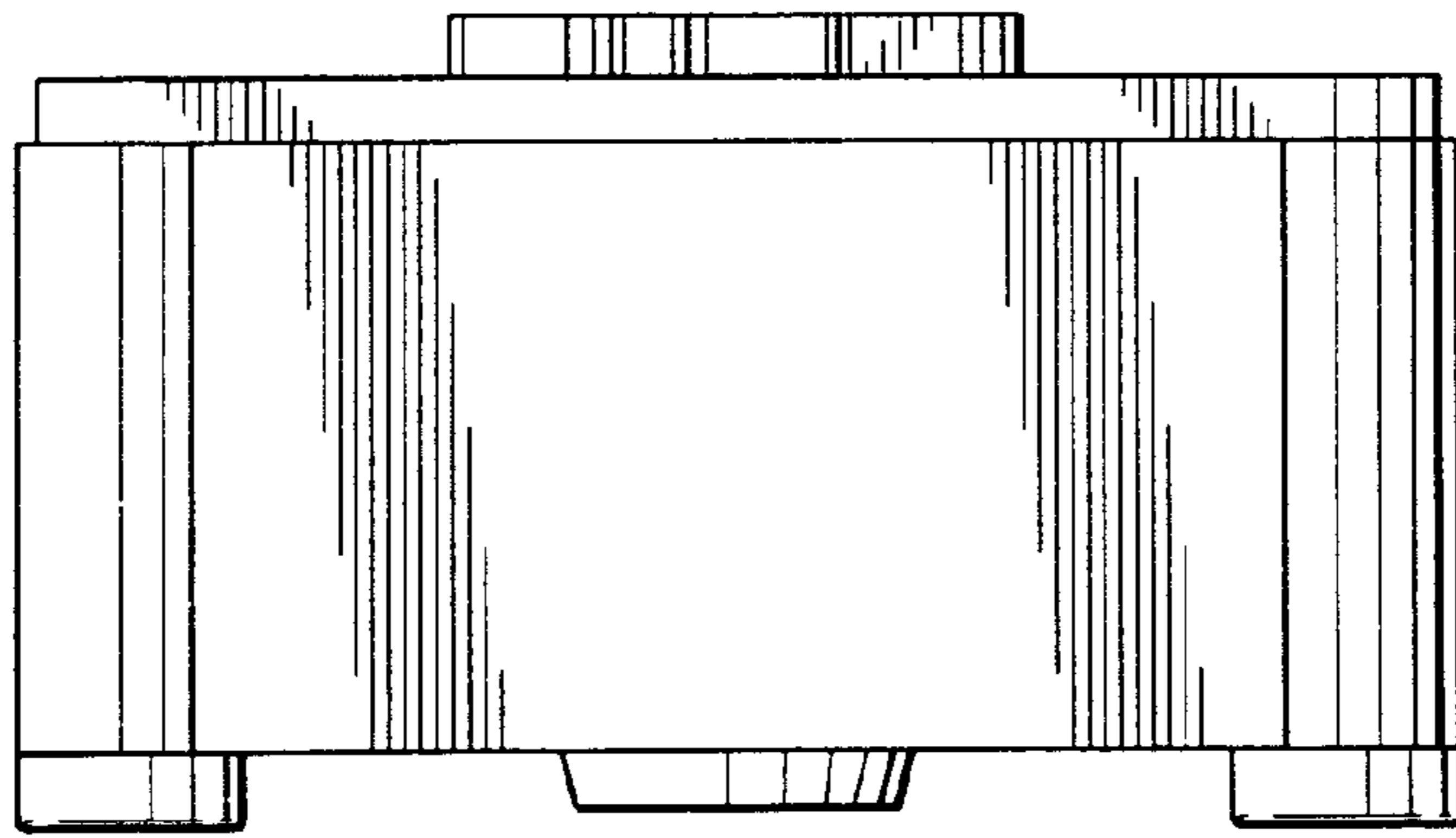
*FIG. 2*



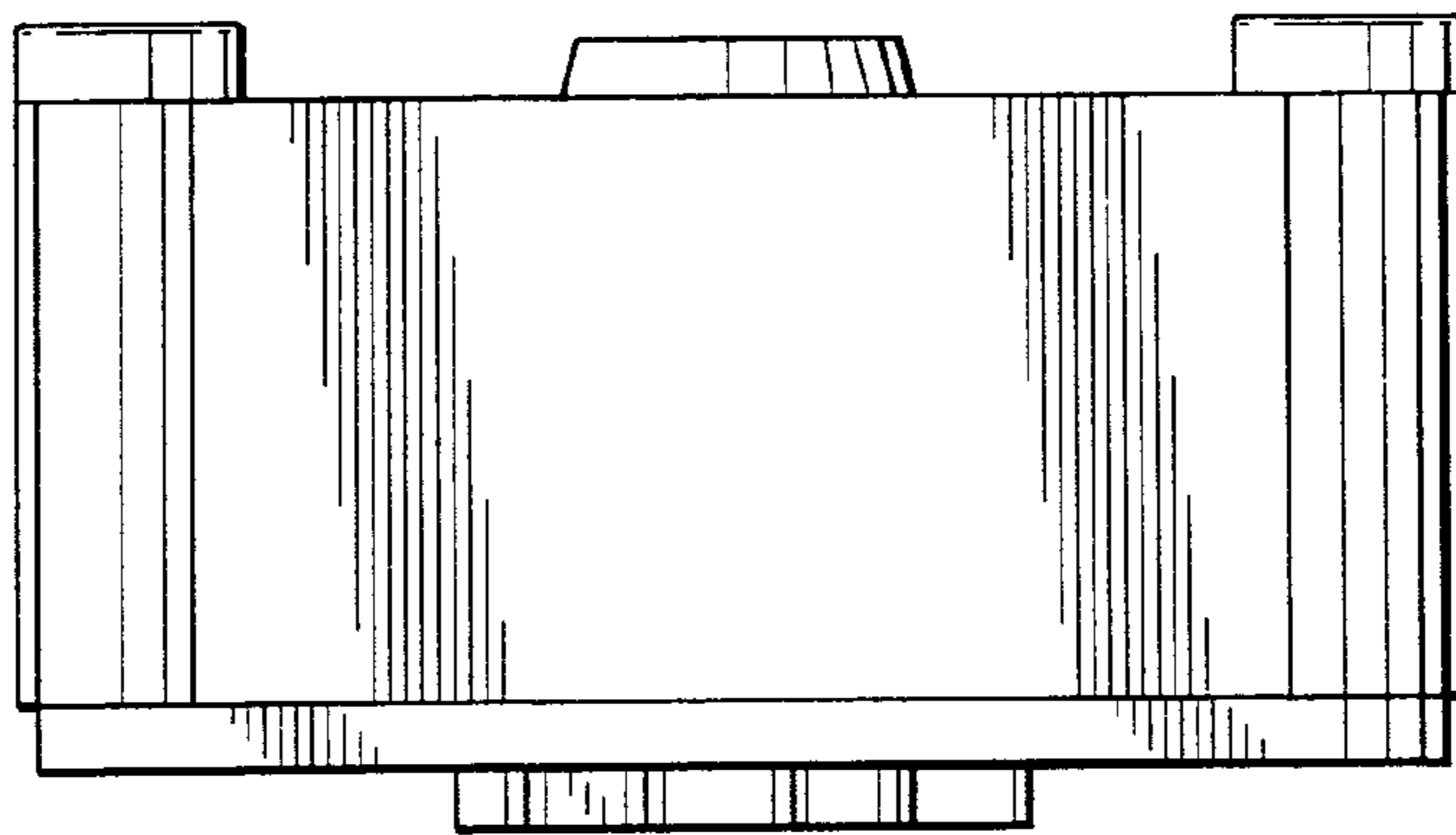
*FIG. 3*



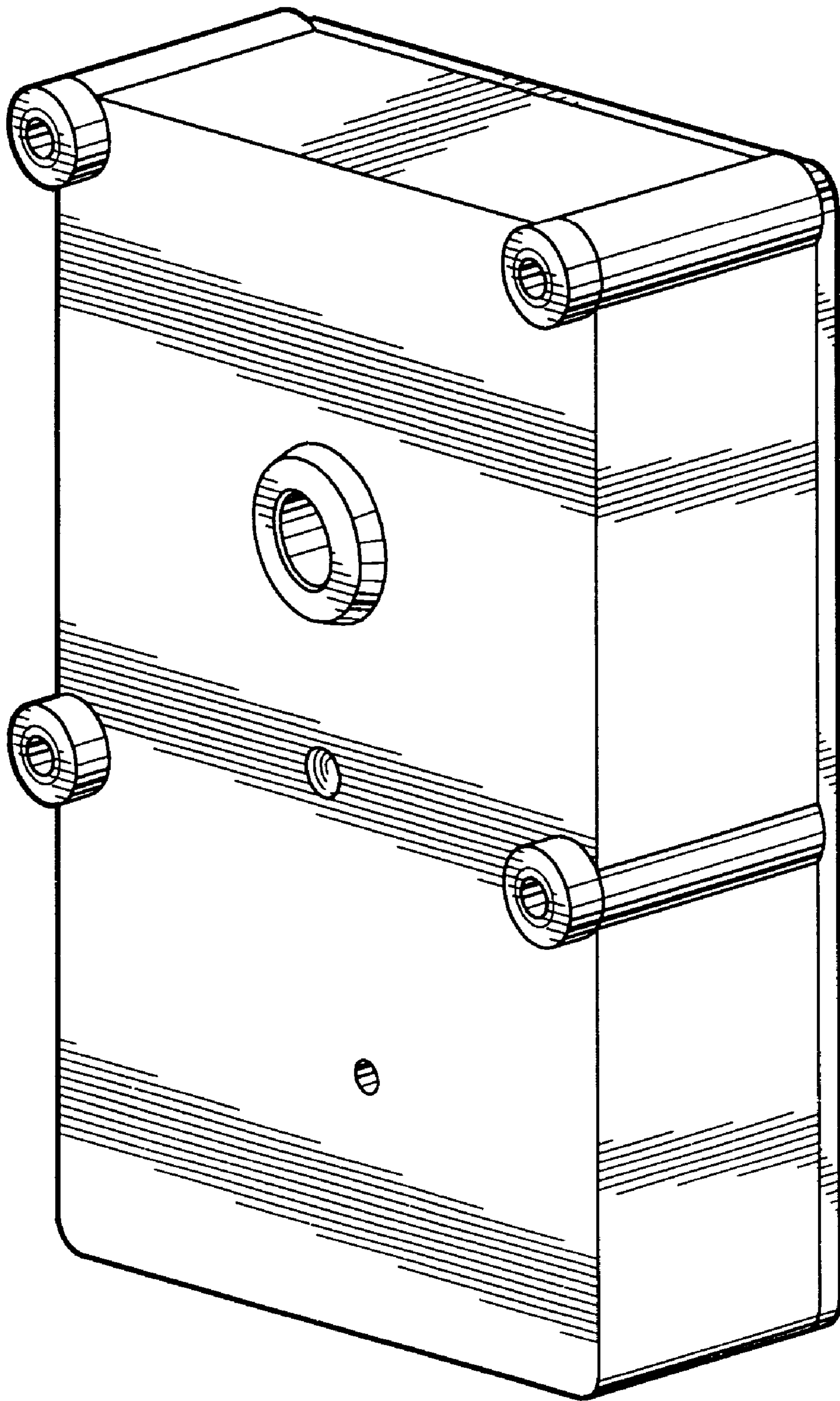
*FIG. 4*



*FIG. 5*



*FIG. 6*



*FIG. 7*